



US00D607988S

(12) **United States Design Patent**
Oleson et al.

(10) **Patent No.:** **US D607,988 S**
(45) **Date of Patent:** **** Jan. 12, 2010**

(54) **CEILING FAN**

(75) Inventors: **Richard A. Oleson**, Lexington, KY
(US); **Richard W. Fizer**, Lexington, KY
(US)

(73) Assignee: **Delta T Corporation**, Lexington, KY
(US)

(**) Term: **14 Years**

(21) Appl. No.: **29/336,132**

(22) Filed: **Apr. 29, 2009**

(51) **LOC (9) Cl.** **23-04**

(52) **U.S. Cl.** **D23/377**

(58) **Field of Classification Search** D23/377,
D23/379, 385, 411, 413; 416/5; D26/59,
D26/72, 81-88

See application file for complete search history.

(56) **References Cited**

U.S. PATENT DOCUMENTS

D298,454 S * 11/1988 Clyde-Mason D23/385
D303,425 S * 9/1989 Sonneman D23/385
D345,790 S * 4/1994 Caldwell D23/377

OTHER PUBLICATIONS

U.S. Appl. No. 12/399,428, filed Mar. 6, 2009, Smith et al.
Screenshots from <http://www.modernfan.com/pharos.html>, printed Jun. 26, 2009.
Screenshots from http://www.modernfan.com/pdf/pharos_cutsheet.pdf, printed Jun. 26, 2009.
Screenshots from <http://www.modernfan.com/flute.html>, printed Jun. 26, 2009.

Screenshots from http://www.modernfan.com/pdf/flute_cutsheet.pdf, printed, Jun. 26, 2009.

Screenshots from <http://www.modernfan.com/lapa.html>, printed Jun. 26, 2009.

Screenshots from http://www.modernfan.com/pdf/lapa_cutsheet.pdf, printed Jun. 26, 2009.

* cited by examiner

Primary Examiner—Lisa P Lichtenstein

(74) *Attorney, Agent, or Firm*—Frost Brown Todd LLC

(57) **CLAIM**

The ornamental design for a ceiling fan, as shown and described.

DESCRIPTION

FIG. 1 is a bottom perspective view of a ceiling fan, showing our new design;

FIG. 2 is a top perspective view thereof;

FIG. 3 is a top plan view thereof;

FIG. 4 is a bottom plan view thereof;

FIG. 5 is a back elevational view thereof;

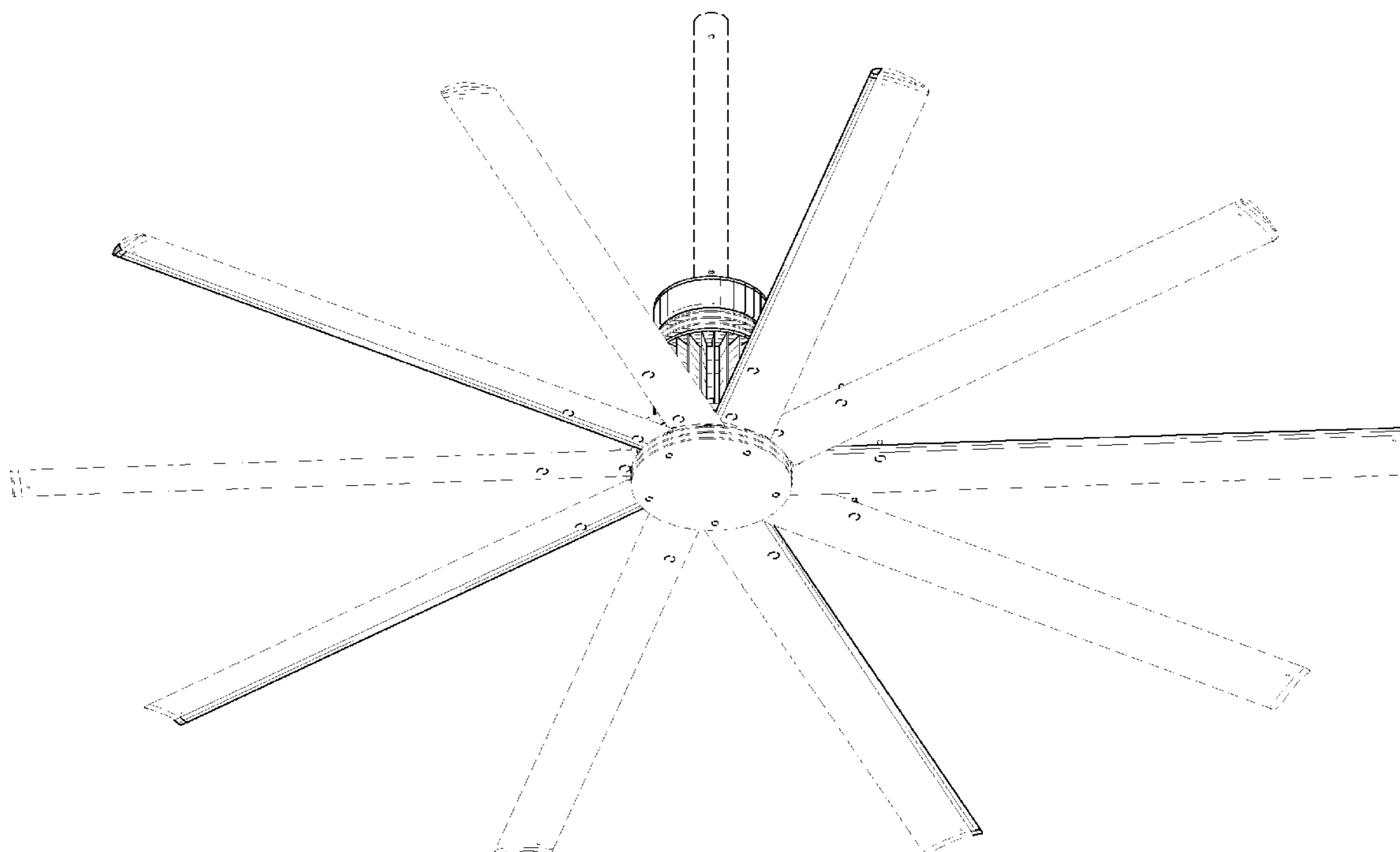
FIG. 6 is a front elevational view thereof;

FIG. 7 is a left elevational view thereof; and,

FIG. 8 is a right elevational view thereof.

The mounting tube, fan blades, fan blade portions, lower plates, retainers, and fasteners shown in broken lines are unclaimed environment, and form no part of the claimed design.

1 Claim, 8 Drawing Sheets



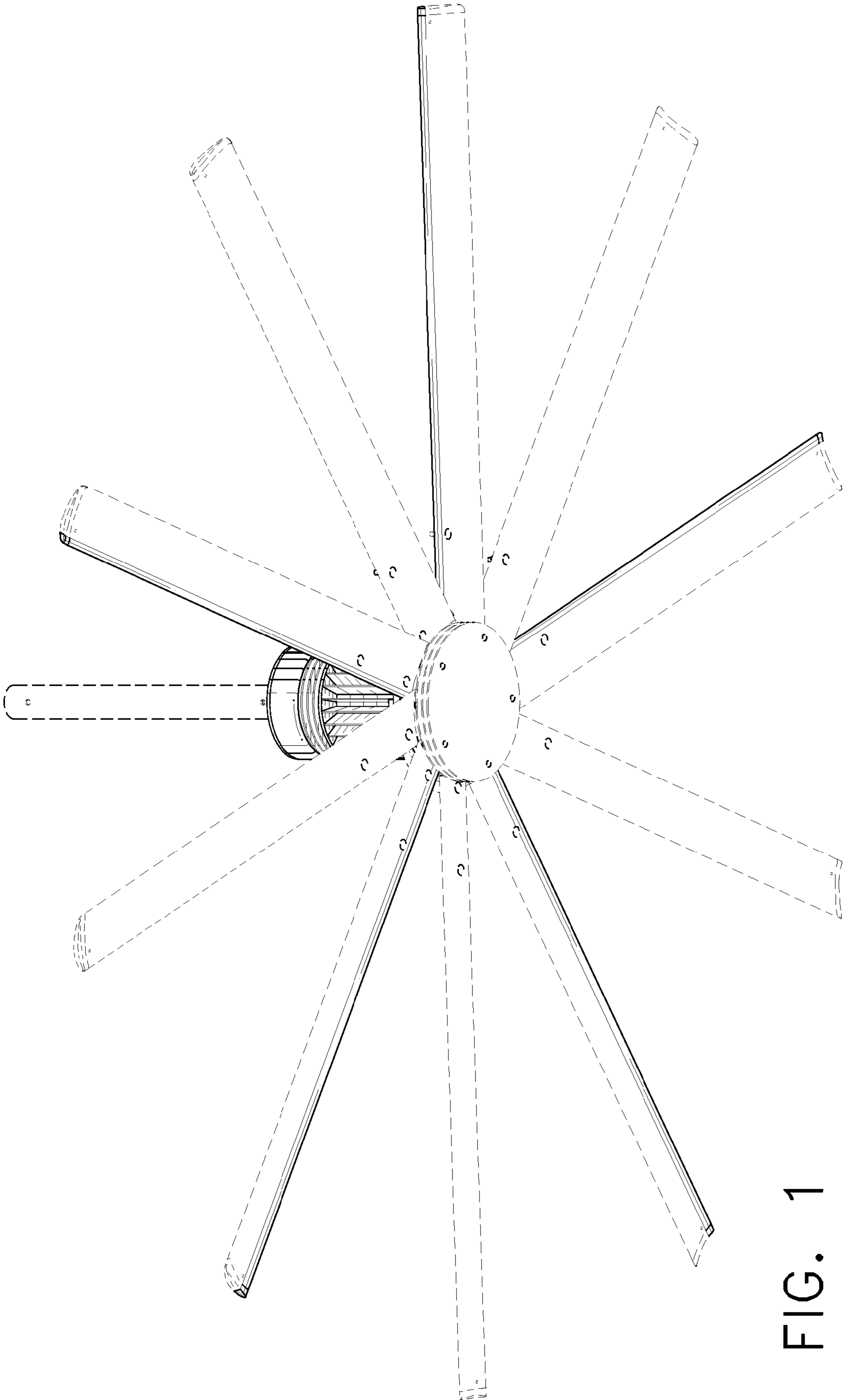


FIG. 1

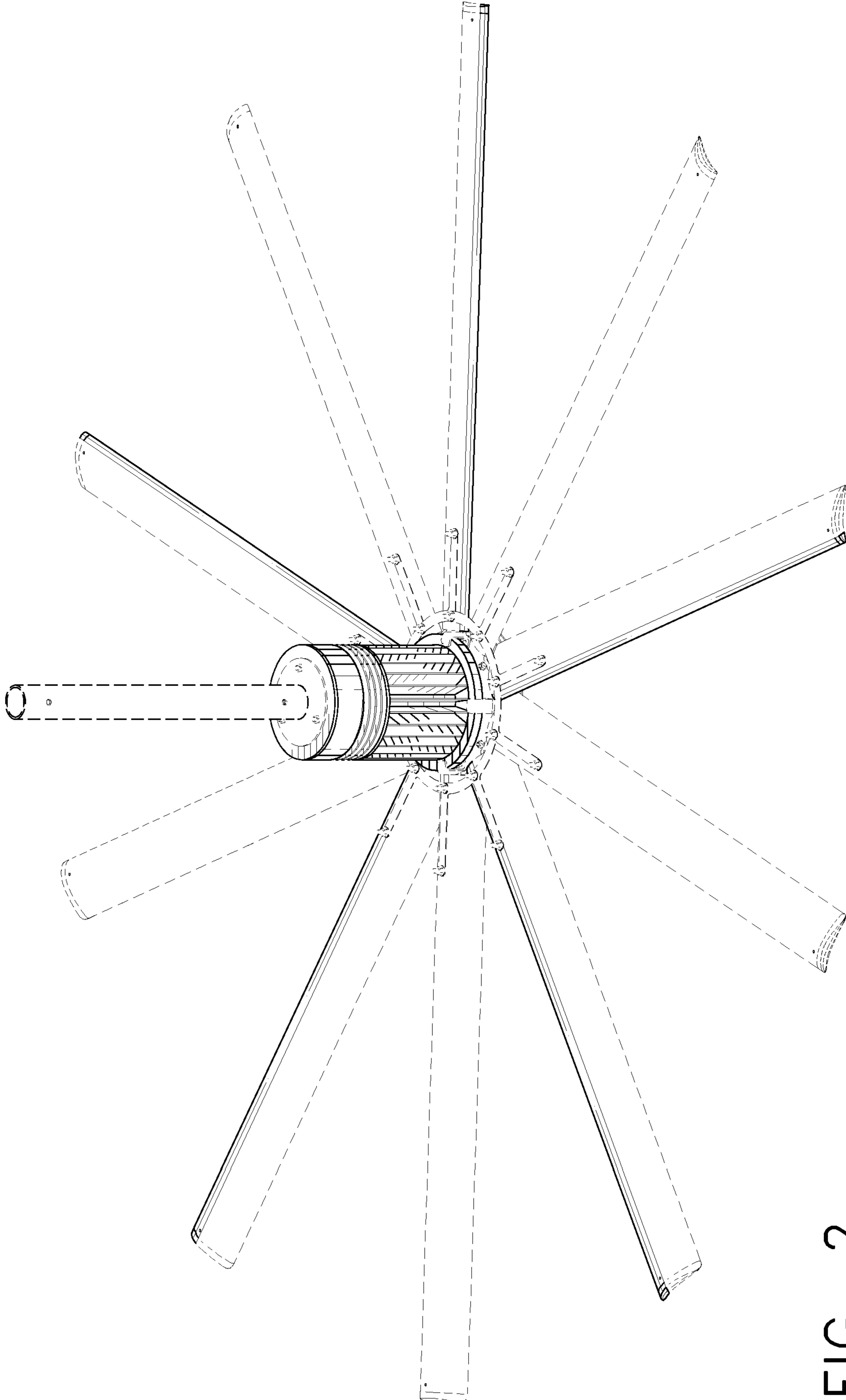


FIG. 2

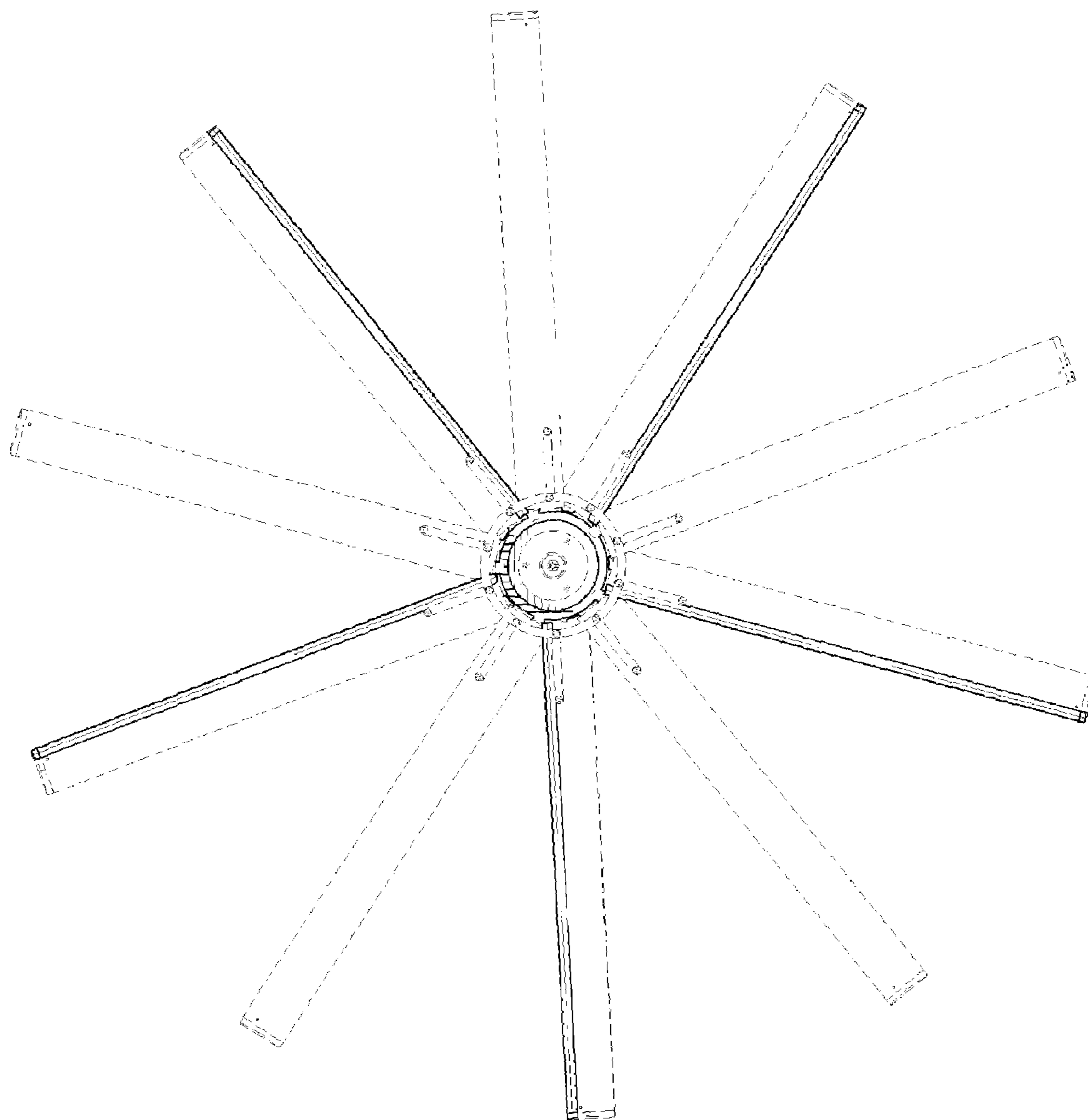


FIG. 3

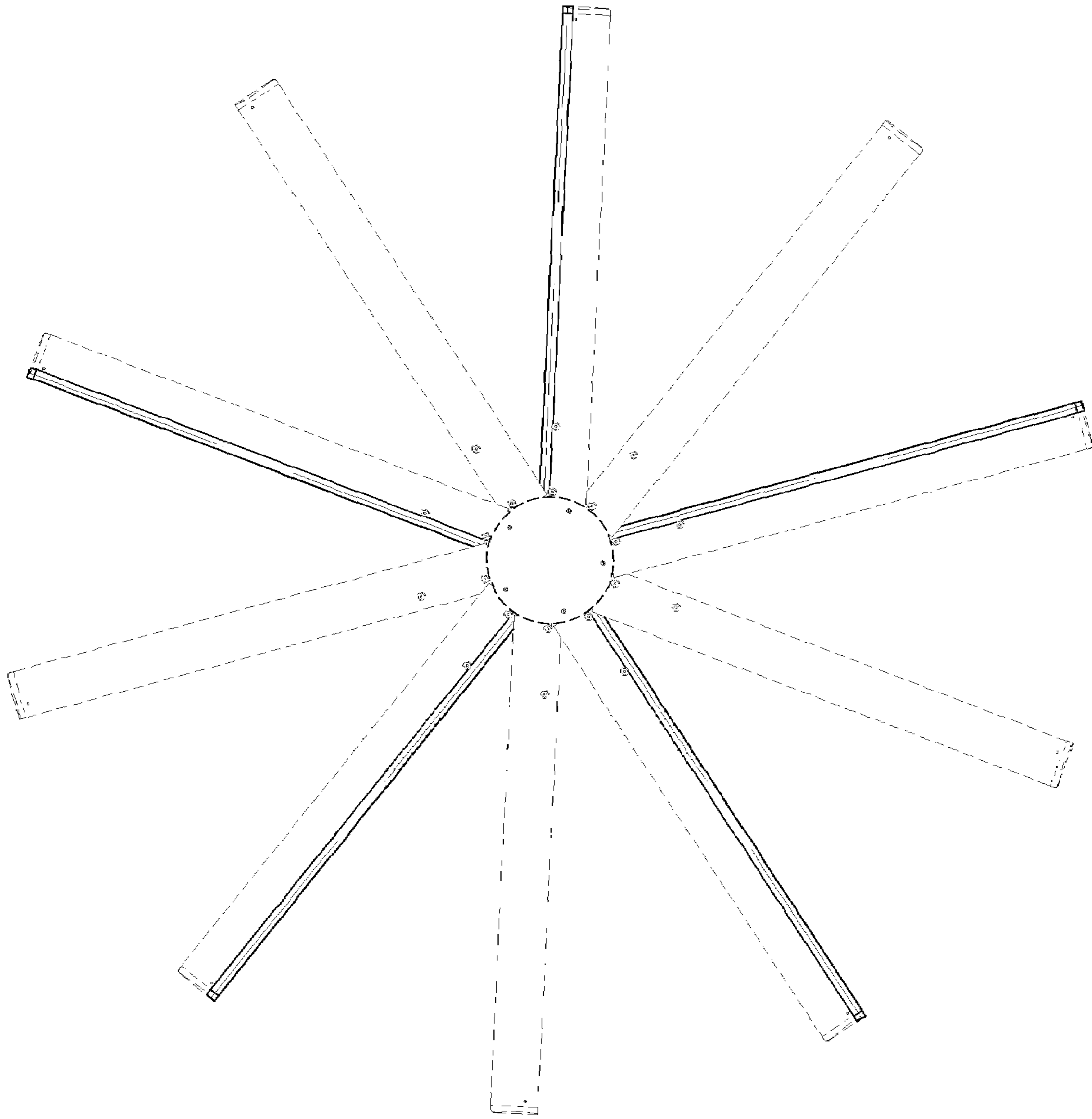


FIG. 4

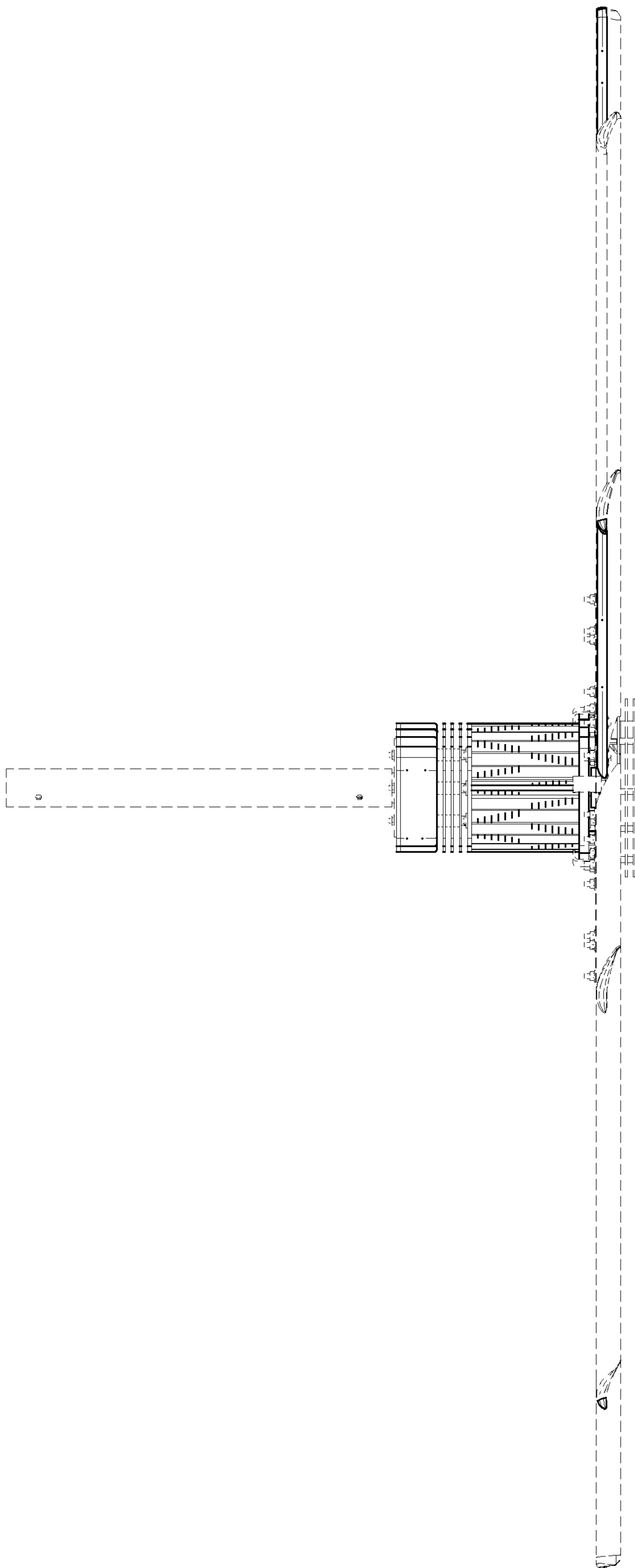


FIG. 5

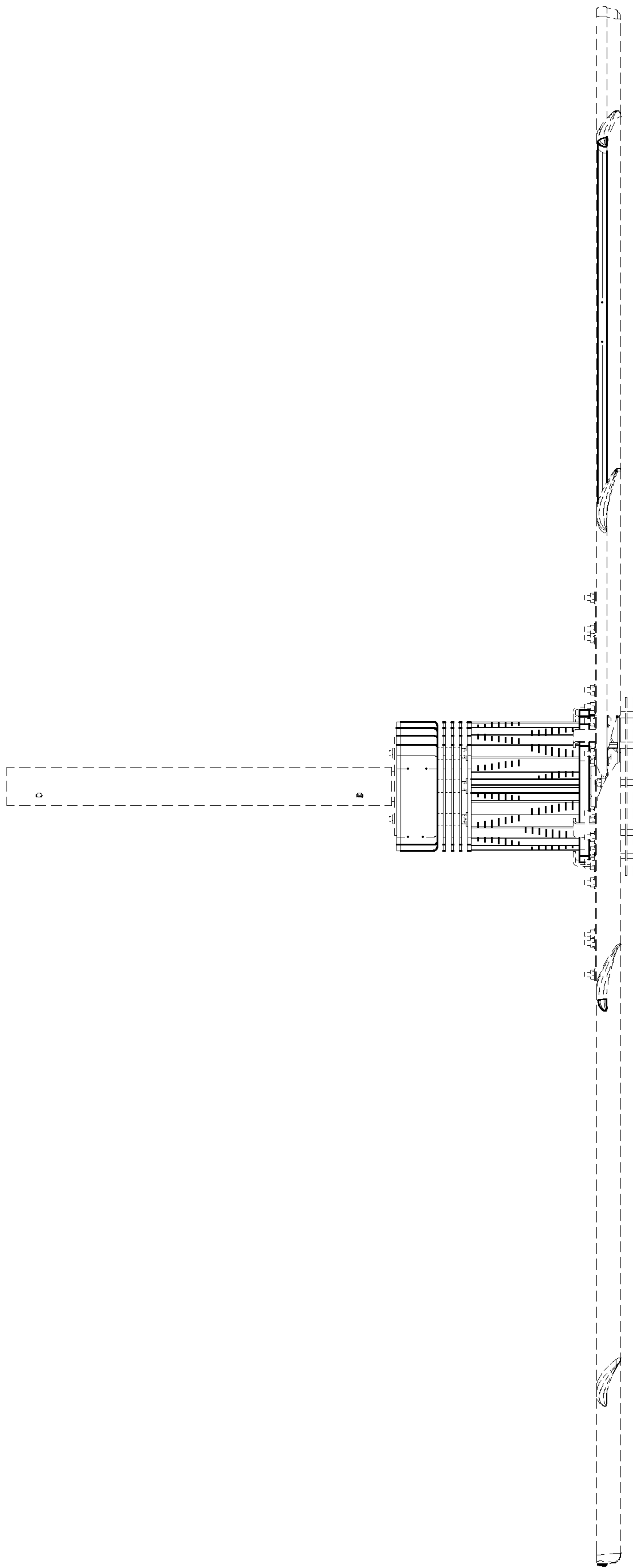


FIG. 6

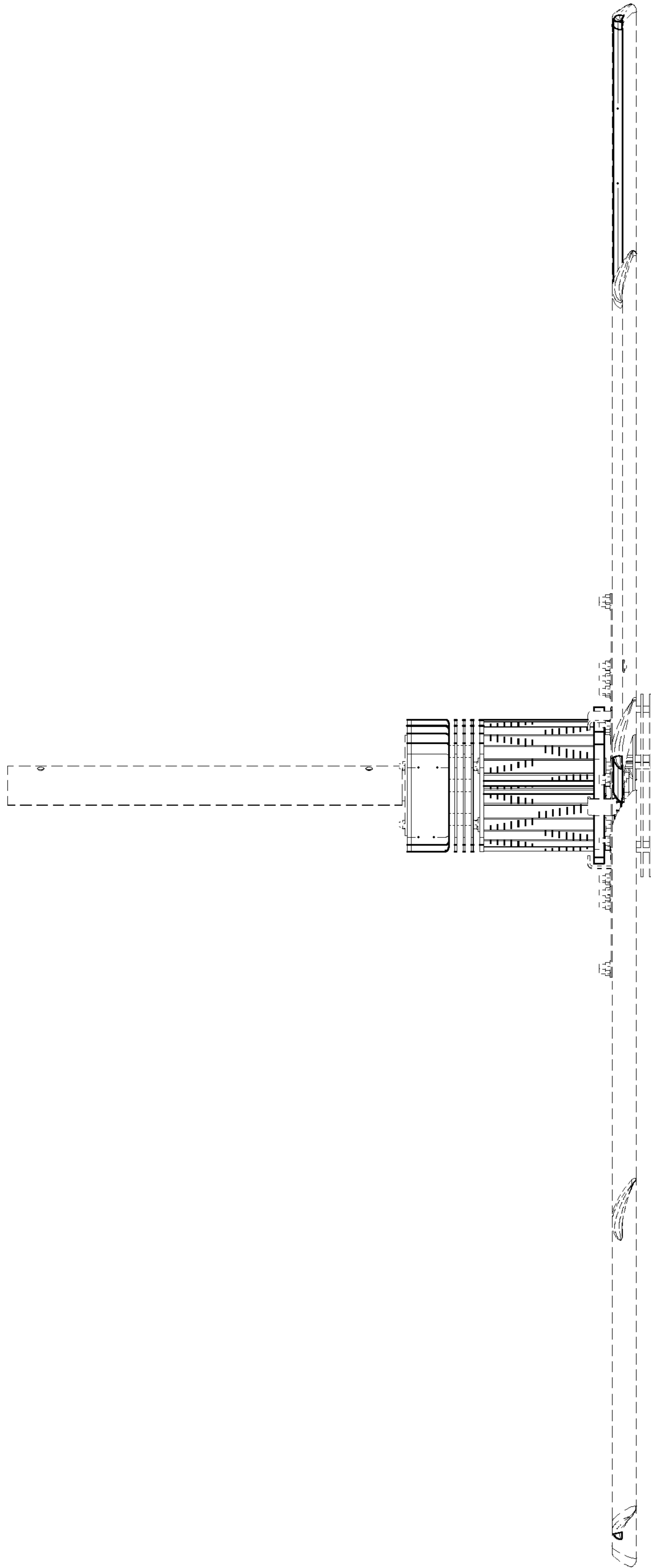


FIG. 7

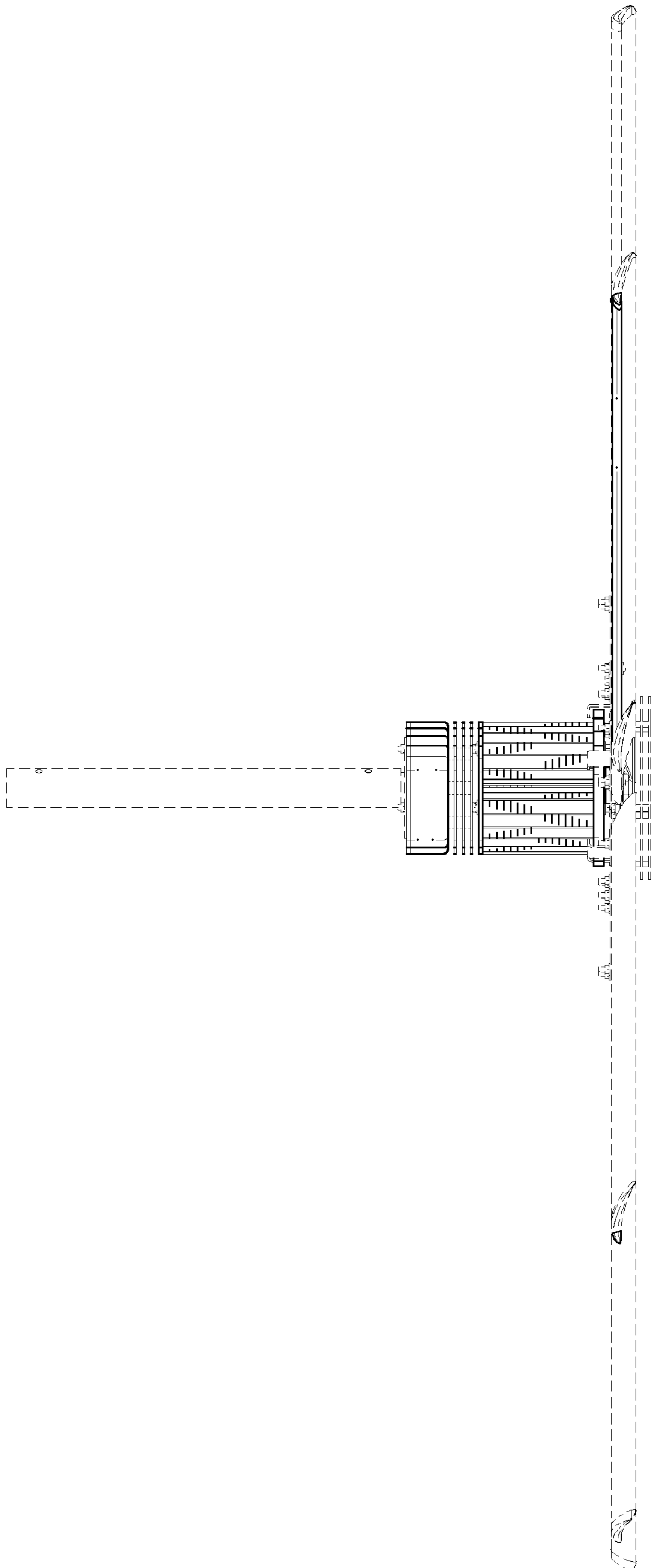


FIG. 8