



US00D607983S

(12) **United States Design Patent**
Irvin

(10) **Patent No.:** **US D607,983 S**
(45) **Date of Patent:** **** *Jan. 12, 2010**

(54) **DUAL SCENT AIR FRESHENER WITH
MANUAL COMBINER**

2007/0160492 A1 7/2007 Spector
2008/0128925 A1 6/2008 Pankhurst et al.

(75) Inventor: **Aaron Irvin**, Salt Lake City, UT (US)

FOREIGN PATENT DOCUMENTS

(73) Assignee: **American Covers, Inc.**, Bluffdale, UT
(US)

WO WO 2006/010282 2/2006

(*) Notice: This patent is subject to a terminal disclaimer.

OTHER PUBLICATIONS

(**) Term: **14 Years**

(21) Appl. No.: **29/331,512**

Scents & Sprays, www.scentsandsprays.com/ya..., Yankee Autumn Bounty Electric 2 Home Air Freshener, copyright 2001-2008 scentsandsprays.com, accessed Oct. 2, 2008, 1 page.
ecrater, www.ecrater.com/product.php?... , Yankee Candle Selects Two Scents Electric Fragrance Unit Macintosh/Home Sweet Home, accessed Oct. 2, 2008, 1 page.
Aromate E-News, Innovation in Novelty Fragrance, http://209.85.173.104/searsh?q=cach..., accessed Oct. 8, 2008, 2 pages.
ABOUT.COM Housekeeping, http://housekeeping.about.com/od/pr... affresh, Febreze Noticeables, accessed Oct. 2, 2008, 2 pages.
Irvin, Aaron, U.S. Appl. No. 29/331,515, filed Jan. 27, 2009.

(22) Filed: **Jan. 27, 2009**

(51) **LOC (9) Cl.** **28-99**

(52) **U.S. Cl.** **D23/366**

(58) **Field of Classification Search** D23/355-369;
261/DIG. 17, DIG. 42, DIG. 65, DIG. 88,
261/DIG. 89; 239/34-37, 44, 45, 53, 54,
239/57, 60, 136, 152, 302, 326; 392/386,
392/390, 392, 394, 395; D28/5, 6

See application file for complete search history.

* cited by examiner

Primary Examiner—Sandra Snapp
(74) *Attorney, Agent, or Firm*—Thorpe North & Western LLP

(56) **References Cited**

U.S. PATENT DOCUMENTS

5,050,798 A	9/1991	Sullivan	
5,114,625 A	5/1992	Gibson	
5,234,162 A	8/1993	Sullivan	
D410,540 S *	6/1999	Pinchuk	D23/364
D432,222 S *	10/2000	Rymer et al.	D23/366
6,325,475 B1	12/2001	Hayes et al.	
D472,968 S *	4/2003	Christianson	D23/364
D496,720 S *	9/2004	Dudley	D23/365
6,885,811 B2	4/2005	He et al.	
D504,943 S *	5/2005	Dudley	D23/365
7,055,764 B1	6/2006	Martinez et al.	
D544,080 S *	6/2007	Carlson	D23/364
D565,162 S *	3/2008	Carlson	D23/364
7,344,123 B2	3/2008	Pankhurst et al.	
D573,706 S *	7/2008	Zlotnik et al.	D23/366
D574,941 S *	8/2008	Weggelaar	D23/366
D580,039 S *	11/2008	Zlotnik et al.	D23/366
2004/0265164 A1	12/2004	Woo et al.	
2006/0078477 A1	4/2006	Althouse et al.	

(57) **CLAIM**

The ornamental design for a dual scent air freshener with manual combiner, as shown and described herein.

DESCRIPTION

FIG. 1 is an elevated, perspective view of the dual scent air freshener with manual combiner in accordance with my invention;

FIG. 2 is a front view thereof;

FIG. 3 is a rear view thereof;

FIG. 4 is a left side view thereof;

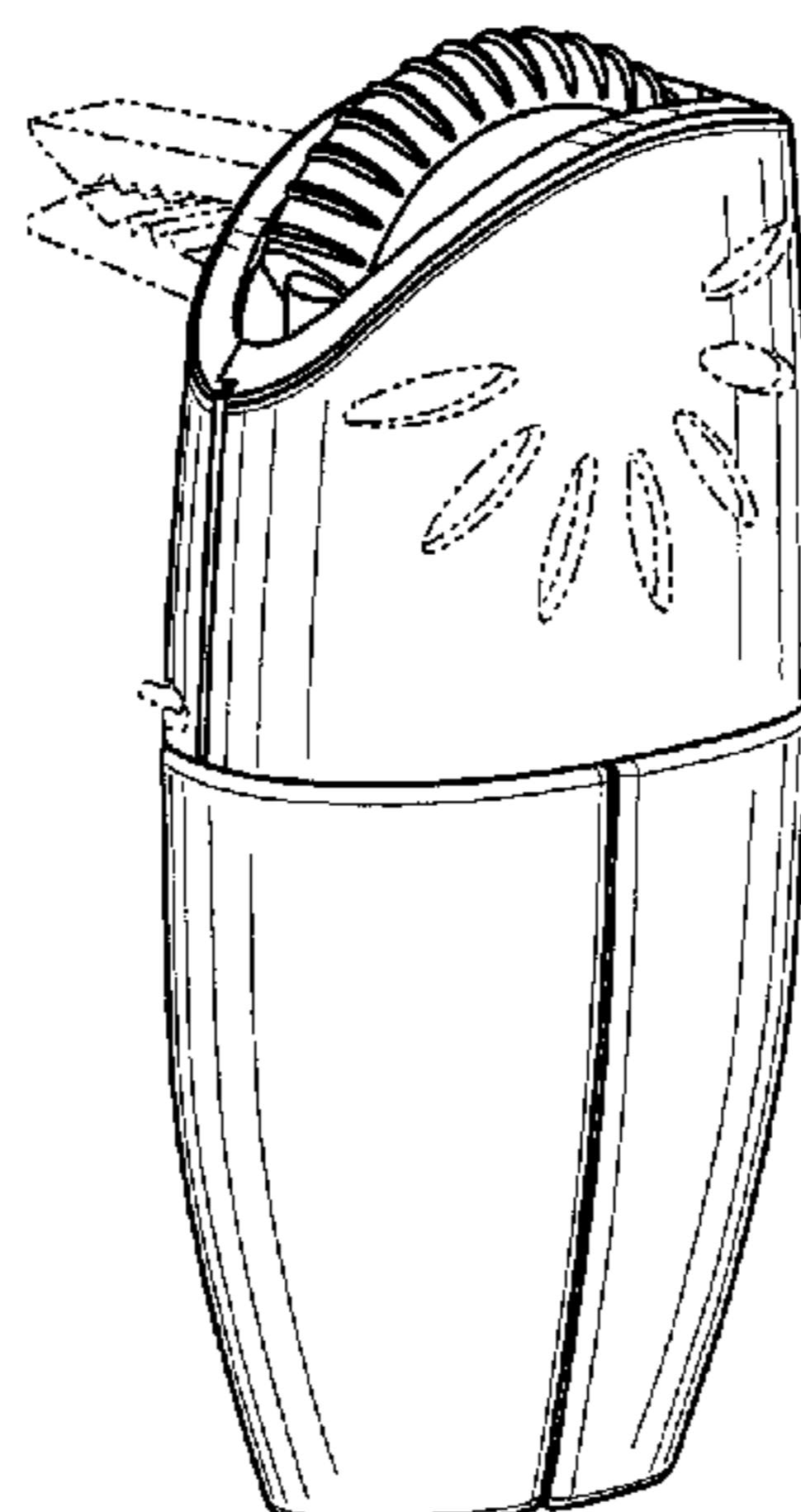
FIG. 5 is a right side view thereof;

FIG. 6 is a top view thereof; and,

FIG. 7 is a bottom view thereof.

The broken lines shown in FIGS. 1-7 are for illustrative purposes only and form no part of the claimed design.

1 Claim, 2 Drawing Sheets



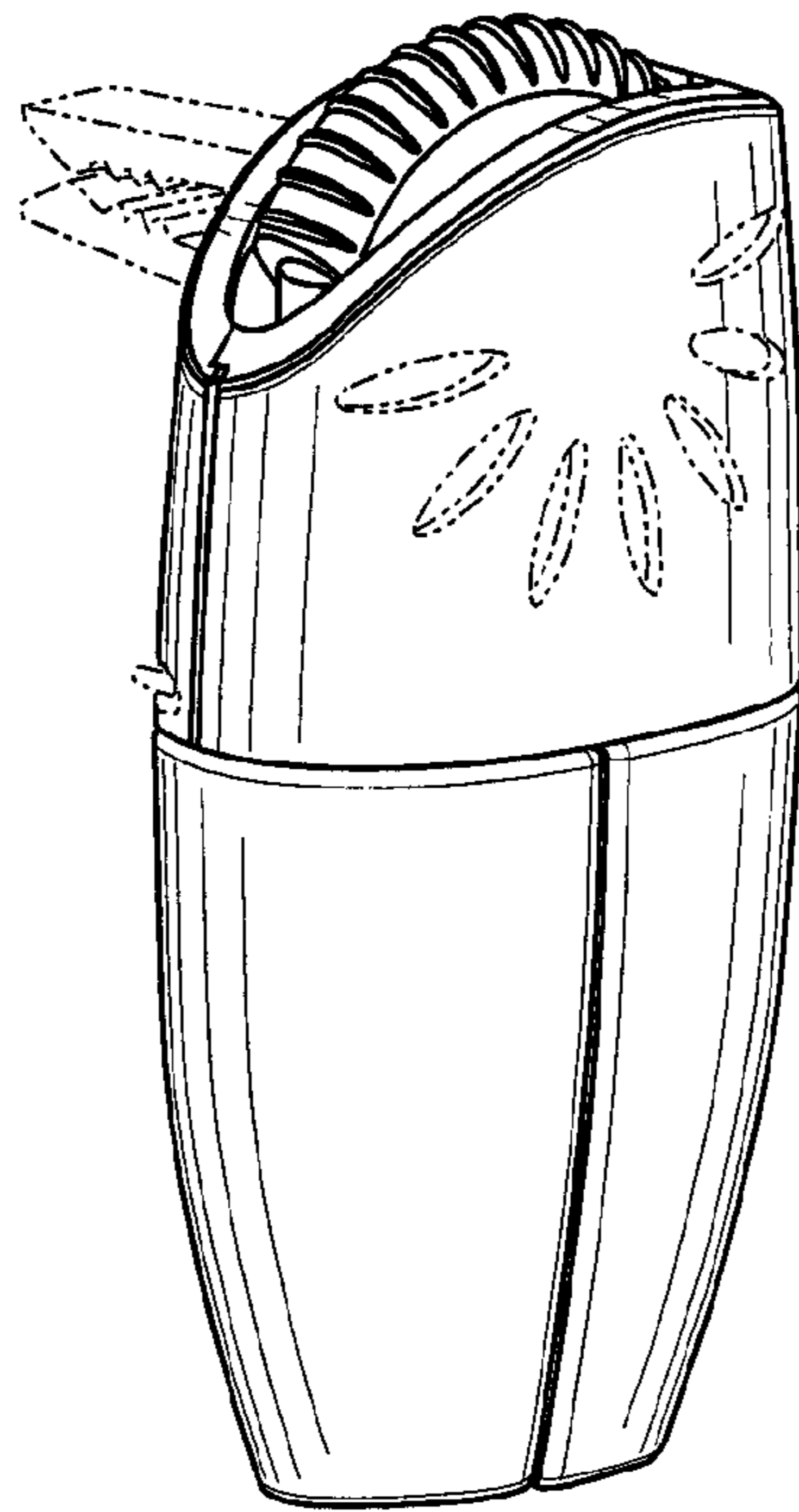


FIG. 1

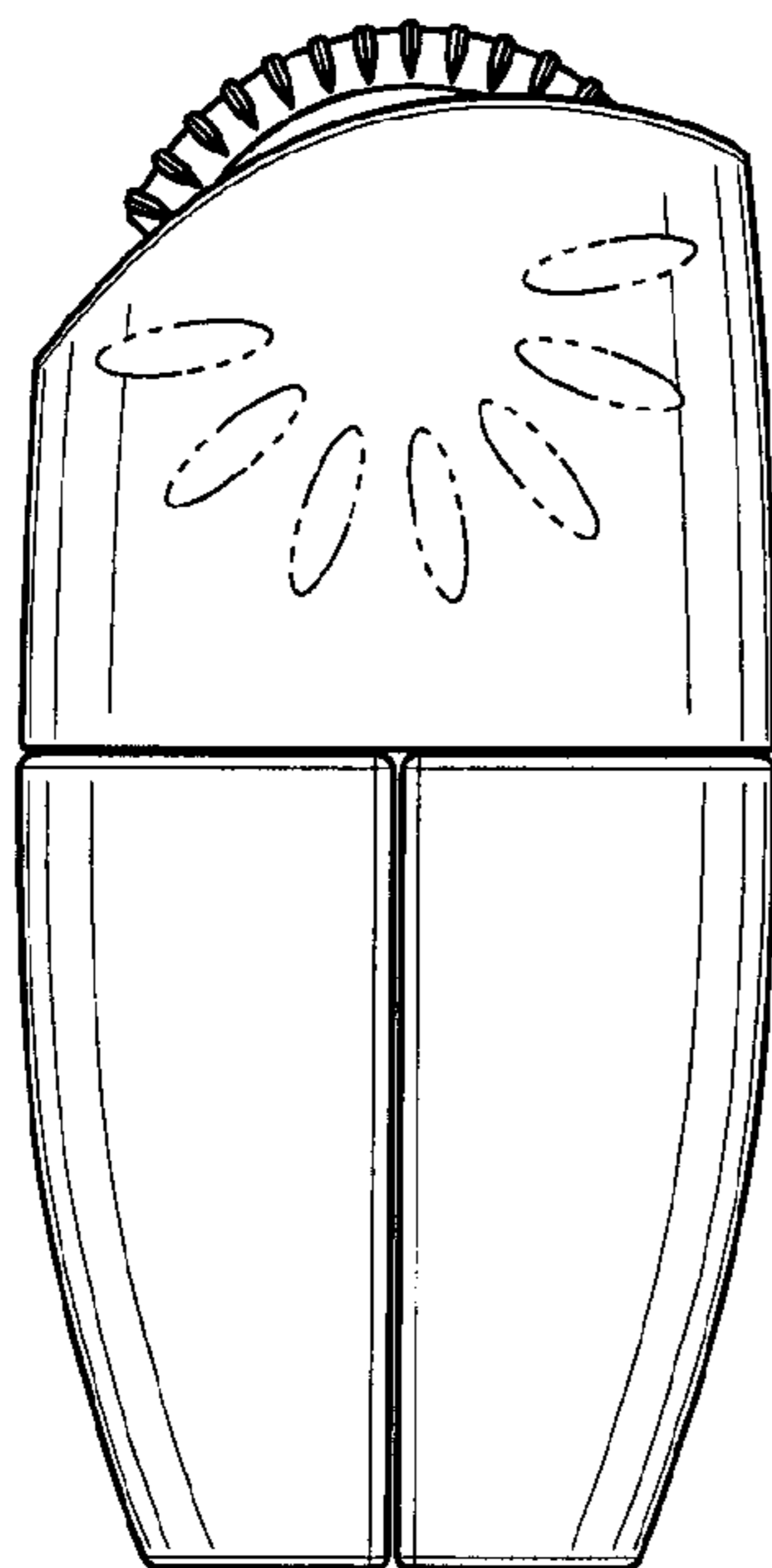


FIG. 2

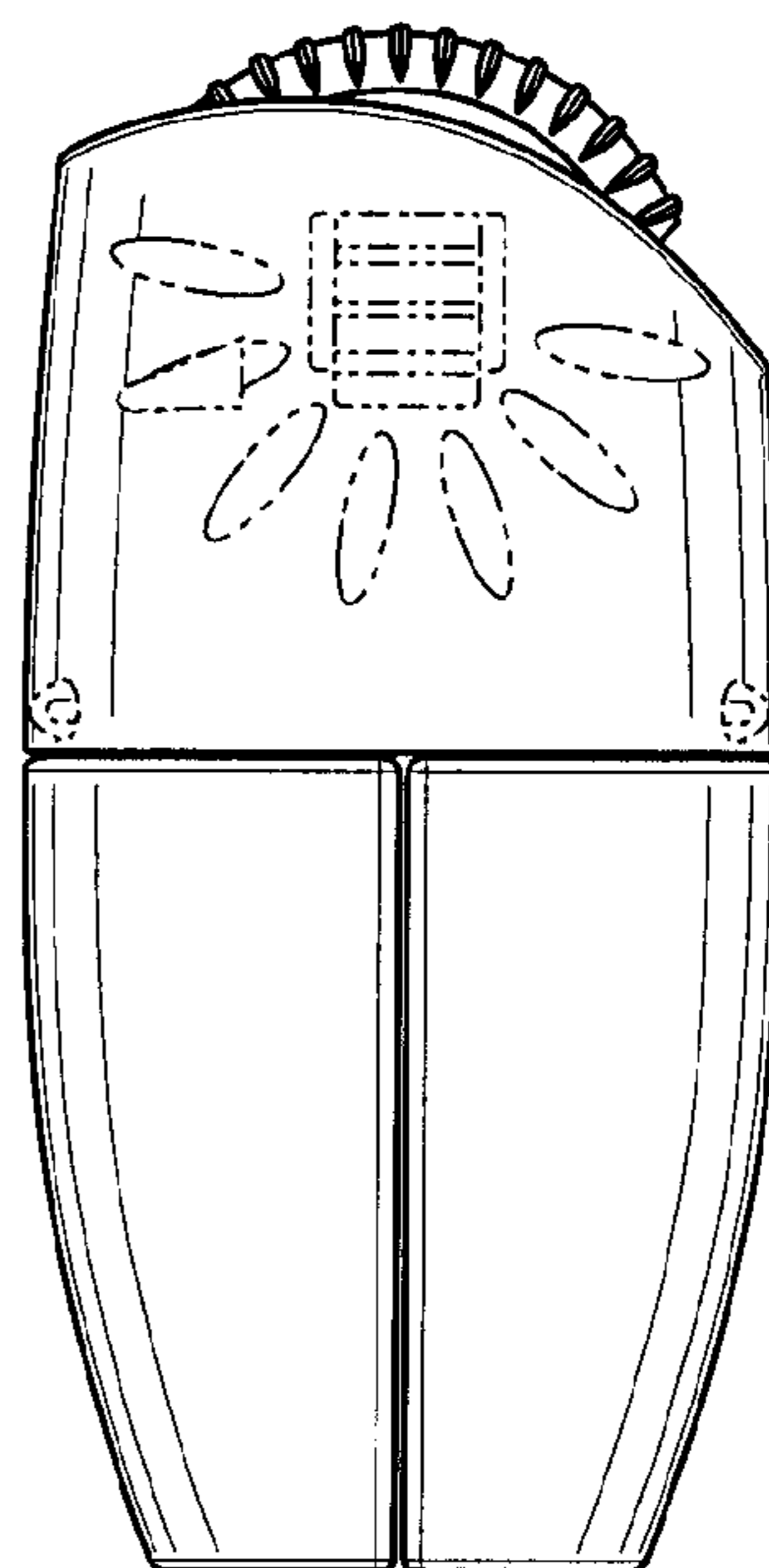


FIG. 3

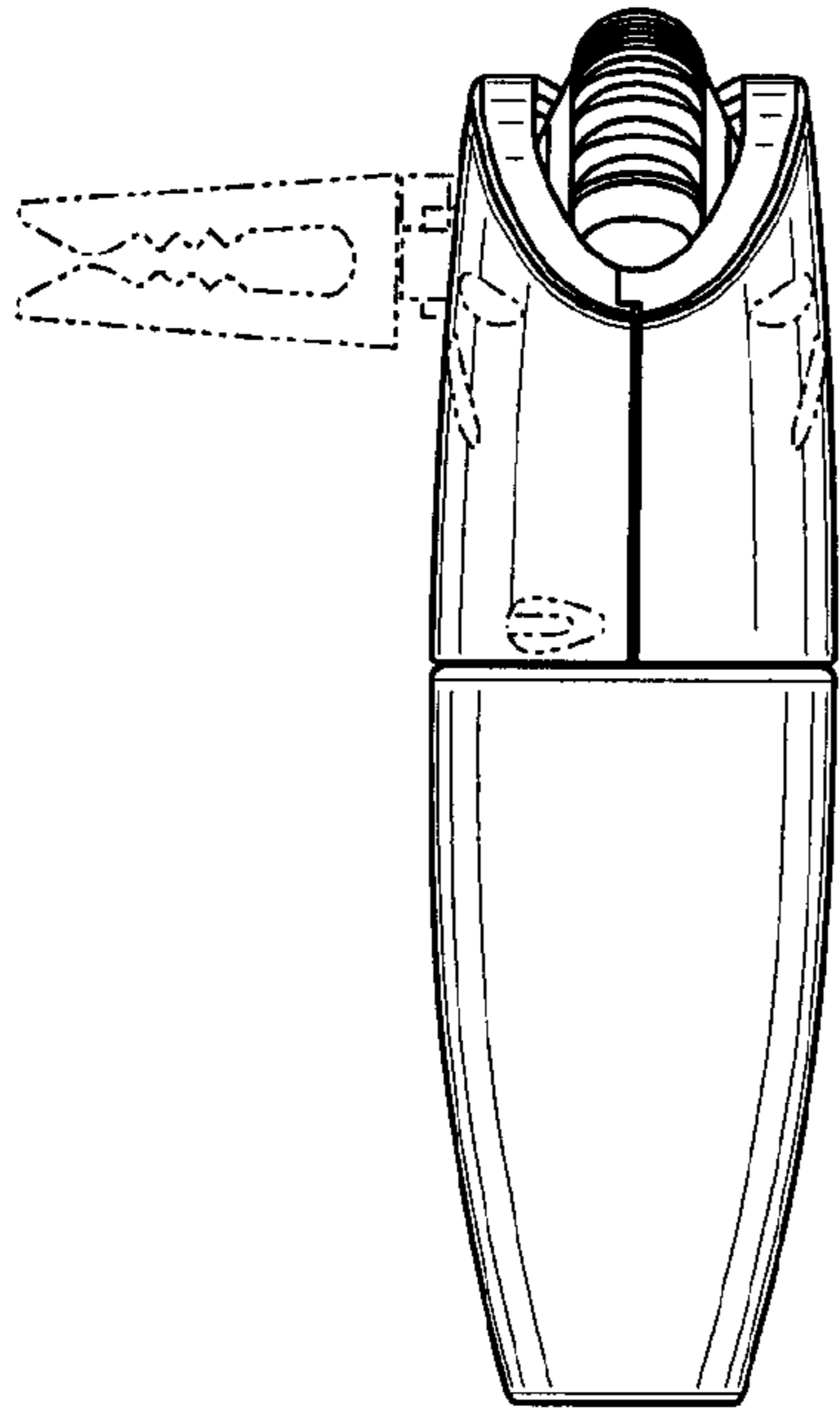


FIG. 4

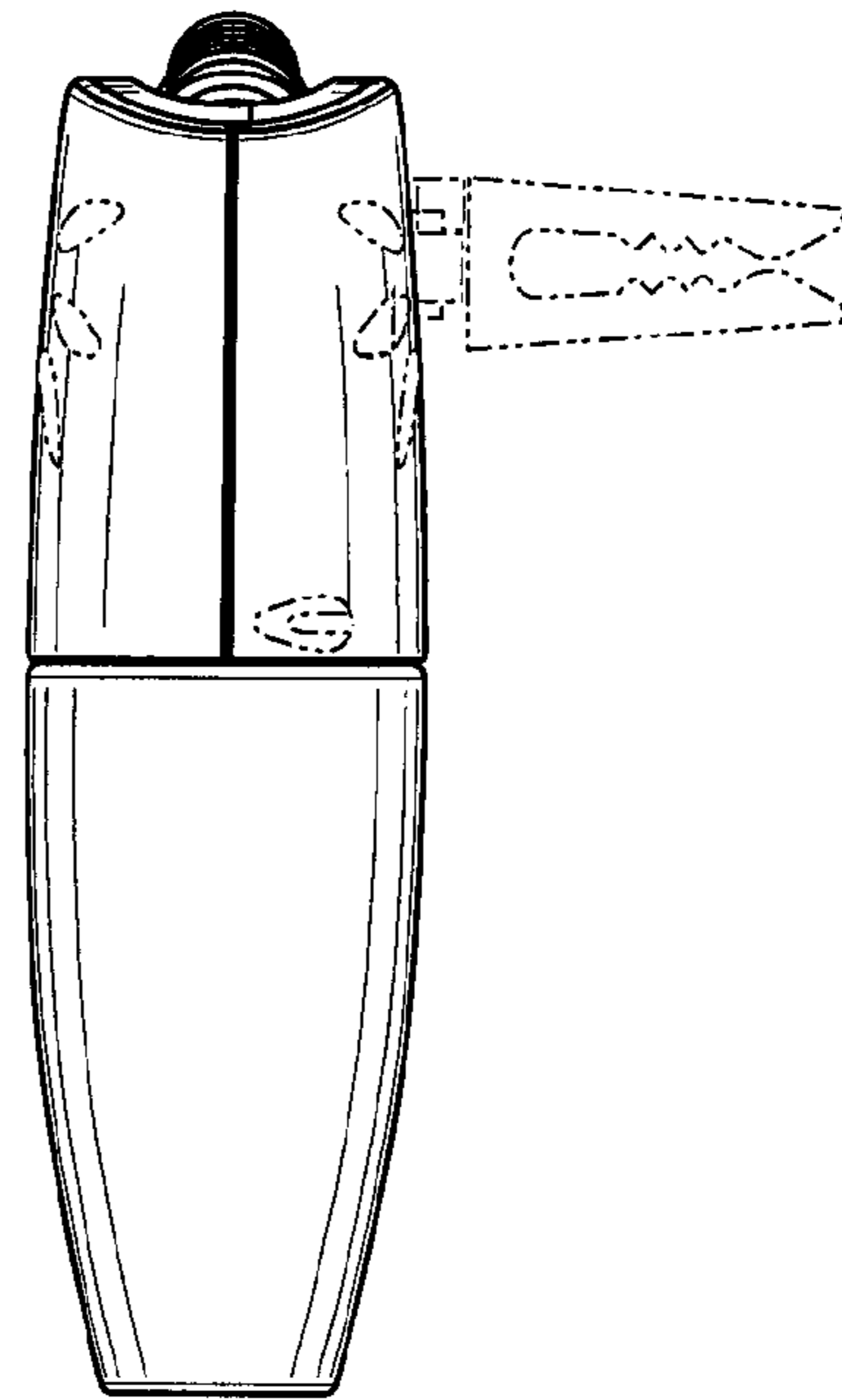


FIG. 5

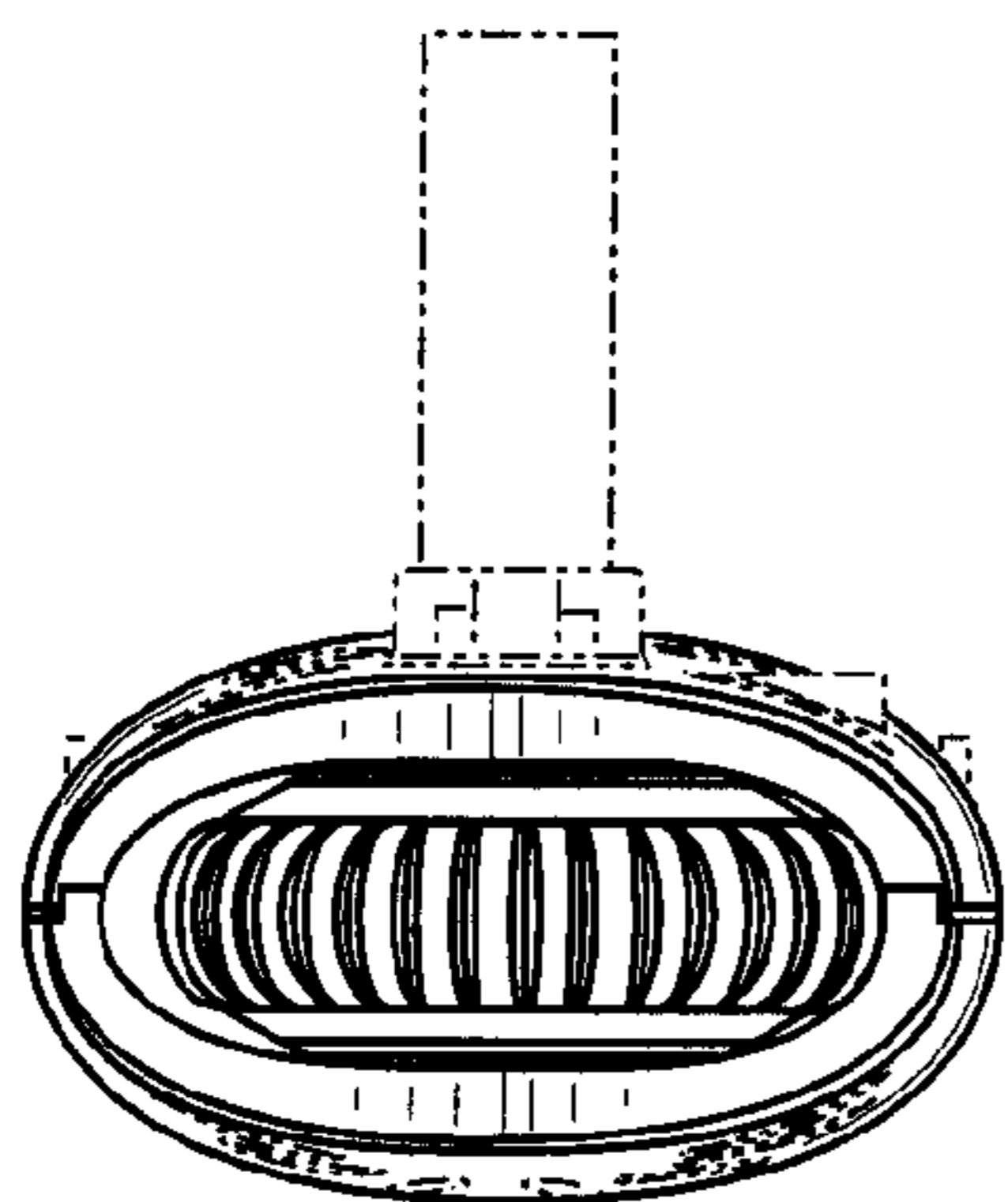


FIG. 6

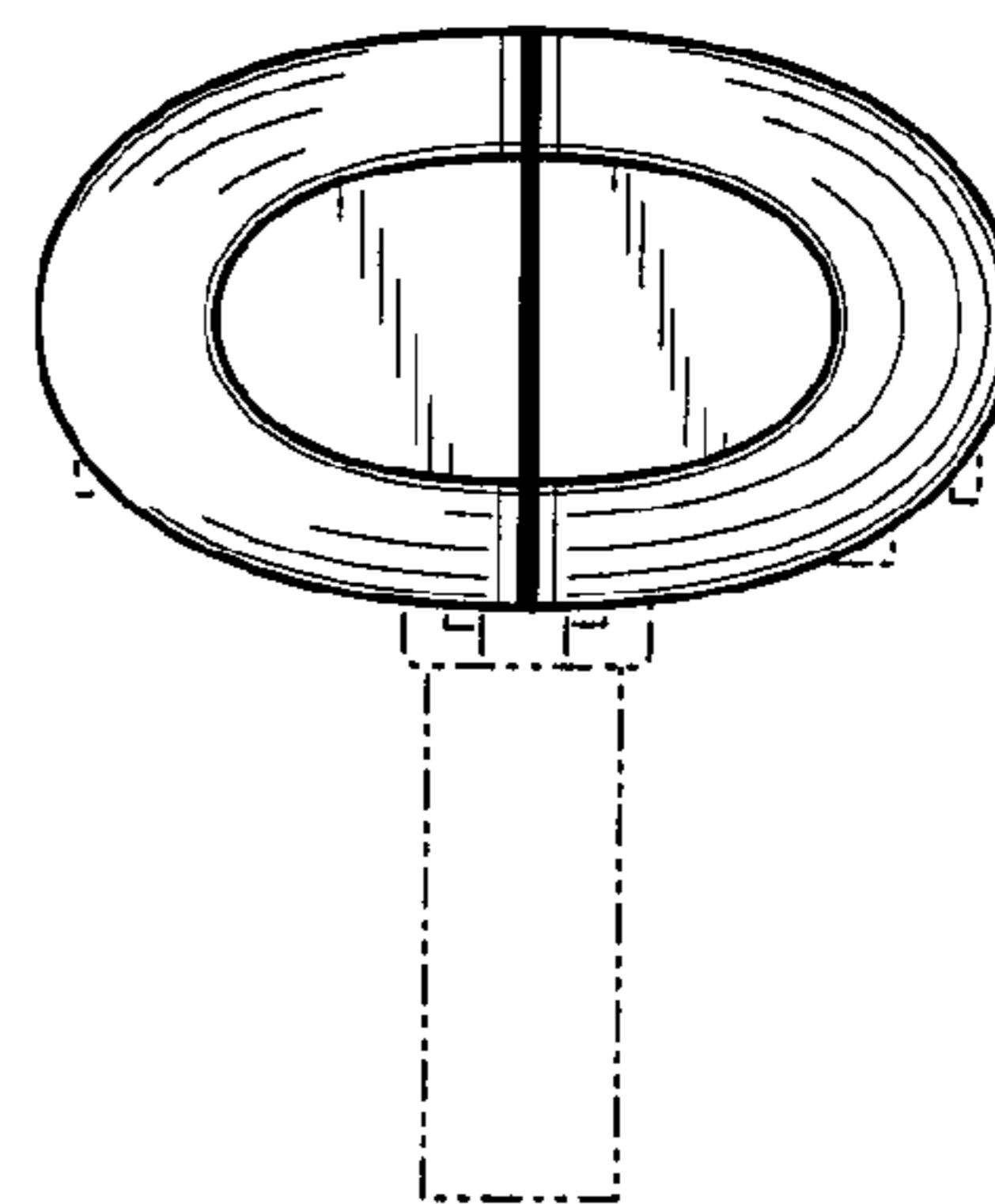


FIG. 7