



US00D607979S

(12) **United States Design Patent**
Jiang et al.

(10) **Patent No.:** **US D607,979 S**
(45) **Date of Patent:** **** Jan. 12, 2010**

(54) **SINK**

6,799,336 B2 * 10/2004 Freeman 4/619
D537,150 S * 2/2007 Morris et al. D23/293.1

(75) Inventors: **Mimi Jiang**, Shanghai (CN); **Daniel Xia**, Shanghai (CN)

* cited by examiner

(73) Assignee: **Kohler (China) Investment Co., Ltd.**, Shanghai (CN)

Primary Examiner—Robert A Delehanty
(74) *Attorney, Agent, or Firm*—Ladas & Parry LLP

(**) Term: **14 Years**

(57) **CLAIM**

(21) Appl. No.: **29/328,459**

The ornamental design for a sink, as shown and described.

(22) Filed: **Nov. 25, 2008**

DESCRIPTION

(30) **Foreign Application Priority Data**

May 30, 2008 (CN) 2008 3 0127669

FIG. 1 is a perspective view from above and to the right of the sink embodying our new design;

(51) **LOC (9) Cl.** **23-03**

FIG. 2 is a top plan view thereof;

(52) **U.S. Cl.** **D23/293.1**

FIG. 3 is a right side elevational view thereof, the left side elevational view being a mirror image thereof;

(58) **Field of Classification Search** D23/270–274,
D23/284, 285, 291, 293.1, 303, 308; 4/619,
4/638, 650, 661

FIG. 4 is a rear elevational view thereof; and,

See application file for complete search history.

FIG. 5 is a front elevational view thereof.

(56) **References Cited**

The broken line portions depicting the drain and overflow portions are for illustrative purposes only and form no part of the claimed design.

U.S. PATENT DOCUMENTS

2,980,477 A * 4/1961 Hansen D23/287

1 Claim, 2 Drawing Sheets

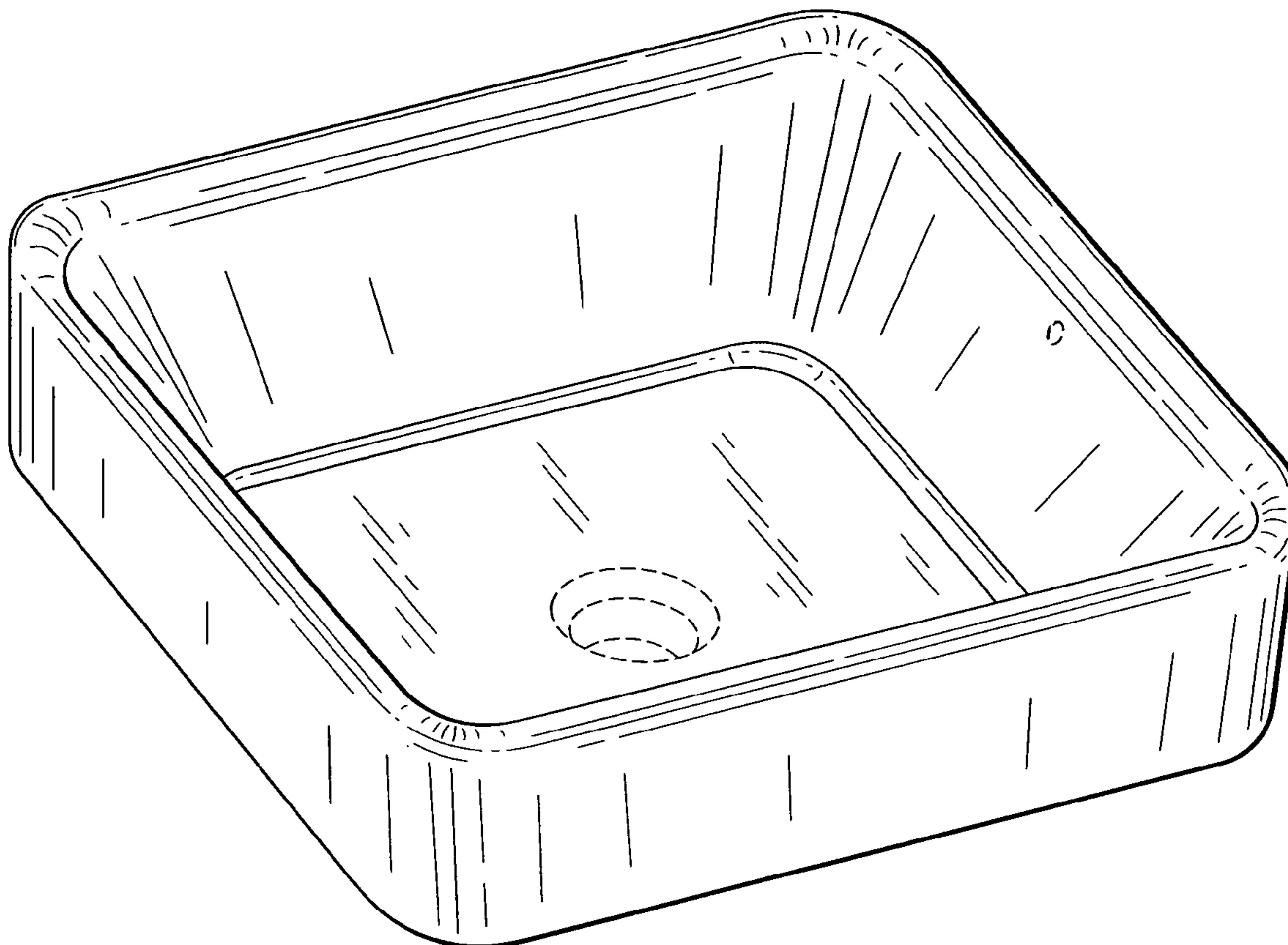


FIG. 1

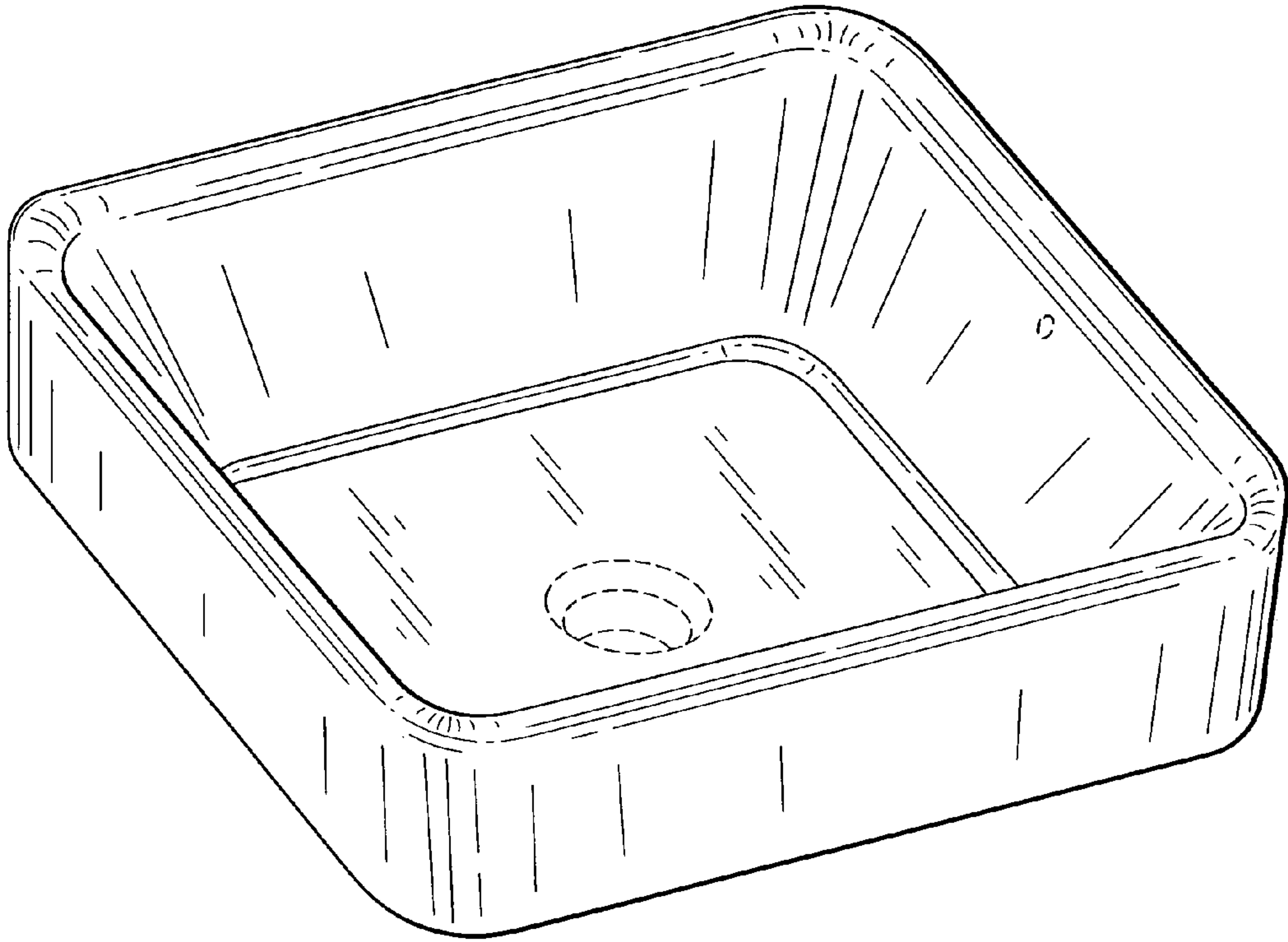


FIG. 2

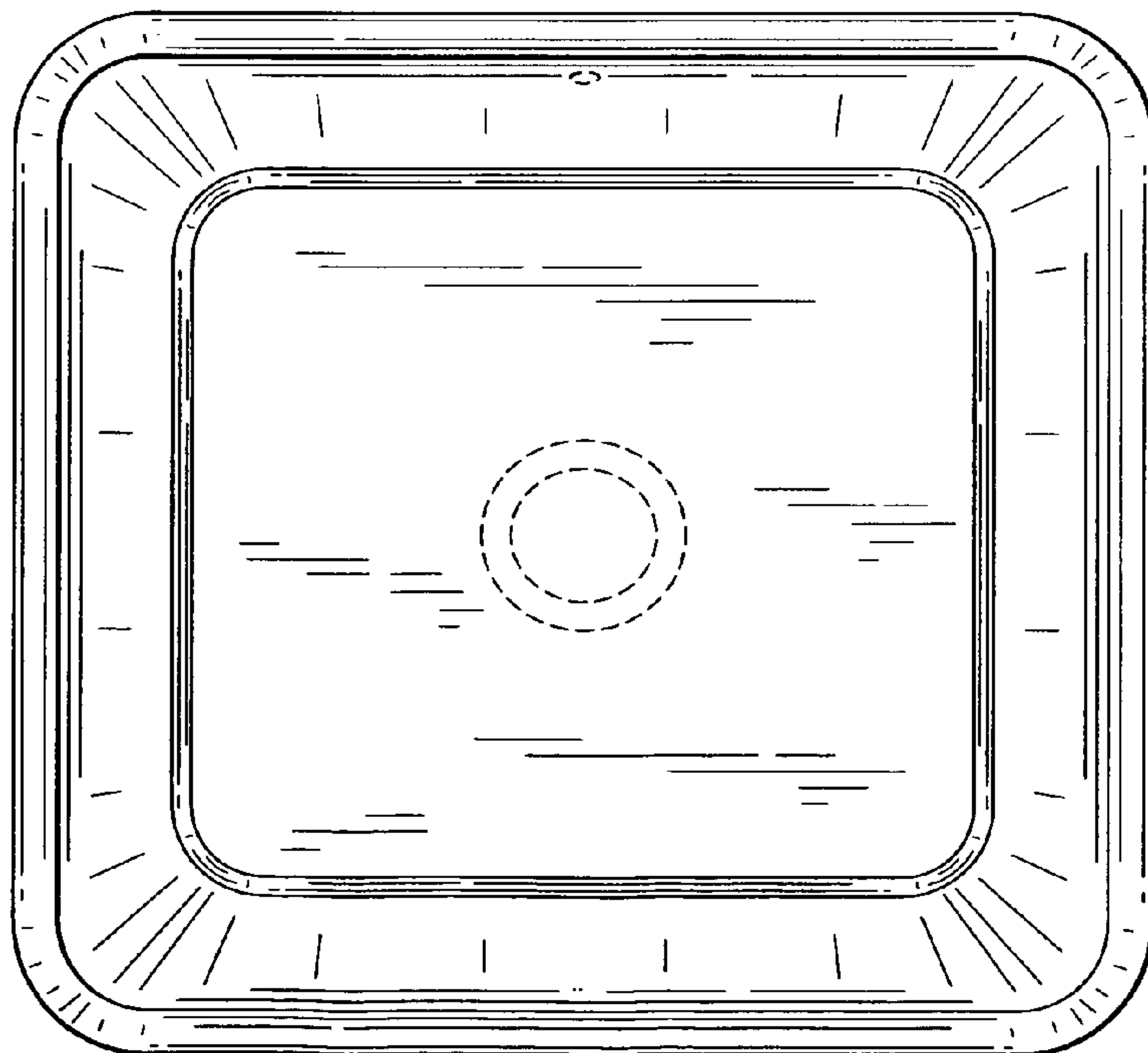


FIG. 3

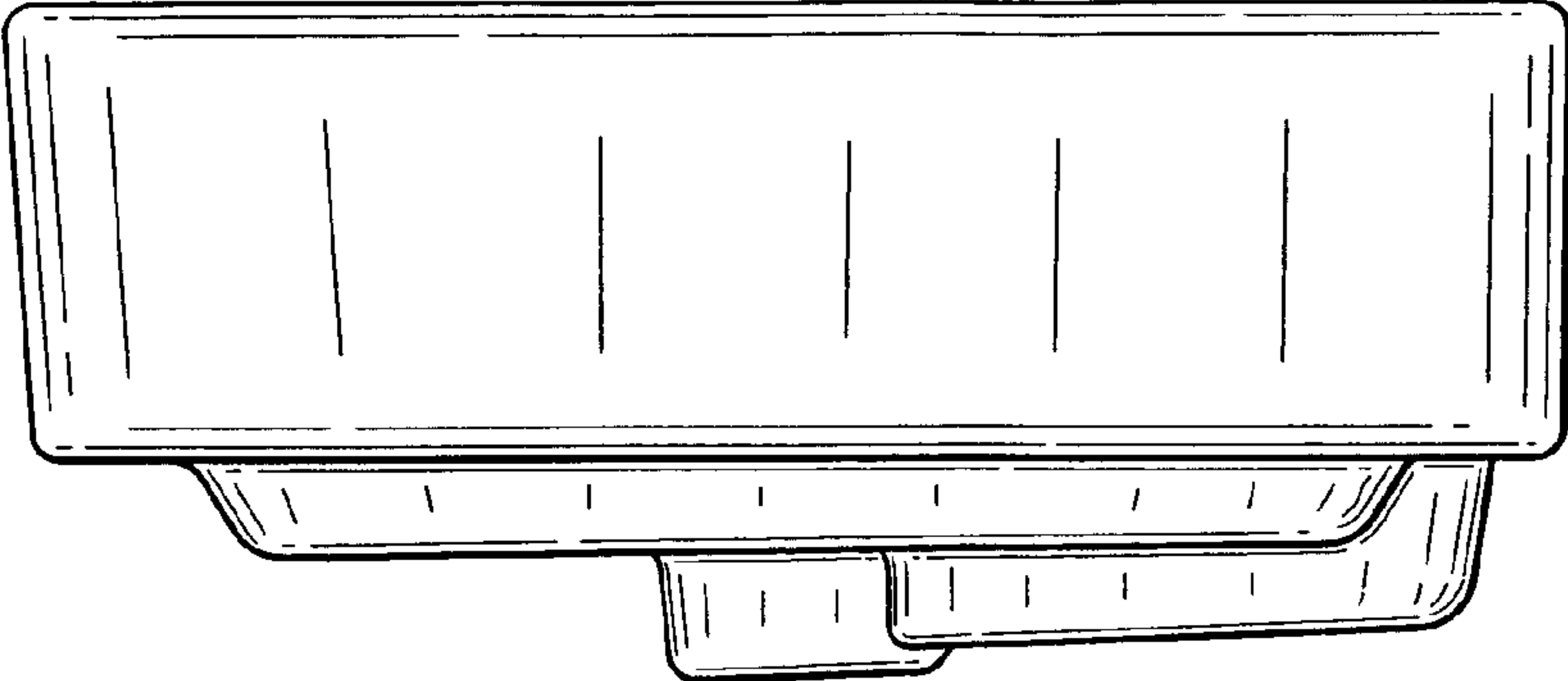


FIG. 4

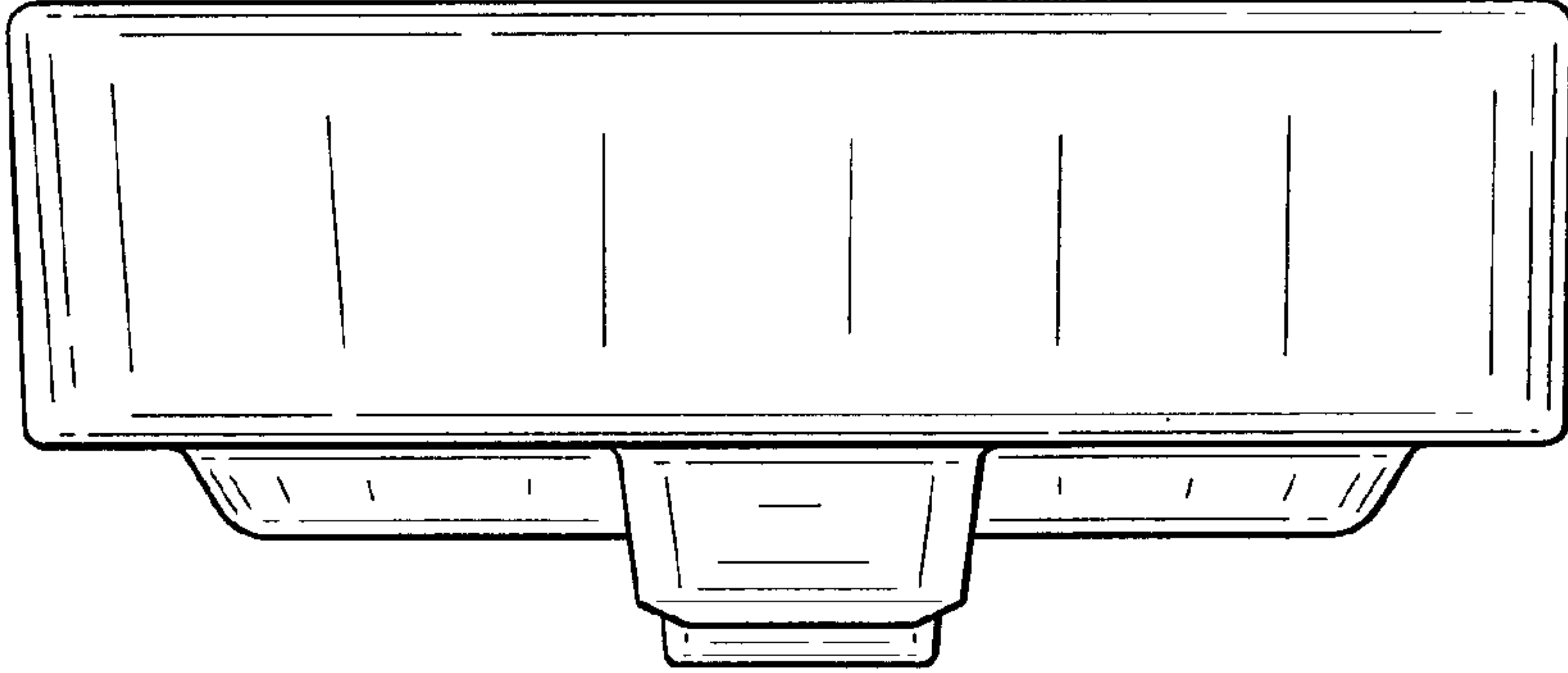


FIG. 5

