



US00D607977S

(12) **United States Design Patent**
Lin

(10) **Patent No.:** **US D607,977 S**
(45) **Date of Patent:** **** Jan. 12, 2010**

(54) **FAUCET**

D578,617 S * 10/2008 Urquiola D23/255

(76) Inventor: **Ming-Shuan Lin**, No. 29-2, Sec. 1,
Tafeng Rd., Taichung Hsien (TW)

* cited by examiner

(**) Term: **14 Years**

Primary Examiner—Robert A Delehanty
(74) *Attorney, Agent, or Firm*—Panitch Schwarze Belisario &
Nadel LLP

(21) Appl. No.: **29/327,806**

(22) Filed: **Nov. 13, 2008**

(57) **CLAIM**

The ornamental design for faucet, as shown and described.

(30) **Foreign Application Priority Data**

Jan. 4, 2008 (TW) 097300064

DESCRIPTION

(51) **LOC (9) Cl.** **23-02**

(52) **U.S. Cl.** **D23/255**

(58) **Field of Classification Search** D23/238,
D23/241–243, 255–257; 4/678; 138/801
See application file for complete search history.

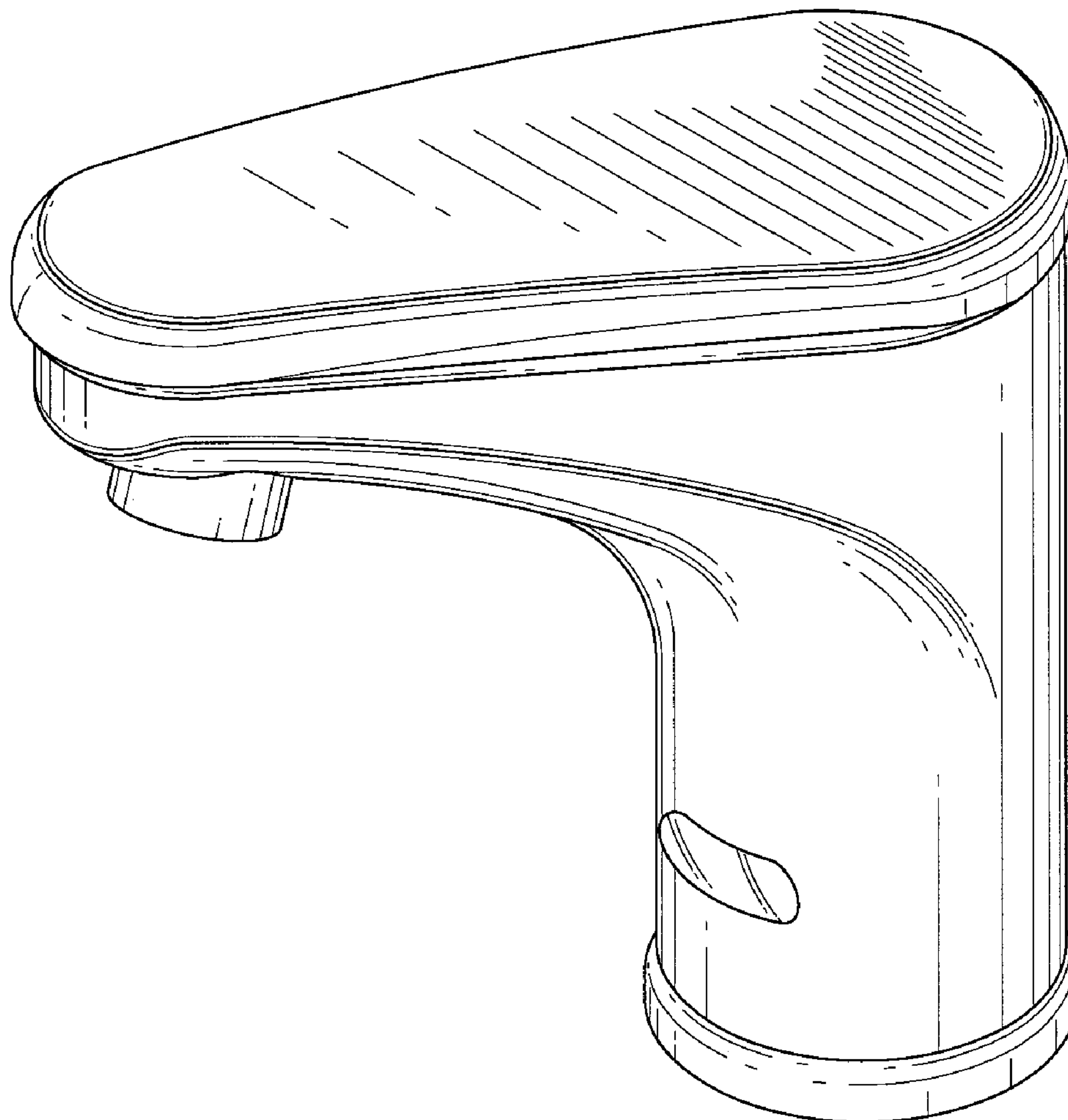
FIG. 1 is a perspective view of faucet showing my new design;
FIG. 2 is a front elevational view thereof;
FIG. 3 is a rear elevational view thereof;
FIG. 4 is a left side elevational view thereof;
FIG. 5 is a right side elevational view thereof; and,
FIG. 6 is a top plan view thereof.

(56) **References Cited**

U.S. PATENT DOCUMENTS

D405,512 S * 2/1999 Delker D23/255

1 Claim, 6 Drawing Sheets



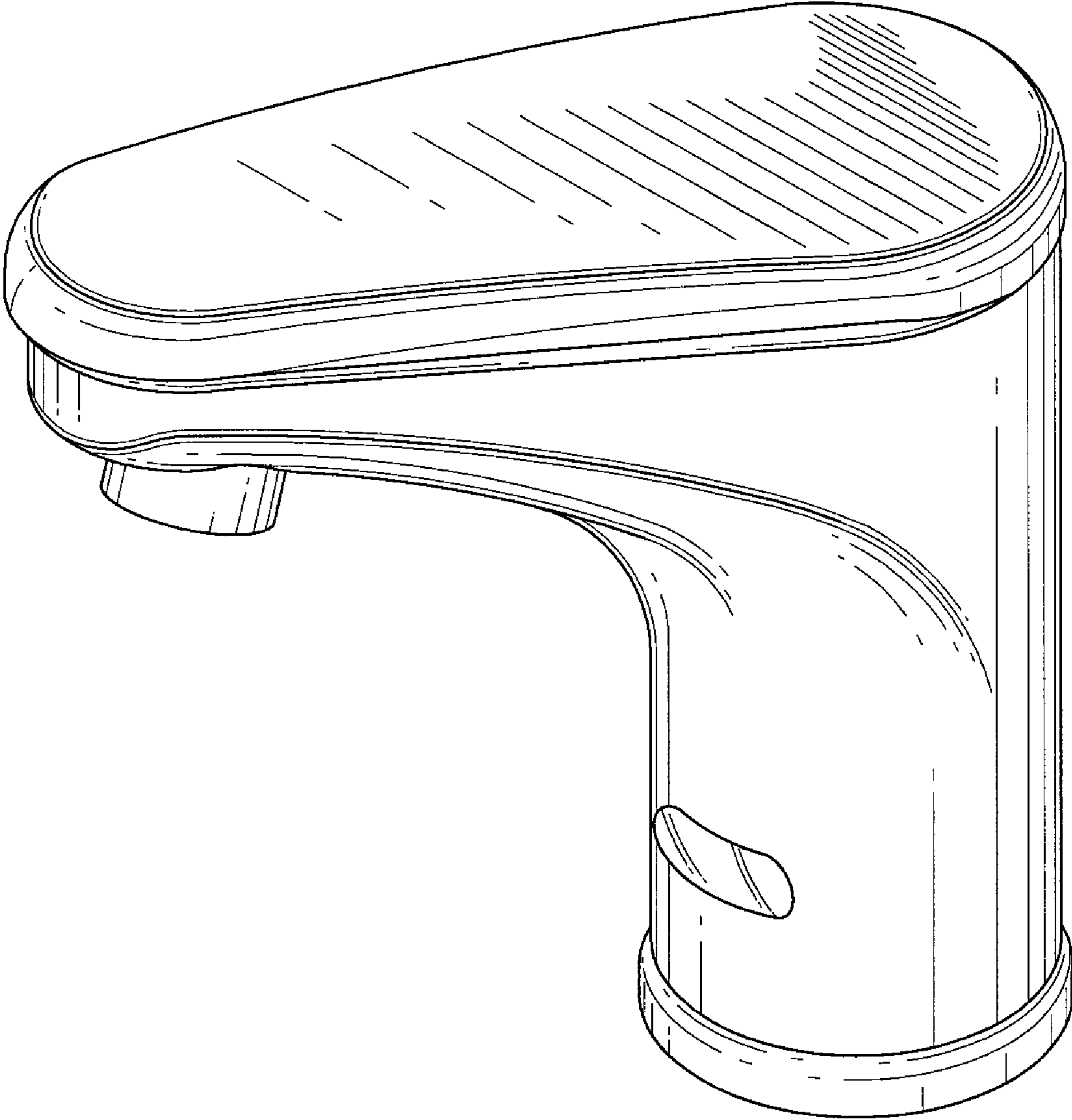


FIG. 1

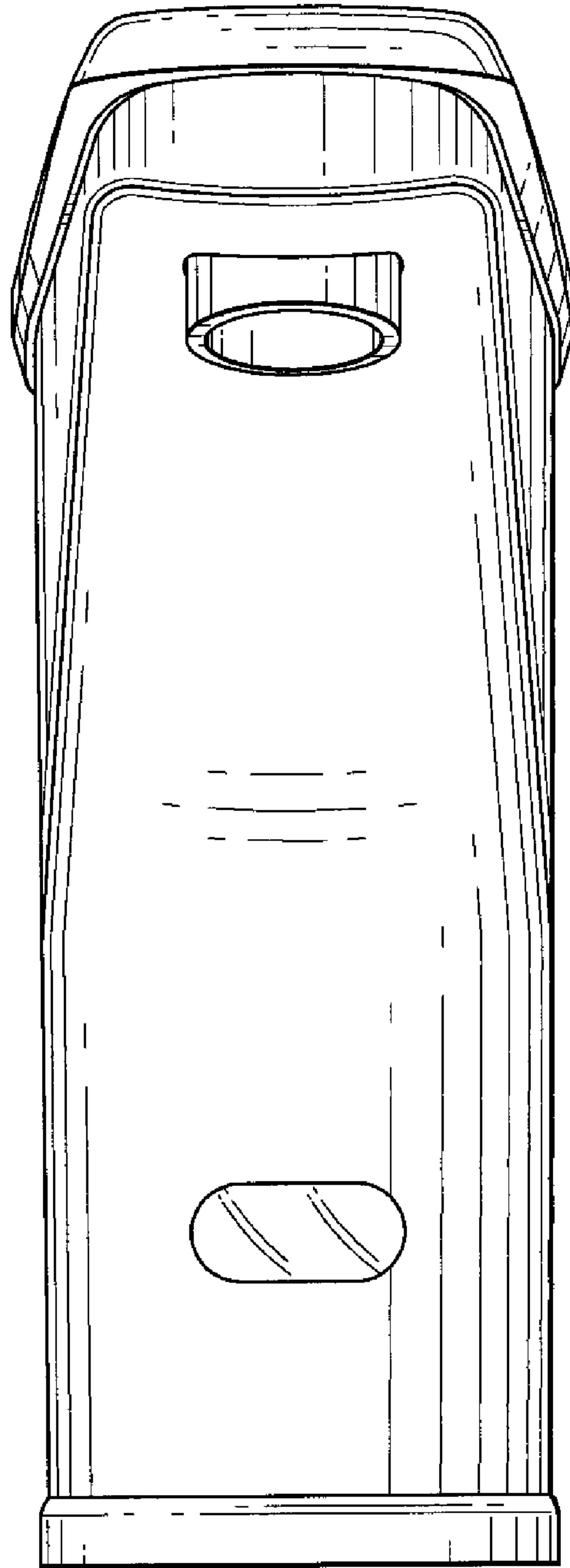


FIG. 2

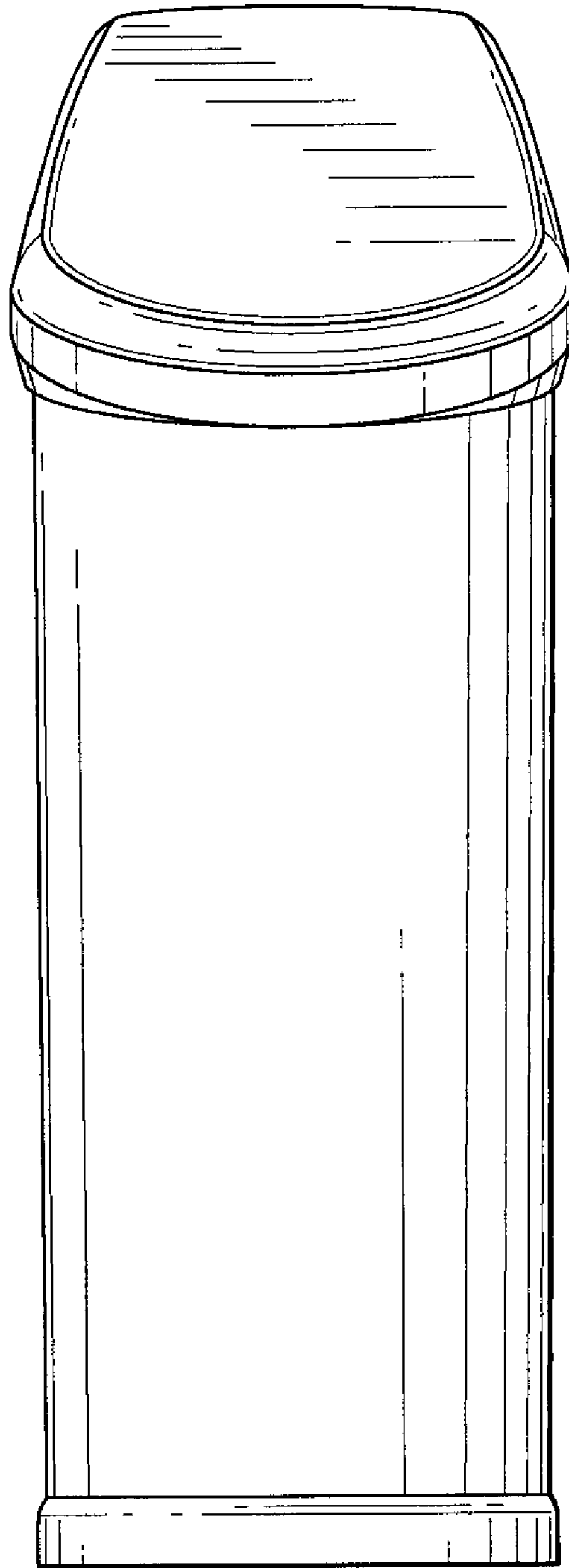


FIG. 3

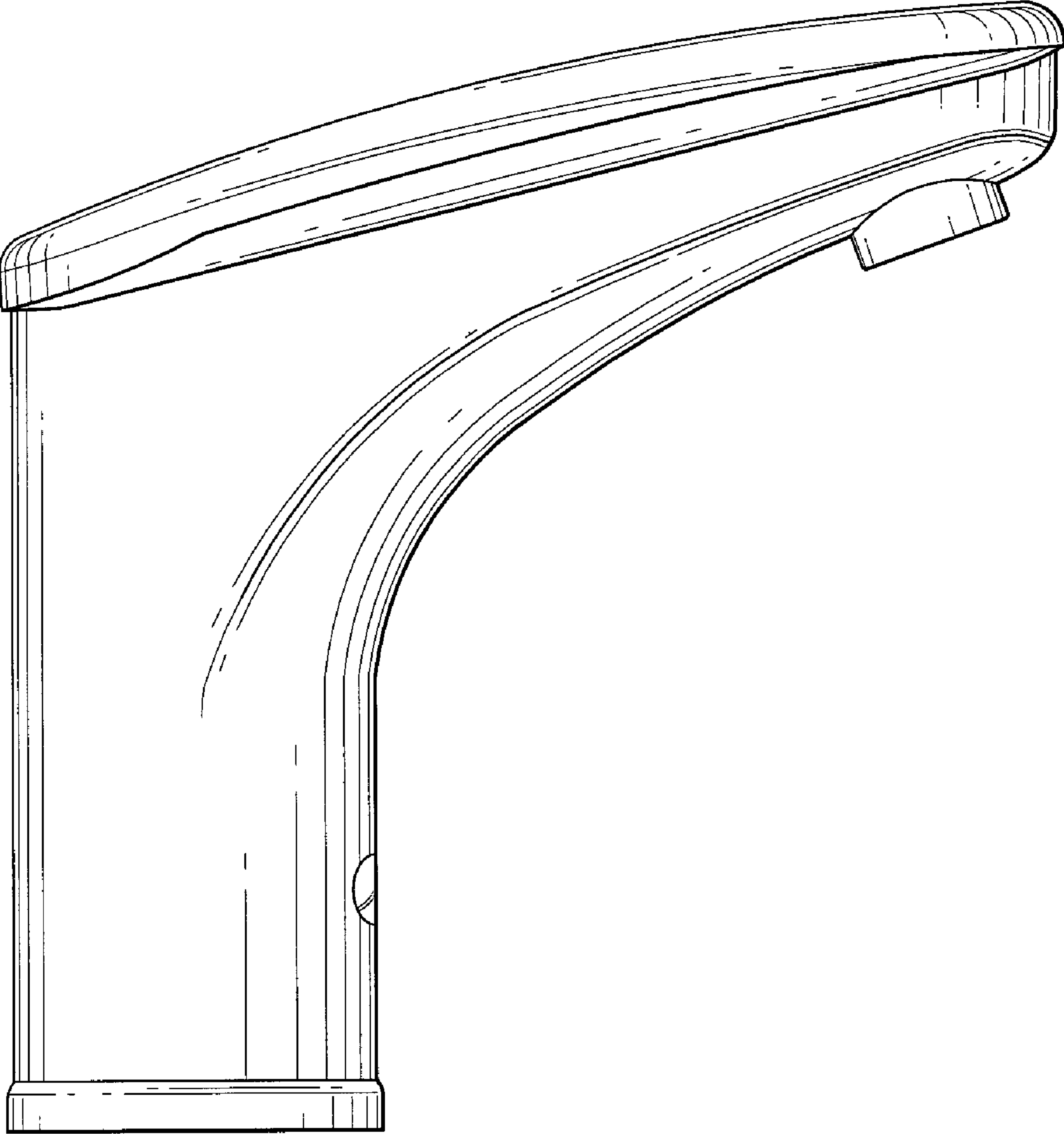


FIG. 4

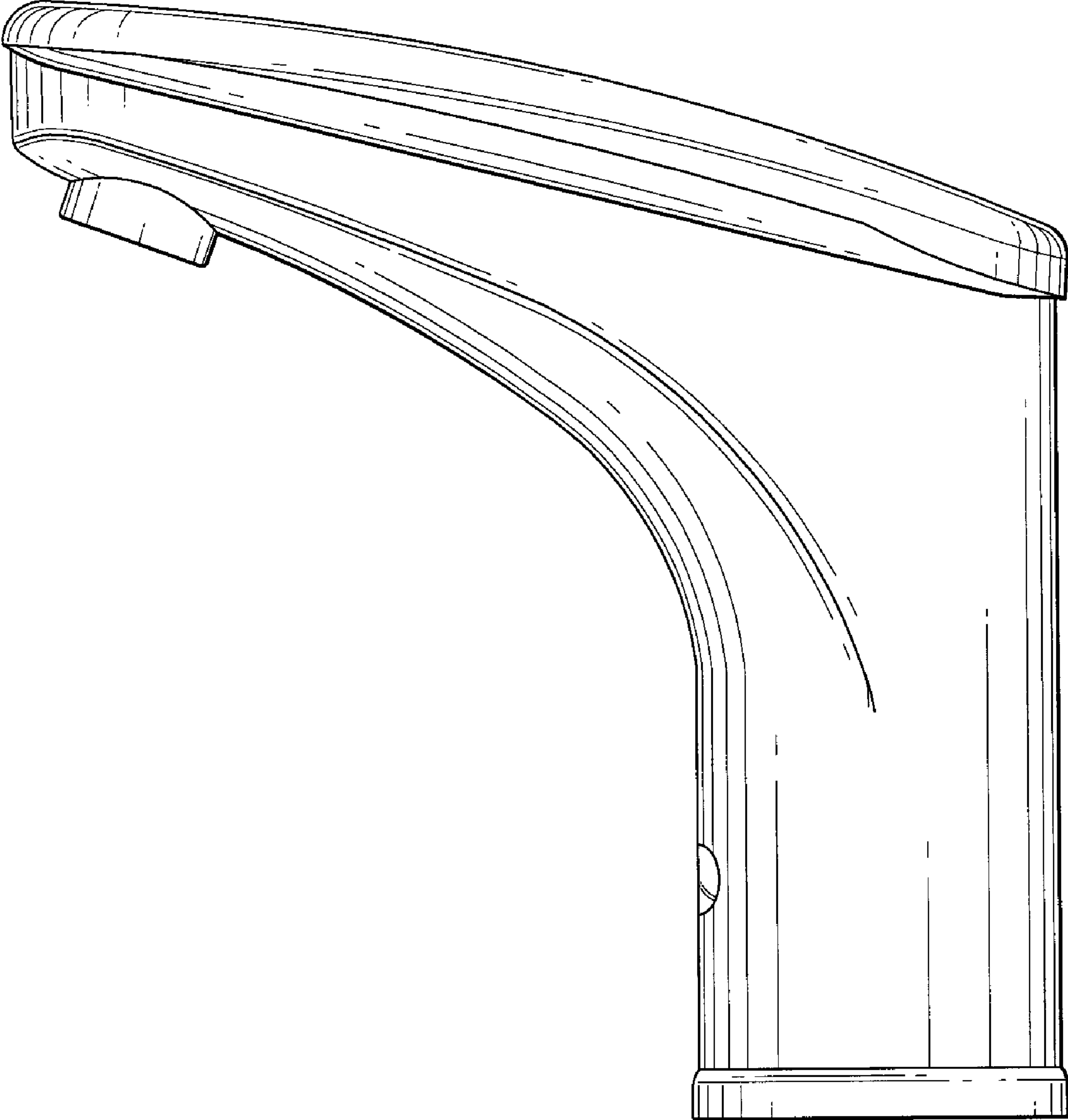


FIG. 5

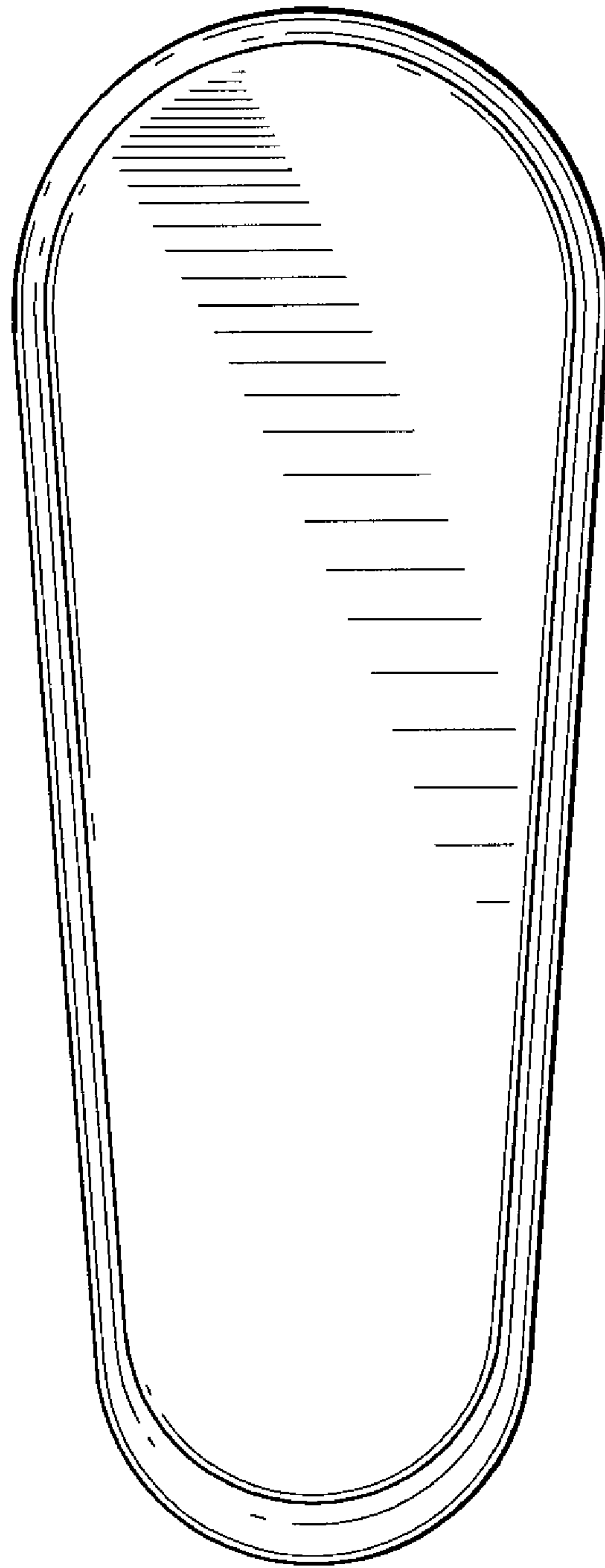


FIG. 6