



US00D607975S

(12) **United States Design Patent**  
**Schoenherr et al.**

(10) **Patent No.:** **US D607,975 S**  
(45) **Date of Patent:** **\*\* Jan. 12, 2010**

(54) **FAUCET**

(75) Inventors: **Tom Schoenherr**, Stuttgart (DE);  
**Fabian Kollmann**, Stuttgart (DE);  
**Erkan Bilgic**, Stuttgart (DE)

(73) Assignee: **Hansgrohe AG**, Schiltach (DE)

(\*\*) Term: **14 Years**

(21) Appl. No.: **29/335,266**

(22) Filed: **Apr. 13, 2009**

(30) **Foreign Application Priority Data**

Oct. 20, 2008 (EM) ..... 001023352-0001

(51) **LOC (9) Cl.** ..... **23-01**

(52) **U.S. Cl.** ..... **D23/238**

(58) **Field of Classification Search** ..... D23/238-243,  
D23/250, 252-254; 4/676-678; 137/801,  
137/359; 16/110.1; D8/350-353; D6/550  
See application file for complete search history.

(56) **References Cited**

**U.S. PATENT DOCUMENTS**

D417,262 S \* 11/1999 Caplow ..... D23/255

D488,539 S \* 4/2004 McKeone ..... D23/255  
D508,977 S \* 8/2005 Otero ..... D23/238  
D518,153 S \* 3/2006 Theberge ..... D23/255  
D567,907 S \* 4/2008 Kohler et al. .... D23/238  
D602,122 S \* 10/2009 Corbett ..... D23/238

\* cited by examiner

*Primary Examiner*—Robert A Delehanty

(74) *Attorney, Agent, or Firm*—Nirav D. Parikh; Edgar A. Zarins

(57) **CLAIM**

The ornamental design for a faucet, as shown and described.

**DESCRIPTION**

FIG. 1 is a perspective view of a faucet showing our design;

FIG. 2 is a front elevational view thereof;

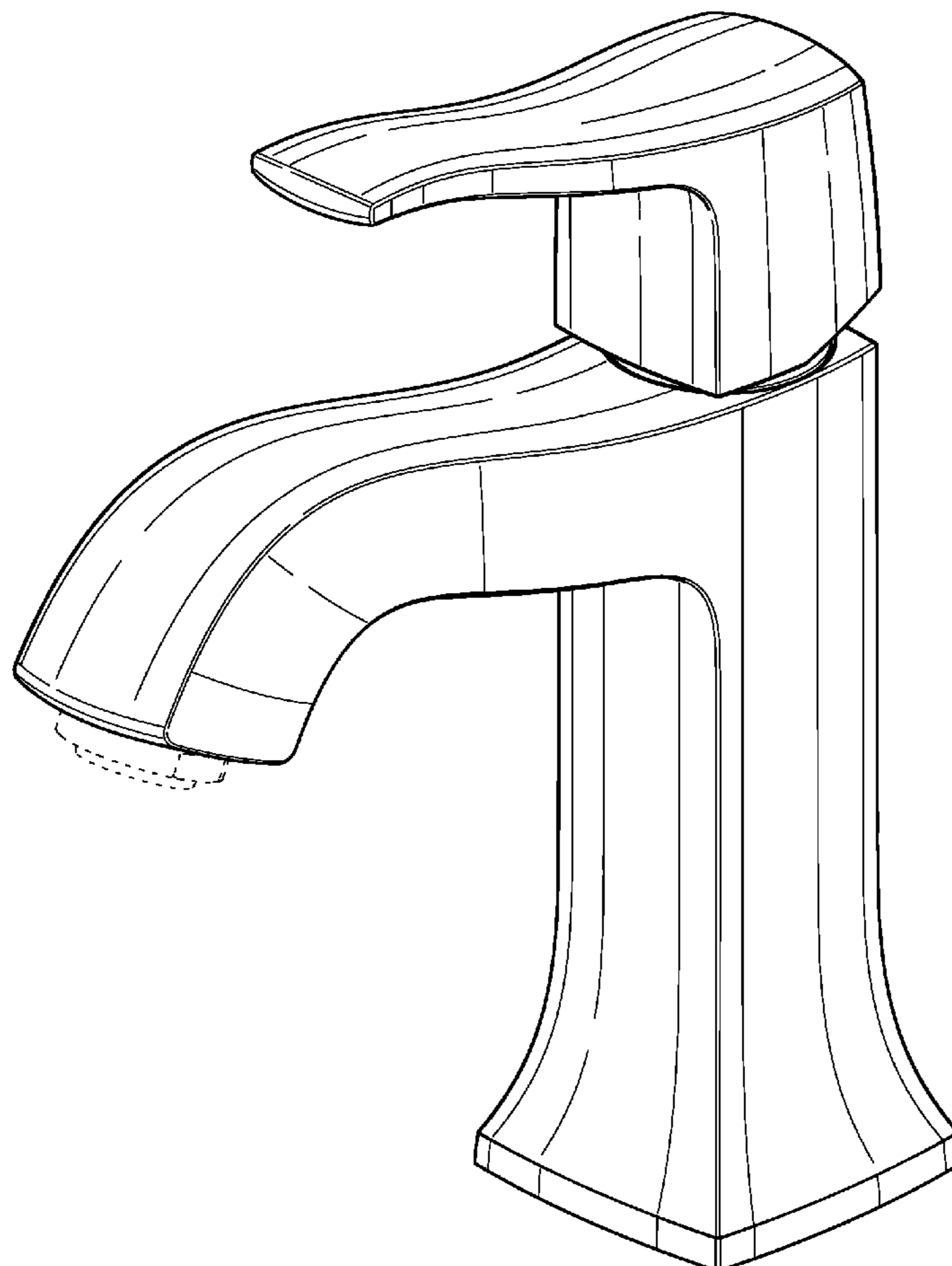
FIG. 3 is a rear elevational view thereof;

FIG. 4 is a left side elevational view thereof; the right side elevational view being a mirror image thereof; and,

FIG. 5 is a top plan view thereof.

The broken lines in the drawings represent unclaimed portions of the Faucet and form no part thereof.

**1 Claim, 5 Drawing Sheets**



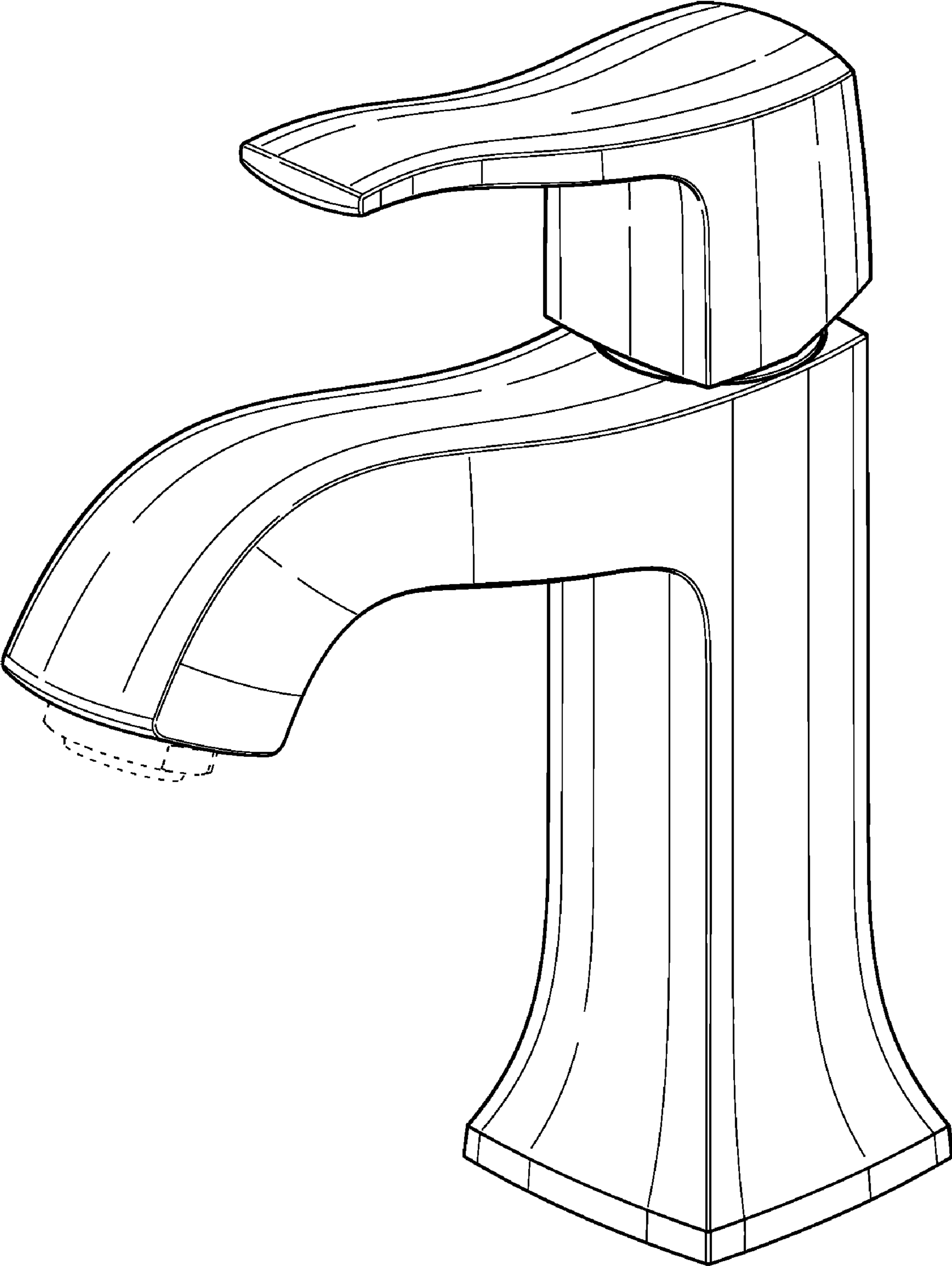


FIG. 1

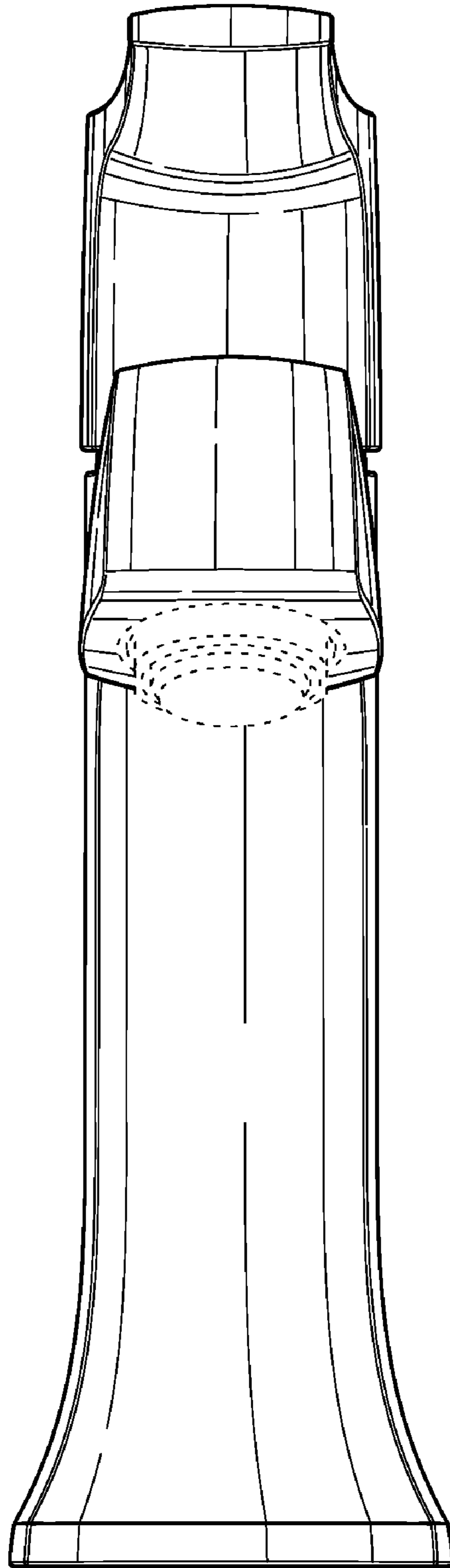


FIG. 2

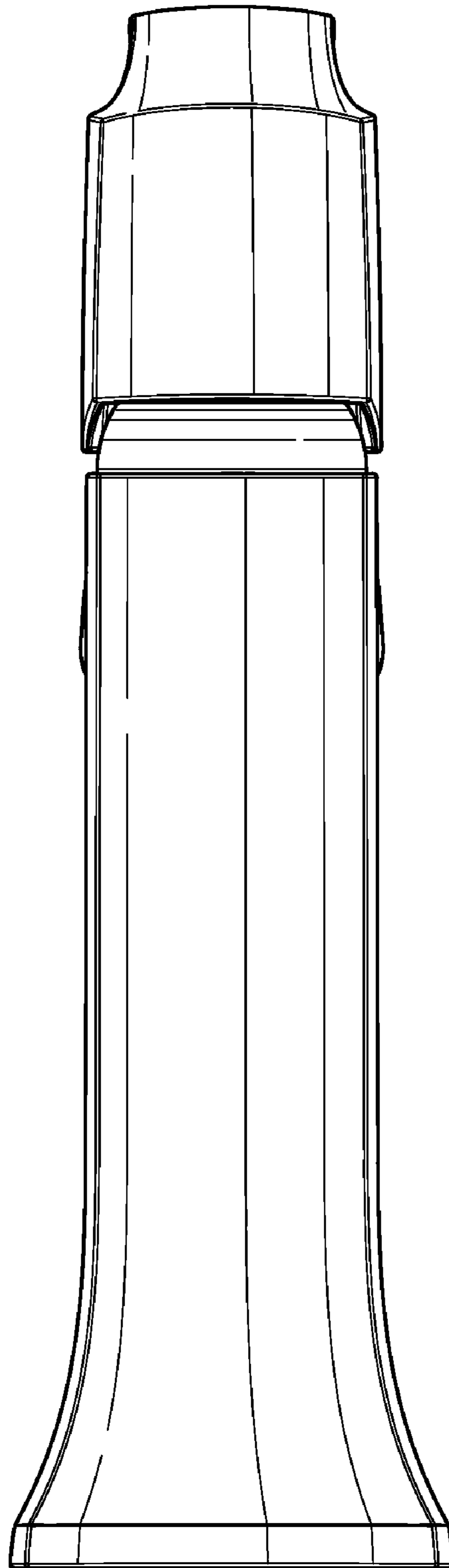


FIG. 3

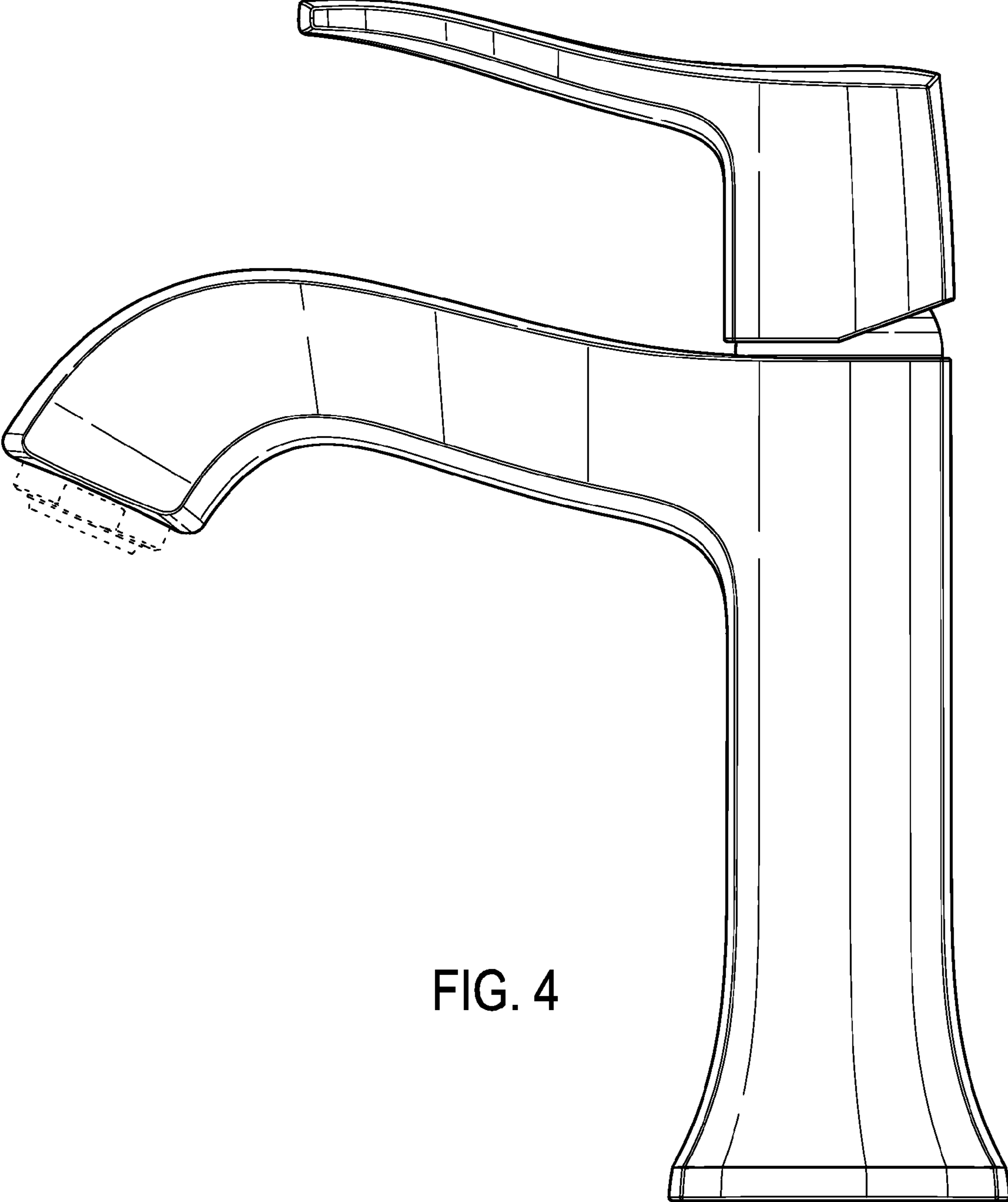


FIG. 4

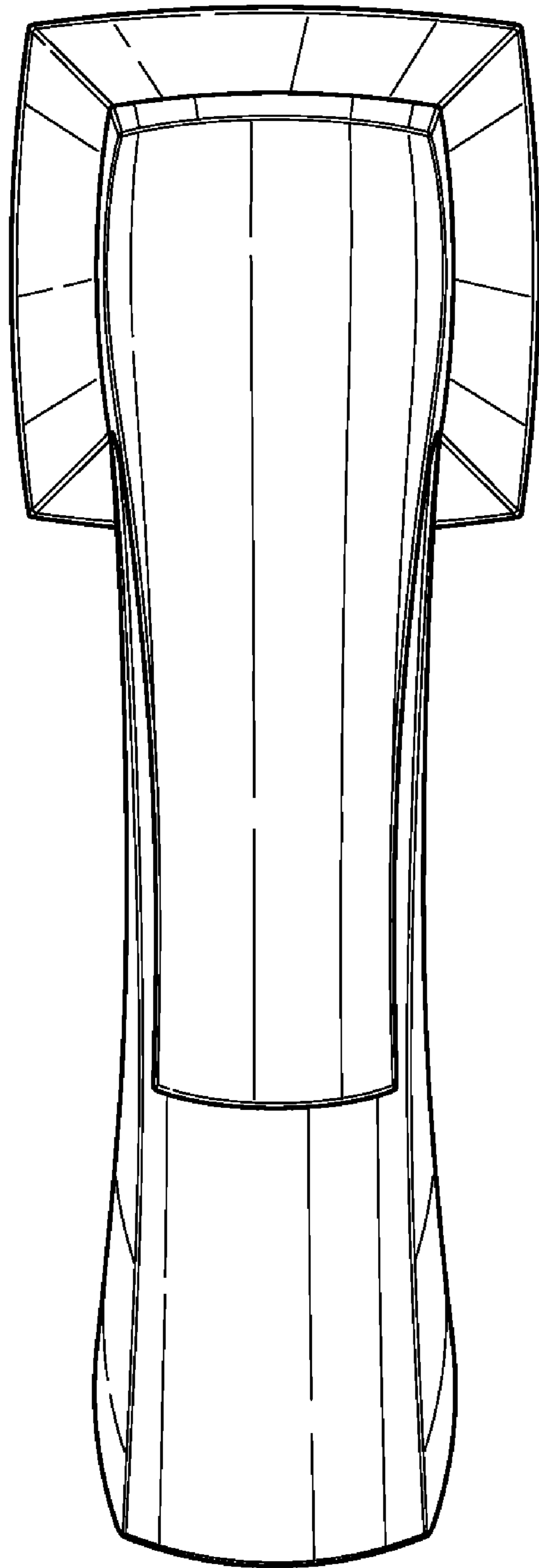


FIG. 5