



US00D607973S

(12) **United States Design Patent**
Schmidt

(10) **Patent No.:** **US D607,973 S**
(45) **Date of Patent:** **** Jan. 12, 2010**

(54) **VALVE**

(75) Inventor: **Karoline Schmidt**, Esslingen (DE)

(73) Assignee: **Feslo AG & Co. KG**, Esslingen (DE)

(**) Term: **14 Years**

(21) Appl. No.: **29/312,113**

(22) Filed: **Sep. 30, 2008**

(30) **Foreign Application Priority Data**

Apr. 1, 2008 (EM) 000907100-0003

(51) **LOC (9) Cl.** **23-01**

(52) **U.S. Cl.** **D23/233**

(58) **Field of Classification Search** D23/233-237,
D23/244-249; D15/7, 199; 137/269, 271,
137/343, 413, 414, 432, 436, 554, 557, 560,
137/625.64, 882, 884; 251/331, 219, 130,
251/15, 129.04

See application file for complete search history.

(56) **References Cited**

U.S. PATENT DOCUMENTS

D251,677 S * 4/1979 Johnson D23/236
D314,610 S * 2/1991 Chen D23/236
D408,501 S * 4/1999 Johnson D23/236

D578,549 S * 10/2008 Nimberger D15/5
D594,929 S * 6/2009 Takakuwa et al. D23/233
D594,933 S * 6/2009 Miyazoe D23/233

FOREIGN PATENT DOCUMENTS

EP 1 580 476 A1 9/2005

* cited by examiner

Primary Examiner—Cathron C. Brooks

Assistant Examiner—Maurice Stevens

(74) *Attorney, Agent, or Firm*—Hoffmann & Baron, LLP

(57) **CLAIM**

The ornamental design for a valve, as shown and described.

DESCRIPTION

FIG. 1 is a top perspective view of a valve showing my new design;

FIG. 2 is a top plan view thereof;

FIG. 3 is a bottom plan view thereof;

FIG. 4 is a front view thereof;

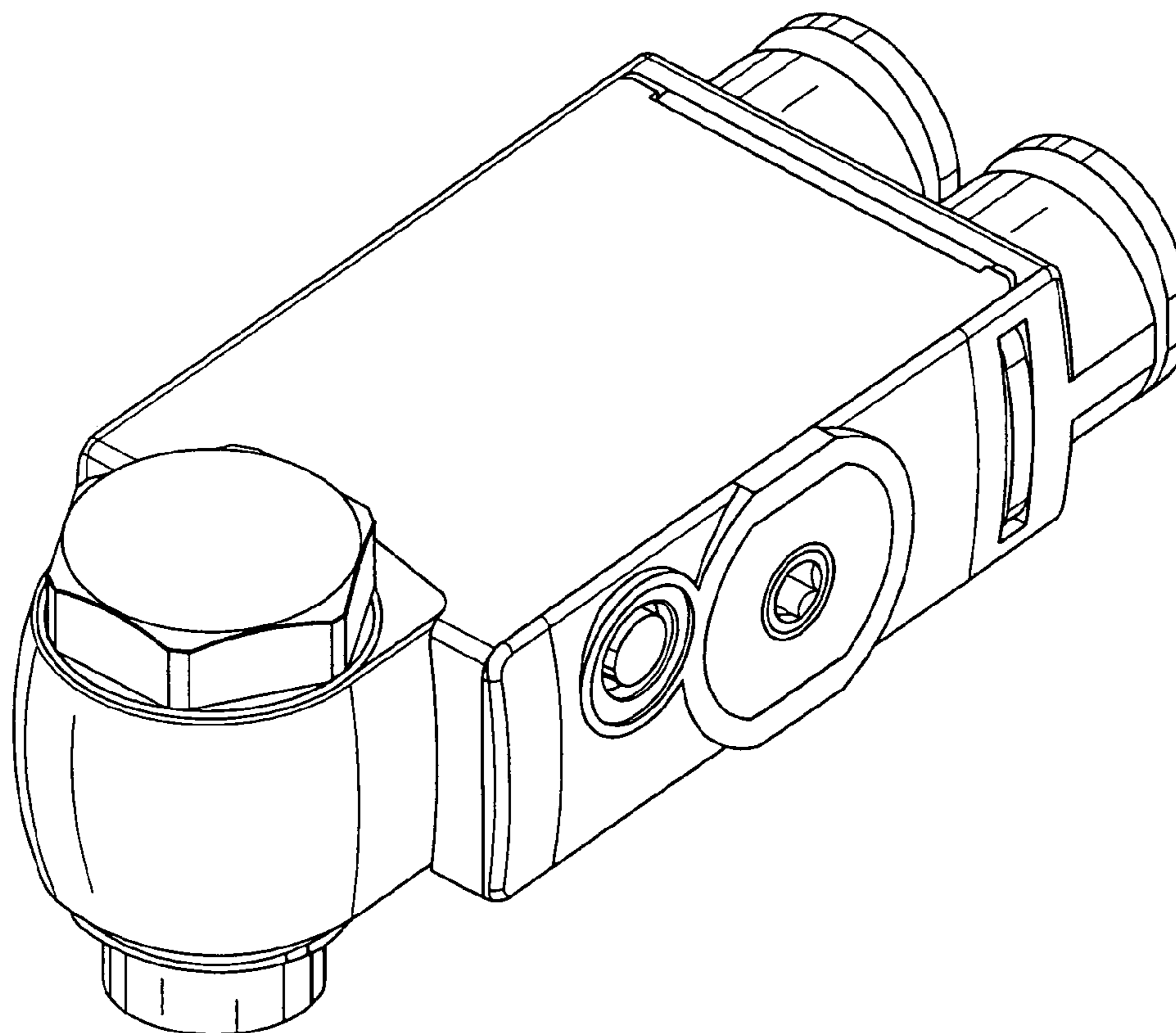
FIG. 5 is a rear view thereof;

FIG. 6 is a right view thereof; and,

FIG. 7 is a left view thereof.

The broken lines represent unclaimed portions of the valve.

1 Claim, 4 Drawing Sheets



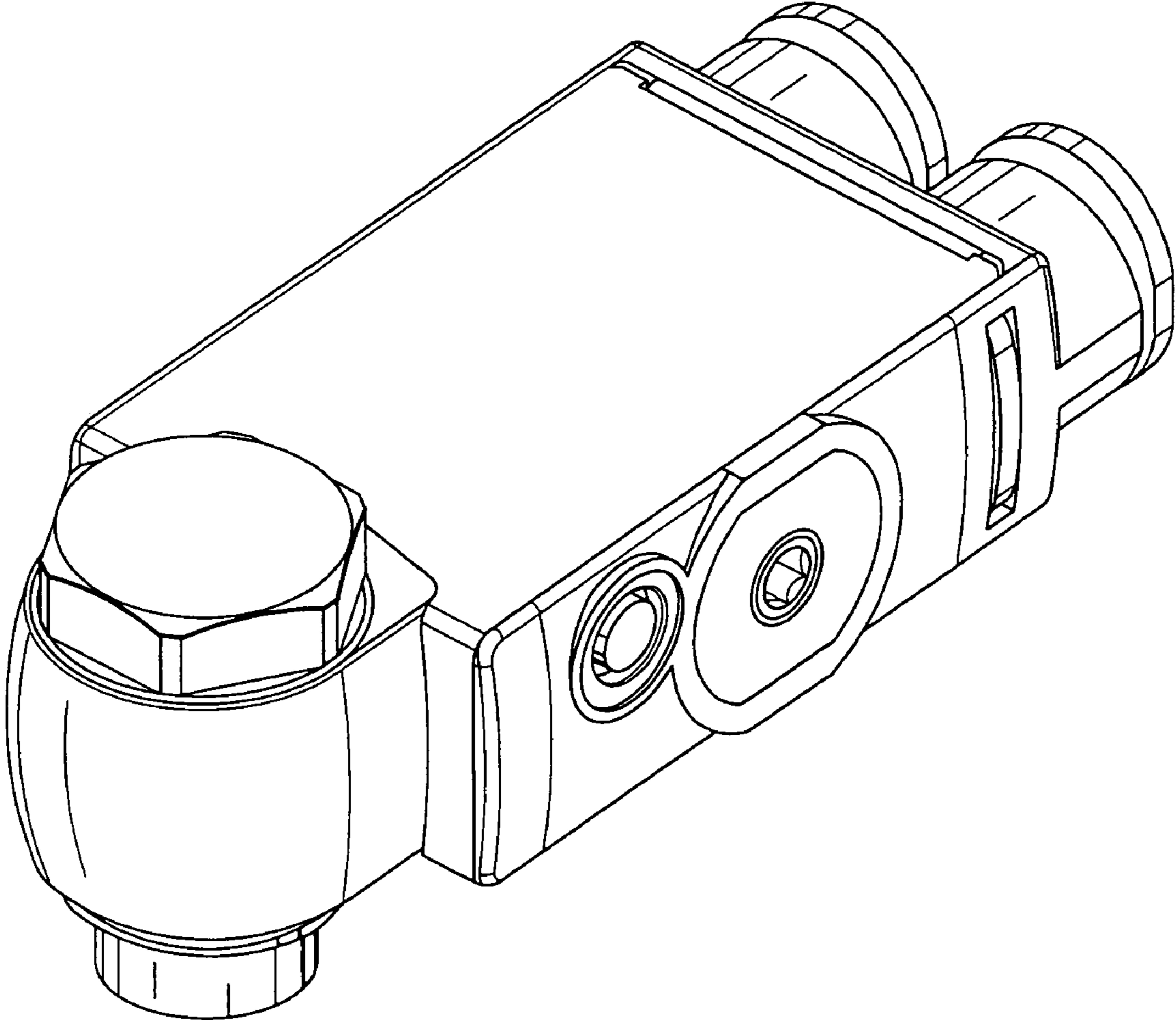


Fig. 1

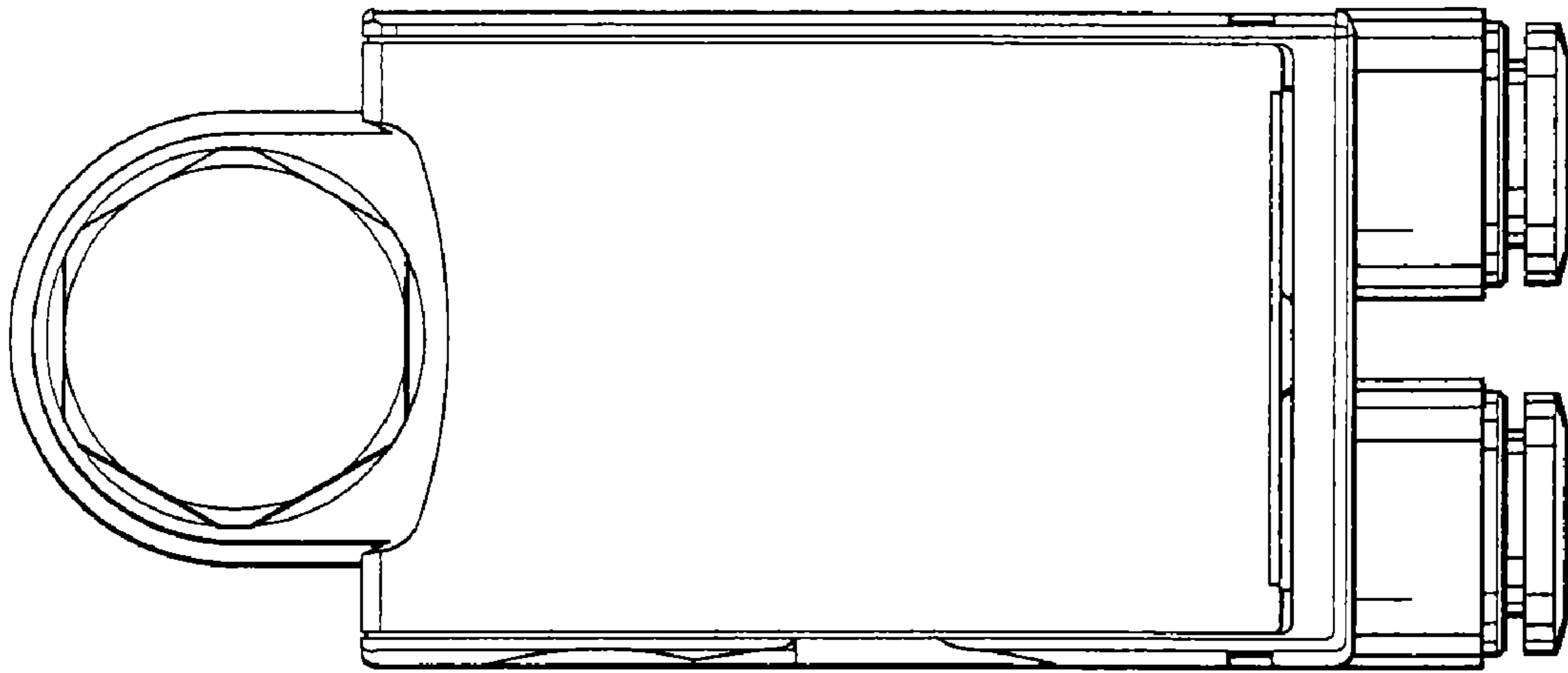


Fig. 2

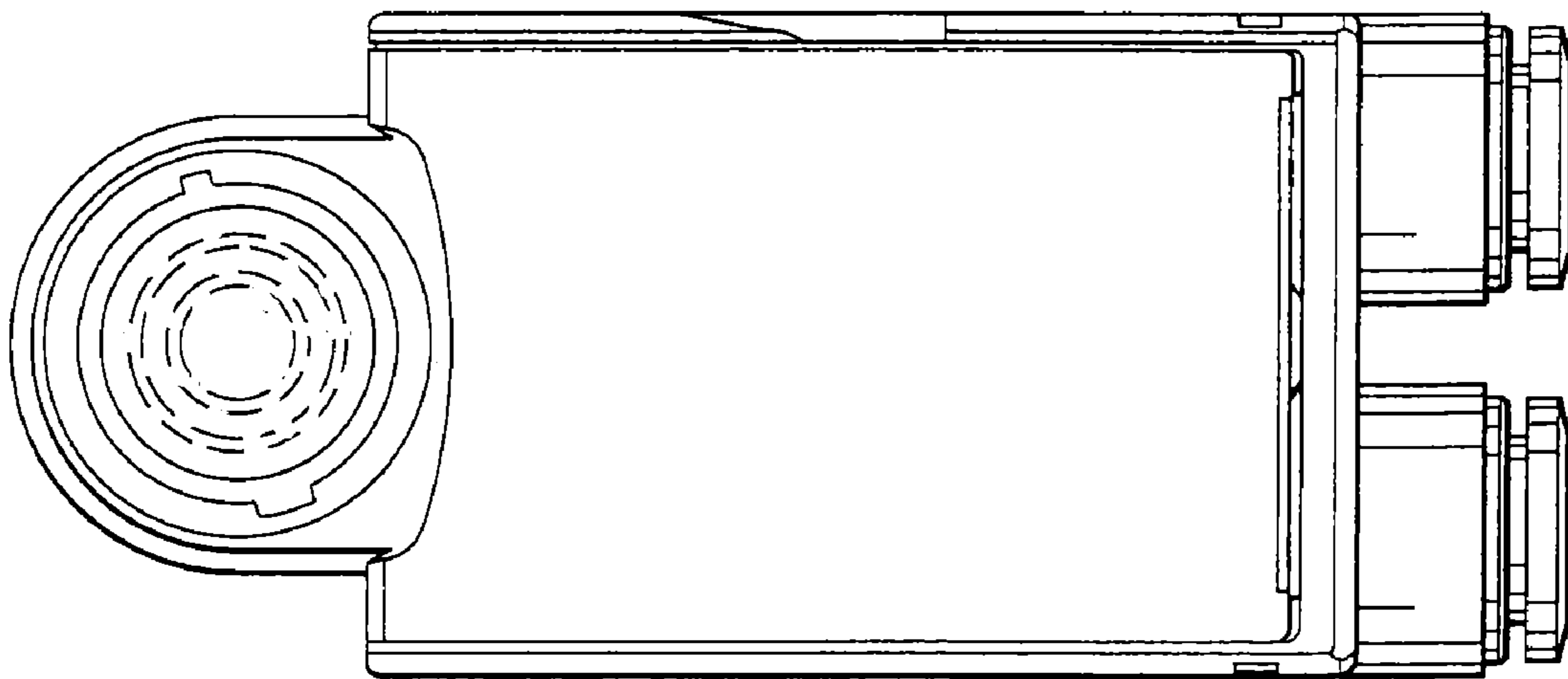


Fig. 3

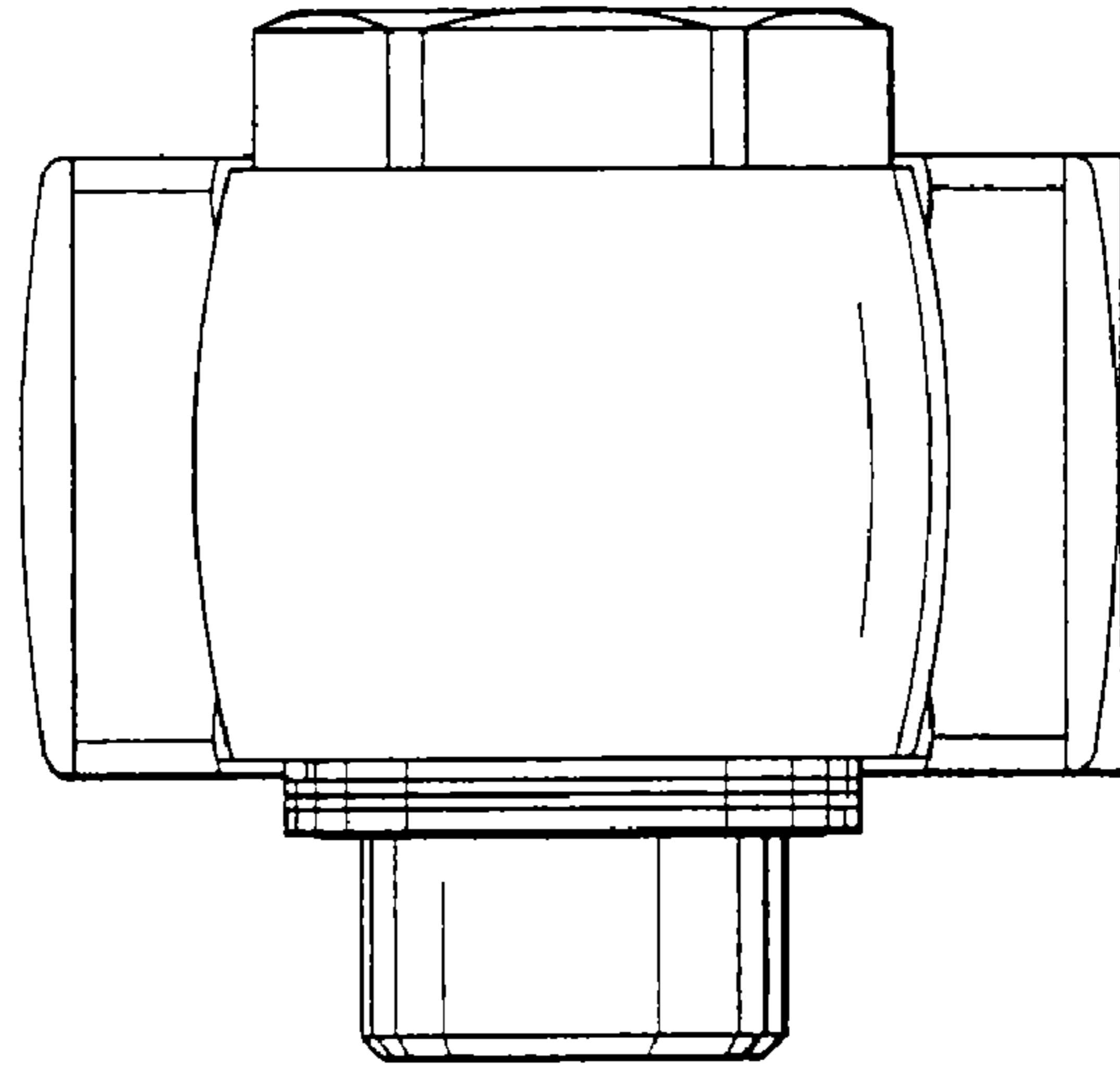


Fig. 4

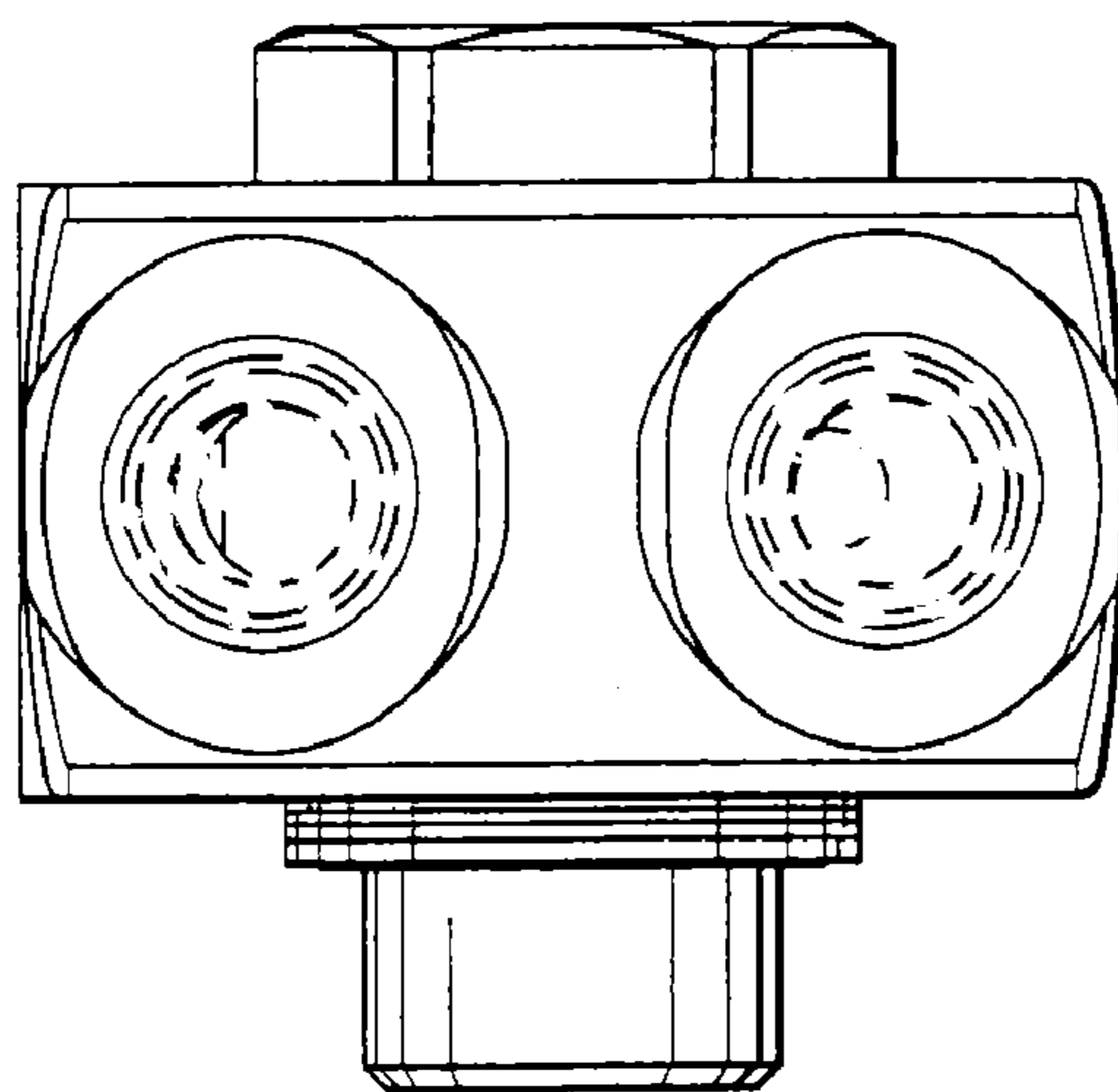


Fig. 5

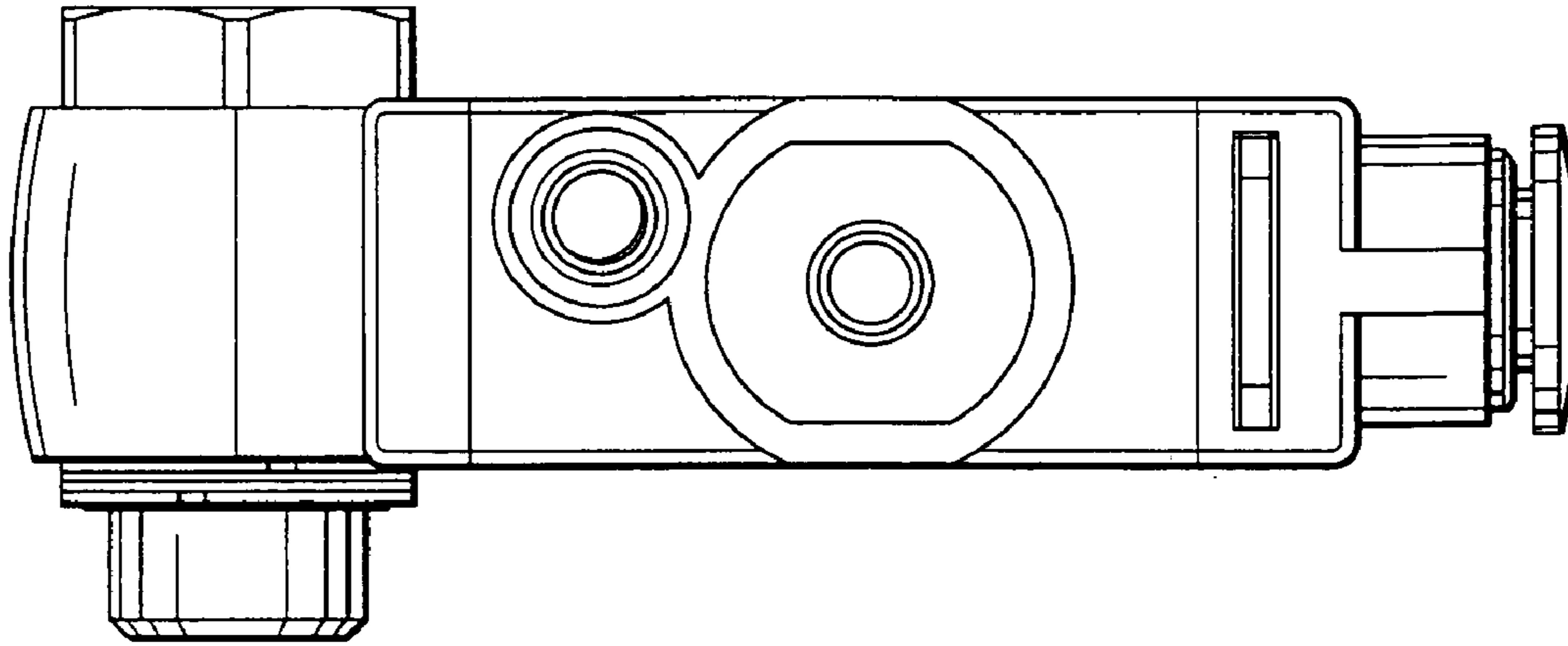


Fig. 6

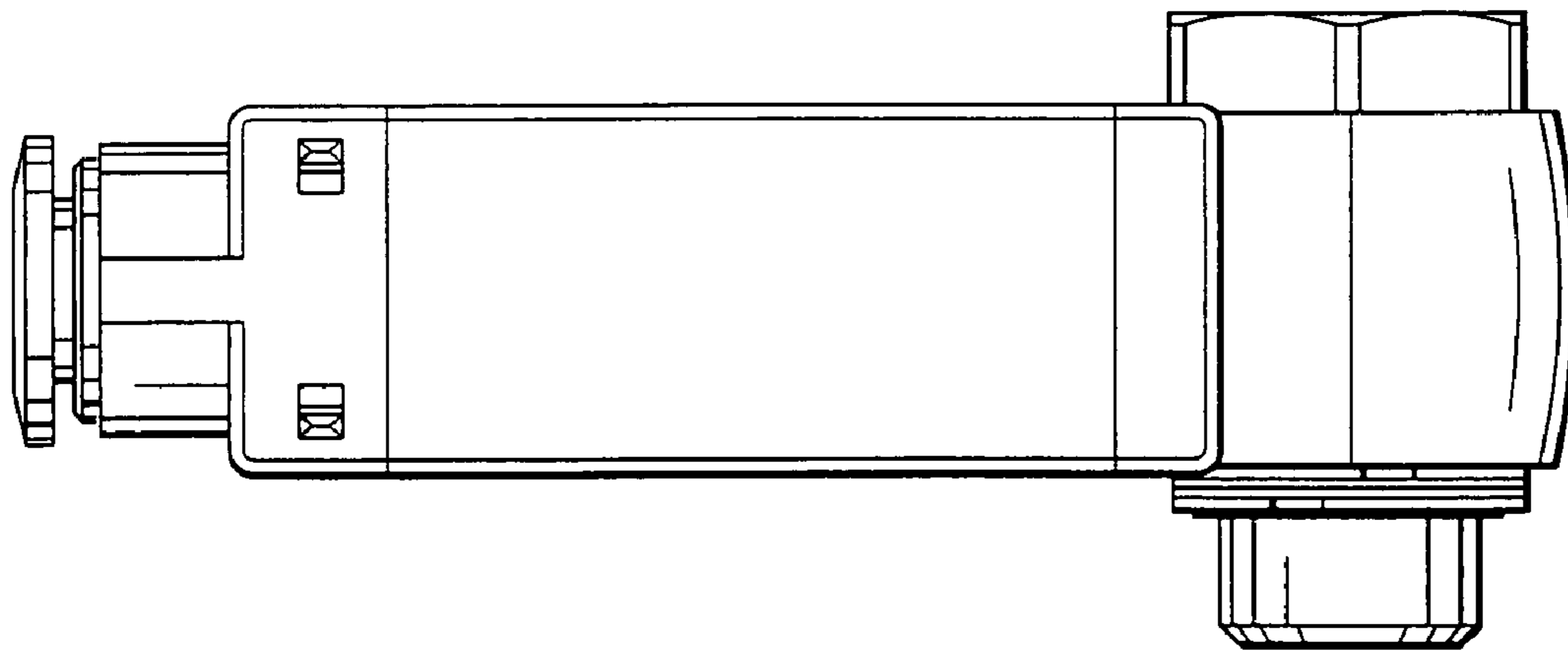


Fig. 7