



US00D607972S

(12) **United States Design Patent**
Wang

(10) **Patent No.:** **US D607,972 S**
(45) **Date of Patent:** **** Jan. 12, 2010**

(54) **PAINT GUN**

D575,374 S * 8/2008 Huang D23/226
D583,013 S * 12/2008 Wang D23/226

(76) Inventor: **Hsing-Tzu Wang**, No. 80, Ta-Hsin St.,
Hsi Dist., Taichung City (TW)

* cited by examiner

(**) Term: **14 Years**

Primary Examiner—Robin V Webster
(74) *Attorney, Agent, or Firm*—Shook, Hardy & Bacon L.L.P.

(21) Appl. No.: **29/336,521**

(57) **CLAIM**

(22) Filed: **May 5, 2009**

The ornamental design for paint gun, as shown and described.

(51) **LOC (9) Cl.** **23-01**

DESCRIPTION

(52) **U.S. Cl.** **D23/226**

(58) **Field of Classification Search** D23/213,
D23/223, 226, 229–230; 239/600–601, DIG. 14,
239/525–526

FIG. 1 is a perspective view of paint gun showing my new design;

FIG. 2 is a front elevational view thereof;

FIG. 3 is a rear elevational view thereof;

FIG. 4 is a left side elevational view thereof;

FIG. 5 is a right side elevational view thereof;

FIG. 6 is a top plan view thereof; and,

FIG. 7 is a bottom plan view thereof.

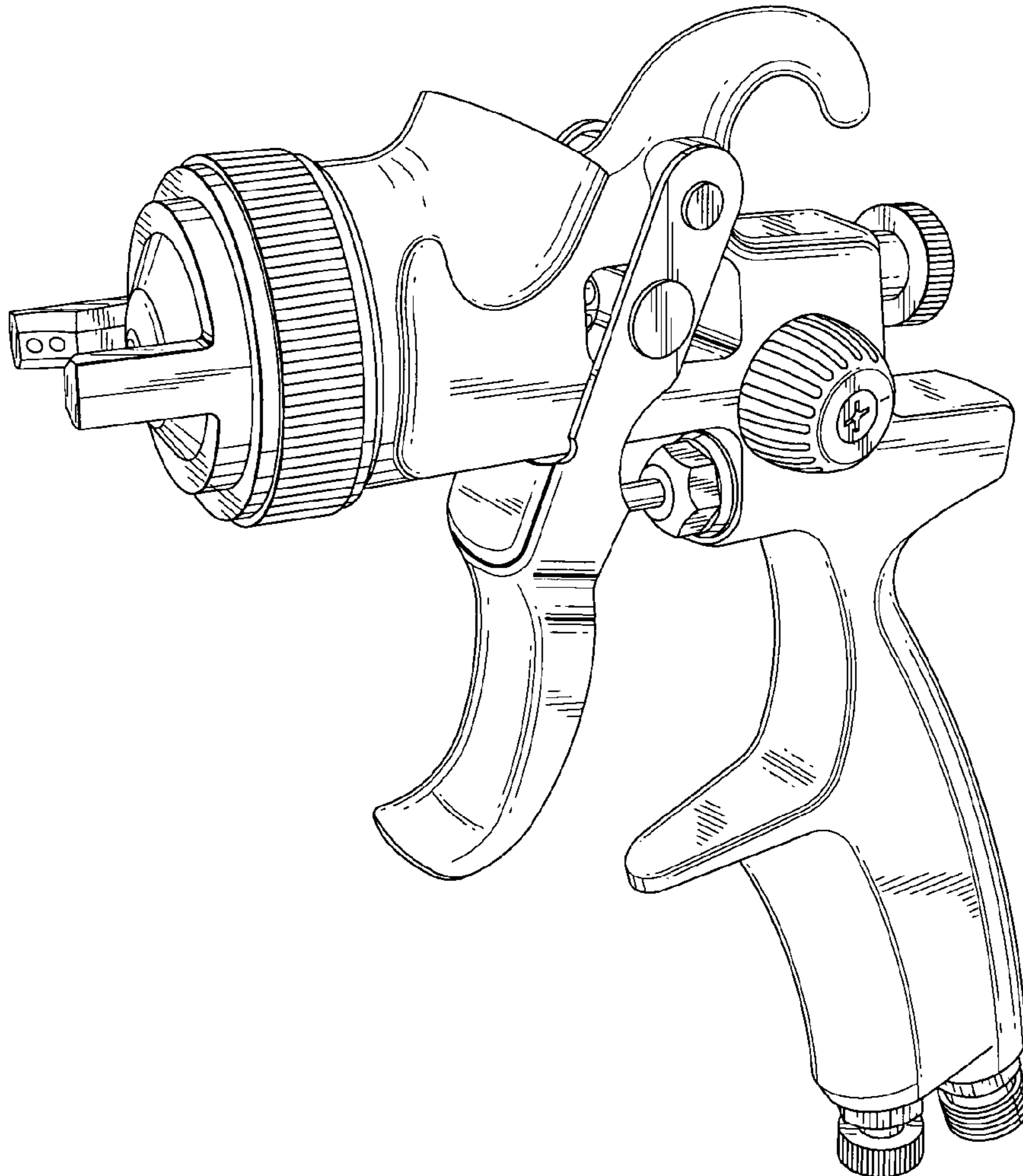
See application file for complete search history.

(56) **References Cited**

U.S. PATENT DOCUMENTS

D548,816 S * 8/2007 Schmon et al. D23/226
D552,715 S * 10/2007 Schmon et al. D23/226
D563,505 S * 3/2008 Schmon et al. D23/226
D570,448 S * 6/2008 Wang D23/226

1 Claim, 6 Drawing Sheets



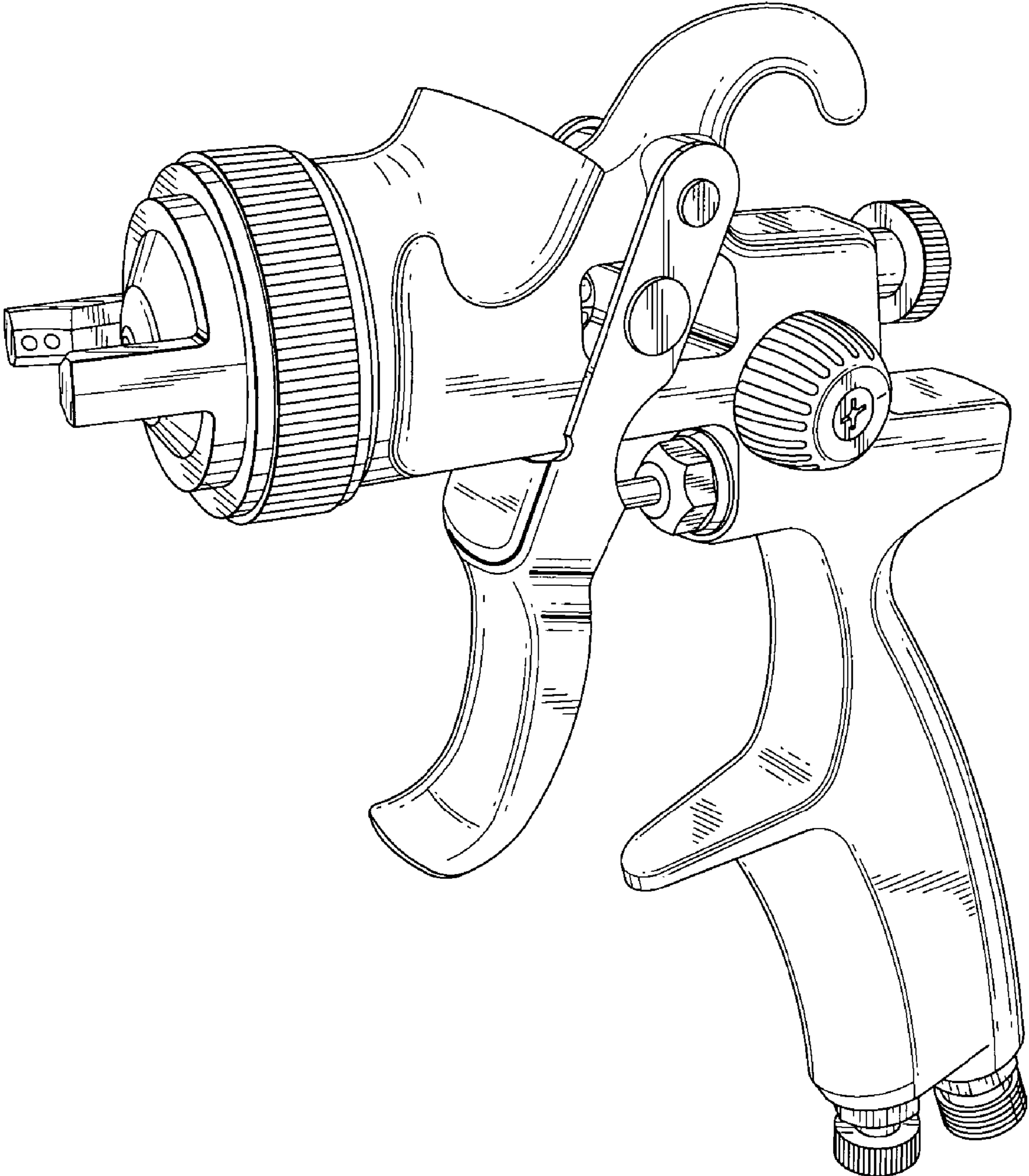


FIG. 1

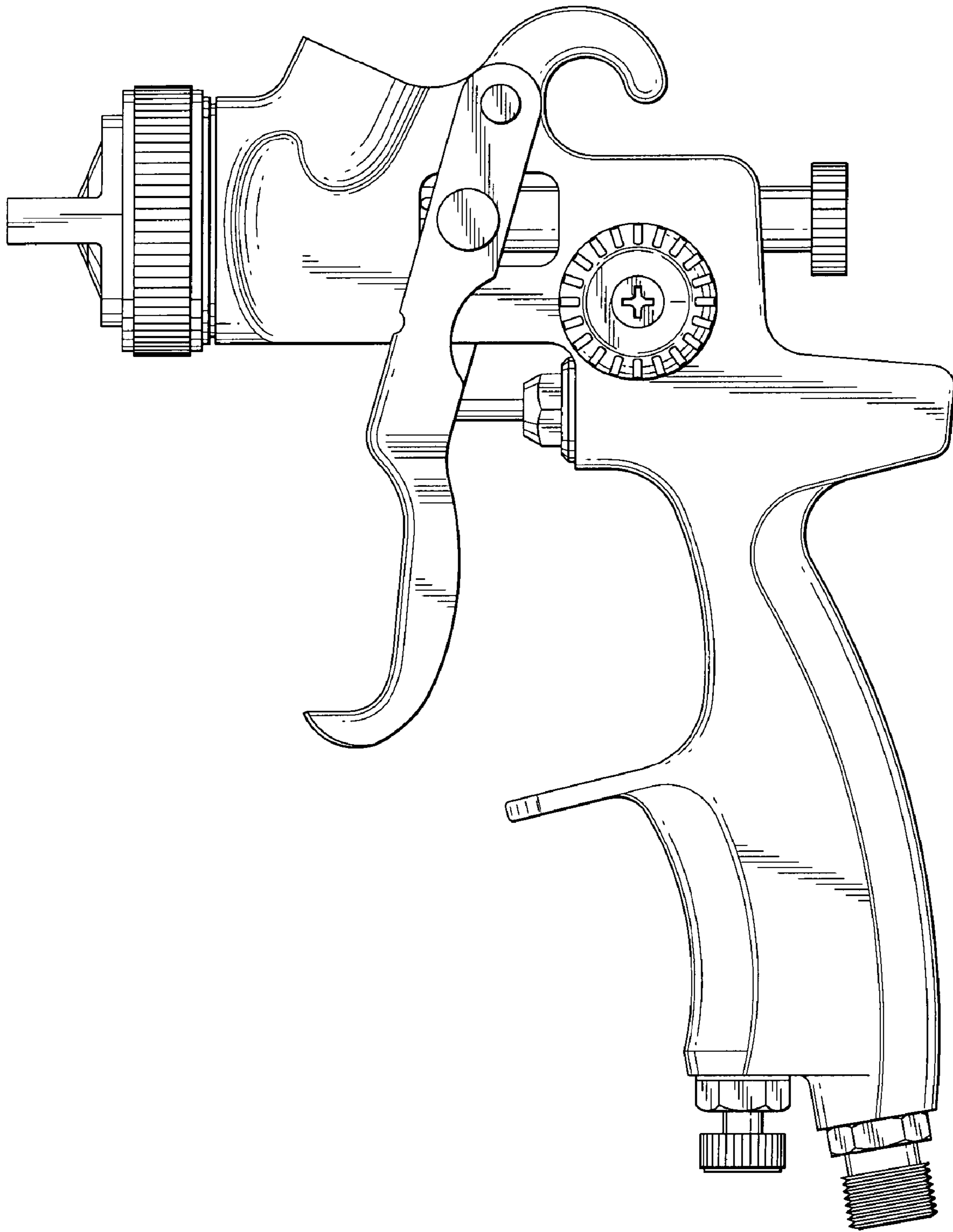


FIG. 2

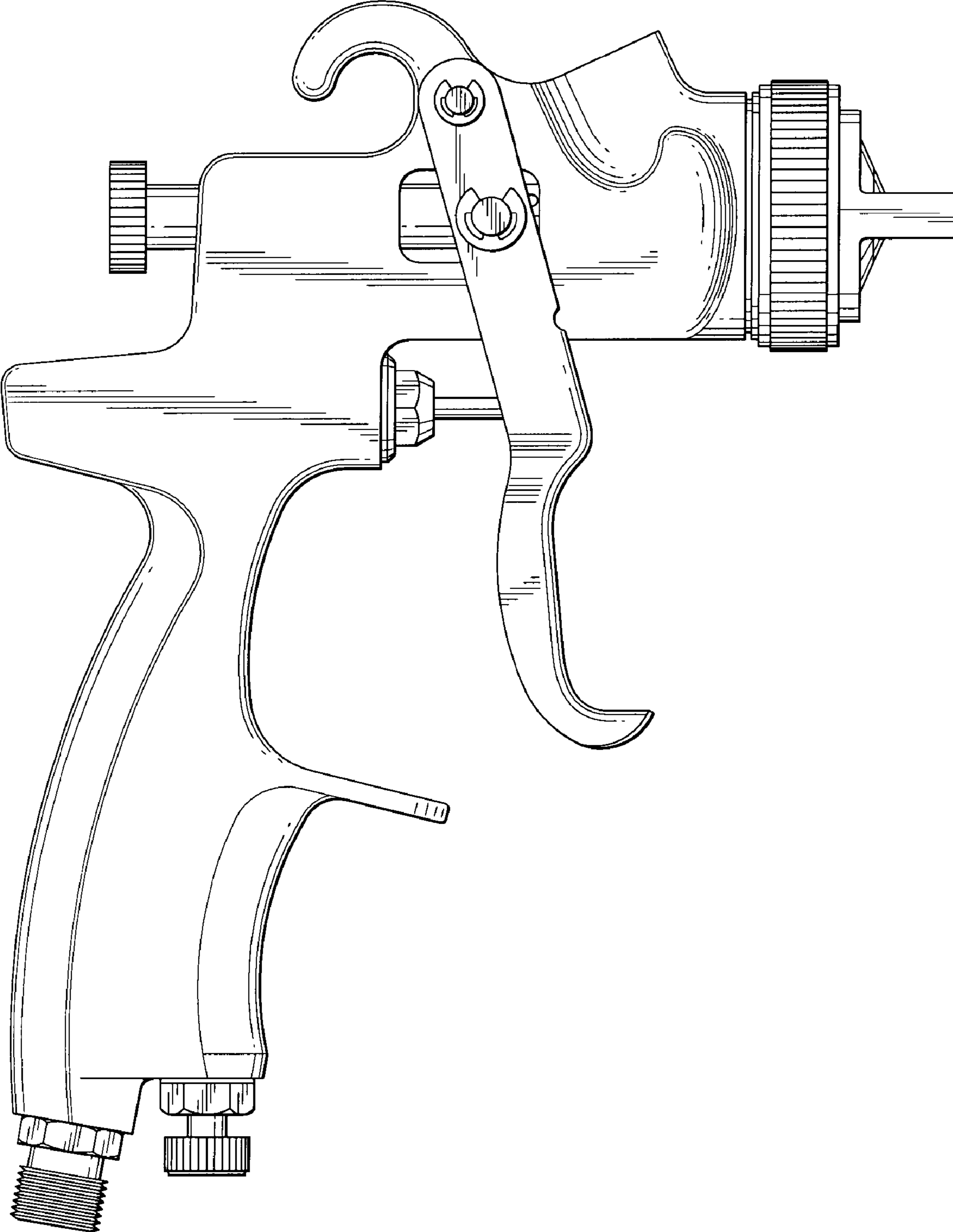


FIG. 3

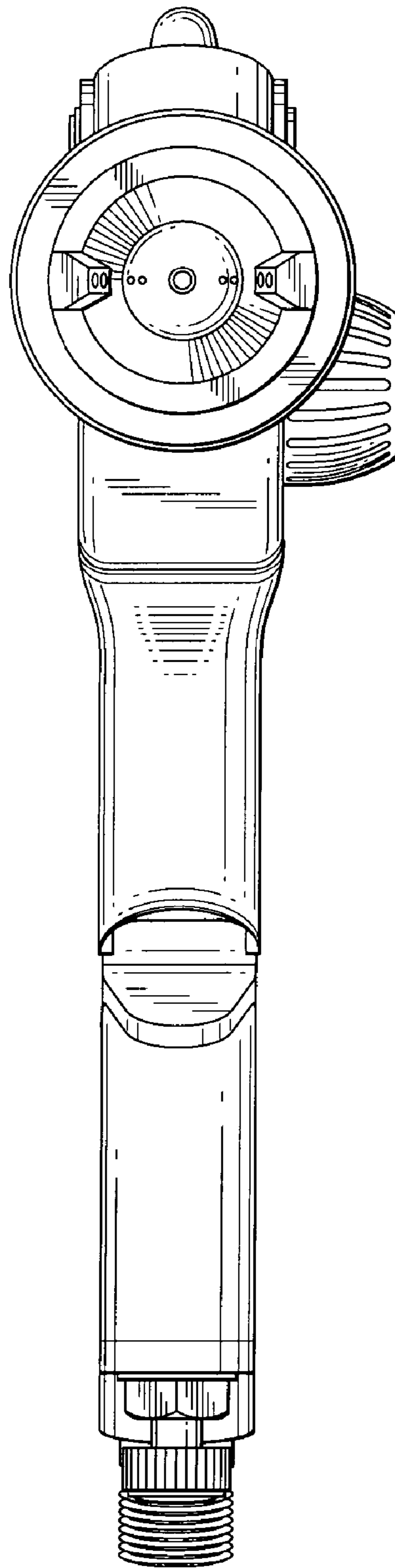


FIG. 4

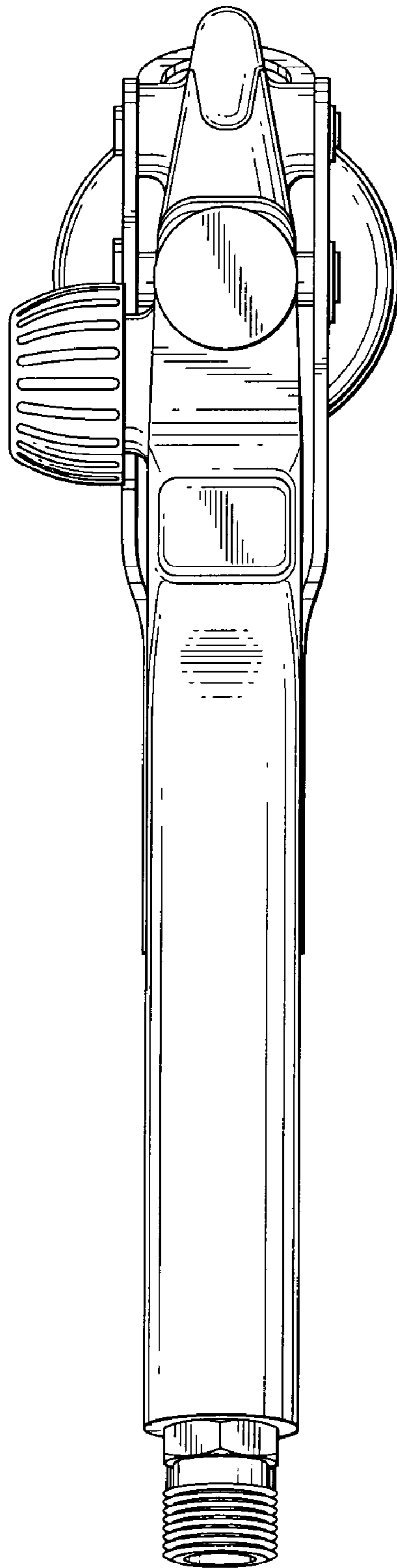


FIG. 5

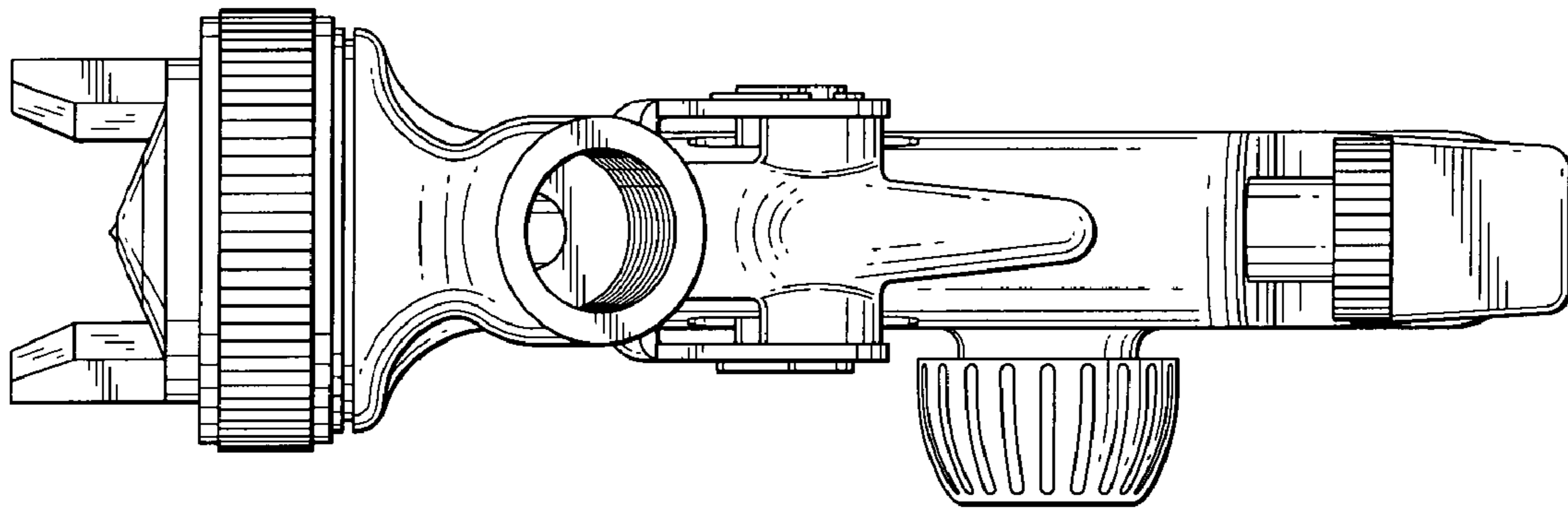


FIG. 6

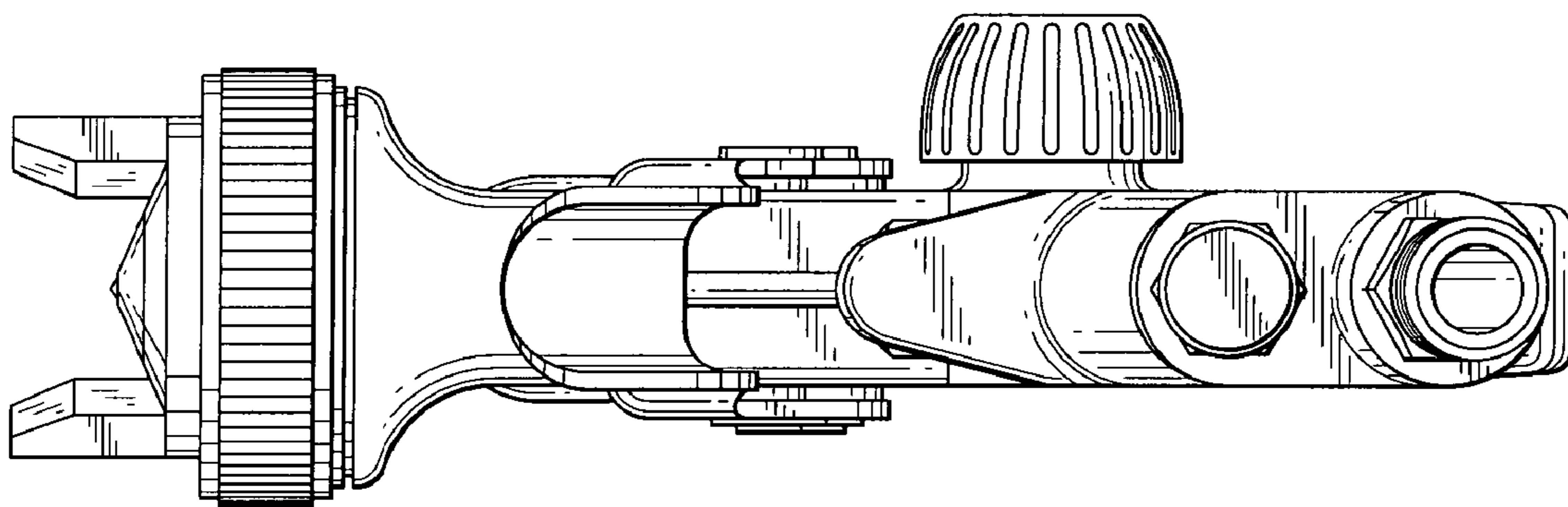


FIG. 7