



US00D607969S

(12) **United States Design Patent**  
**Ariaz**

(10) **Patent No.:** **US D607,969 S**

(45) **Date of Patent:** **\*\* Jan. 12, 2010**

(54) **SPRAYER NOZZLE**

(76) Inventor: **Danny L. Ariaz**, 7575 Tamra Dr., Reno,  
NV (US) 89506

(\*\*) Term: **14 Years**

(21) Appl. No.: **29/332,977**

(22) Filed: **Feb. 27, 2009**

(51) **LOC (9) Cl.** ..... **23-01**

(52) **U.S. Cl.** ..... **D23/213**

(58) **Field of Classification Search** ..... D23/213,  
D23/225; 239/310, 373, 337, 332-333, 152-154;  
D8/2

See application file for complete search history.

(56) **References Cited**

**U.S. PATENT DOCUMENTS**

3,539,110 A \* 11/1970 Kobayashi ..... 239/223  
D299,571 S \* 1/1989 Kiyooka et al. .... D32/15  
7,140,449 B1 \* 11/2006 Ebner ..... 169/12

**OTHER PUBLICATIONS**

Makita 24.5 CC Blower, product literature, www.  
makitafactoryoutlet.com/makita/products/BHX2500.asp, in  
existence before Feb. 27, 2009, 2 pages.

\* cited by examiner

*Primary Examiner*—Robin V Webster

(74) *Attorney, Agent, or Firm*—James F. Hann; Haynes Beffel  
& Wolfeld

(57) **CLAIM**

The ornamental design for a sprayer nozzle, as shown.

**DESCRIPTION**

The sprayer nozzle can be used as a part of a hand carried  
fogger for dispensing liquid-based chemicals.

FIG. 1 is a front, left, top isometric view of a sprayer nozzle  
showing my new design, the remainder of a hand carried  
fogger shown in dashed lines for environmental purposes  
only;

FIG. 2 is a left side elevation view thereof;

FIG. 3 is a top plan view thereof;

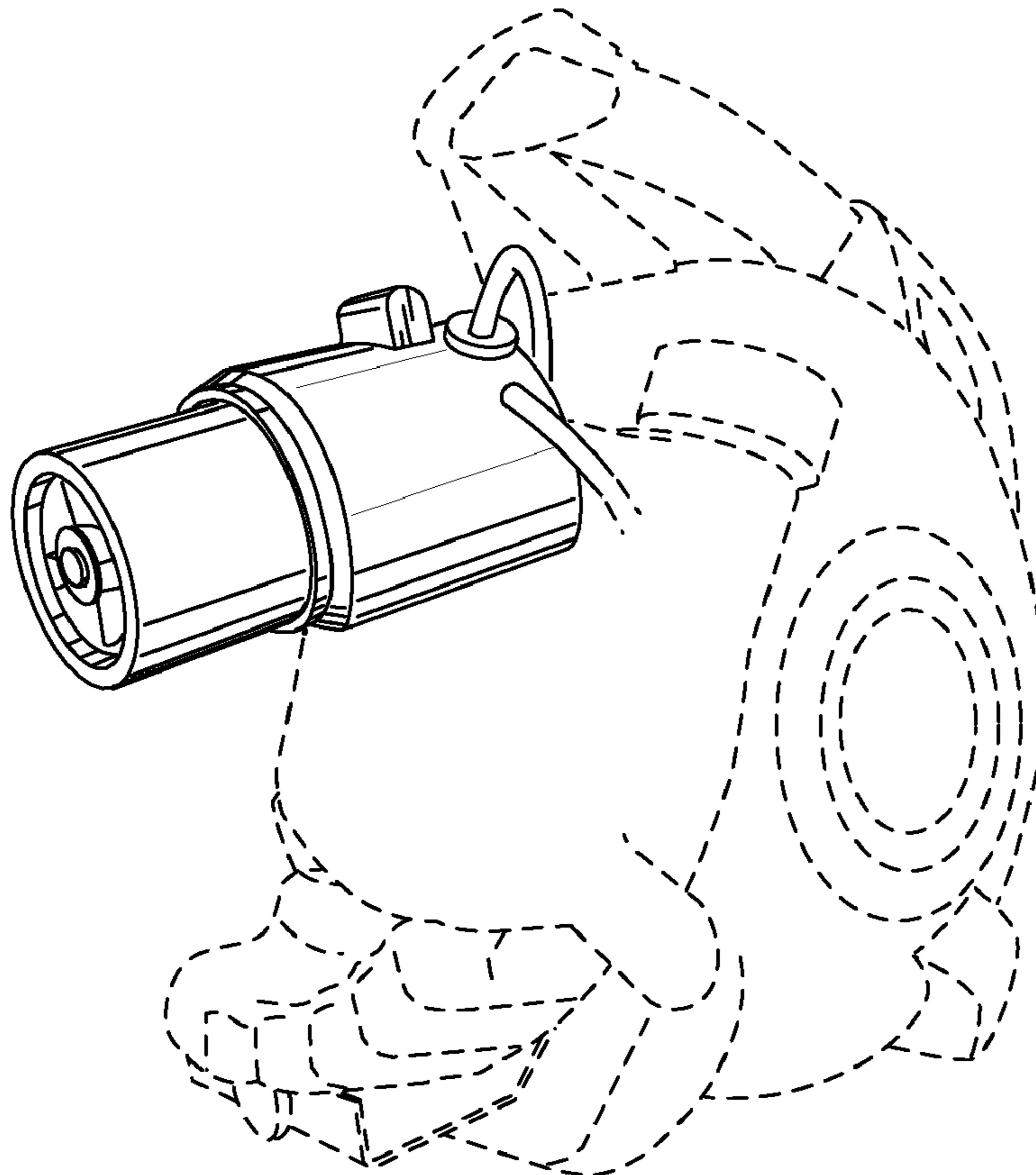
FIG. 4 is a right side elevation view thereof;

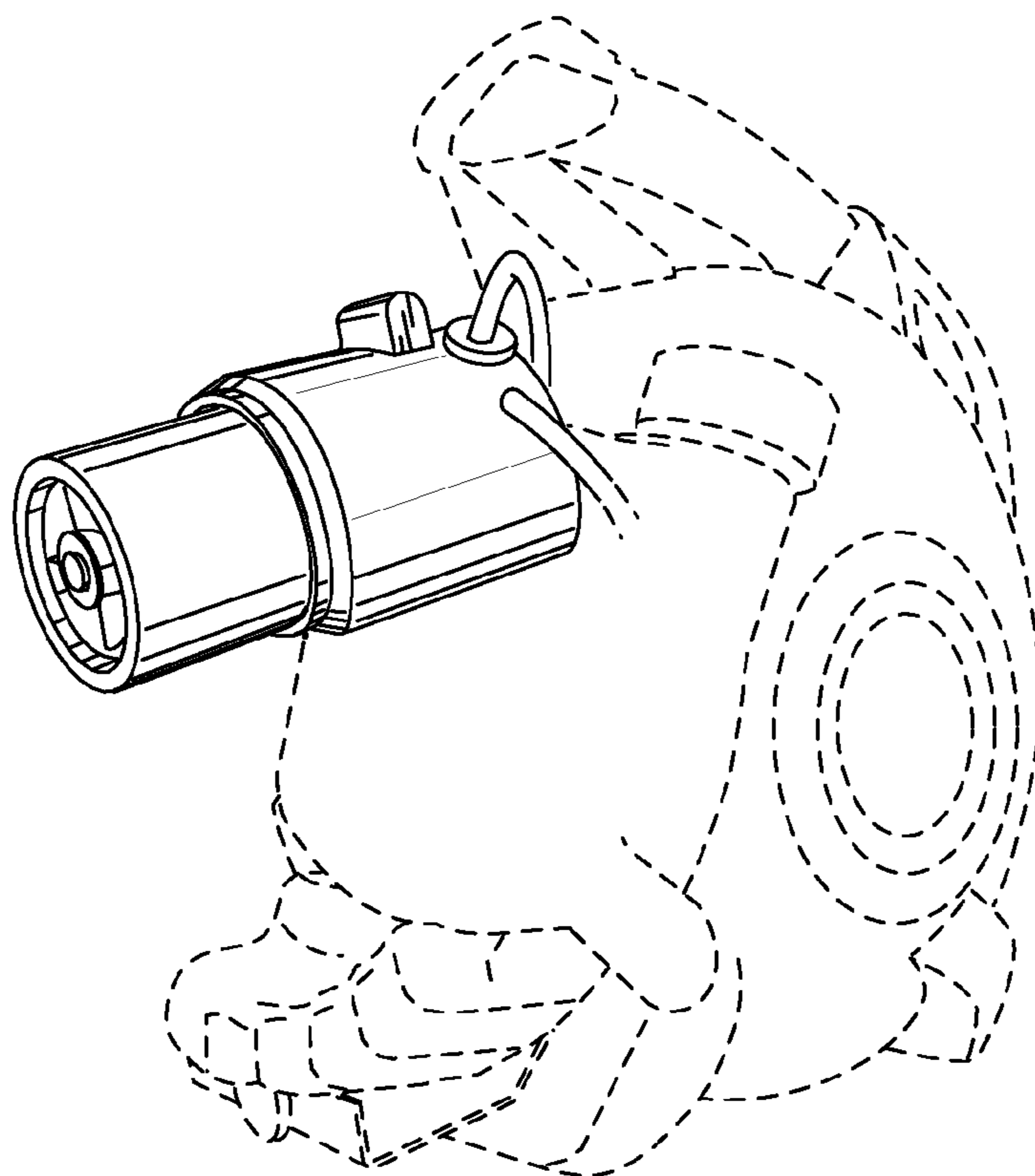
FIG. 5 is a bottom plan view thereof; and,

FIG. 6 is a front, right, top isometric view thereof.

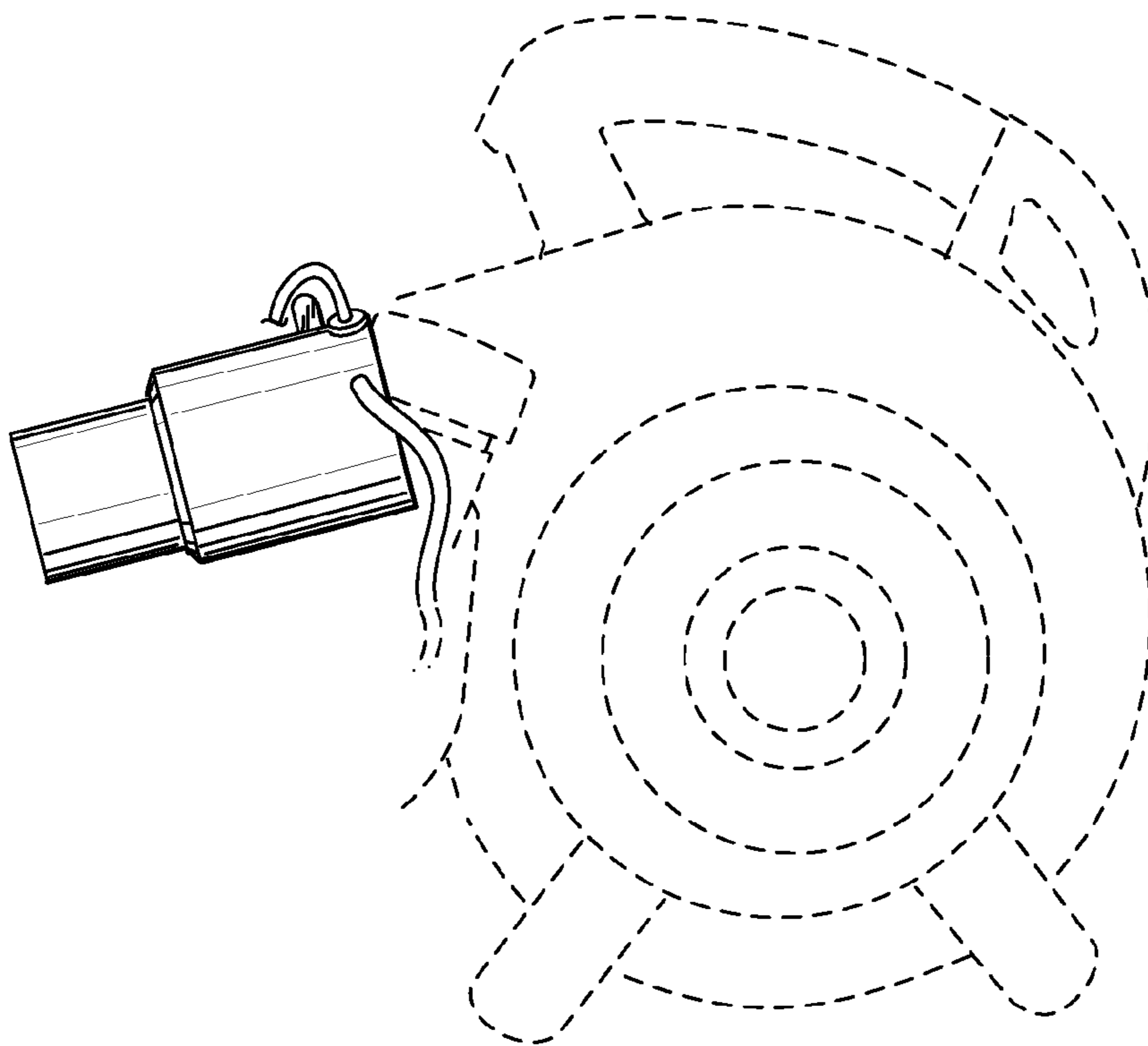
The broken line showing of the hand carried fogger is  
included for the purpose of illustrating and forms no part of  
the claimed design.

**1 Claim, 3 Drawing Sheets**

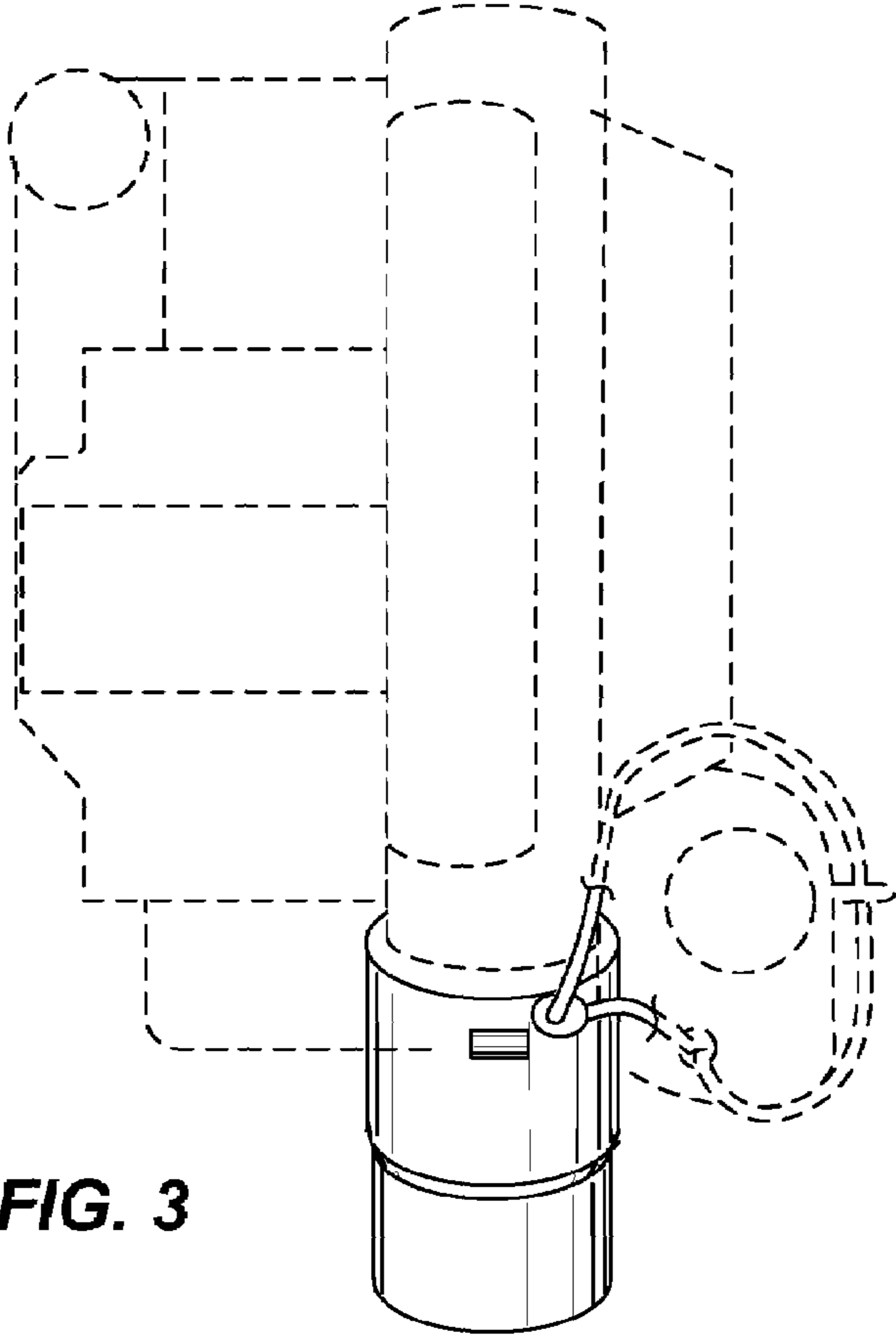




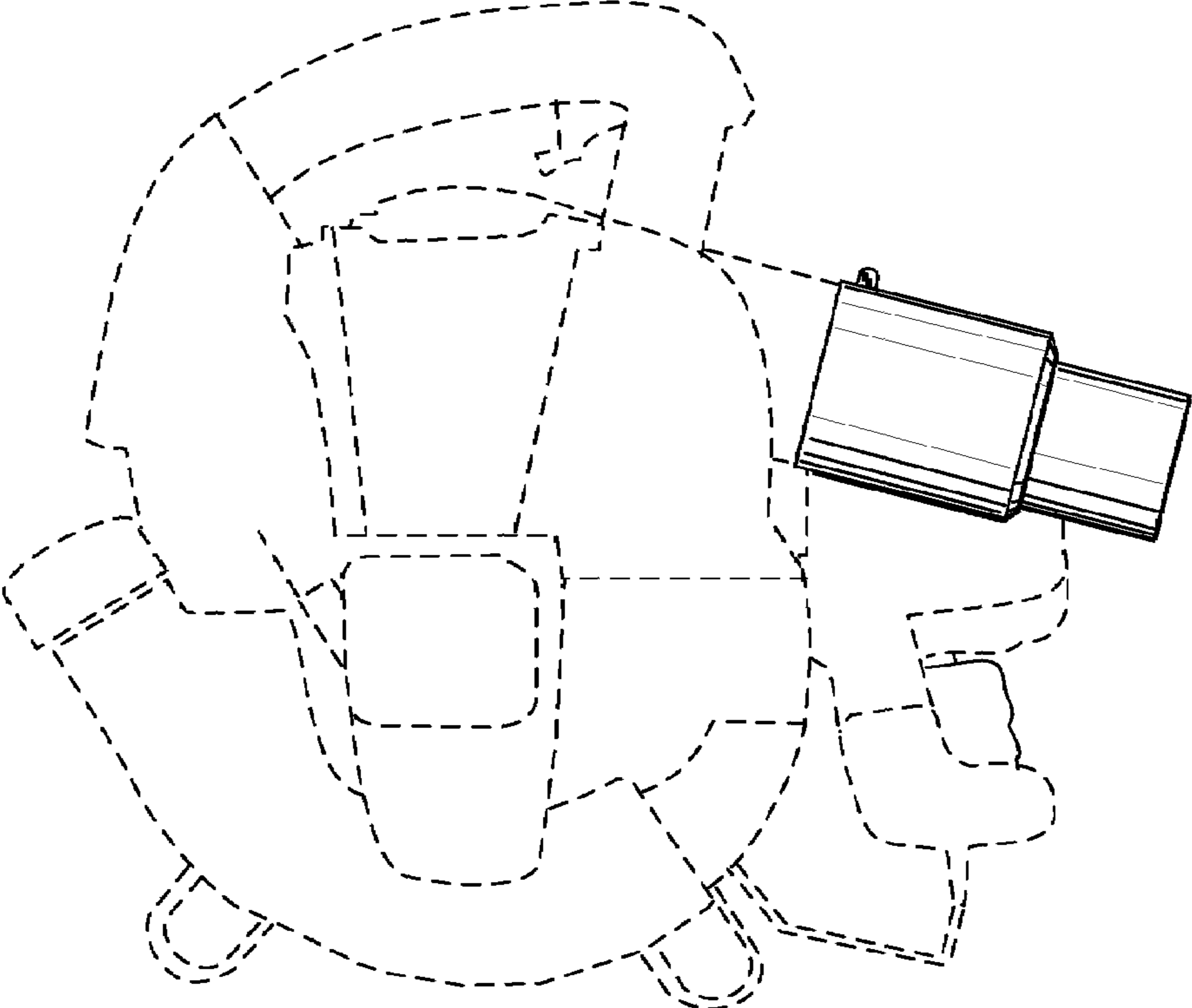
**FIG. 1**



**FIG. 2**



**FIG. 3**



**FIG. 4**

