



US00D607968S

(12) **United States Design Patent**
Wojciechowski et al.

(10) **Patent No.:** **US D607,968 S**
(45) **Date of Patent:** **** Jan. 12, 2010**

(54) **HVLP SPRAYER**

(75) Inventors: **Craig J. Wojciechowski**, Zimmerman, MN (US); **Diane L. Olson**, Princeton, MN (US); **Katherine J. Grathwohl**, Big Lake, MN (US)

(73) Assignee: **Graco Minnesota Inc.**, Minneapolis, MN (US)

(**) Term: **14 Years**

(21) Appl. No.: **29/329,543**

(22) Filed: **Dec. 17, 2008**

(51) **LOC (9) Cl.** **23-01**

(52) **U.S. Cl.** **D23/213; D23/225; D8/2**

(58) **Field of Classification Search** **D23/213, D23/225; 239/310, 373, 337, 332-333, 152-154; D8/2**

See application file for complete search history.

(56) **References Cited**

U.S. PATENT DOCUMENTS

4,925,105 A * 5/1990 Lin 239/154

5,088,903 A * 2/1992 Tomatsu 417/473
6,779,745 B2 * 8/2004 Alexander et al. 239/588
D563,503 S * 3/2008 Monk D23/225
7,434,749 B2 * 10/2008 Wu 239/333

* cited by examiner

Primary Examiner—Robin V Webster

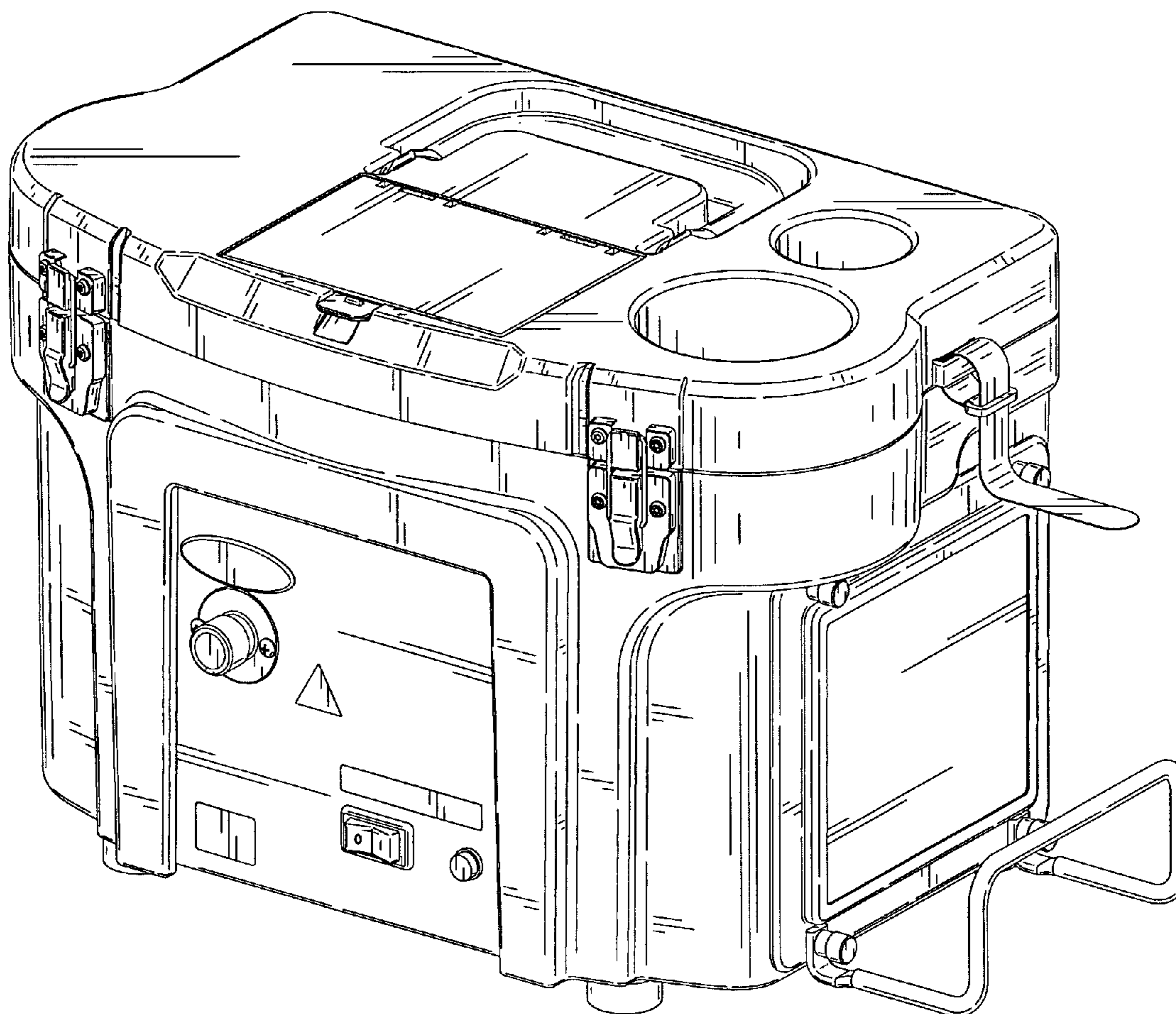
(57) **CLAIM**

The ornamental design for the HVLP sprayer, as shown and described.

DESCRIPTION

FIG. 1 is a front perspective view of the HVLP sprayer;
FIG. 2 is a front elevation view thereof;
FIG. 3 is a bottom elevation view thereof;
FIG. 4 is a right side elevation view thereof;
FIG. 5 is a left side elevation view thereof;
FIG. 6 is a top elevation view thereof; and,
FIG. 7 is a rear elevation view thereof.

1 Claim, 7 Drawing Sheets



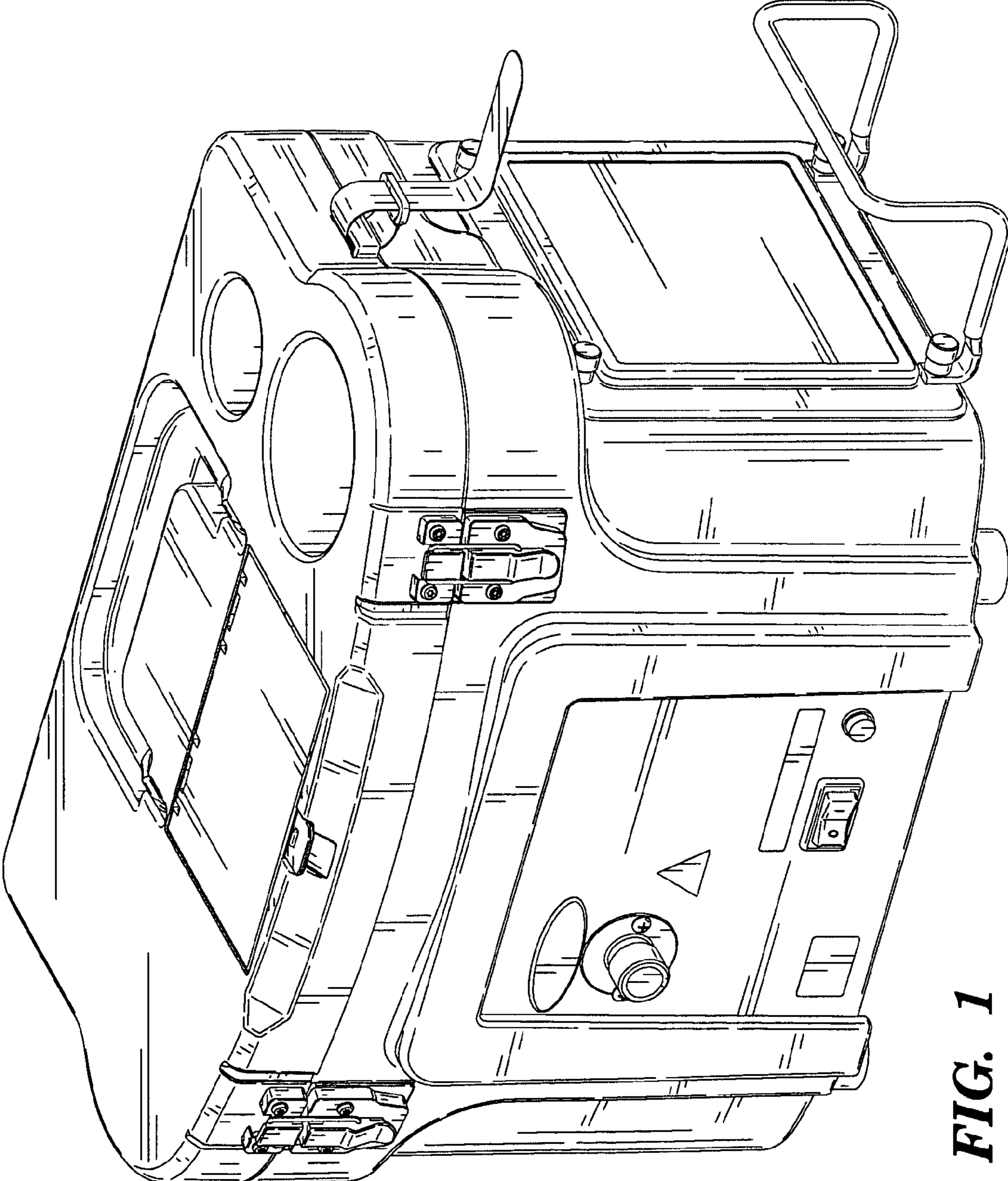


FIG. 1

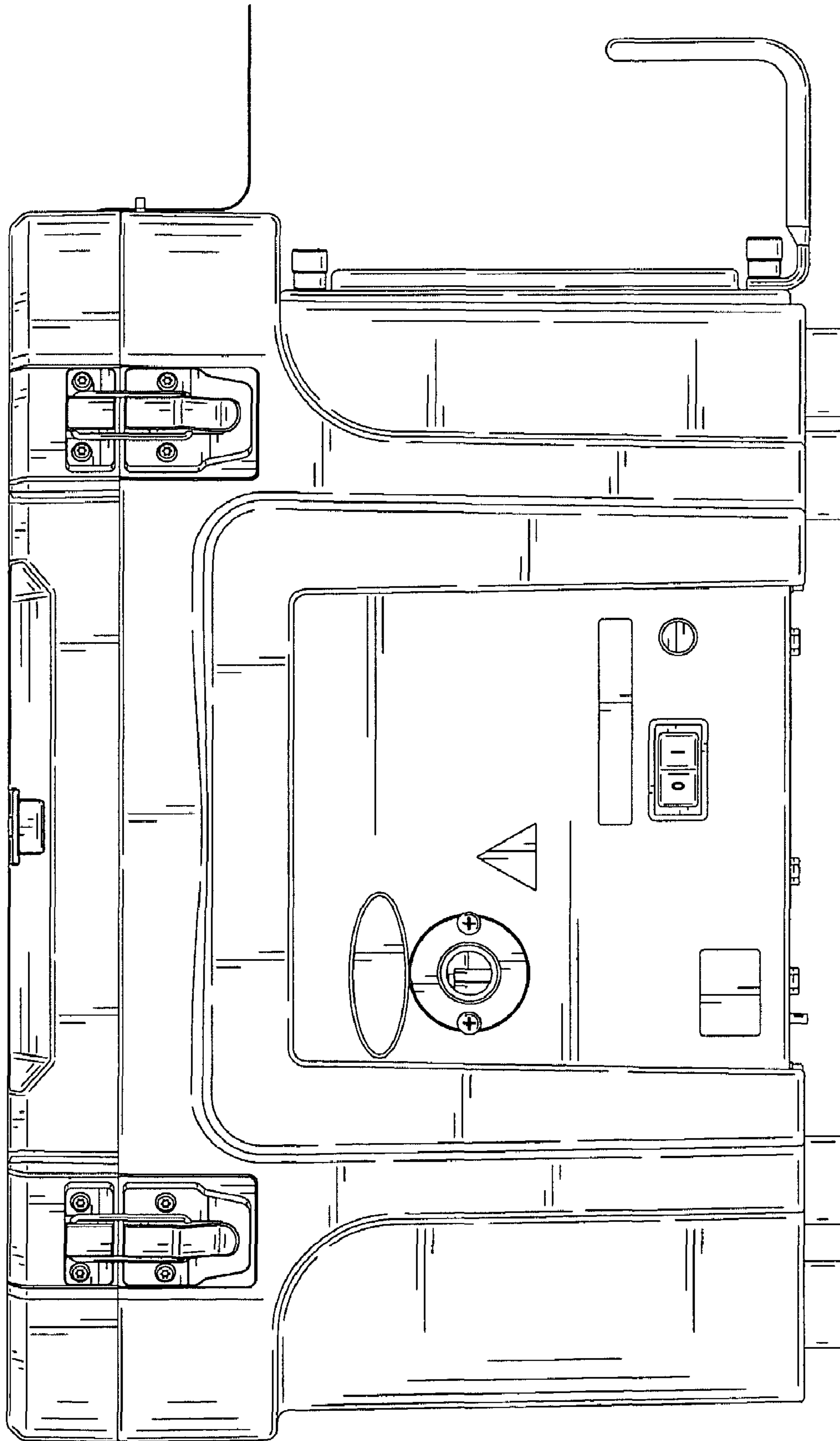


FIG. 2

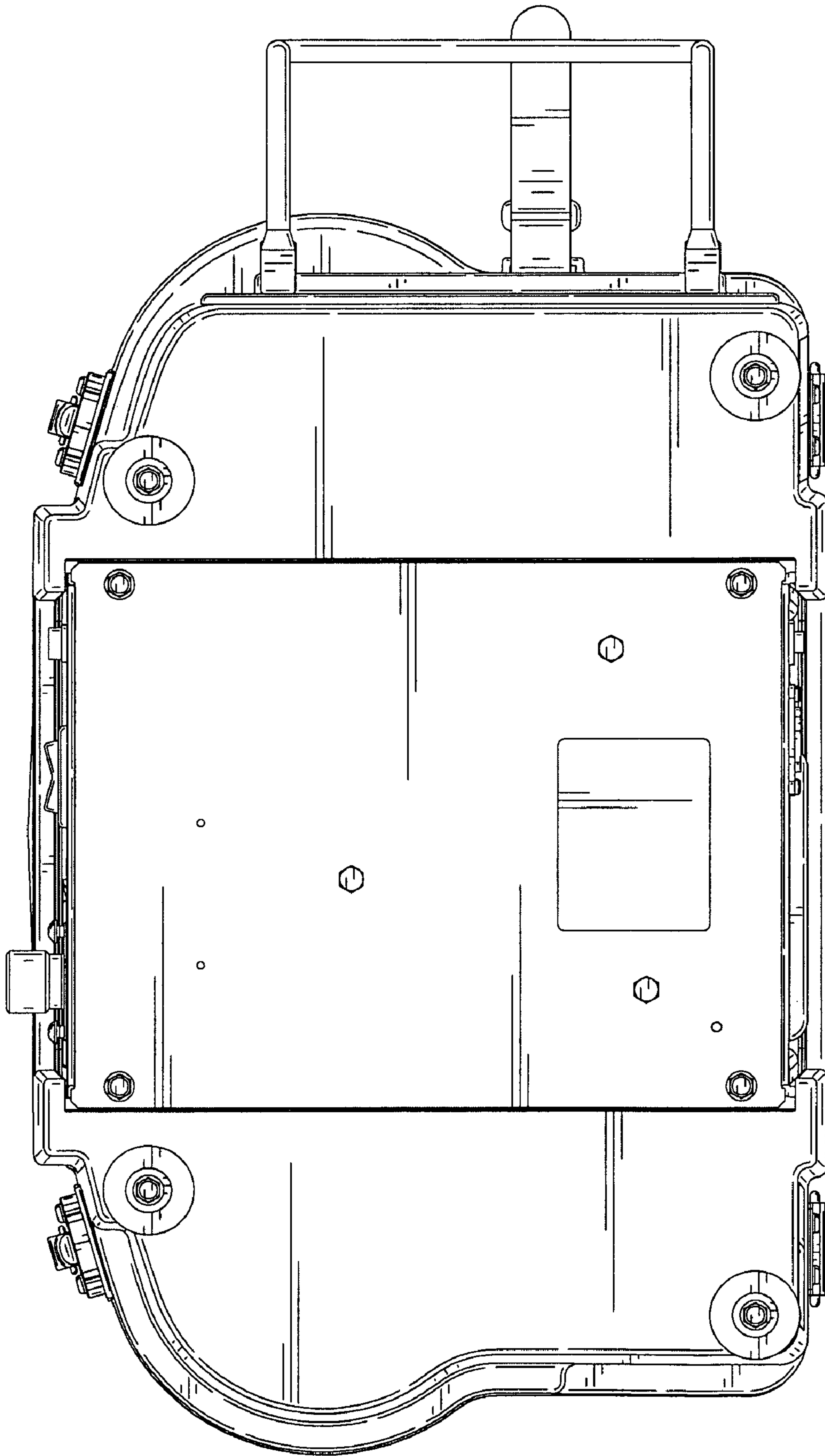


FIG. 3

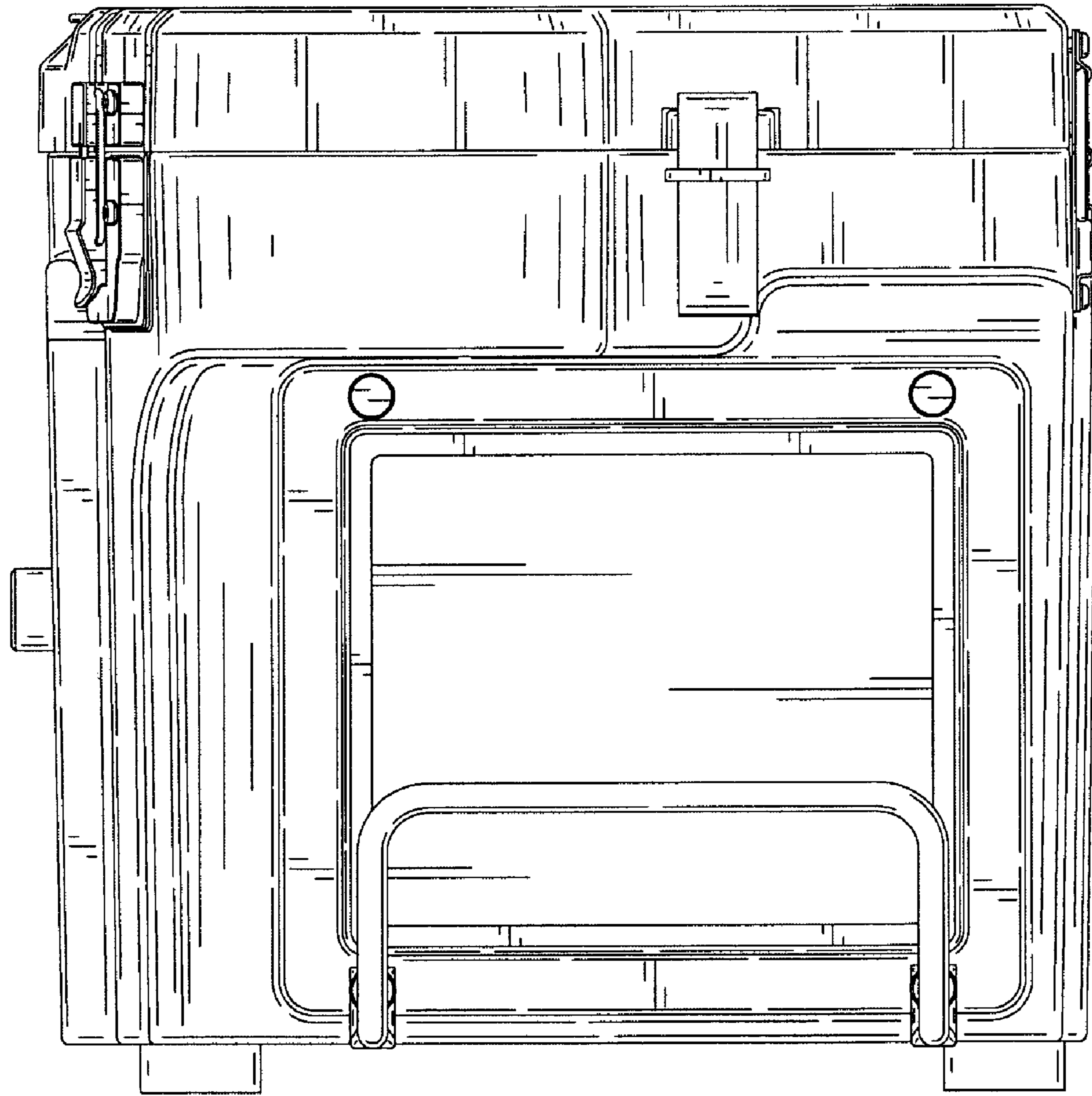


FIG. 4

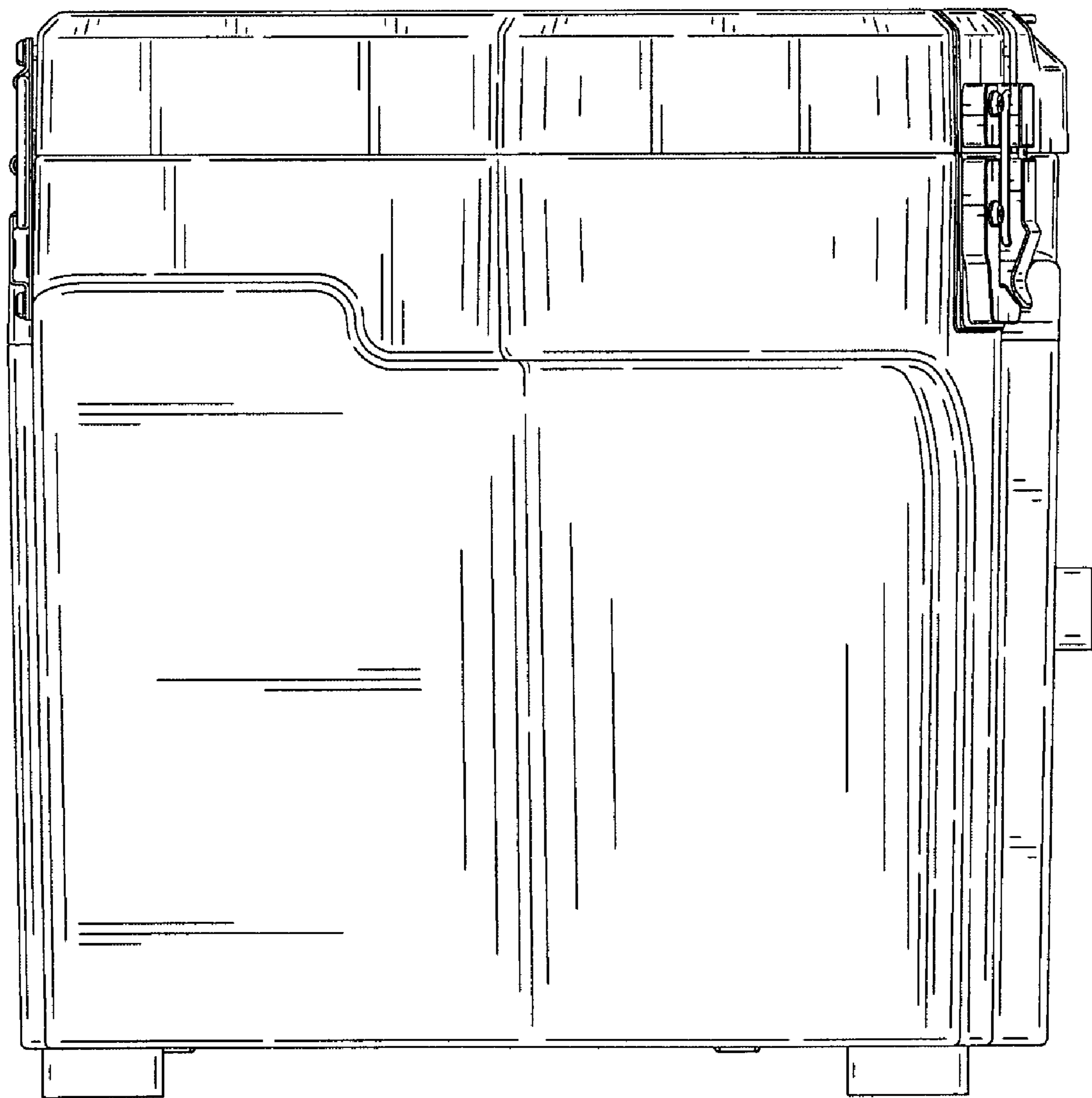


FIG. 5

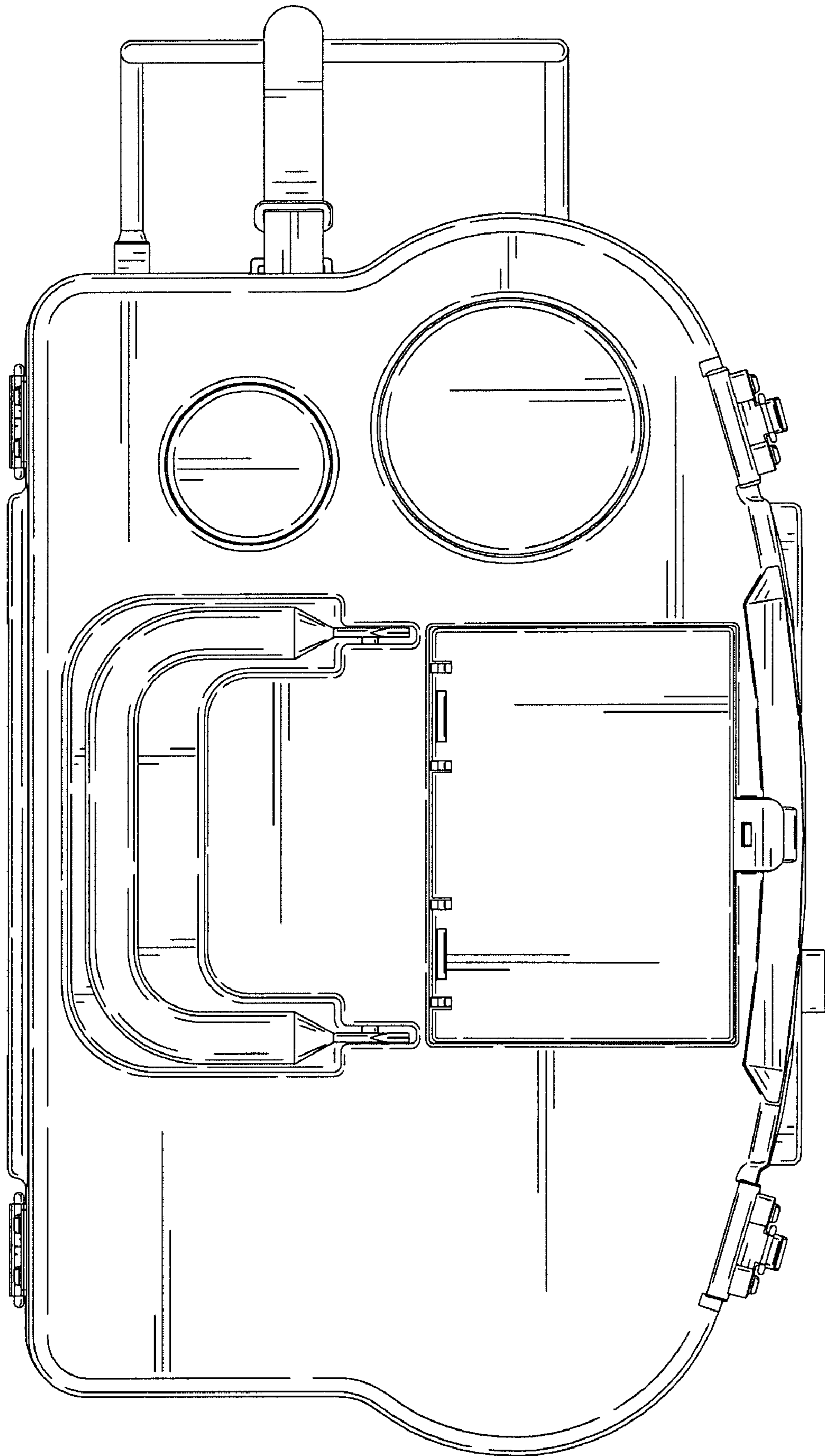


FIG. 6

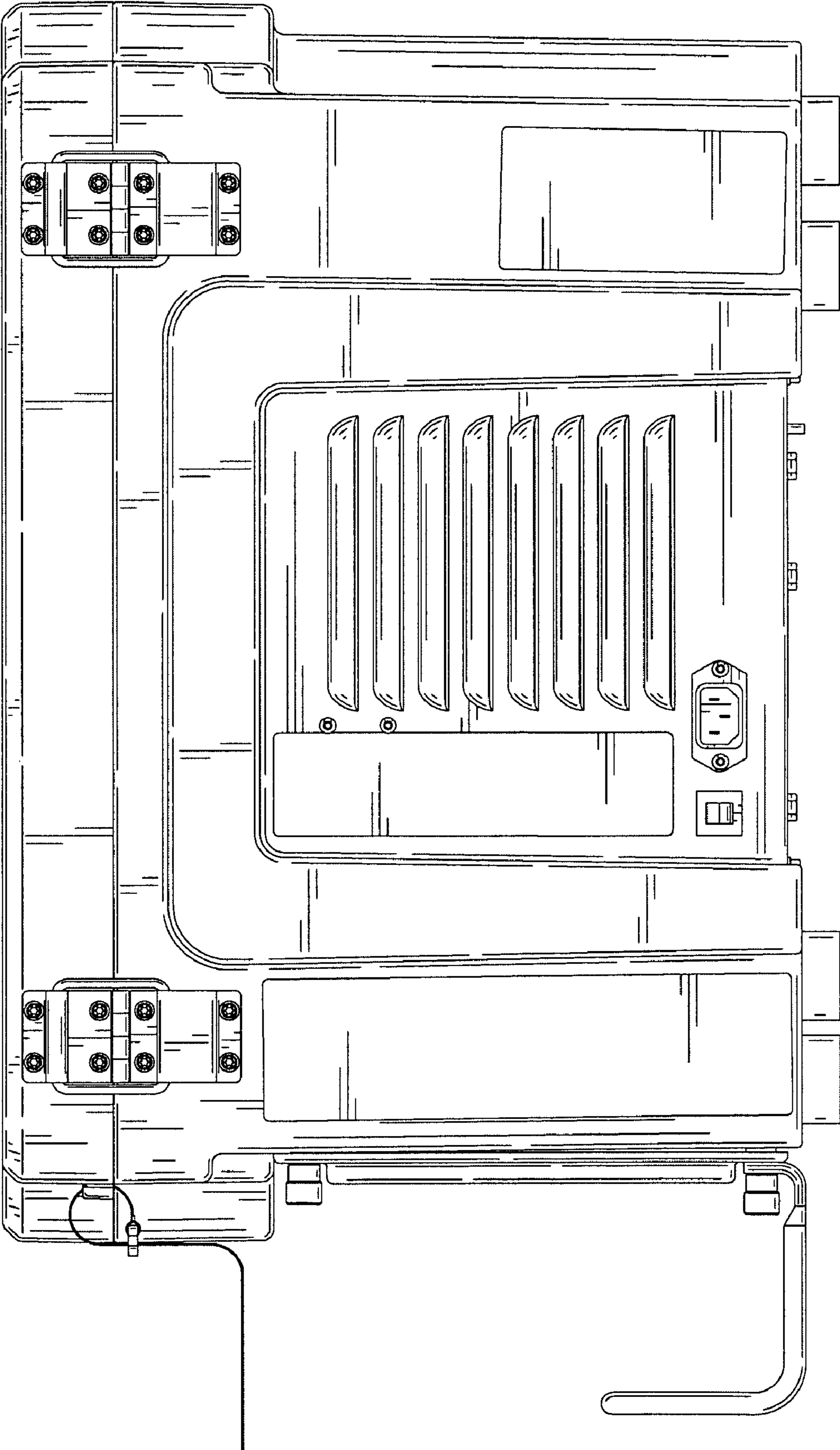


FIG. 7