



US00D607963S

(12) **United States Design Patent**
Baltes

(10) **Patent No.:** **US D607,963 S**
(45) **Date of Patent:** **** Jan. 12, 2010**

(54) **RECESSED FISHING ROD AND BEVERAGE HOLDER**

Primary Examiner—Catherine R Oliver
(74) *Attorney, Agent, or Firm*—McHale & Slavin, P.A.

(75) Inventor: **Michael Baltes**, Hobe Sound, FL (US)

(57) **CLAIM**

(73) Assignee: **MTB Designs, Inc.**, Hobe Sound, FL (US)

The ornamental design for a recessed fishing rod and beverage holder, as shown and described.

(**) Term: **14 Years**

DESCRIPTION

(21) Appl. No.: **29/333,987**

FIG. 1 is a top perspective view of the recessed fishing rod and beverage holder of the instant invention illustrating the device cooperating with a fishing rod;

(22) Filed: **Mar. 18, 2009**

FIG. 2 is a top perspective view thereof illustrating the device cooperating with a beverage;

(51) **LOC (9) Cl.** **22-05**

(52) **U.S. Cl.** **D22/147**

(58) **Field of Classification Search** D22/147–148,
D22/138–139; 43/21.2, 16–17; 248/530–532,
248/535, 156; D6/416, 418, 552; 211/60,
211/70.8, 70.2

FIG. 3 is a right side view thereof, the left side view being a mirror image thereof;

See application file for complete search history.

FIG. 4 is a front view thereof;

FIG. 5 is a rear view thereof;

(56) **References Cited**

U.S. PATENT DOCUMENTS

D377,387 S * 1/1997 Mathewson D22/147

D390,308 S * 2/1998 Sieland et al. D22/147

D399,367 S * 10/1998 Sieland et al. D6/416

D499,789 S * 12/2004 Bridgewater D22/147

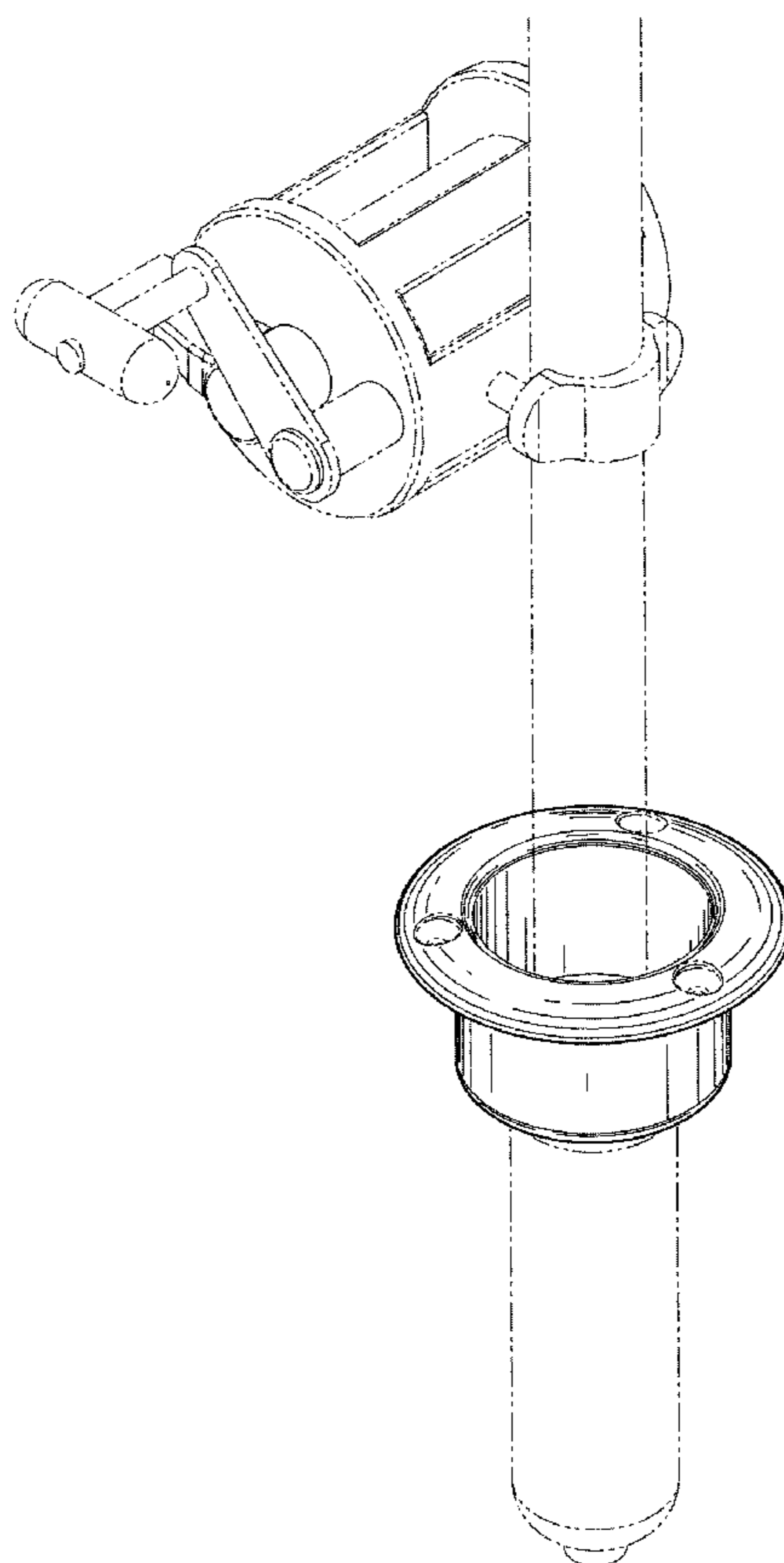
FIG. 6 is a top view thereof; and,

FIG. 7 is a bottom view thereof.

The portions of the Figures shown in broken lines are for illustrative purposes only and form no part of the claimed design.

* cited by examiner

1 Claim, 4 Drawing Sheets



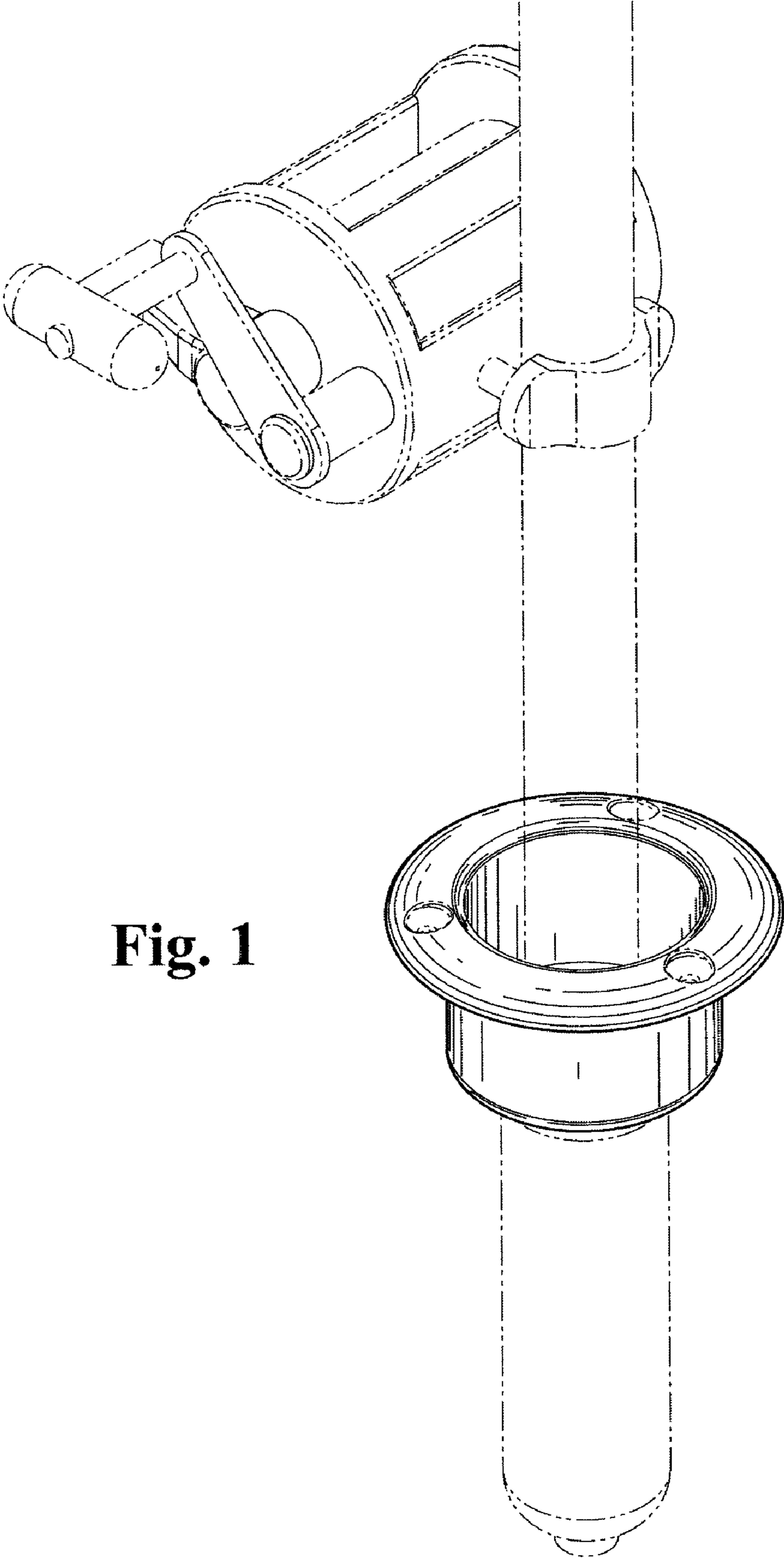


Fig. 1

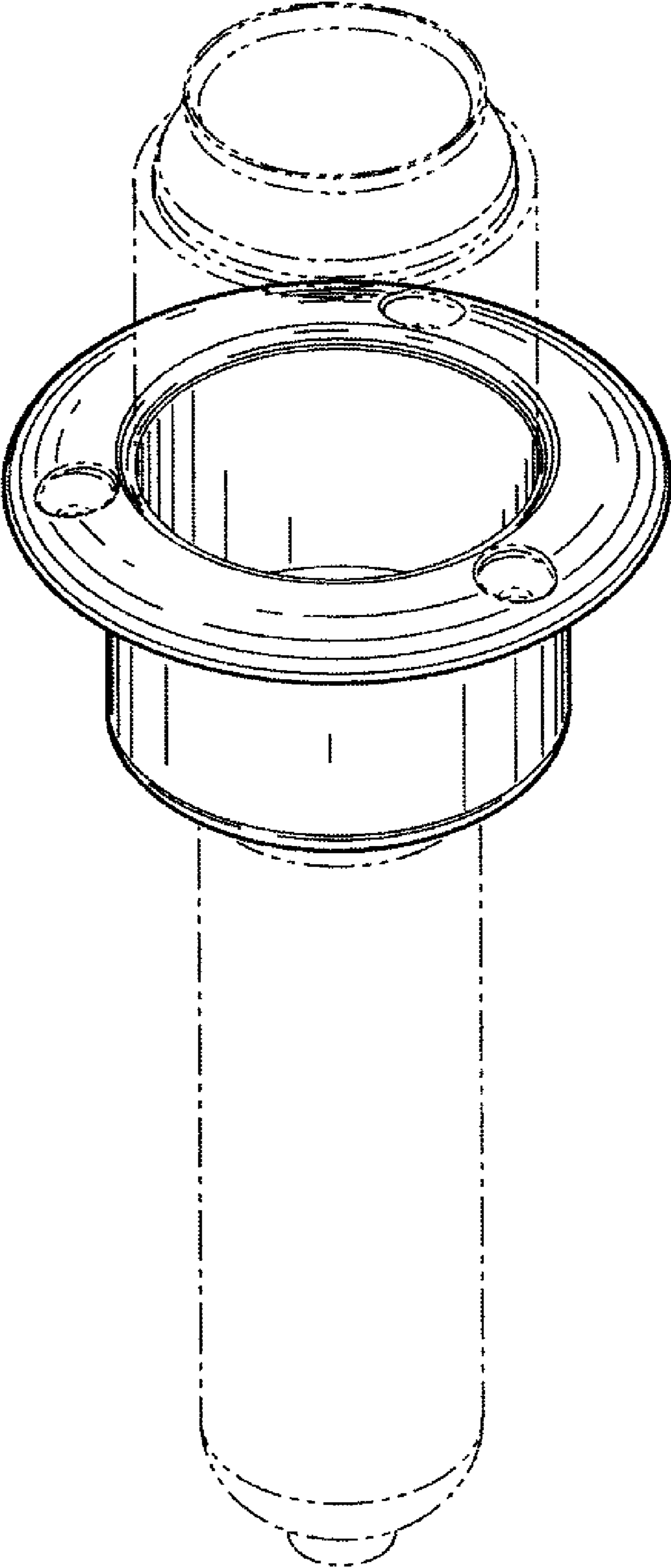


Fig. 2

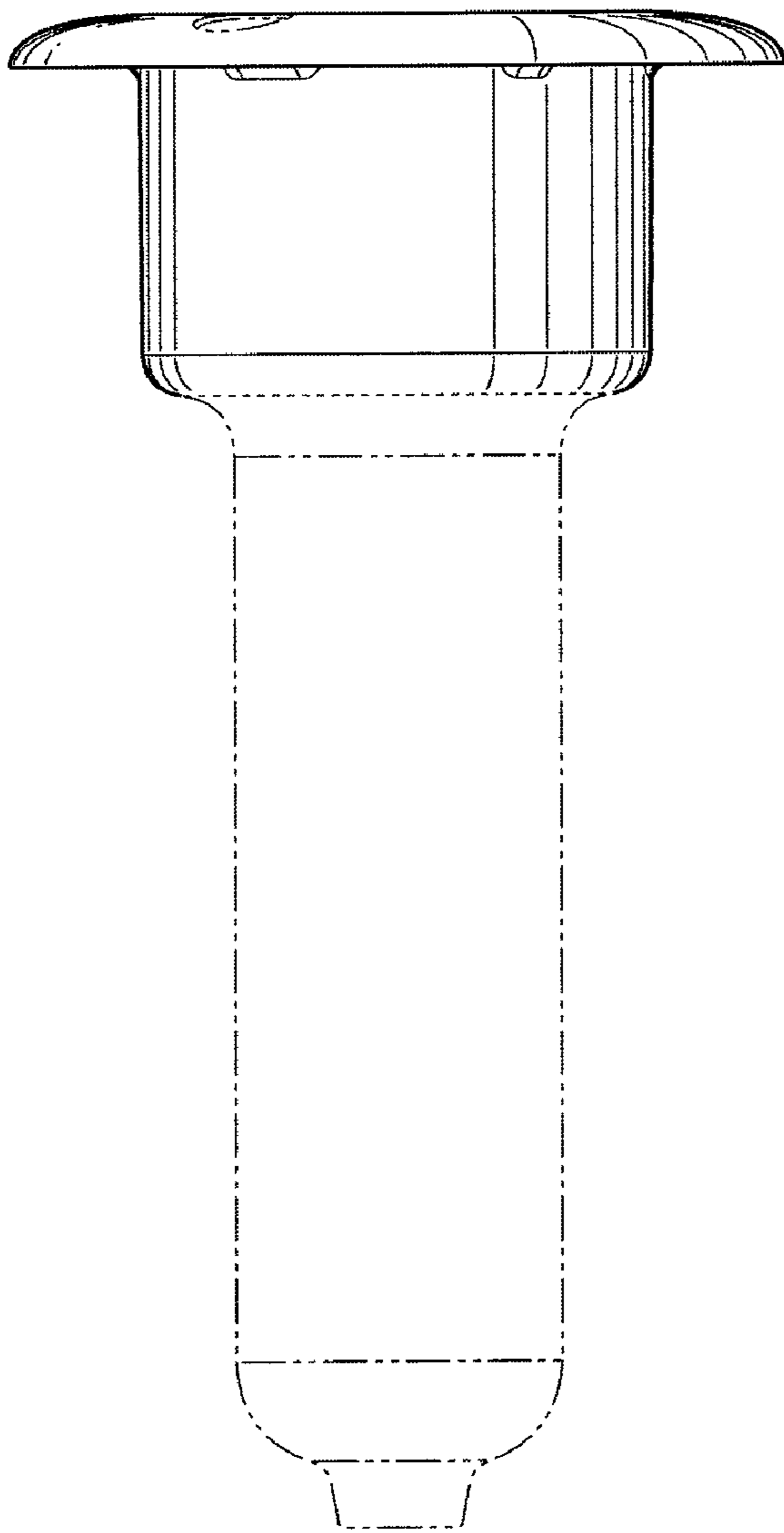


Fig. 3

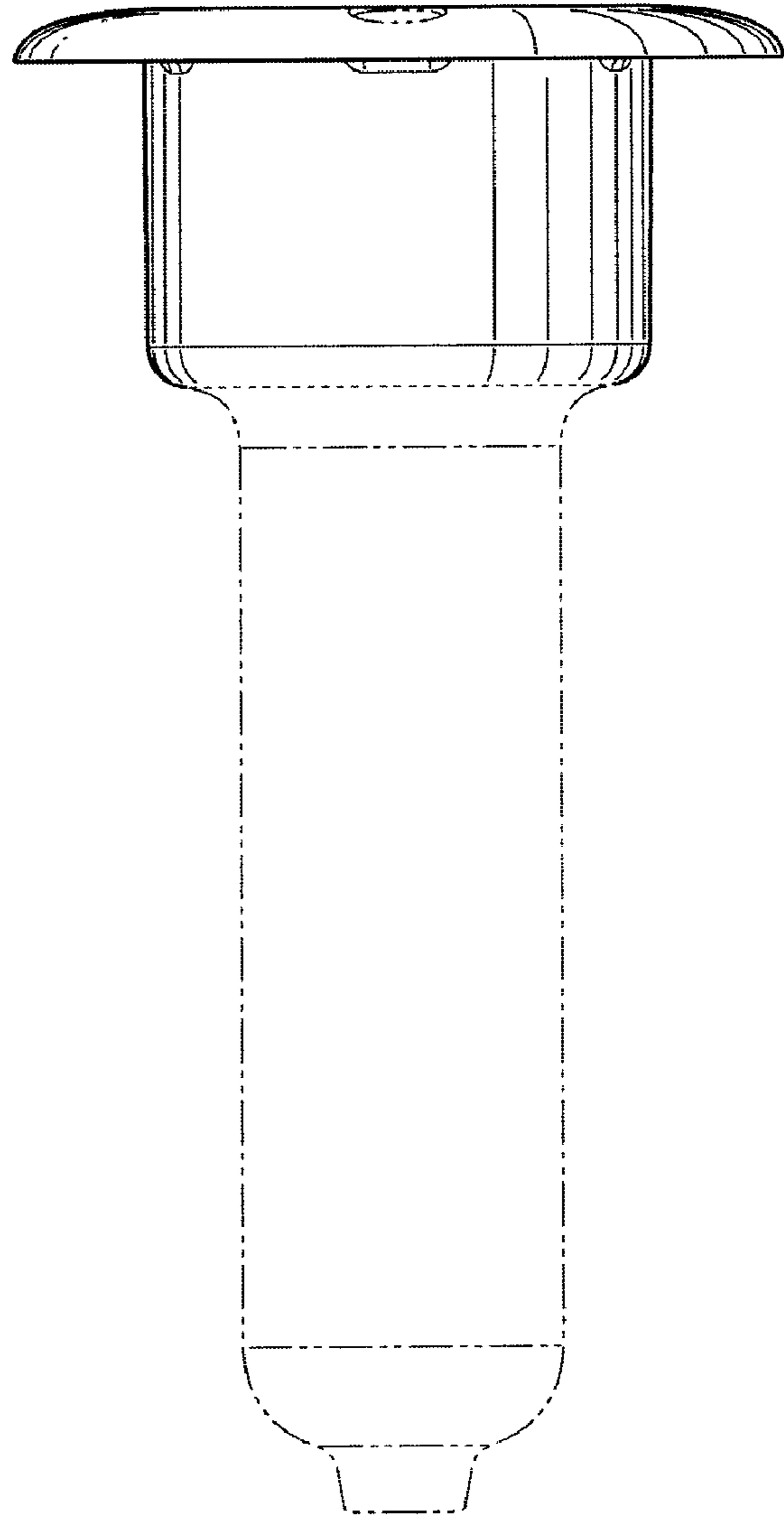


Fig. 4

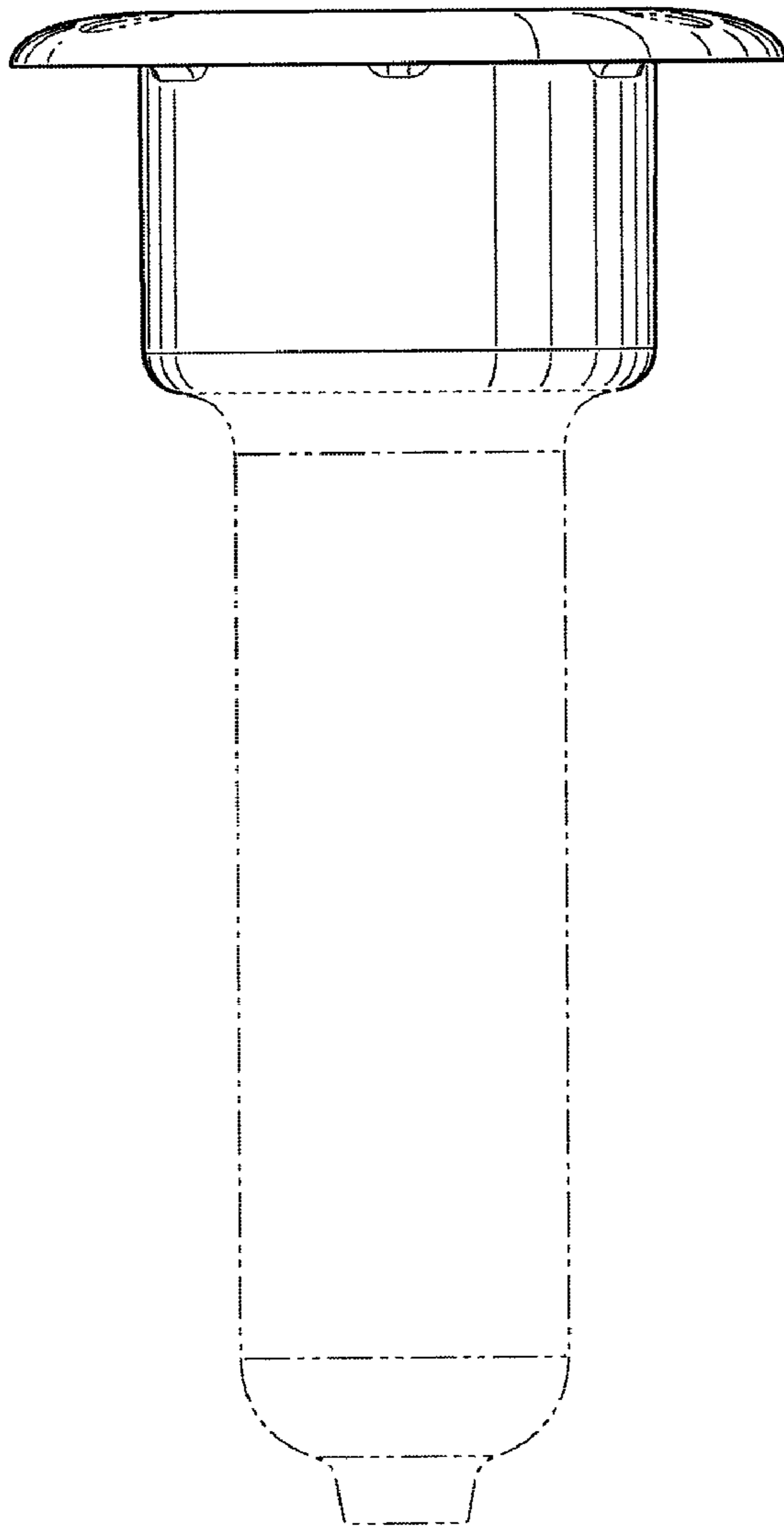


Fig. 5

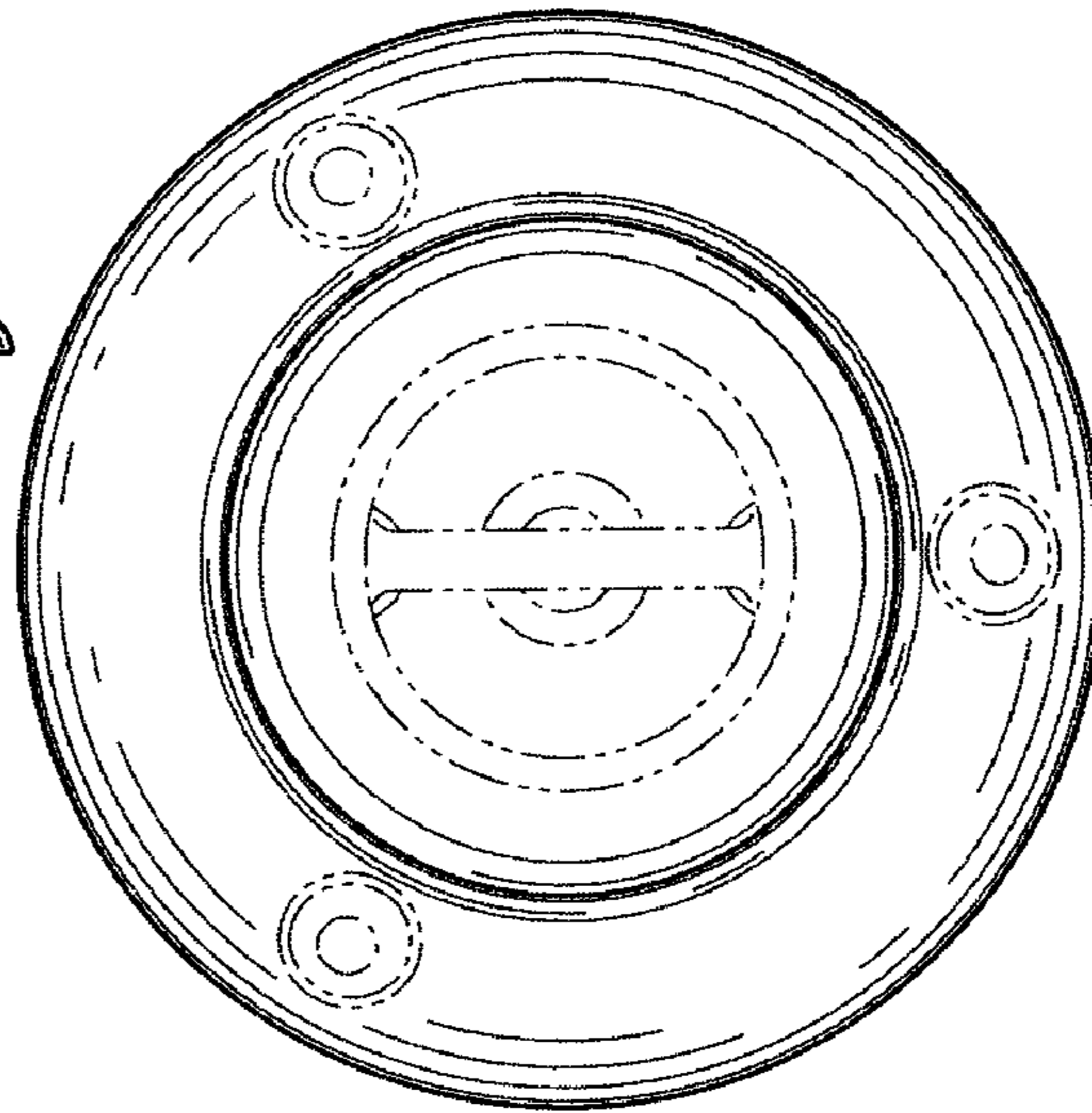


Fig. 6

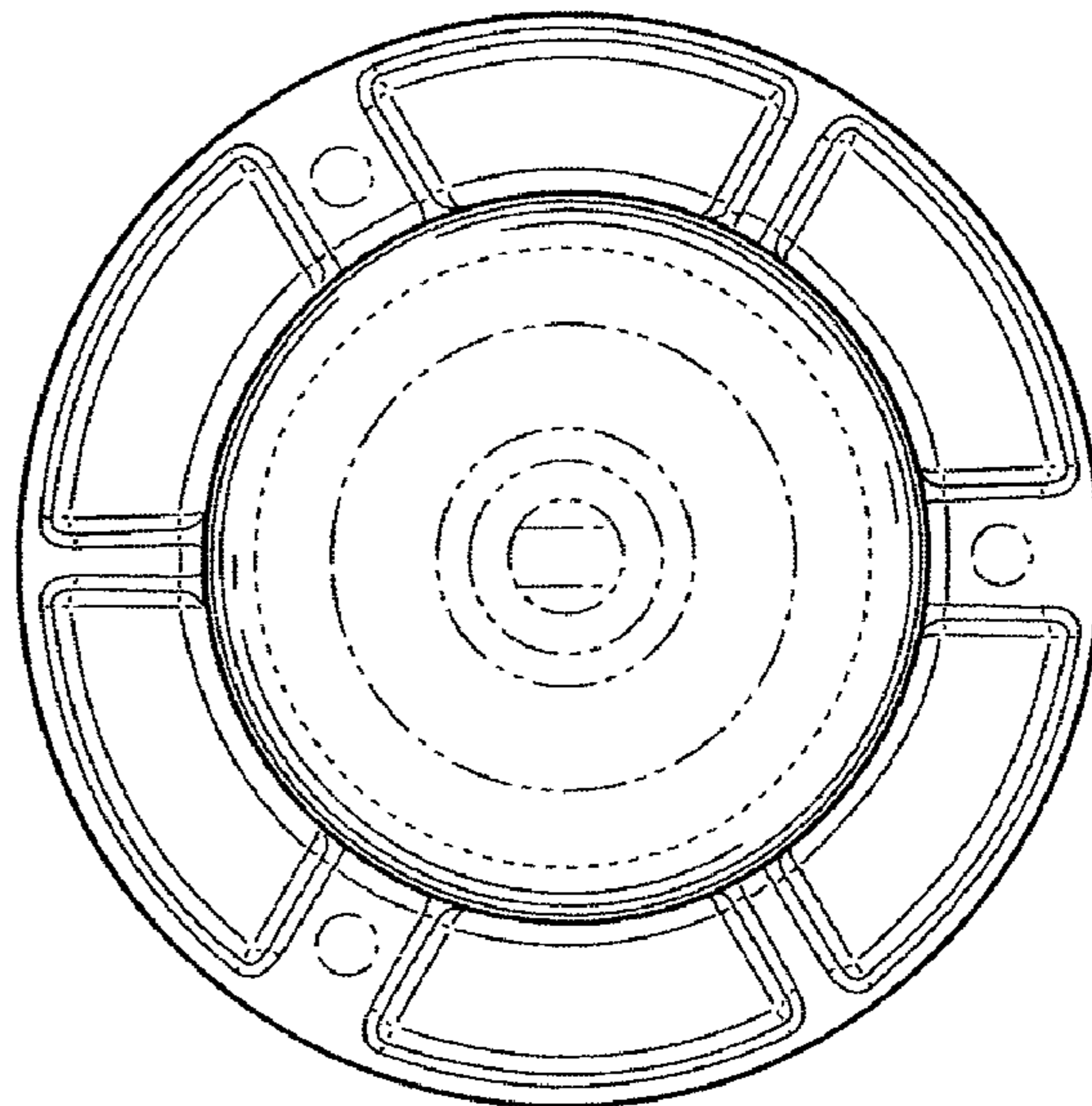


Fig. 7