



US00D607962S

(12) **United States Design Patent**
Baltes

(10) **Patent No.:** **US D607,962 S**
(45) **Date of Patent:** **** Jan. 12, 2010**

(54) **RECESSED FISHING ROD AND BEVERAGE HOLDER**

Primary Examiner—Catherine R Oliver
(74) *Attorney, Agent, or Firm*—McHale & Slavin, P.A.

(75) Inventor: **Michael Baltes**, Hobe Sound, FL (US)

(73) Assignee: **MTB Designs, Inc.**, Hobe Sound, FL (US)

(**) Term: **14 Years**

(21) Appl. No.: **29/333,984**

(22) Filed: **Mar. 18, 2009**

(51) **LOC (9) Cl.** **22-05**

(52) **U.S. Cl.** **D22/147**

(58) **Field of Classification Search** D22/147–148,
D22/138–139; 43/16–17, 18.1, 18.5, 19,
43/21.2; 248/156, 511, 530–532, 545; D11/182;
D6/552–553, 416

See application file for complete search history.

(56) **References Cited**

U.S. PATENT DOCUMENTS

D352,342 S	*	11/1994	Arck	D22/147
D377,387 S	*	1/1997	Mathewson	D22/147
D390,308 S	*	2/1998	Sieland et al.	D22/147
D399,367 S	*	10/1998	Sieland et al.	D6/416
D461,521 S	*	8/2002	Krueger	D22/147
D499,789 S	*	12/2004	Bridgewater	D22/147

* cited by examiner

(57) **CLAIM**

The ornamental design for a recessed fishing rod and beverage holder, as shown and described.

DESCRIPTION

FIG. 1 is a top perspective view of the recessed fishing rod and beverage holder of the instant invention illustrating the device cooperating with a fishing rod;

FIG. 2 is a top perspective view thereof illustrating the device cooperating with a beverage;

FIG. 3 is a right side view thereof, the left side view being a mirror image thereof;

FIG. 4 is a front view thereof;

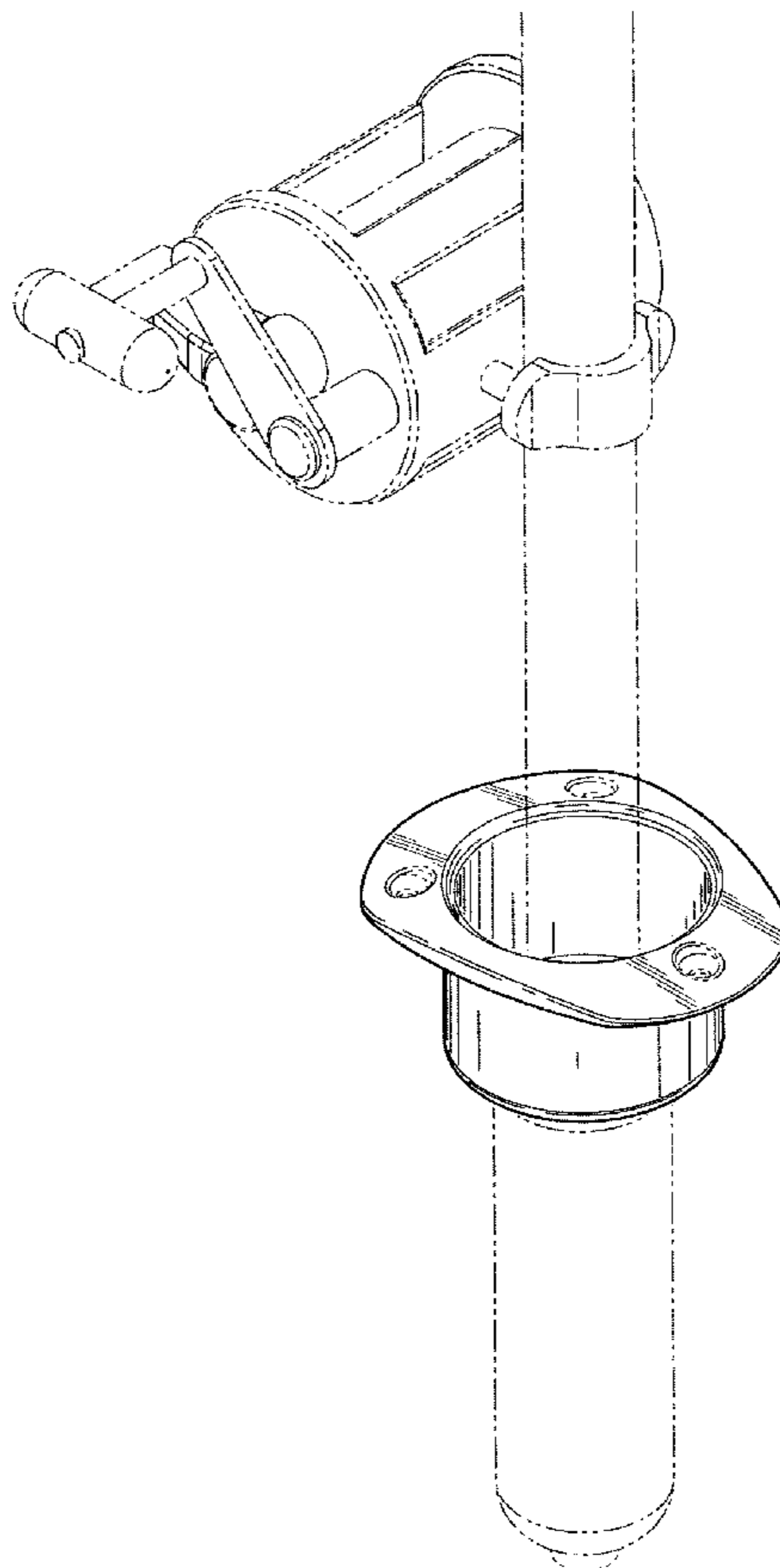
FIG. 5 is a rear view thereof;

FIG. 6 is a top view thereof; and,

FIG. 7 is a bottom view thereof.

The portions of the Figures shown in broken lines are for illustrative purposes only and form no part of the claimed design.

1 Claim, 4 Drawing Sheets



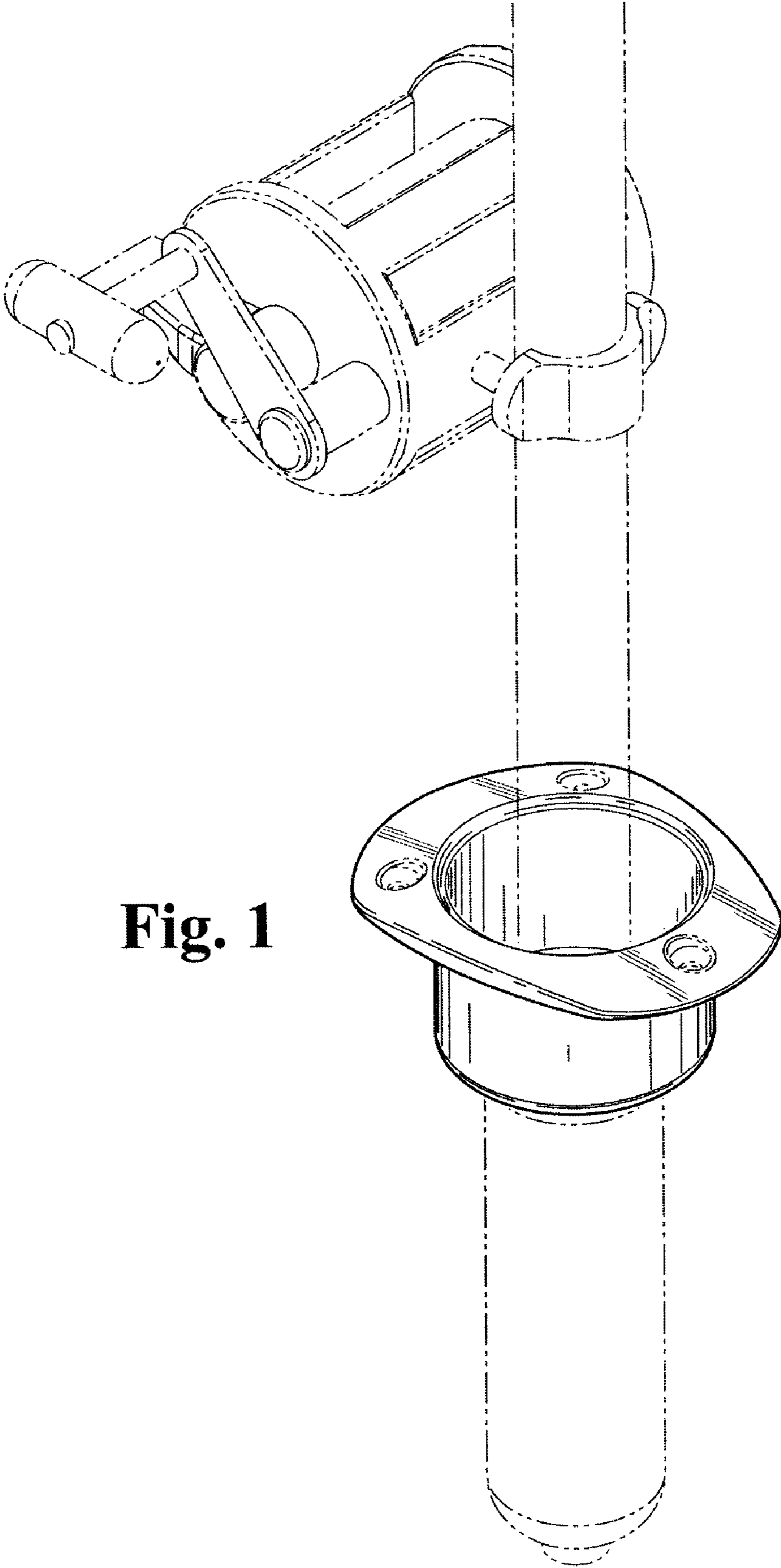


Fig. 1

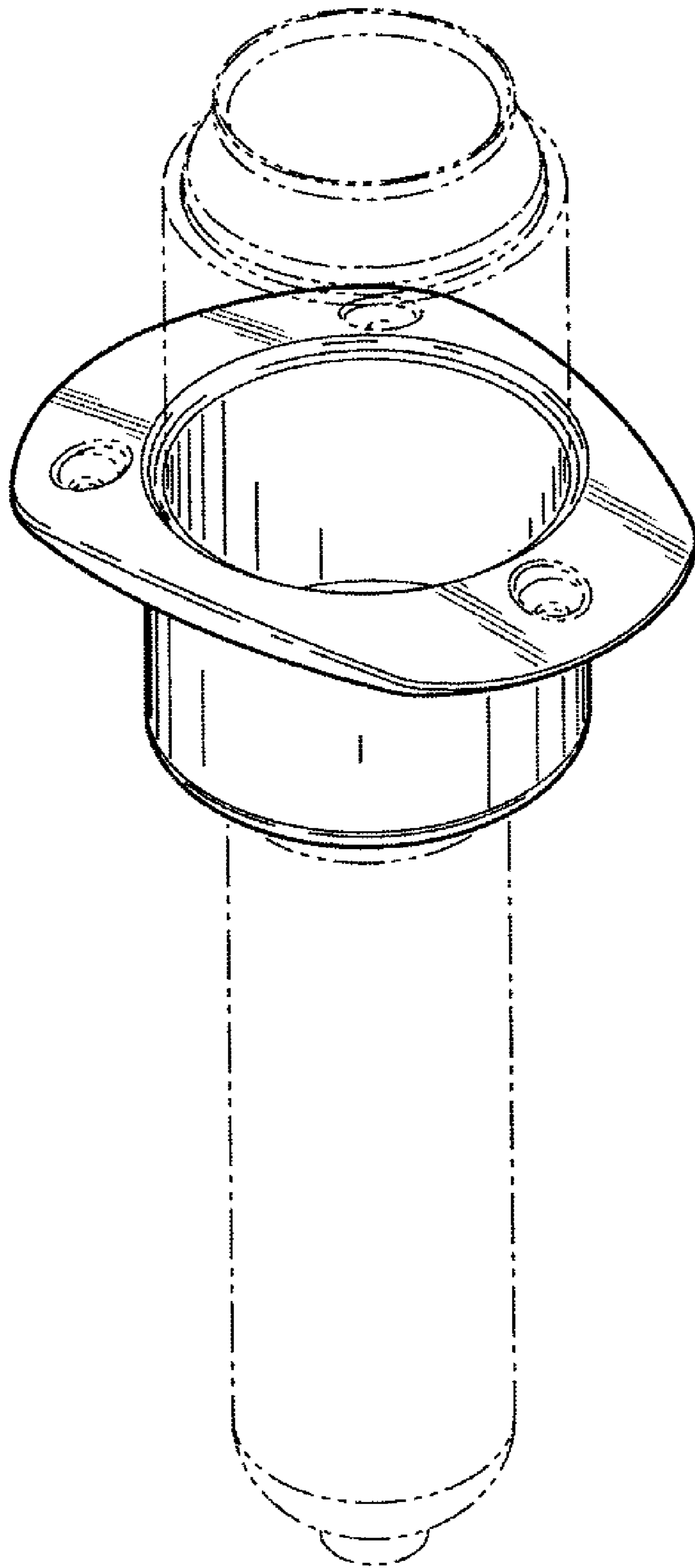


Fig. 2

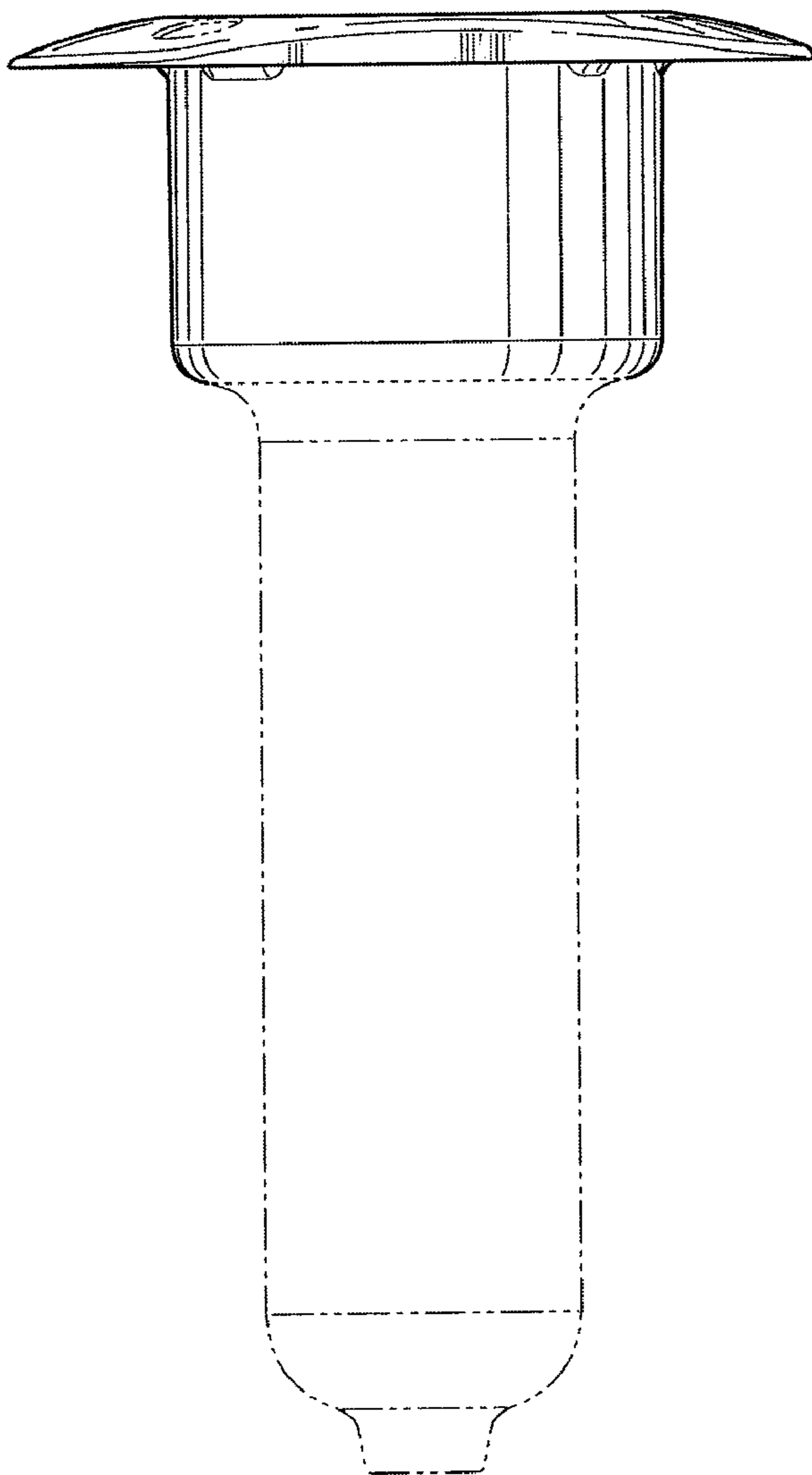


Fig. 3

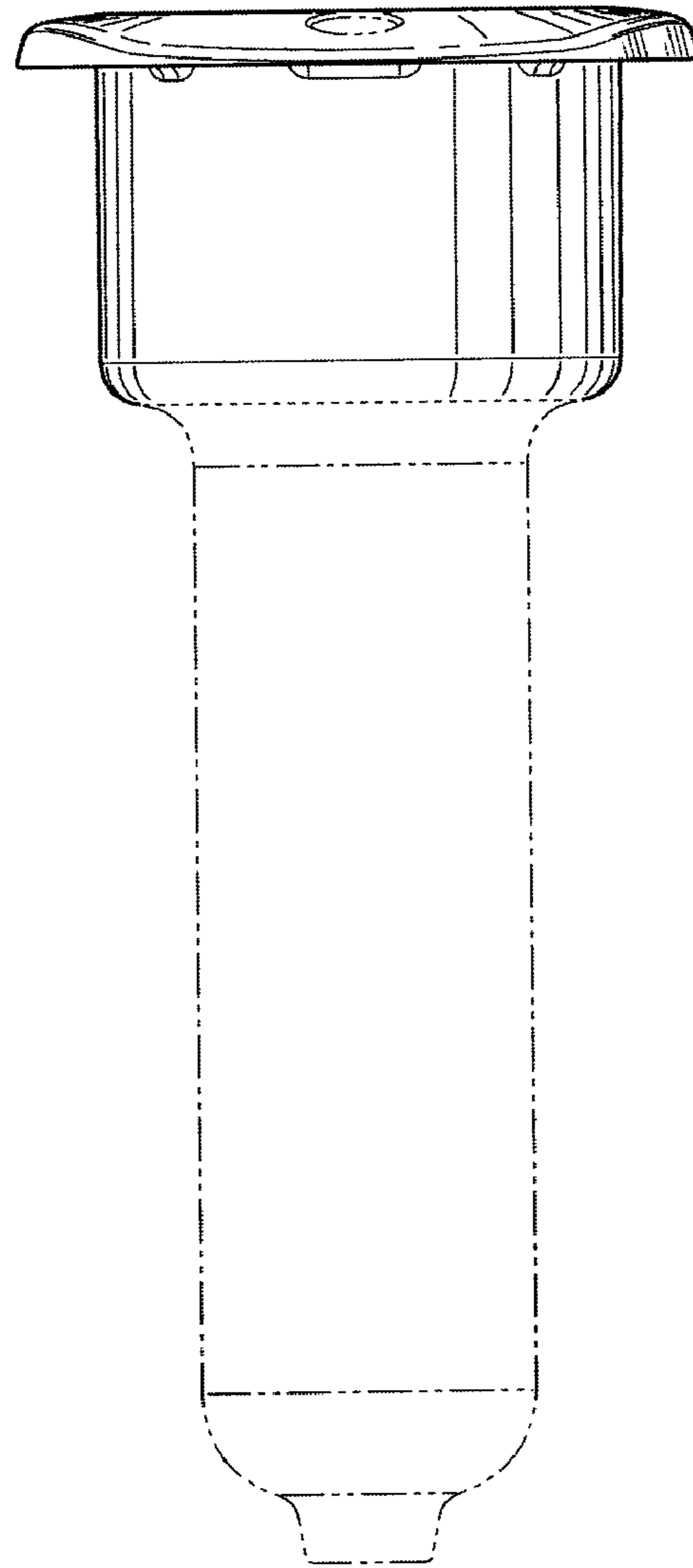


Fig. 4

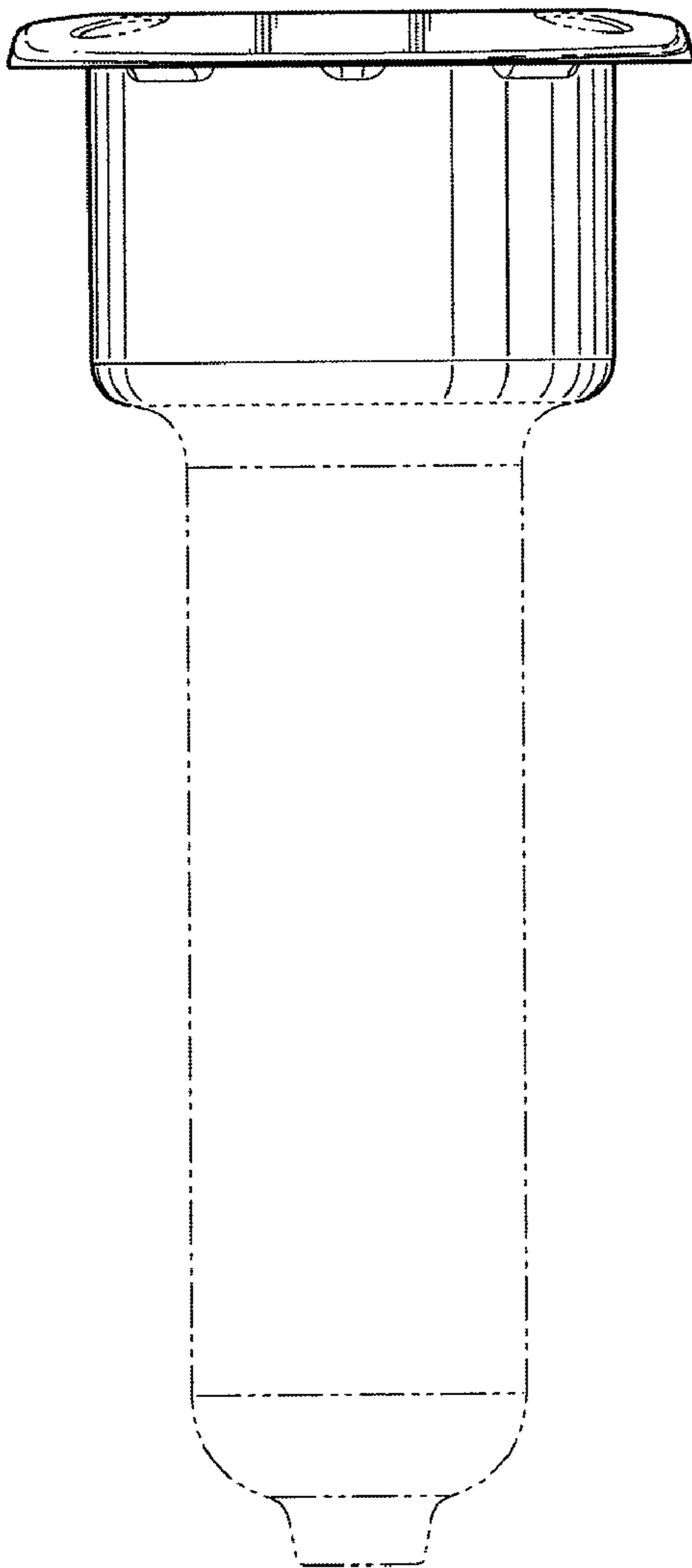


Fig. 5

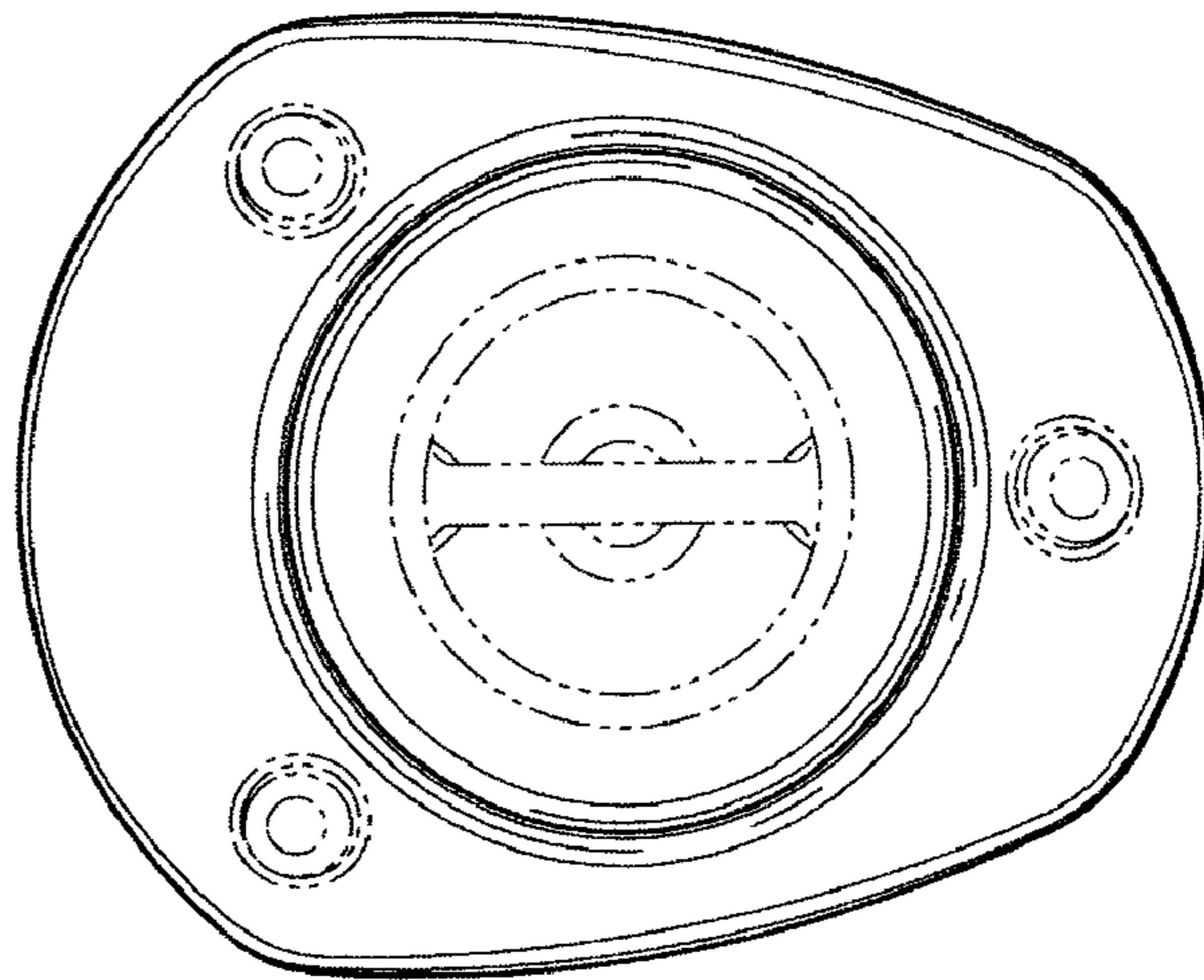


Fig. 6

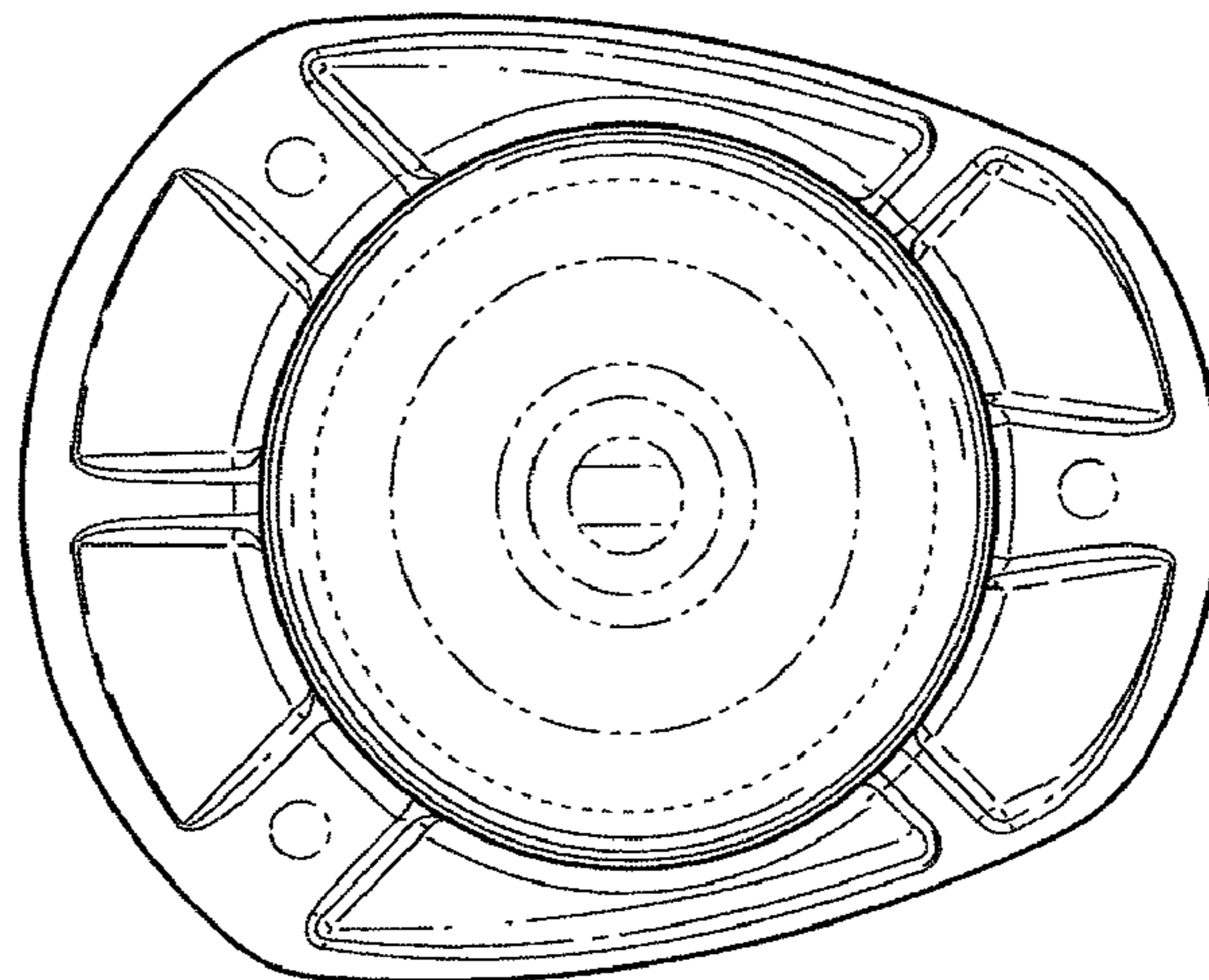


Fig. 7