



US00D607959S

(12) **United States Design Patent**
Moody et al.

(10) **Patent No.:** **US D607,959 S**
(45) **Date of Patent:** **** Jan. 12, 2010**

(54) **DUAL ACCESSORY RAIL MOUNT FOR A FORE GRIP**

(75) Inventors: **Joseph R. Moody**, Jacksonville, FL (US); **Joseph D. Gaddini**, Cape Coral, FL (US)

(73) Assignee: **Grip Pod Systems, L.L.C.**, Jacksonville, FL (US)

(**) Term: **14 Years**

(21) Appl. No.: **29/314,913**

(22) Filed: **May 8, 2009**

Related U.S. Application Data

(60) Division of application No. 29/305,863, filed on Mar. 28, 2008, now Pat. No. Des. 594,085, which is a continuation-in-part of application No. 29/302,183, filed on Jan. 11, 2008, now Pat. No. Des. 591,822, which is a continuation-in-part of application No. 29/299,849, filed on Jan. 4, 2008, which is a continuation-in-part of application No. 29/296,039, filed on Oct. 12, 2007, now Pat. No. Des. 594,925, which is a continuation-in-part of application No. 11/871,632, filed on Oct. 12, 2007, now Pat. No. 7,559,167, which is a continuation-in-part of application No. 11/652,337, filed on Jan. 11, 2007, now Pat. No. 7,568,304, which is a continuation-in-part of application No. 11/485,762, filed on Jul. 13, 2006, now Pat. No. 7,490,429, which is a continuation-in-part of application No. 10/725,082, filed on Dec. 2, 2003, now Pat. No. 7,111,424.

- (51) **LOC (9) Cl.** **22-01**
- (52) **U.S. Cl.** **D22/109**
- (58) **Field of Classification Search** D22/100, D22/108, 109, 110, 199; 42/11, 113, 116, 42/119, 124, 125, 127, 90, 145, 128, 72, 42/106, 114, 85, 75.02, 71.01; 124/205.1, 124/201

See application file for complete search history.

(56) **References Cited**

U.S. PATENT DOCUMENTS

271,251 A 1/1883 Leerbech et al.

(Continued)

FOREIGN PATENT DOCUMENTS

FR	2623595	5/1969
FR	2623595	5/1989

OTHER PUBLICATIONS

Denis, H.R., Archer, M.A., *Jane's Infantry Weapons*, 1976, pp. 1-3. Brugger and Thomet Unipod, *Forward Grip with Retractable Bipod*, online, DSA, Inc., *Systems Second to None*, DSA Order Center, 1 page, [retrieved on Oct. 18, 2006] retrieved from: <http://dsarms.com/item-detail.cfm?ID=BT21830A&storeid=1&image=bt21830A.gif>.

(Continued)

Primary Examiner—T. Chase Nelson

Assistant Examiner—Michael A Pratt

(74) *Attorney, Agent, or Firm*—Brian S. Steinberger; Law Offices of Brian S. Steinberger, P.A.

(57) **CLAIM**

The ornamental design for dual accessory rail mount for a fore grip, as shown and described.

DESCRIPTION

FIG. 1 is an upper front left perspective of a dual accessory rail mount for a fore grip.

FIG. 2 is an upper front right perspective view of the design of FIG. 1.

FIG. 3 is an upper rear right perspective view of the design of FIG. 1.

FIG. 4 is an upper rear left perspective view of the design of FIG. 1.

FIG. 5 is a lower front left perspective view of the design of FIG. 1.

FIG. 6 is a lower front right perspective view of the design of FIG. 1.

FIG. 7 is a front view of the design of FIG. 1.

FIG. 8 is a rear view of the design of FIG. 1.

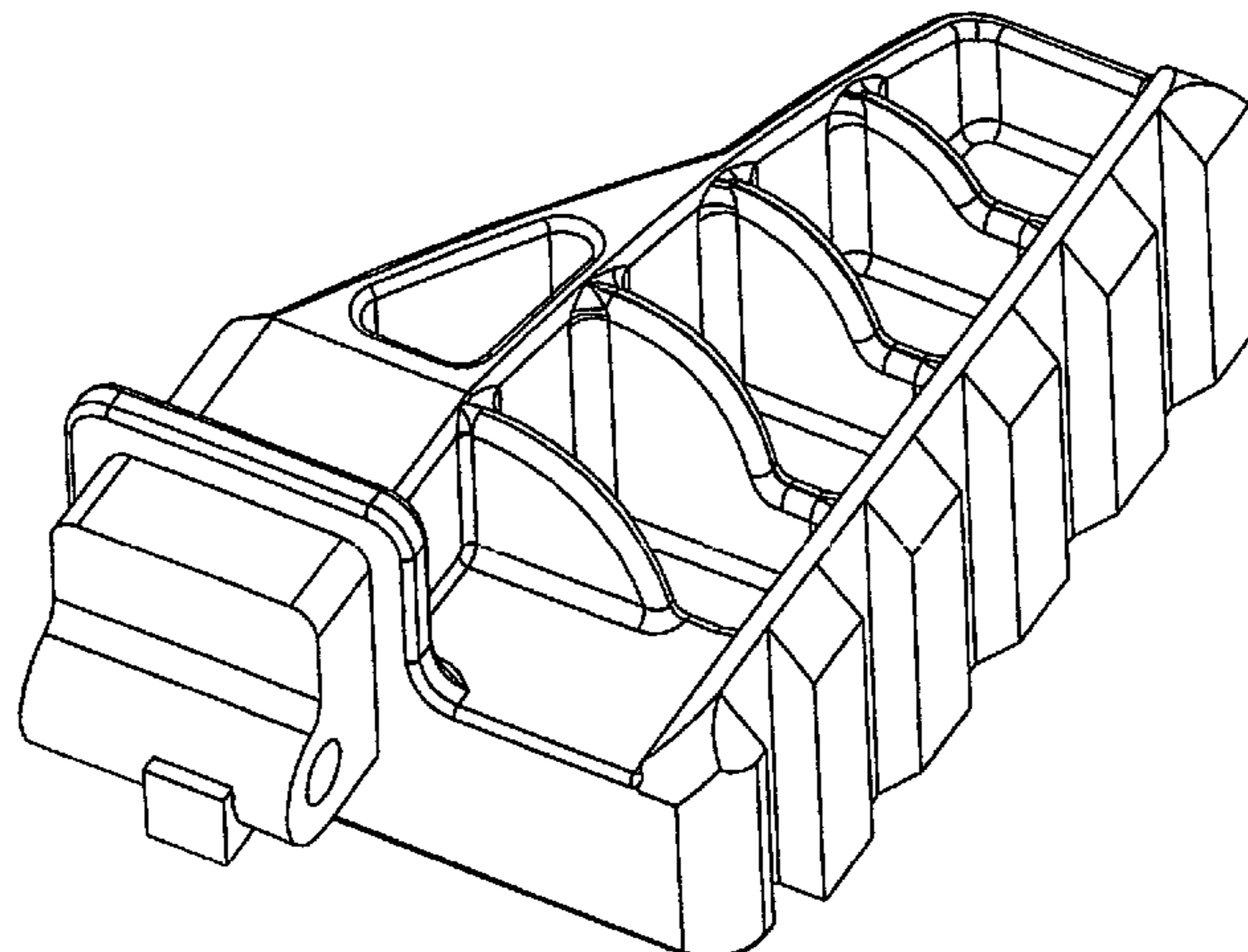
FIG. 9 is a top view of the design of FIG. 1.

FIG. 10 is a bottom view of the design of FIG. 1.

FIG. 11 is a left side view of the design of FIG. 1; and,

FIG. 12 is a right side view of the design of FIG. 1.

1 Claim, 9 Drawing Sheets



US D607,959 S

Page 2

U.S. PATENT DOCUMENTS

575,529 A 1/1897 Stephens
721,425 A 2/1903 Clyde
1,295,688 A 2/1919 Butler
1,355,660 A 10/1920 Farquhar et al.
1,382,409 A 6/1921 Butler
1,580,406 A 4/1926 Browning
2,388,802 A 10/1945 Johnson
2,420,267 A 5/1947 Sefried
2,436,349 A 2/1948 Adams
2,489,283 A 11/1949 Garand
2,763,456 A 9/1956 Breer
3,235,997 A 2/1966 Stoner
3,632,073 A 1/1972 Nakatani
4,121,799 A 10/1978 Michio
D265,920 S 8/1982 Becktel
4,545,660 A 10/1985 Rudolf
5,345,706 A 9/1994 Brown
5,384,609 A 1/1995 Ogawa et al.
5,438,786 A 8/1995 Hilderbrand
6,289,622 B1 9/2001 Desch, Jr. et al.
6,487,807 B1 12/2002 Kopman et al.
D556,290 S 11/2007 Swan
D591,822 S * 5/2009 Moody et al. D22/109
2004/0103577 A1 6/2004 Compton
2005/0229465 A1 10/2005 Dextraze
2005/0241206 A1 11/2005 Teetzel et al.
2007/0199225 A1 8/2007 Haugen

2007/0271834 A1 11/2007 Keng
2008/0072471 A1 3/2008 Keng

OTHER PUBLICATIONS

Command Arms Accessories, Flashlight Grip Adaptor, online, Products, Grips, Pistol Grips, Forward Grips, 3 pages, [retrieved on Jan. 4, 2008] retrieved from: <http://www.commandarms.com/product.asp?pID=225&cID=12>.

KZ Tactical Foregrip Rail, The Ultimate Vertical Grip, online, BotachTactical.com, KZ Tactical Foregrip Rail, 5 pages, [retrieved on Jan. 4, 2008] retrieved from: <http://www.botachtactical.com/kzozepigr.html>.

Denis H.R. Archer, M.A., Jane's Infantry Weapons, (1976) pp. 1-3. Brugger & Thomet Unipod, Forward grip with retractable bipod, [online] DSA Inc. Systems Second to None, DSA Order Center, 1 page, [Retrieved on Oct. 18, 2006] Retrieved from: <http://www.dsarms.com/item-detail.cfm?ID=BT21830A&storeid=1&image=bt21830A.gif>.

Command Arms Accessories, Flashlight Grip Adaptor, [online] Products, Grips, Pistol Grips, Forward Grips, 3 pages, [Retrieved on Jan. 4, 2008] Retrieved from: <http://www.commandarms.com/product.asp?pID=225&cID=12>.

KZ Tactical Foregrip Rail, The Ultimate Vertical Grip, [online] BotachTactical.com, KZ Tactical Foregrip Rail, 5 pages [Retrieved on Jan. 4, 2008] Retrieved from: <http://www.botachtactical.com/kzozepigr.html>.

* cited by examiner

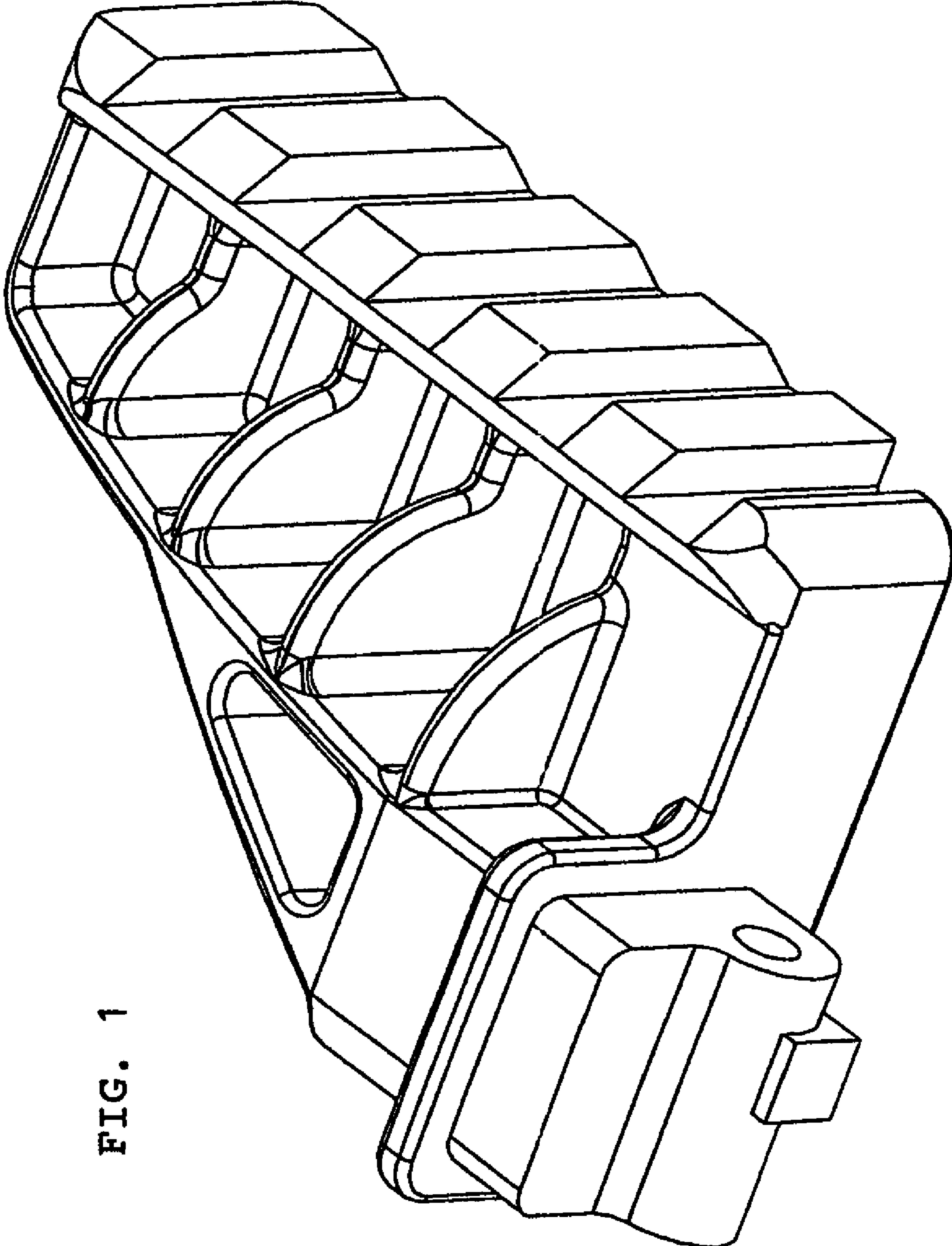


FIG. 1

FIG. 2

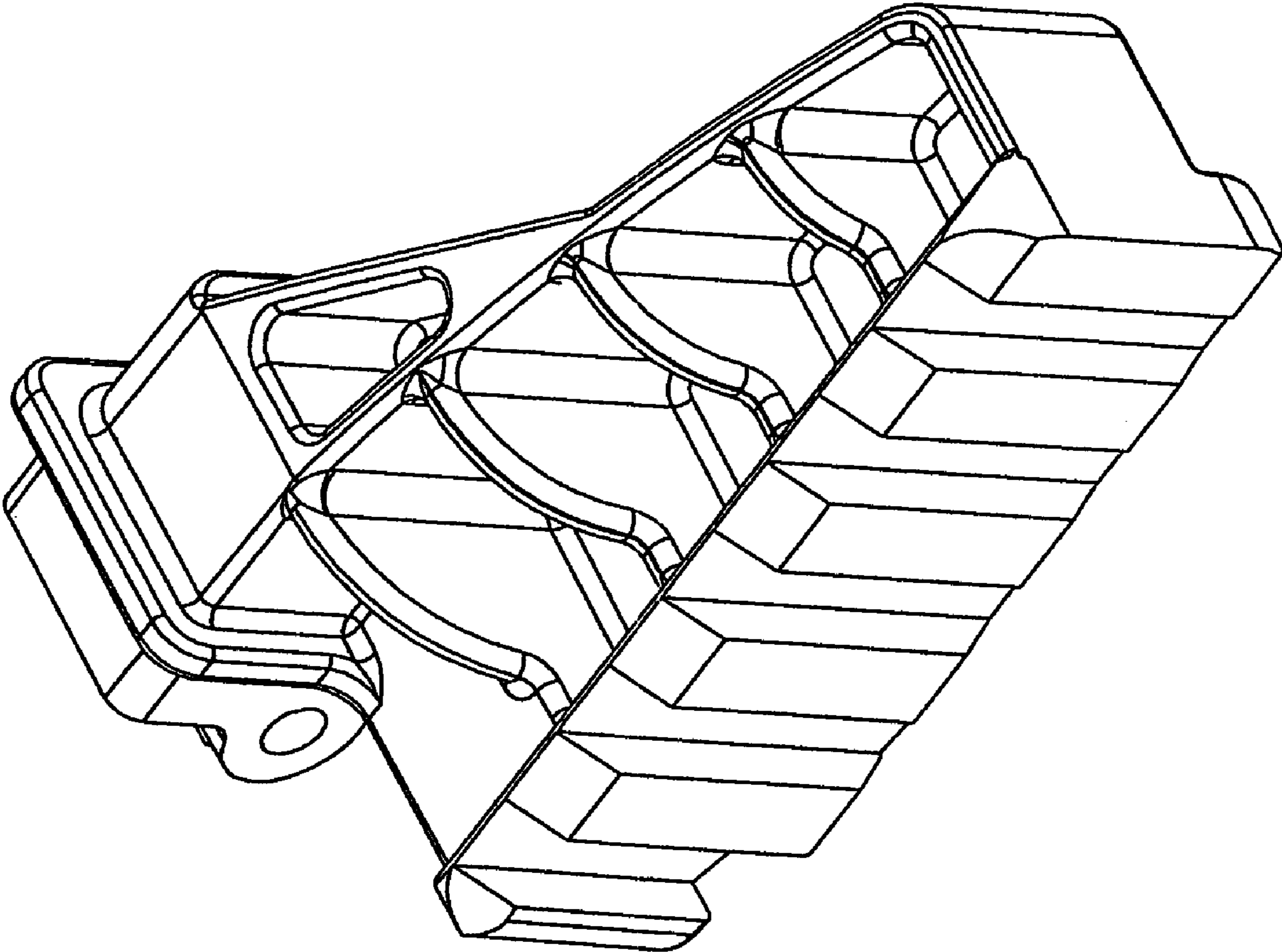
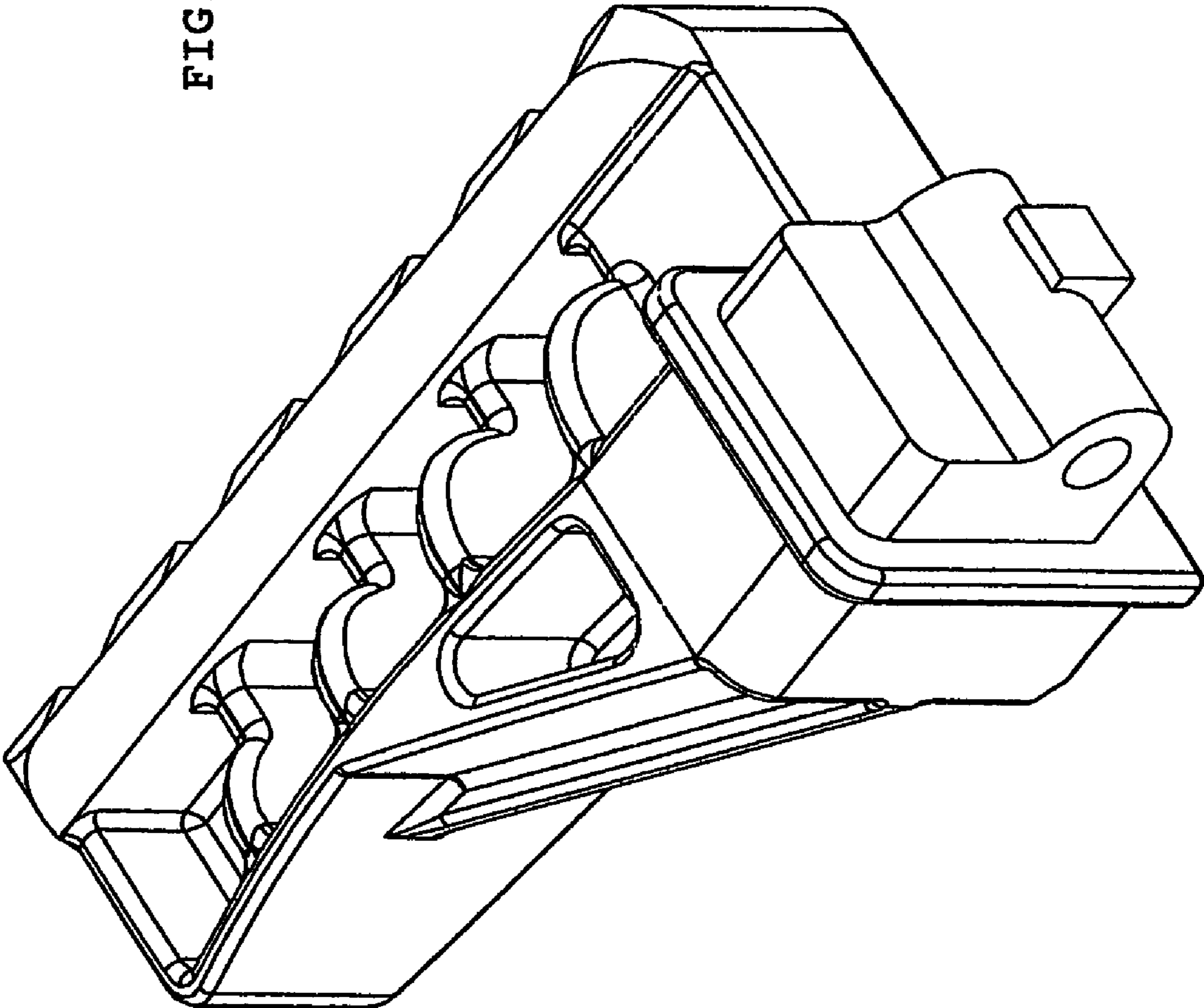


FIG. 3



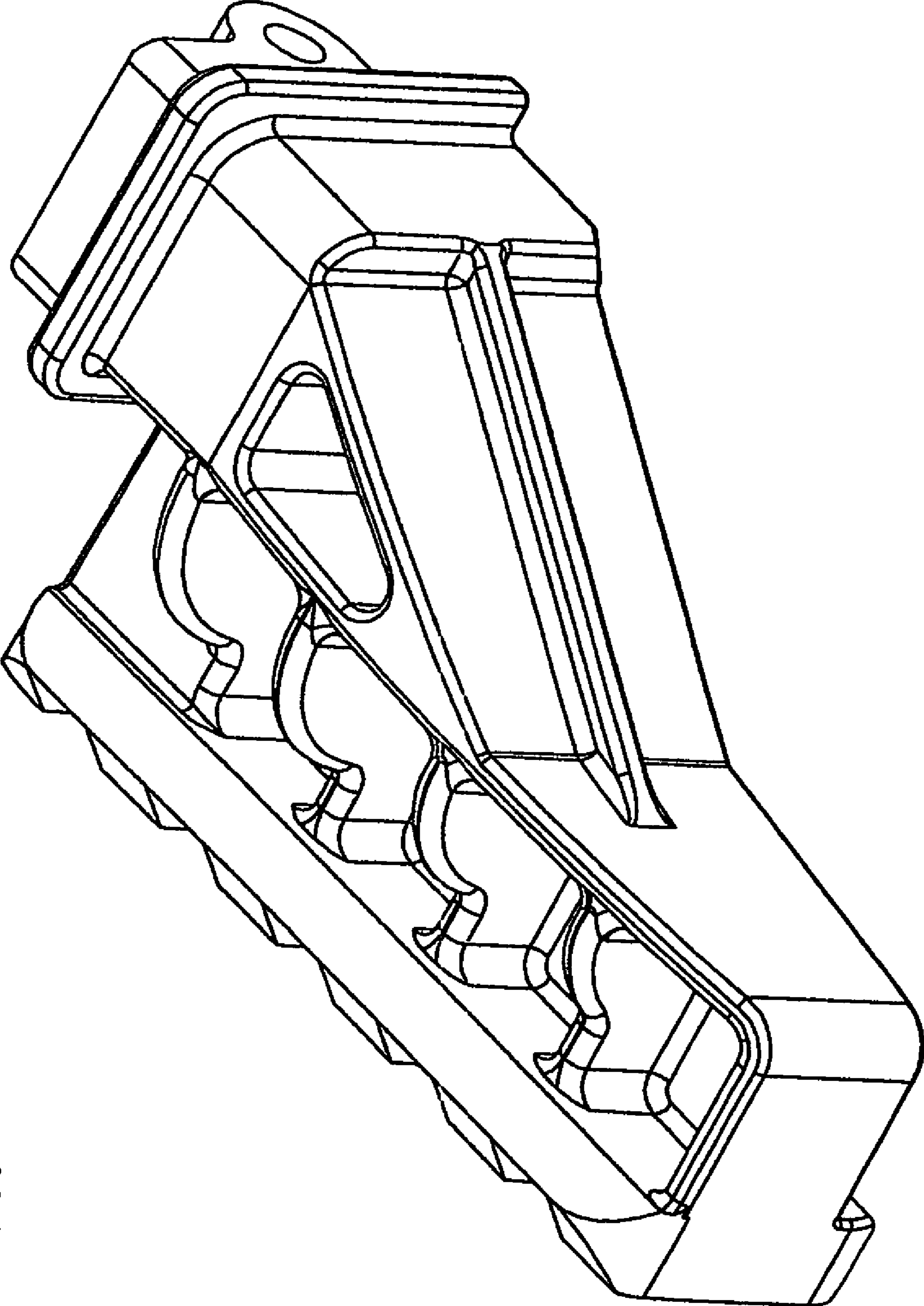
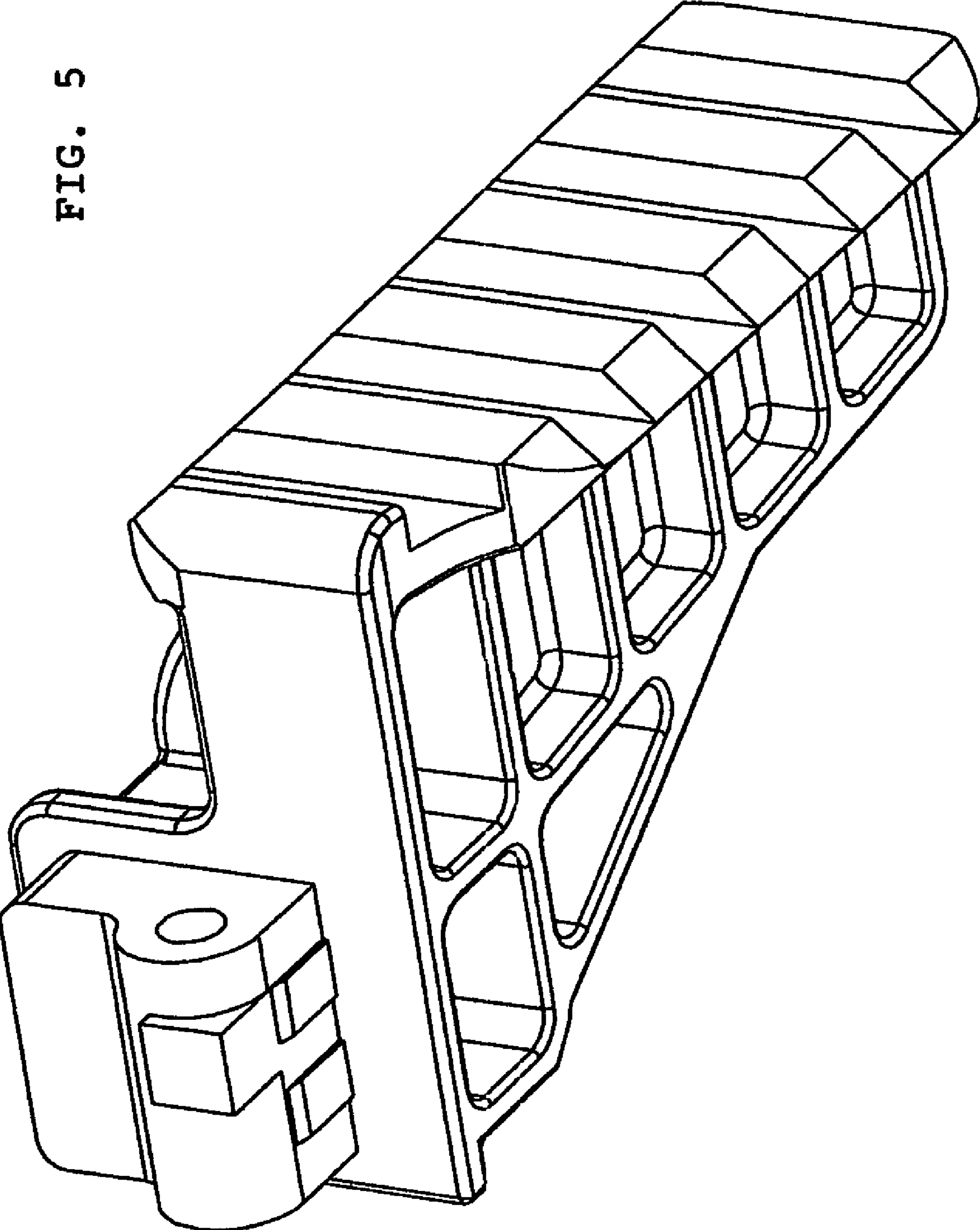


FIG. 4

FIG. 5



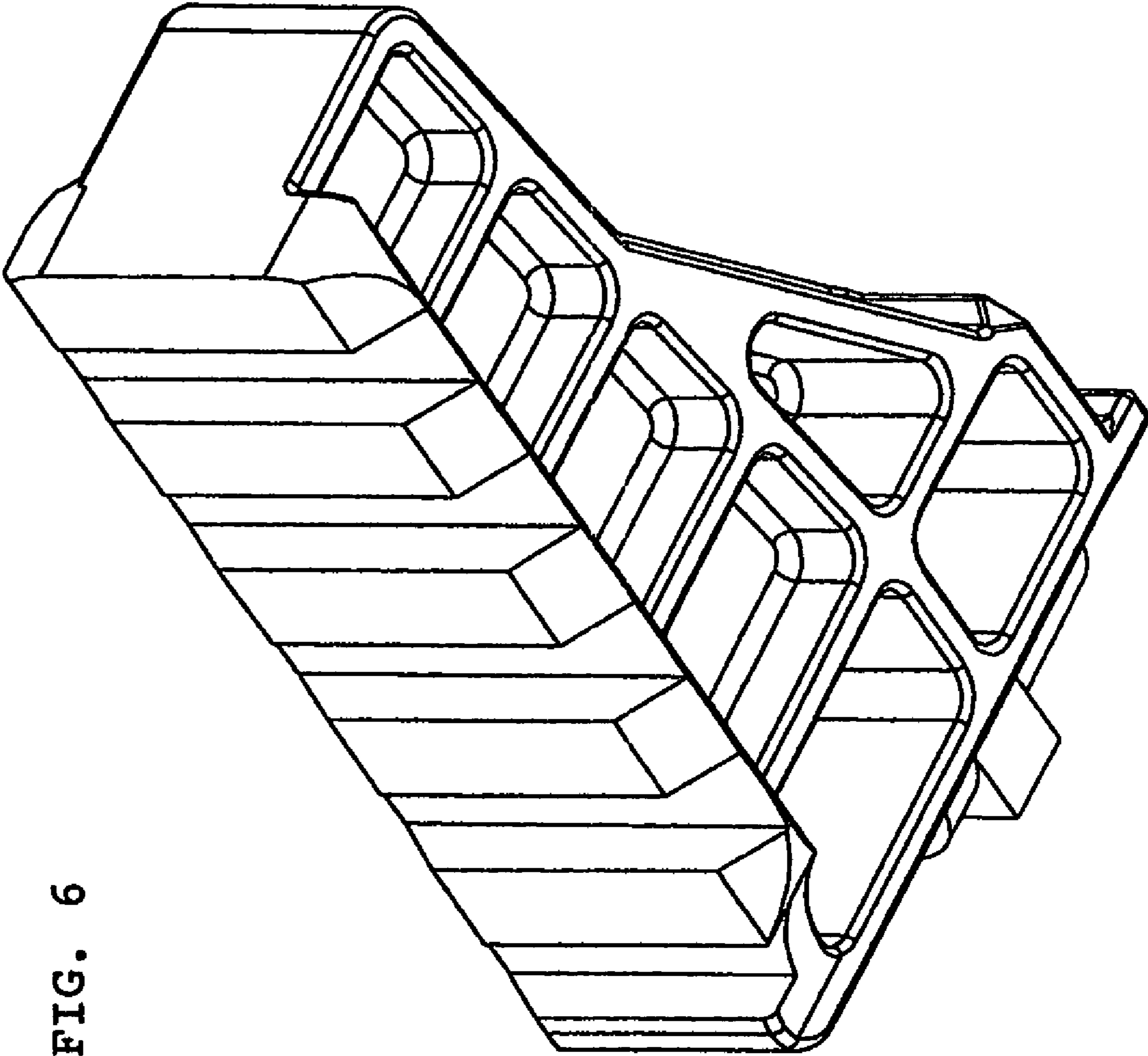


FIG. 6

FIG. 8

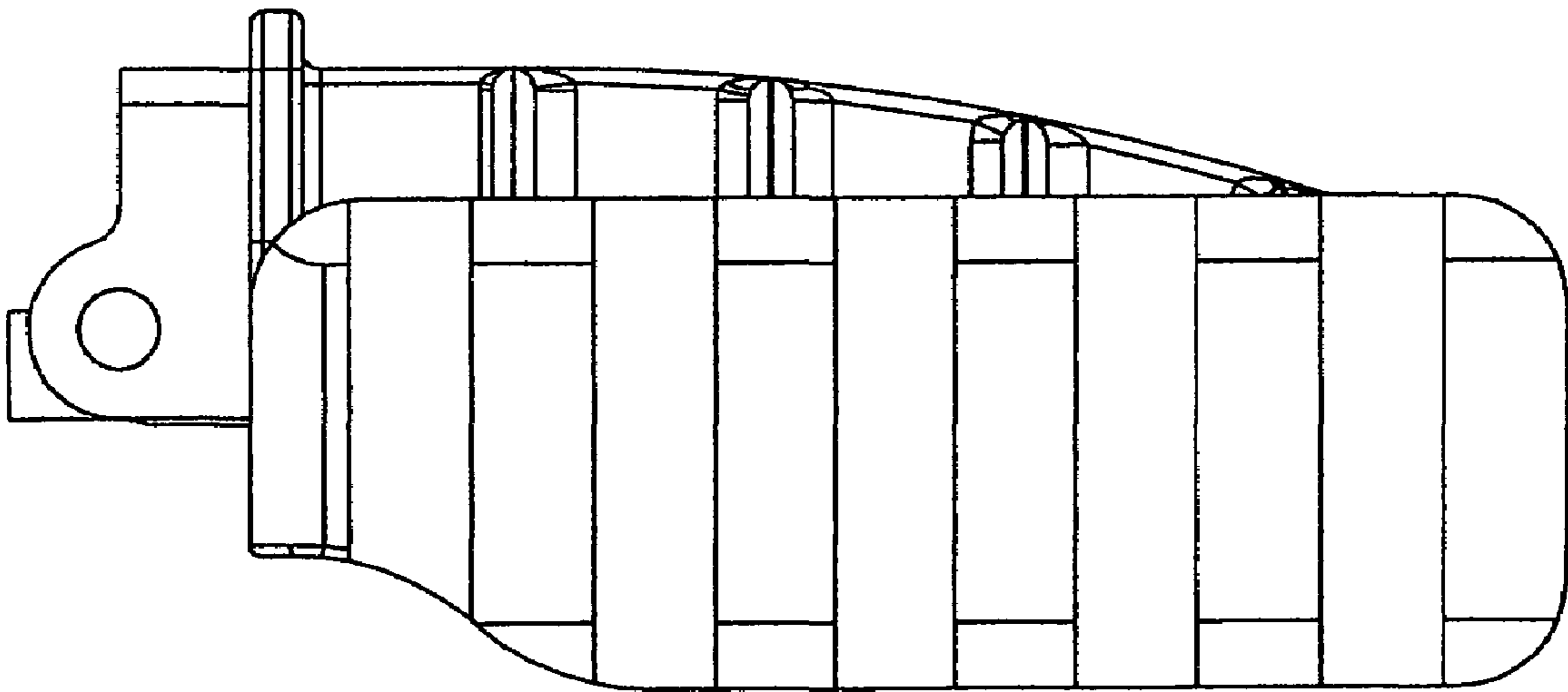
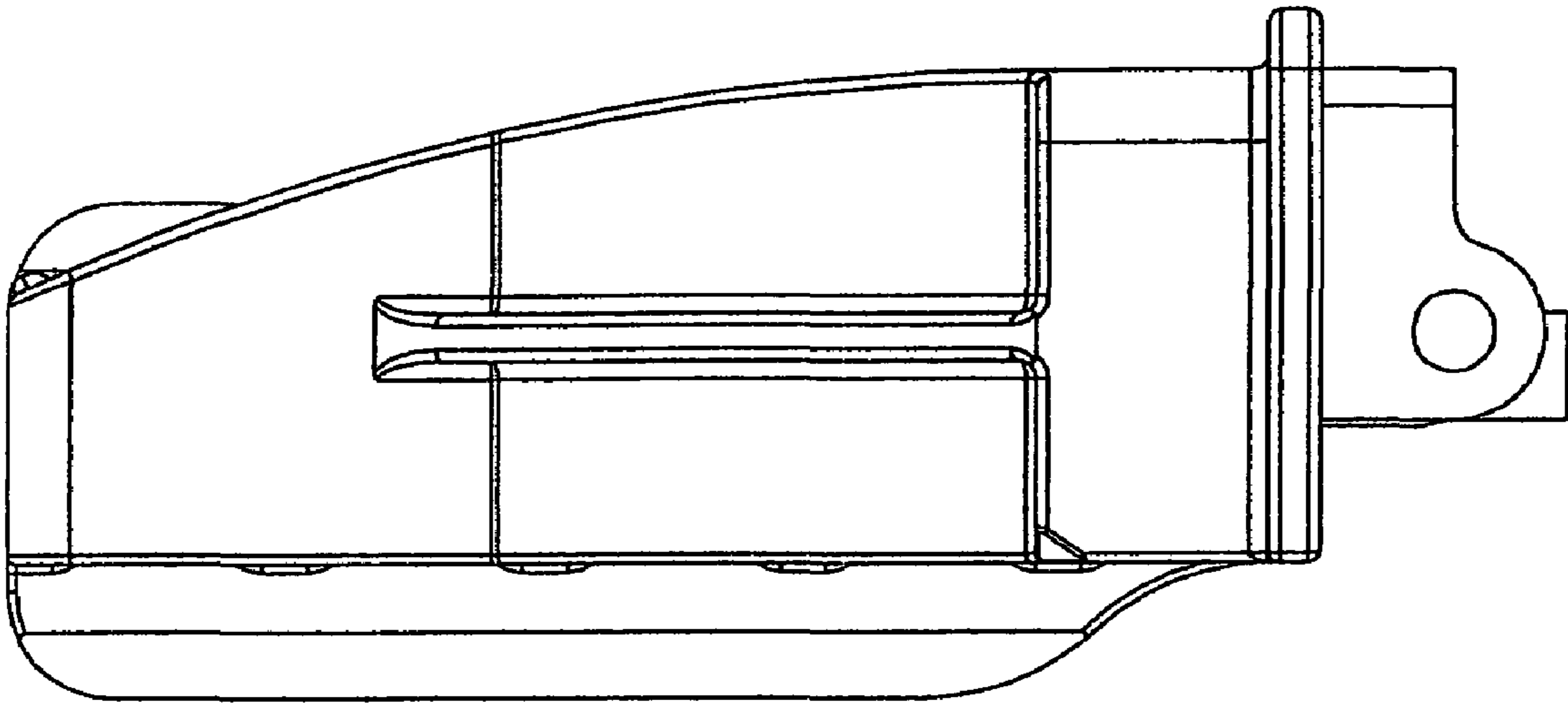


FIG. 7

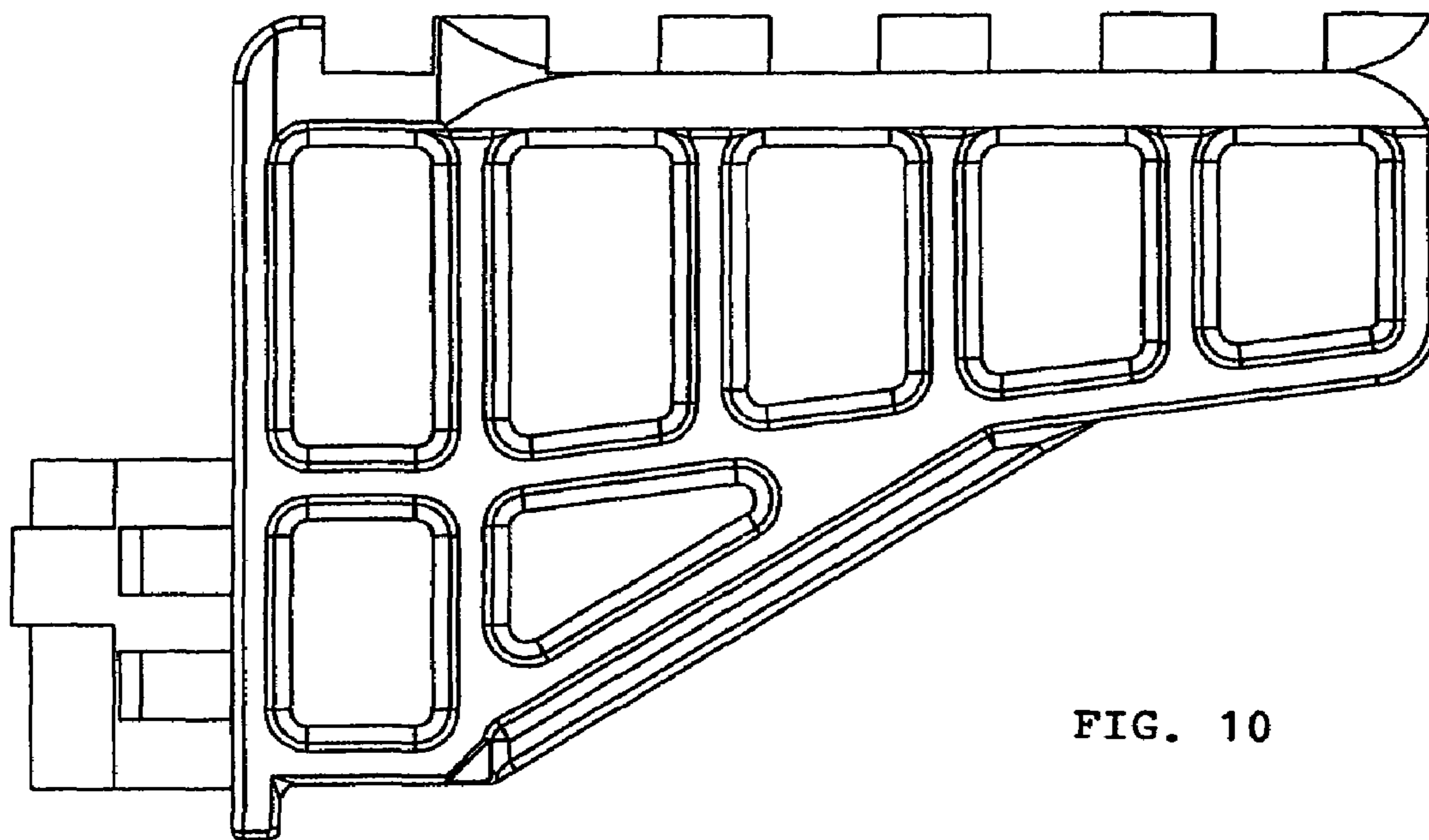


FIG. 10

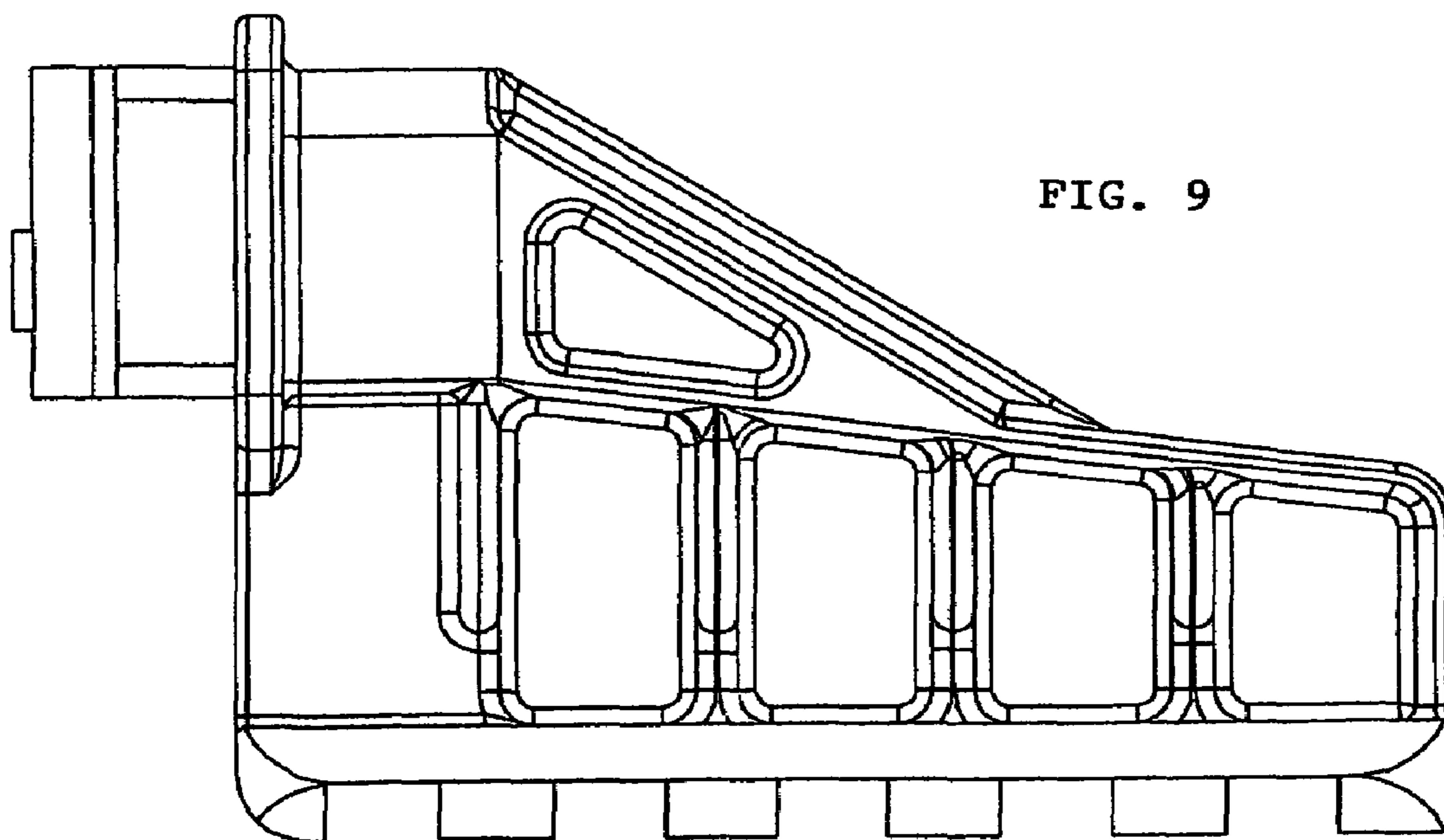


FIG. 9

FIG. 12

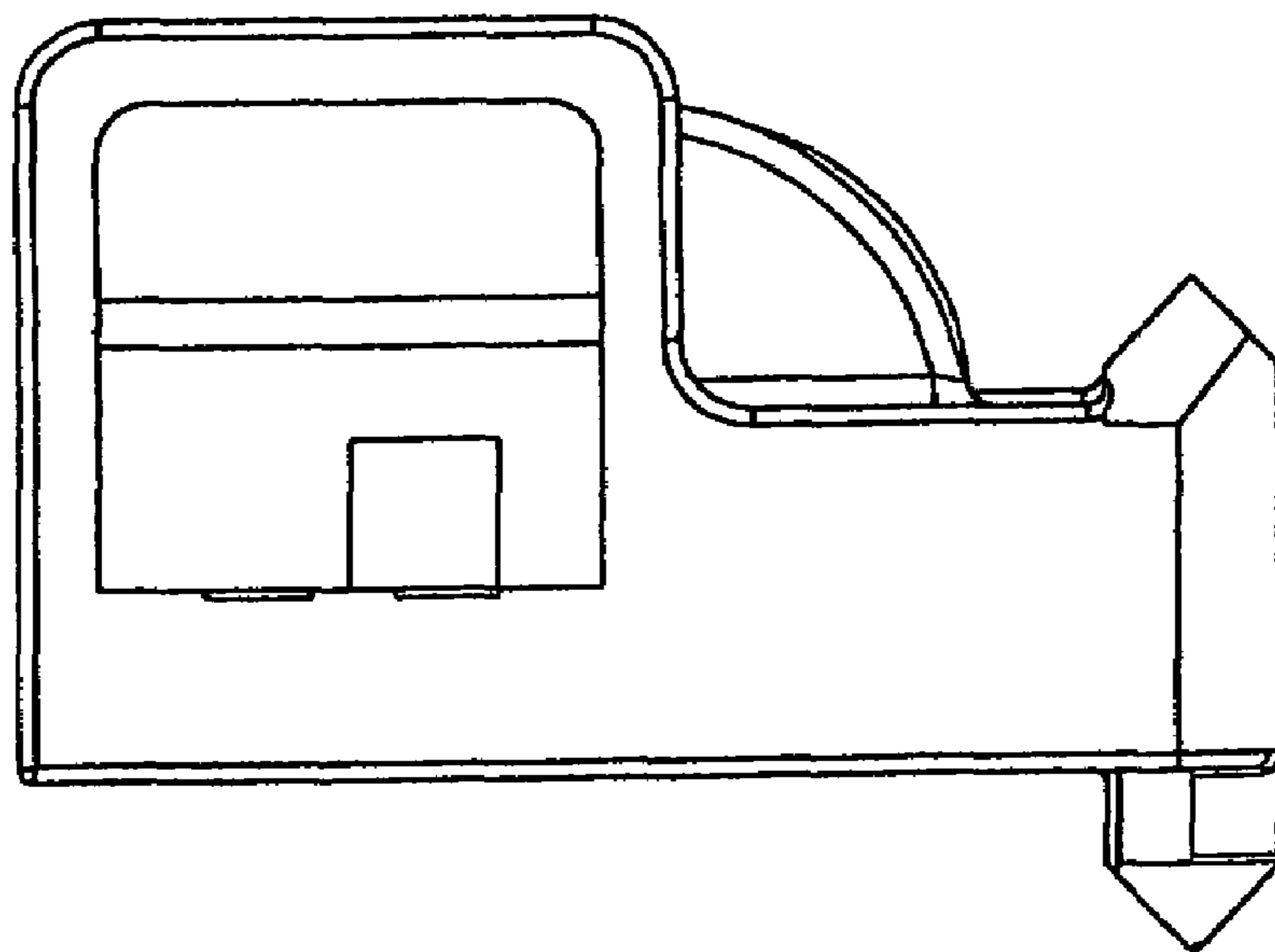
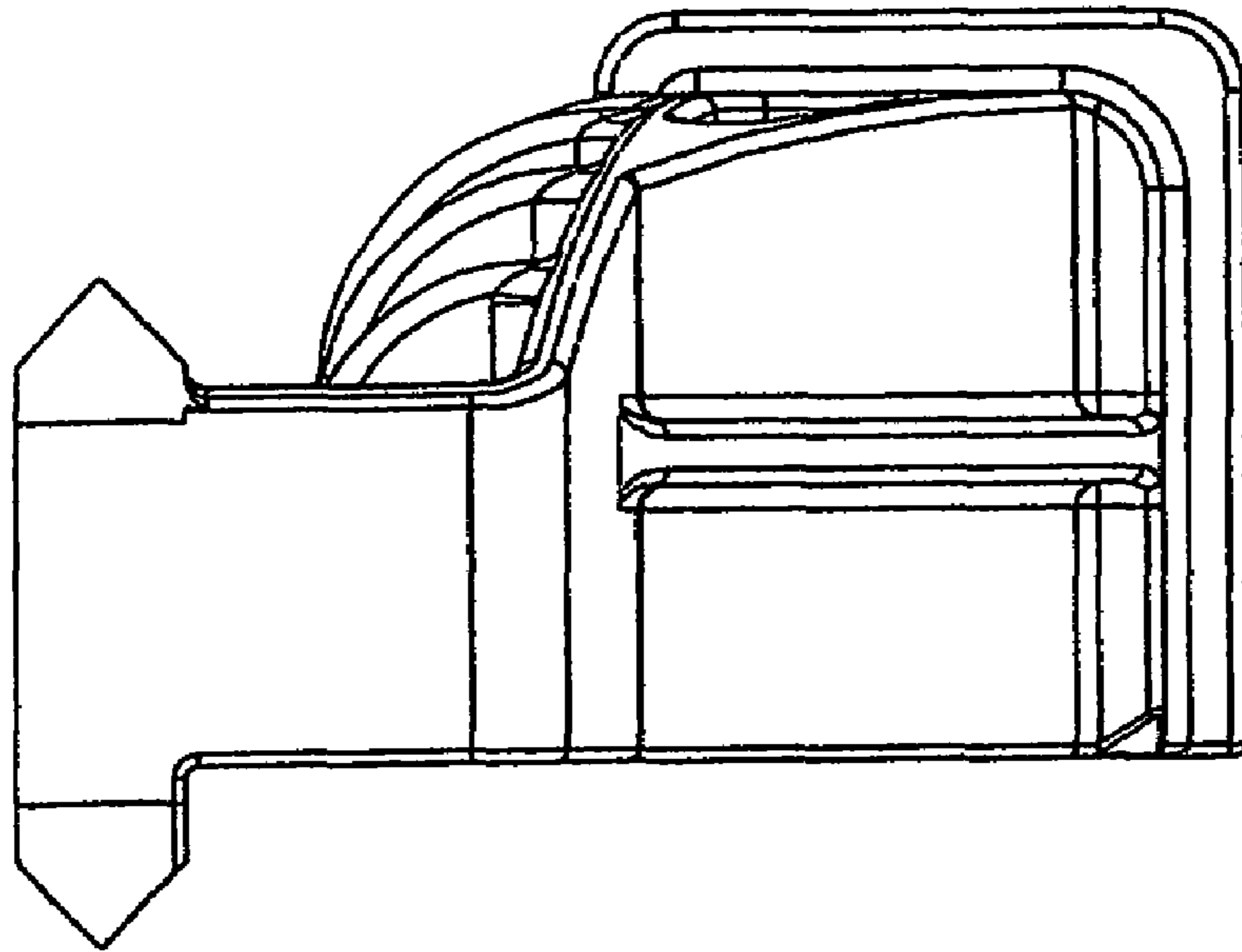


FIG. 11

UNITED STATES PATENT AND TRADEMARK OFFICE
CERTIFICATE OF CORRECTION

PATENT NO. : Des. 607,959 S
APPLICATION NO. : 29/314913
DATED : January 12, 2010
INVENTOR(S) : Joseph R. Moody and Joseph D. Gaddini

Page 1 of 11

It is certified that error appears in the above-identified patent and that said Letters Patent is hereby corrected as shown below:

Title page should be deleted and substitute therefor the attached title page.

Drawings

Delete Figs. 1-12 and substitute therefor Figs. 1-12 as shown on the attached pages.

Signed and Sealed this

Sixteenth Day of March, 2010

A handwritten signature in black ink that reads "David J. Kappos". The signature is written in a cursive, flowing style.

David J. Kappos
Director of the United States Patent and Trademark Office

(12) **United States Design Patent**
Moody et al.

(10) Patent No.: **US D607,959 S**
 (45) Date of Patent: **** Jan. 12, 2010**

(54) **DUAL ACCESSORY RAIL MOUNT FOR A FORE GRIP**

- (75) Inventors: **Joseph R. Moody**, Jacksonville, FL (US); **Joseph D. Gaddini**, Cape Coral, FL (US)
- (73) Assignee: **Grip Pod Systems, L.L.C.**, Jacksonville, FL (US)
- (**) Term: **14 Years**
- (21) Appl. No.: **29/314,913**
- (22) Filed: **May 8, 2009**

Related U.S. Application Data

- (60) Division of application No. 29/305,863, filed on Mar. 28, 2008, now Pat. No. Des. 594,085, which is a continuation-in-part of application No. 29/302,183, filed on Jan. 11, 2008, now Pat. No. Des. 591,822, which is a continuation-in-part of application No. 29/299,849, filed on Jan. 4, 2008, which is a continuation-in-part of application No. 29/296,039, filed on Oct. 12, 2007, now Pat. No. Des. 594,925, which is a continuation-in-part of application No. 11/871,632, filed on Oct. 12, 2007, now Pat. No. 7,559,167, which is a continuation-in-part of application No. 11/652,337, filed on Jan. 11, 2007, now Pat. No. 7,568,304, which is a continuation-in-part of application No. 11/485,762, filed on Jul. 13, 2006, now Pat. No. 7,490,429, which is a continuation-in-part of application No. 10/725,082, filed on Dec. 2, 2003, now Pat. No. 7,111,424.

- (51) LOC (9) Cl. 22-01
- (52) U.S. Cl. D22/109
- (58) Field of Classification Search D22/100, D22/108, 109, 110, 199; 42/11, 113, 116, 42/119, 124, 125, 127, 90, 145, 128, 72, 42/106, 114, 85, 75.02, 71.01; 124/205.1, 124/201

See application file for complete search history.

(56) **References Cited**

U.S. PATENT DOCUMENTS

271,251 A 1/1883 Leerbech et al.

(Continued)

FOREIGN PATENT DOCUMENTS

FR	2623595	5/1969
FR	2623595	5/1989

OTHER PUBLICATIONS

Denis, H.R., Archer, M.A., *Jane's Infantry Weapons*, 1976, pp. 1-3. Brugger and Thomet Unipod, Forward Grip with Retractable Bipod, online, DSA, Inc., Systems Second to None, DSA Order Center, 1 page, [retrieved on Oct. 18, 2006] retrieved from: <http://dsarms.com/item-detail.cfm?ID=BT21830A&storeid=1&image=bt21830A.gif>.

(Continued)

Primary Examiner—T. Chase Nelson
Assistant Examiner—Michael A Pratt
 (74) *Attorney, Agent, or Firm*—Brian S. Steinberger; Law Offices of Brian S. Steinberger, P.A.

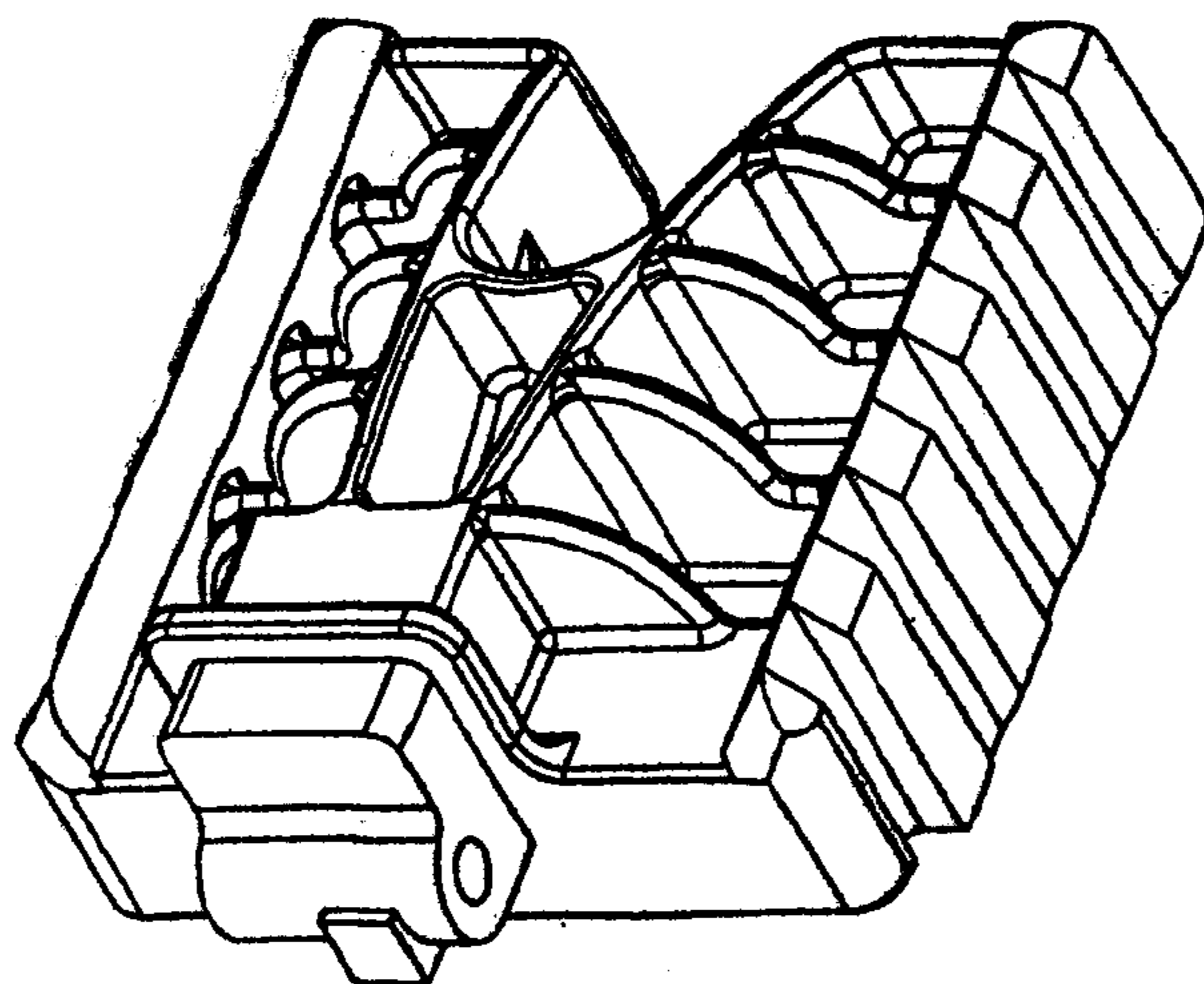
(57) **CLAIM**

The ornamental design for dual accessory rail mount for a fore grip, as shown and described.

DESCRIPTION

- FIG. 1 is an upper front left perspective of a dual accessory rail mount for a fore grip.
- FIG. 2 is an upper front right perspective view of the design of FIG. 1.
- FIG. 3 is an upper rear right perspective view of the design of FIG. 1.
- FIG. 4 is an upper rear left perspective view of the design of FIG. 1.
- FIG. 5 is a lower front left perspective view of the design of FIG. 1.
- FIG. 6 is a lower front right perspective view of the design of FIG. 1.
- FIG. 7 is a front view of the design of FIG. 1.
- FIG. 8 is a rear view of the design of FIG. 1.
- FIG. 9 is a top view of the design of FIG. 1.
- FIG. 10 is a bottom view of the design of FIG. 1.
- FIG. 11 is a left side view of the design of FIG. 1; and,
- FIG. 12 is a right side view of the design of FIG. 1.

1 Claim, 9 Drawing Sheets



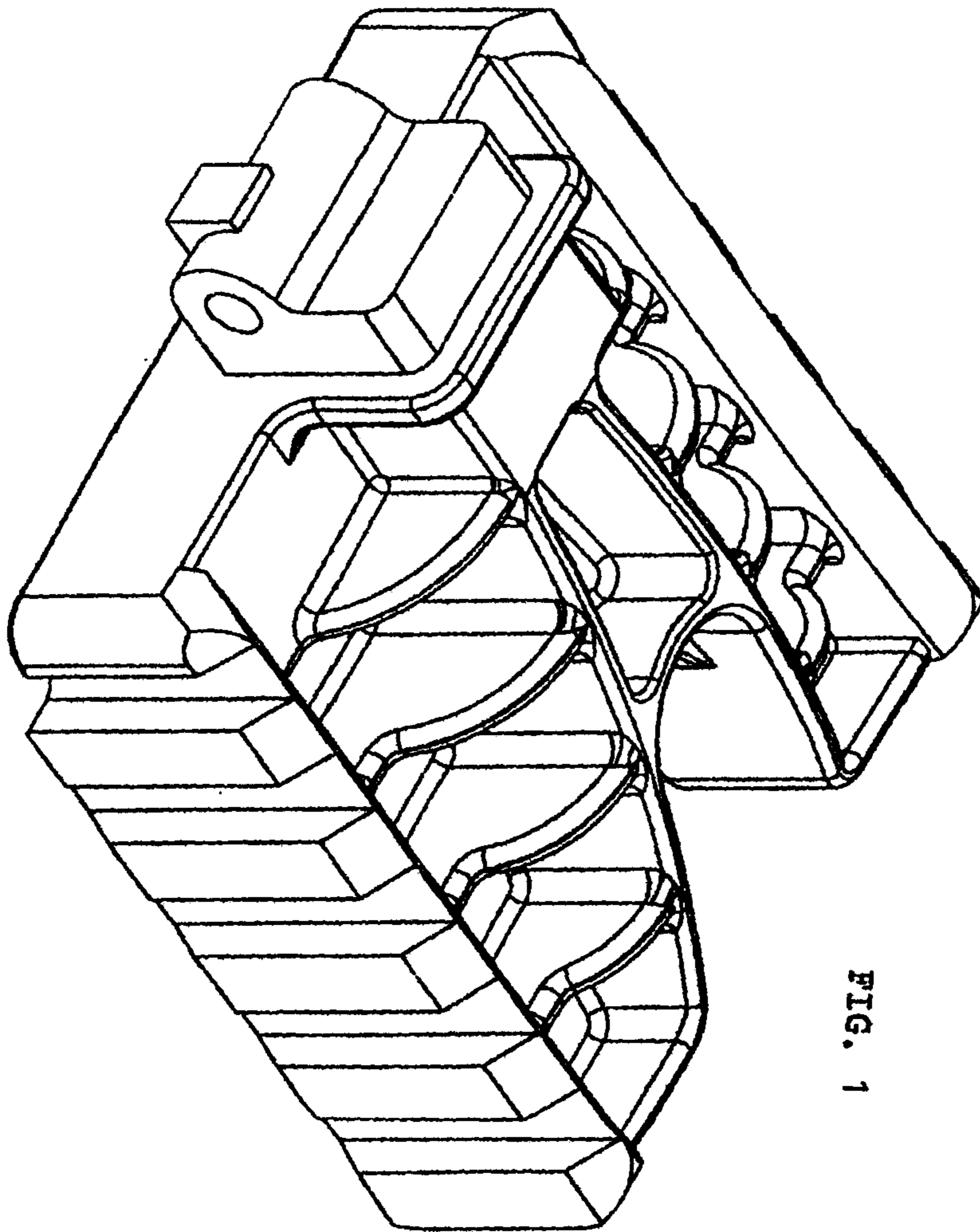


FIG. 1

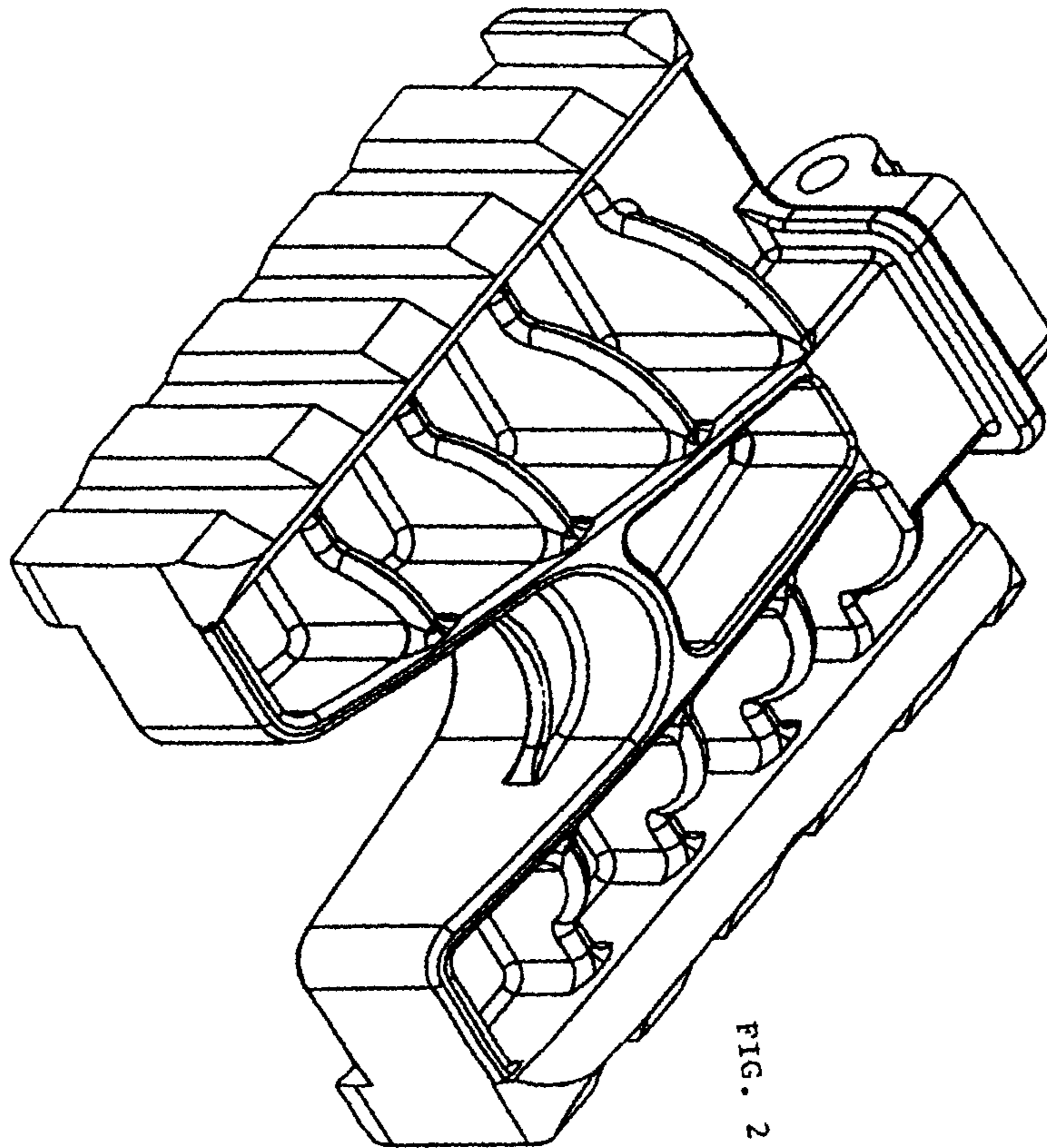
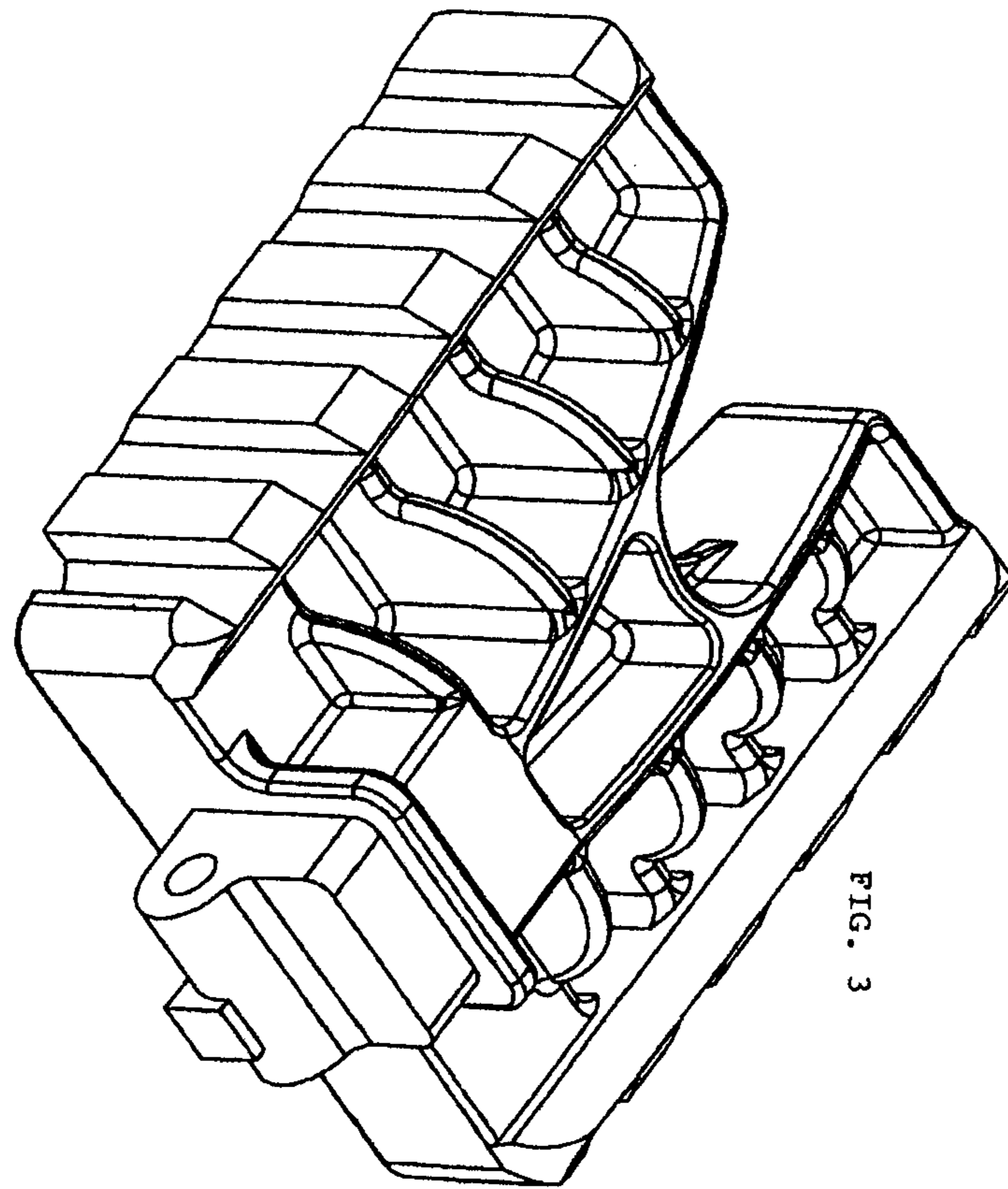
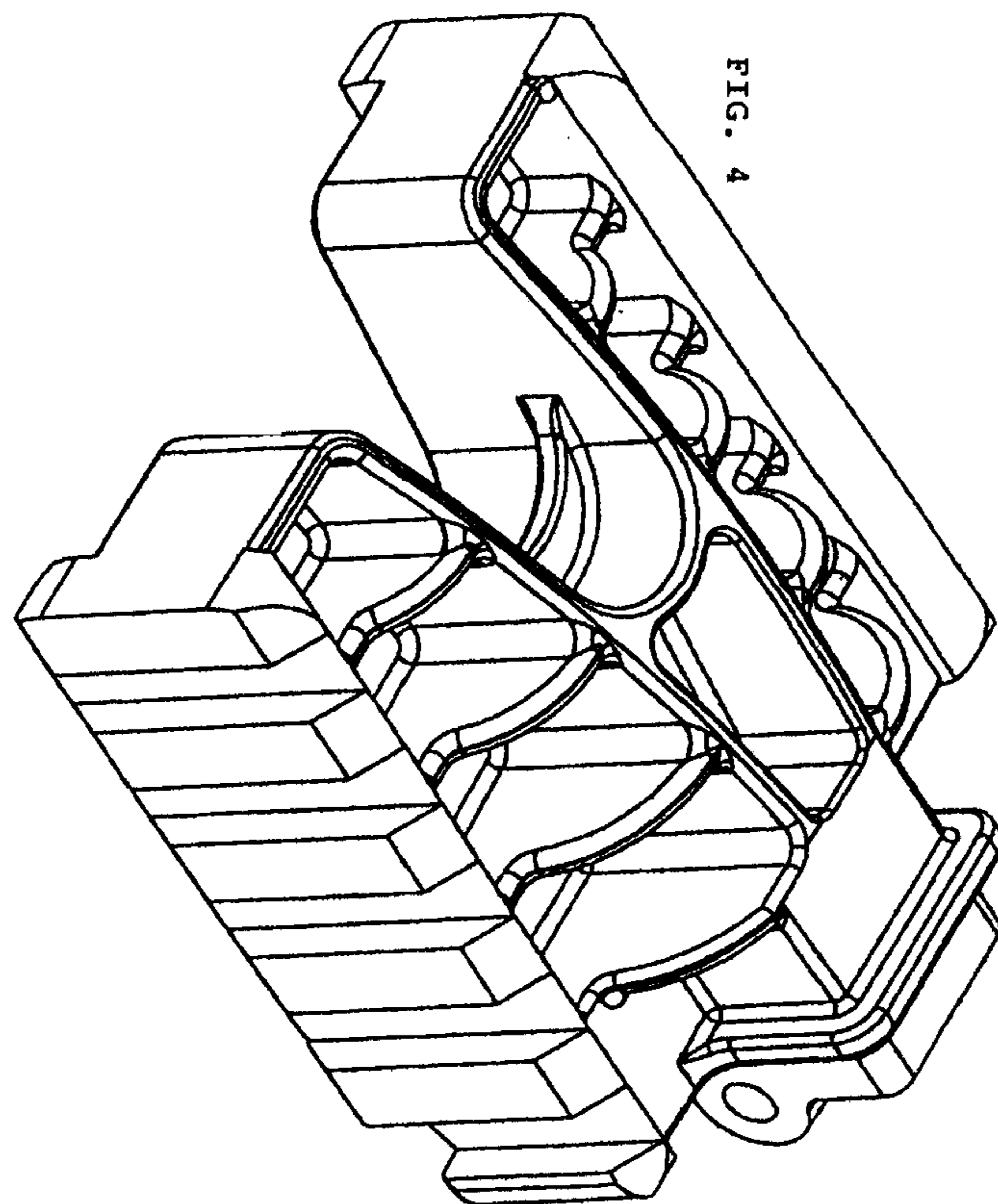


FIG. 2





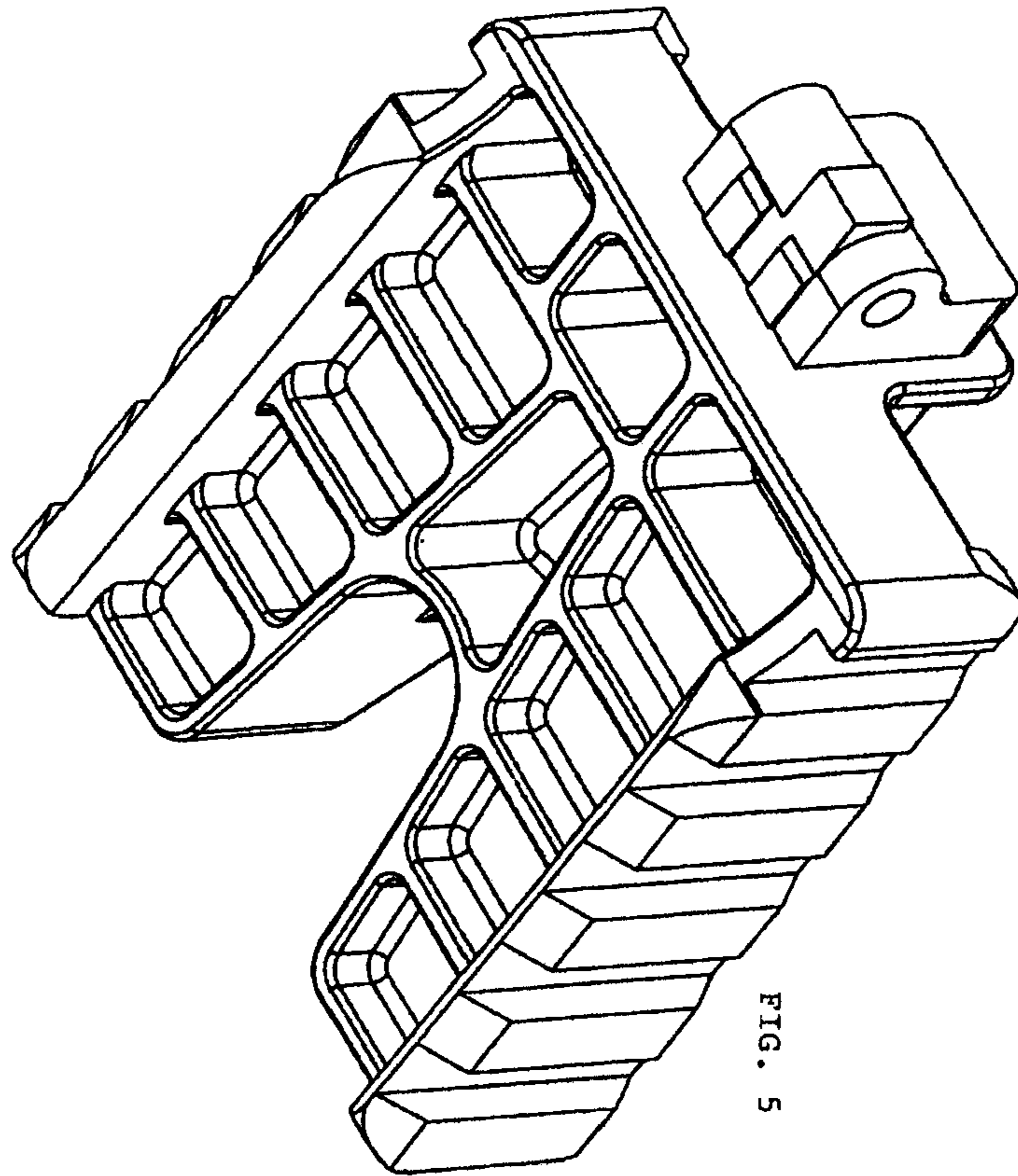


FIG. 5

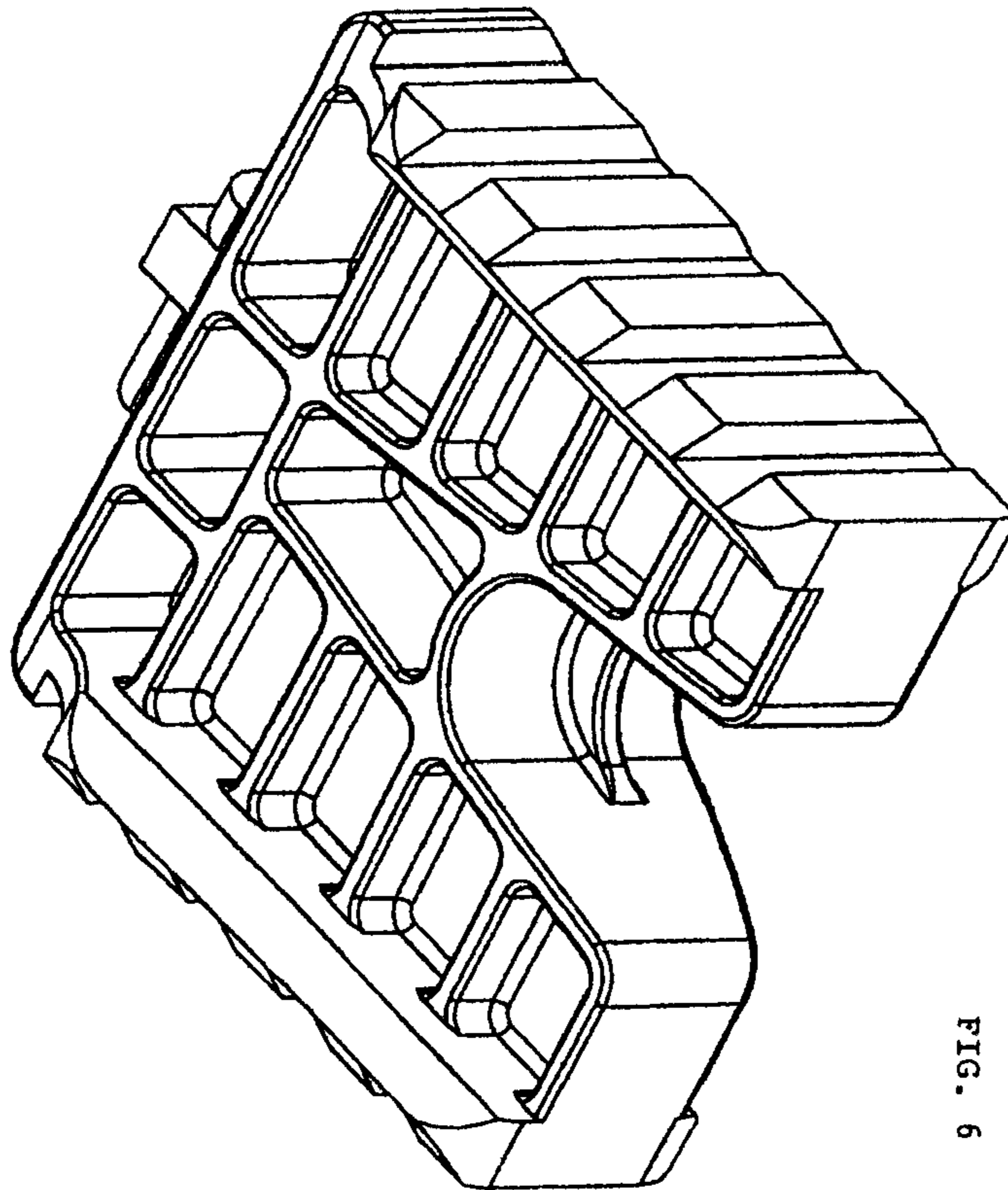


FIG. 6

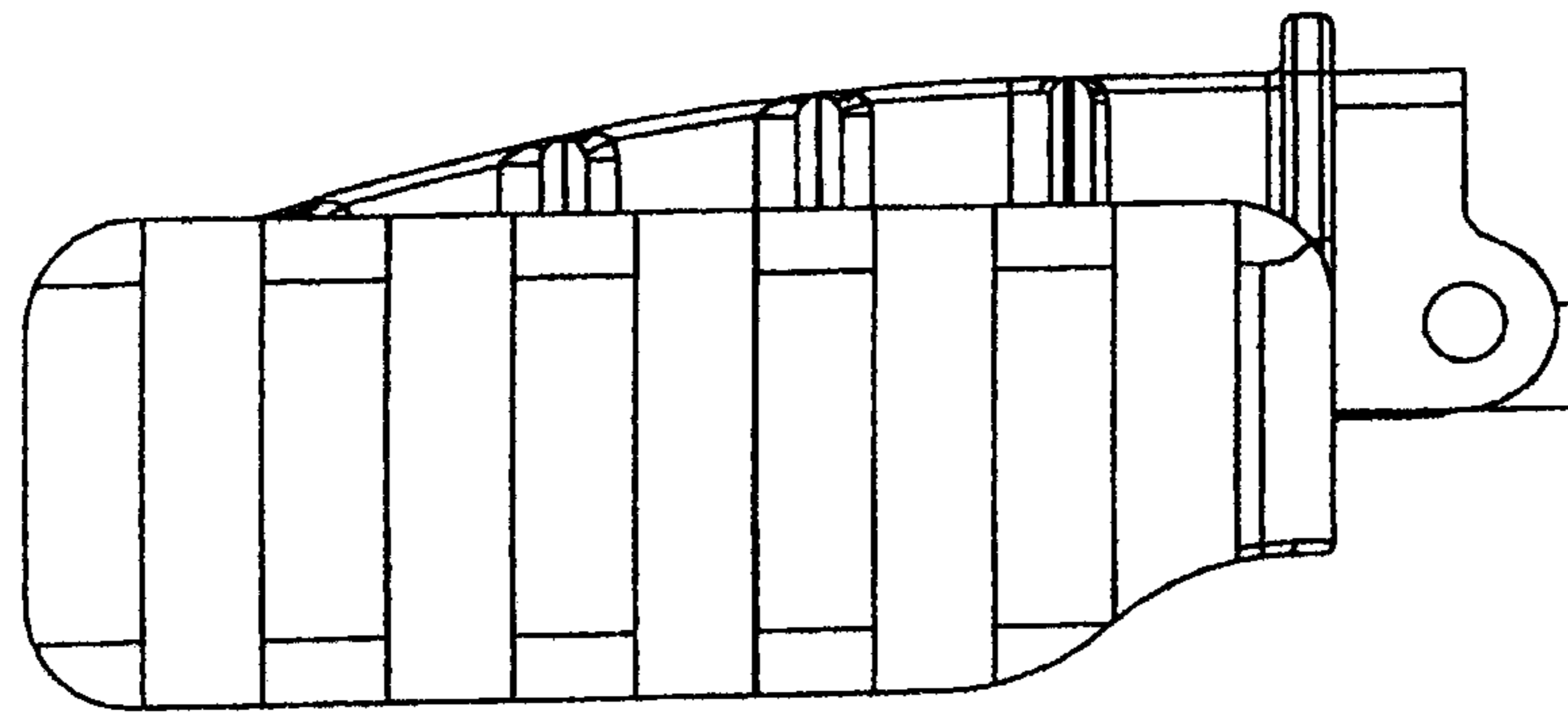


FIG. 7

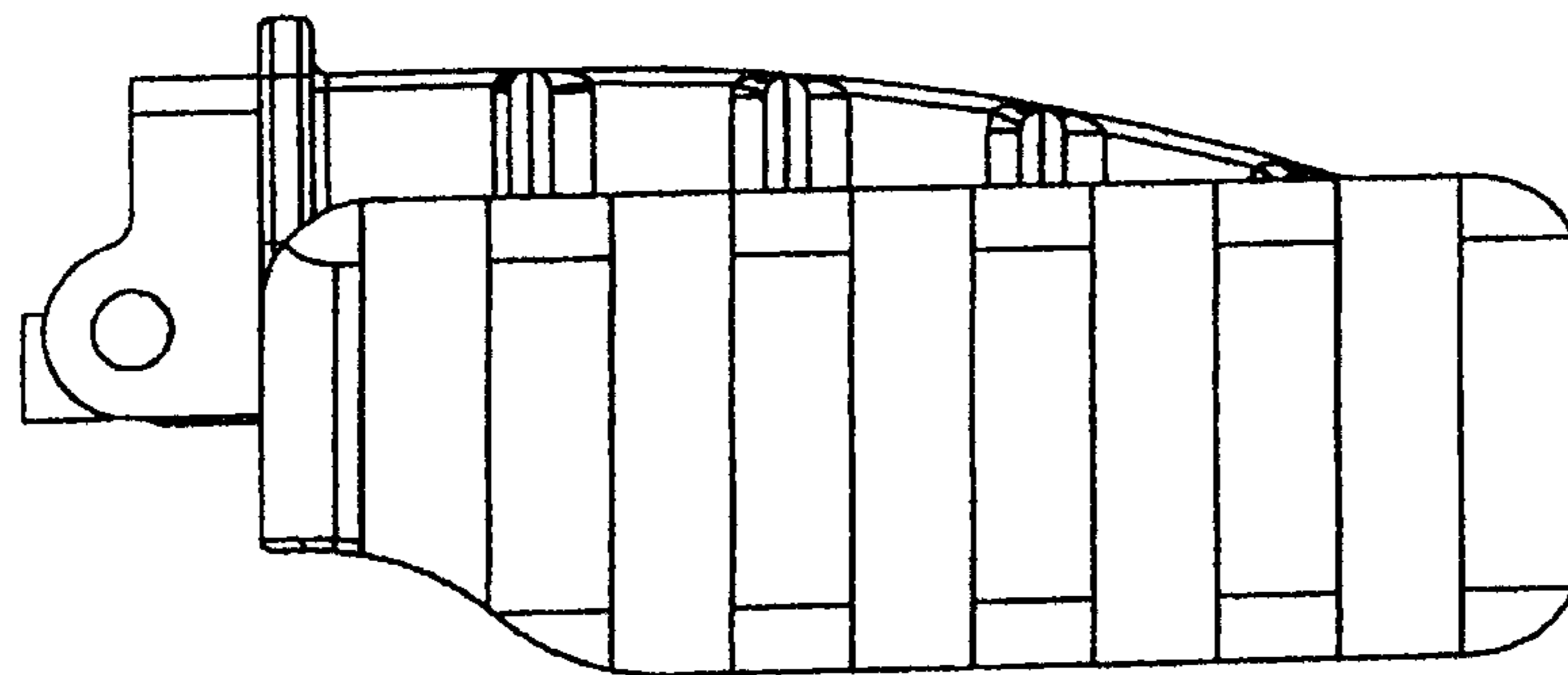


FIG. 8

FIG. 9

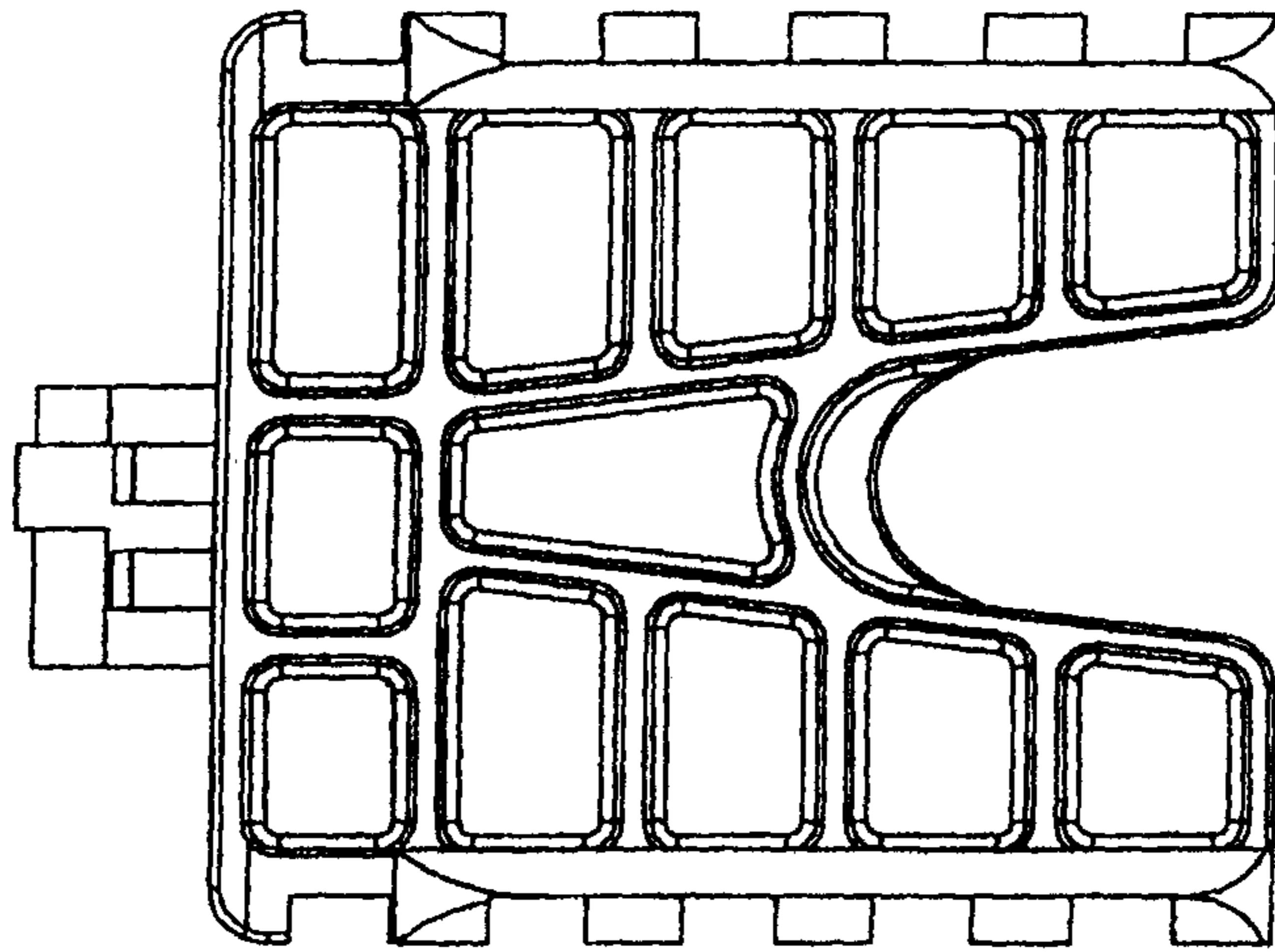


FIG. 10

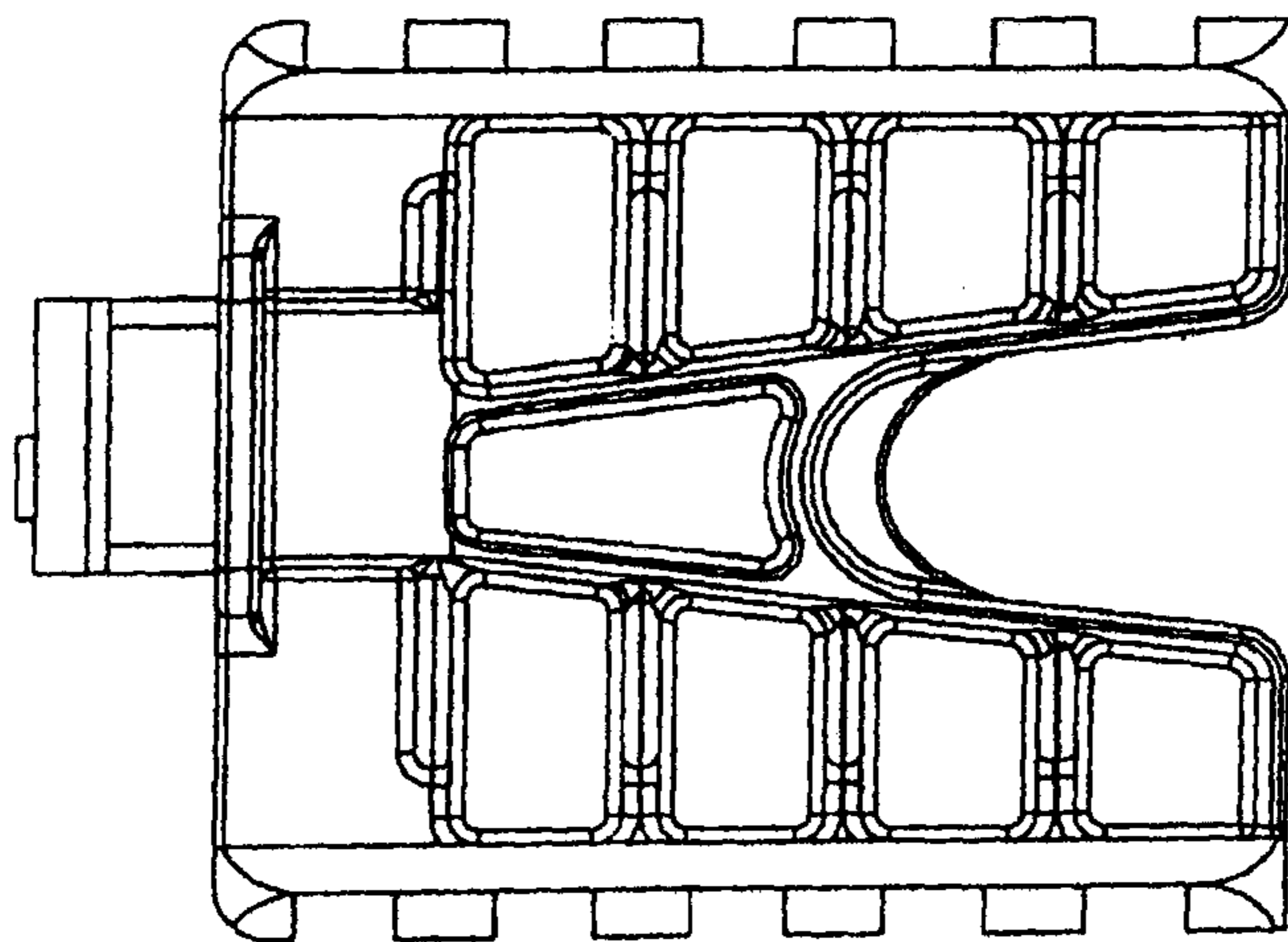


FIG. 11

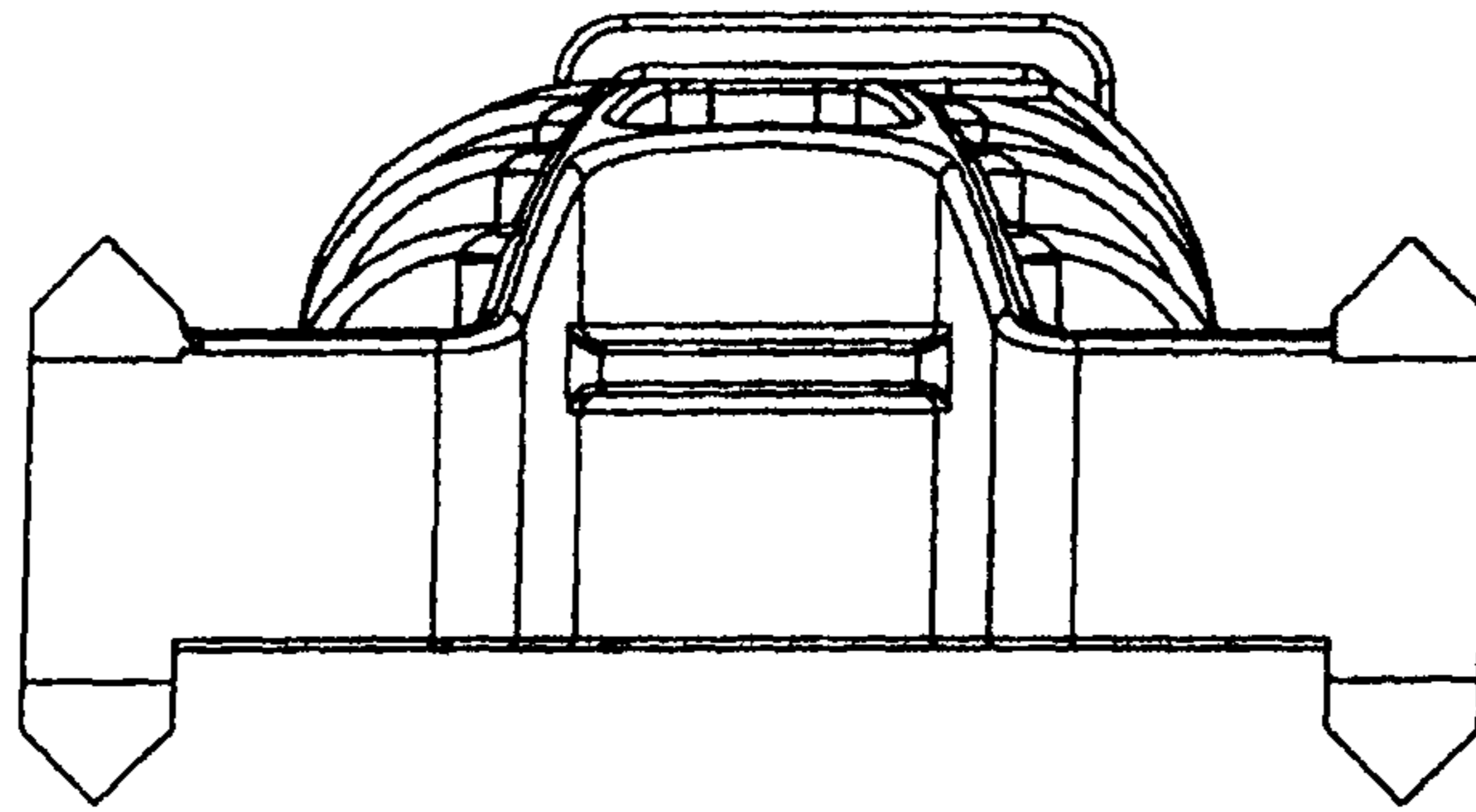


FIG. 12

