



US00D607957S

(12) **United States Design Patent**
Swan

(10) **Patent No.:** **US D607,957 S**

(45) **Date of Patent:** **** Jan. 12, 2010**

(54) **WEAPON LIGHT**

(76) Inventor: **Richard E. Swan**, 171 West St., E.
Bridgewater, MA (US) 02333

(**) Term: **14 Years**

(21) Appl. No.: **29/330,760**

(22) Filed: **Jan. 14, 2009**

(51) **LOC (9) Cl.** **22-01**

(52) **U.S. Cl.** **D22/106**

(58) **Field of Classification Search** D22/100–109;
D26/37, 46, 47, 48, 49; 362/157–158, 183,
362/184, 190, 194, 195, 196, 197, 202–208,
362/187, 192, 193

See application file for complete search history.

(56) **References Cited**

U.S. PATENT DOCUMENTS

3,030,497	A *	4/1962	Cheng	362/184
D365,621	S *	12/1995	Coste	D22/109
D455,510	S *	4/2002	Galli	D26/37
D455,513	S *	4/2002	Galli	D26/49
D501,943	S *	2/2005	Lui (Phillip)	D26/49
D569,537	S *	5/2008	Lui (Phillip)	D26/49
D570,018	S *	5/2008	Ciccone et al.	D26/37
D574,982	S *	8/2008	Lau	D26/37
D579,135	S *	10/2008	Shiu	D26/49
D582,592	S *	12/2008	Opolka	D26/49
2004/0120142	A1 *	6/2004	Galli	362/191

* cited by examiner

Primary Examiner—T. Chase Nelson

Assistant Examiner—Michael A Pratt

(74) *Attorney, Agent, or Firm*—Barlow, Josephs & Holmes,
Ltd.

(57) **CLAIM**

The ornamental design for a weapon light, as shown and described.

DESCRIPTION

FIG. 1 is a perspective view of the weapon light in accordance with the present invention;

FIG. 2 is a right side view thereof;

FIG. 3 is a left side view thereof;

FIG. 4 is a top view thereof;

FIG. 5 is a bottom view thereof;

FIG. 6 is a front view thereof;

FIG. 7 is a rear view thereof;

FIG. 8 is a perspective view of the weapon light of FIG. 1 showing removal of the light modules and plugs in the respective openings;

FIG. 9 is a perspective view of the weapon light of FIG. 1 showing only the laser module and plugs in the remaining openings;

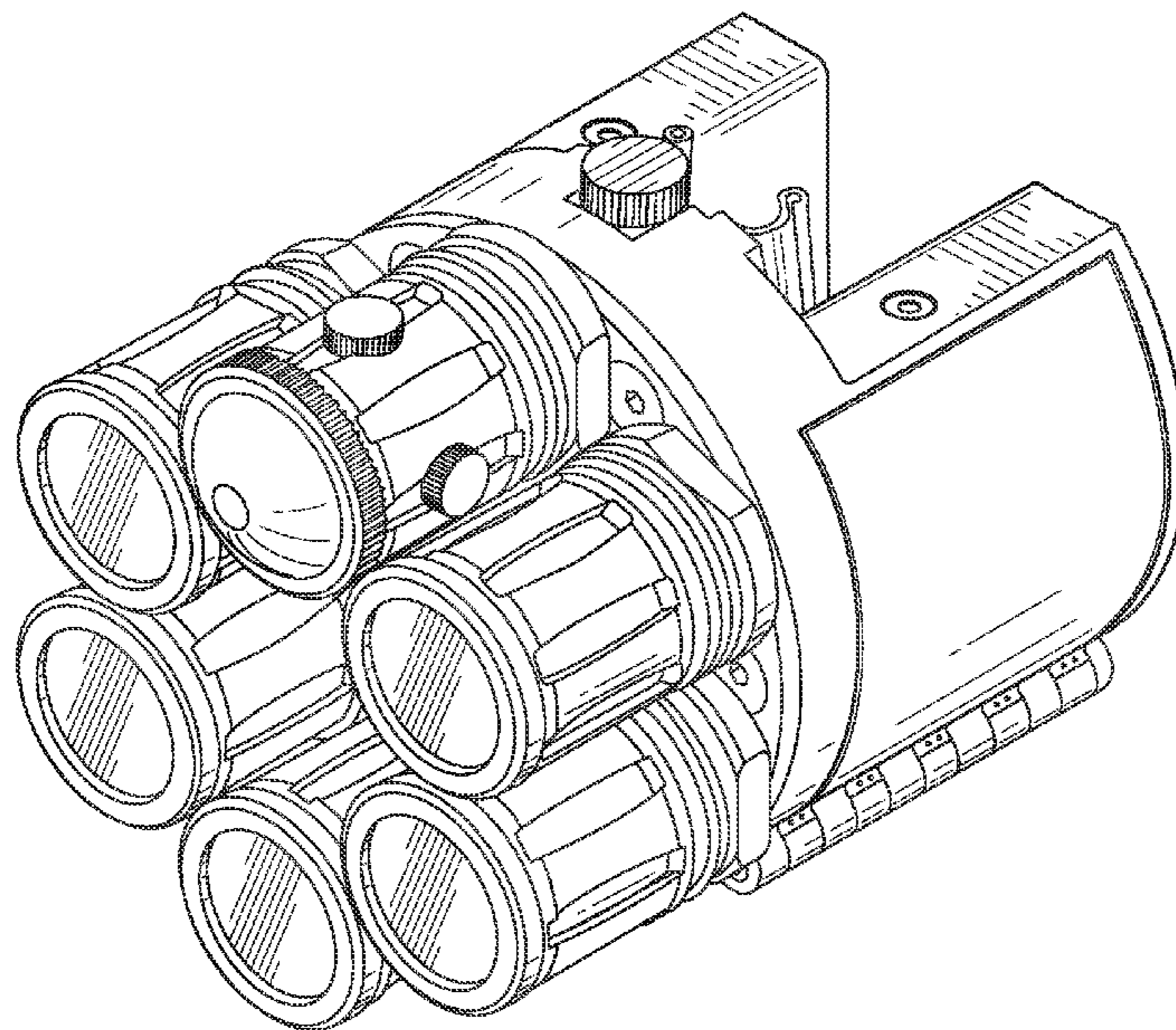
FIG. 10 is a perspective view of the weapon light of FIG. 1 showing three light modules and plugs in the remaining openings;

FIG. 11 is a perspective view of the weapon light of FIG. 1 showing two light modules and plugs in the remaining openings; and,

FIG. 12 is a perspective view of the weapon light of FIG. 1 showing two light modules and plugs in the remaining openings.

The recessed and raised portions on FIG. 7 shown in broken lines are for illustrating the environment and form no part of the claimed design.

1 Claim, 12 Drawing Sheets



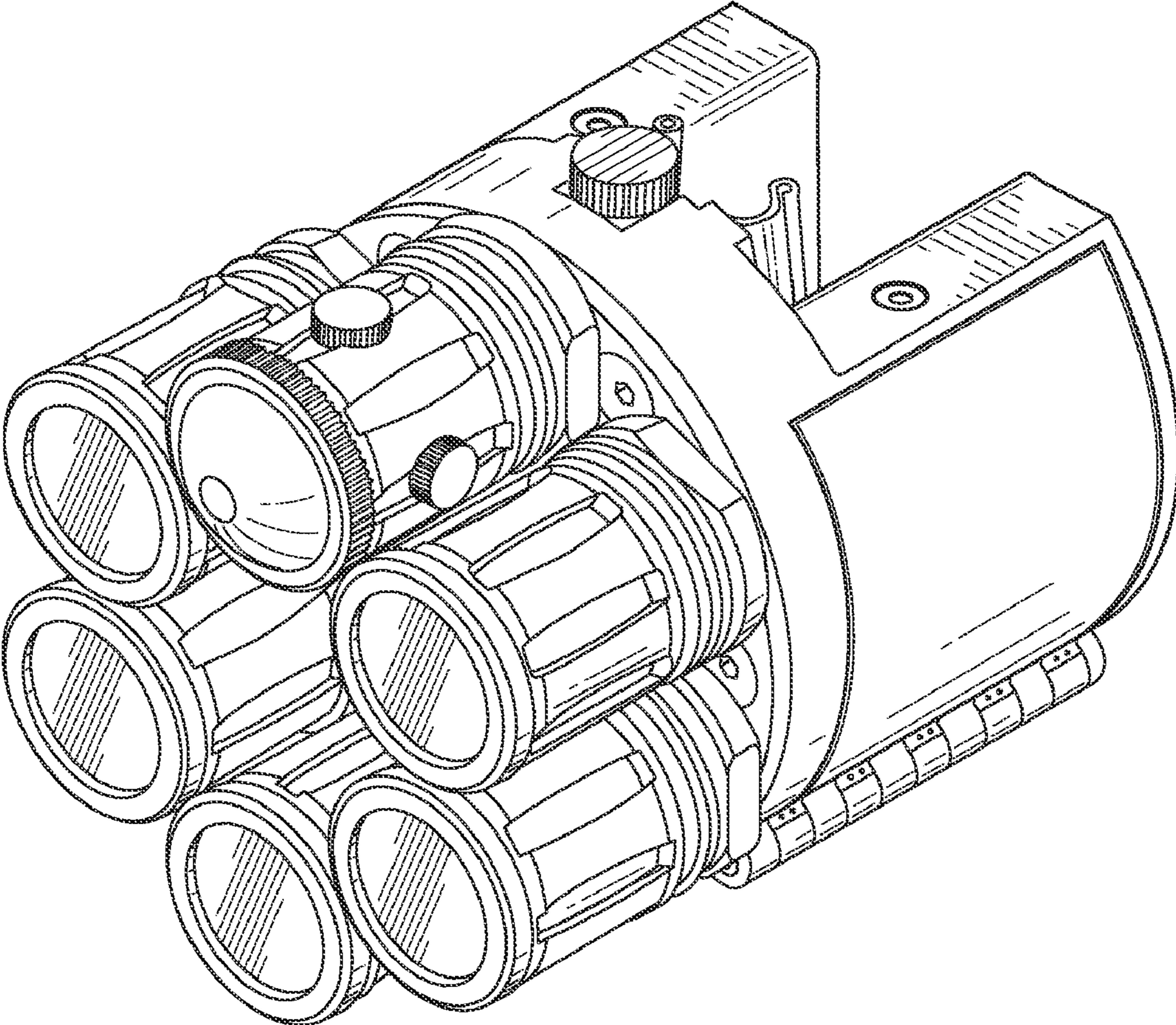


FIG. 1

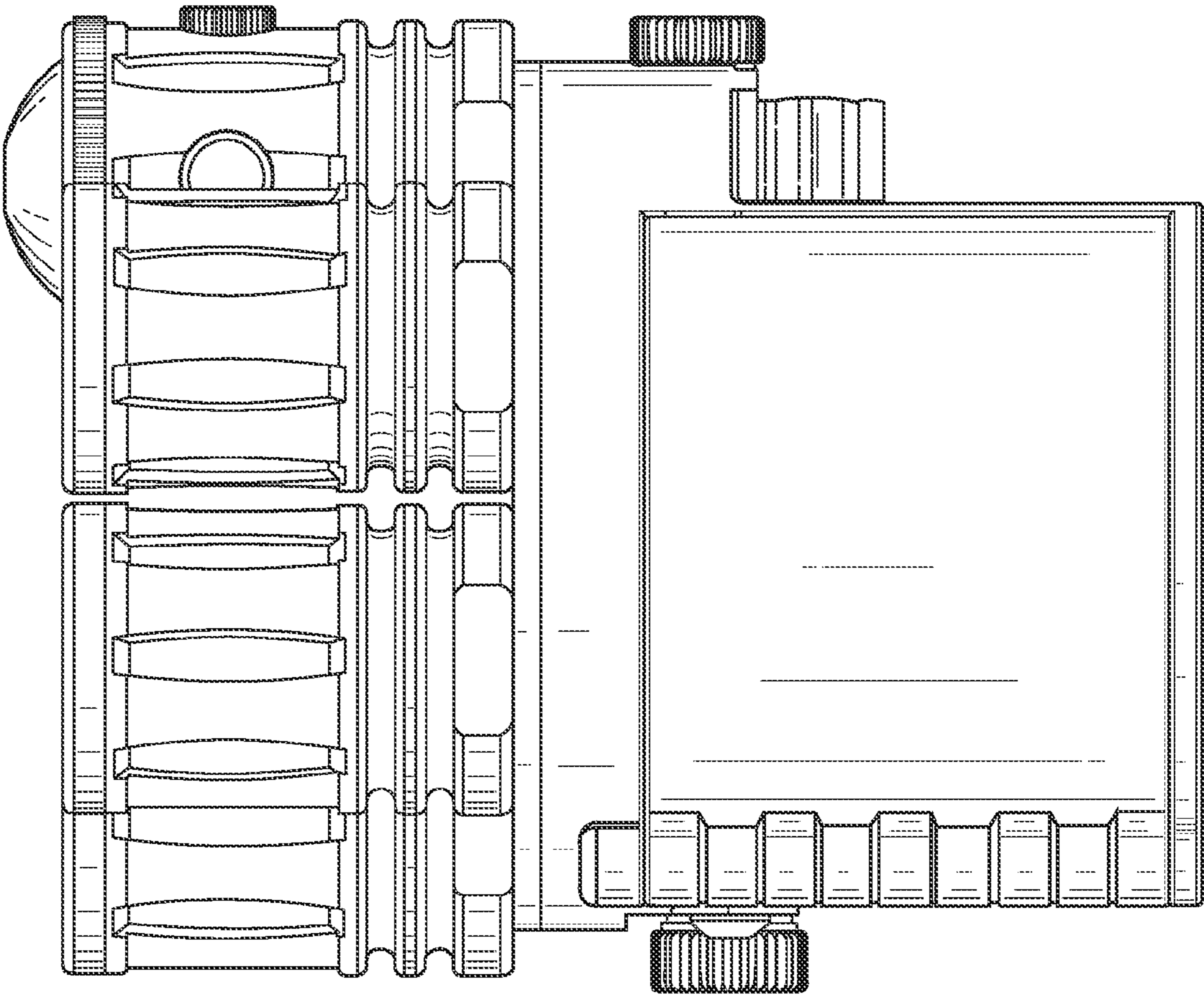


FIG. 2

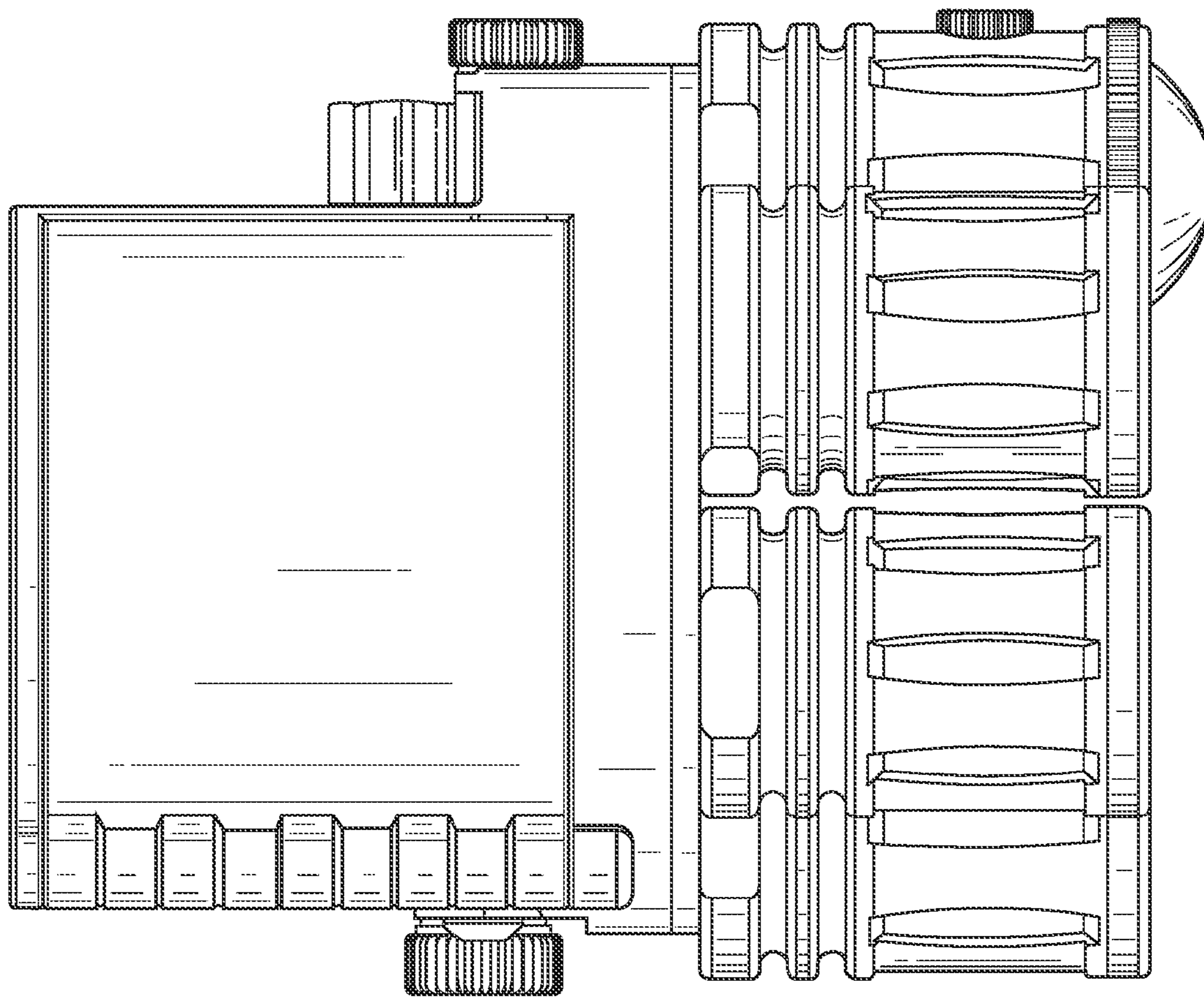


FIG. 3

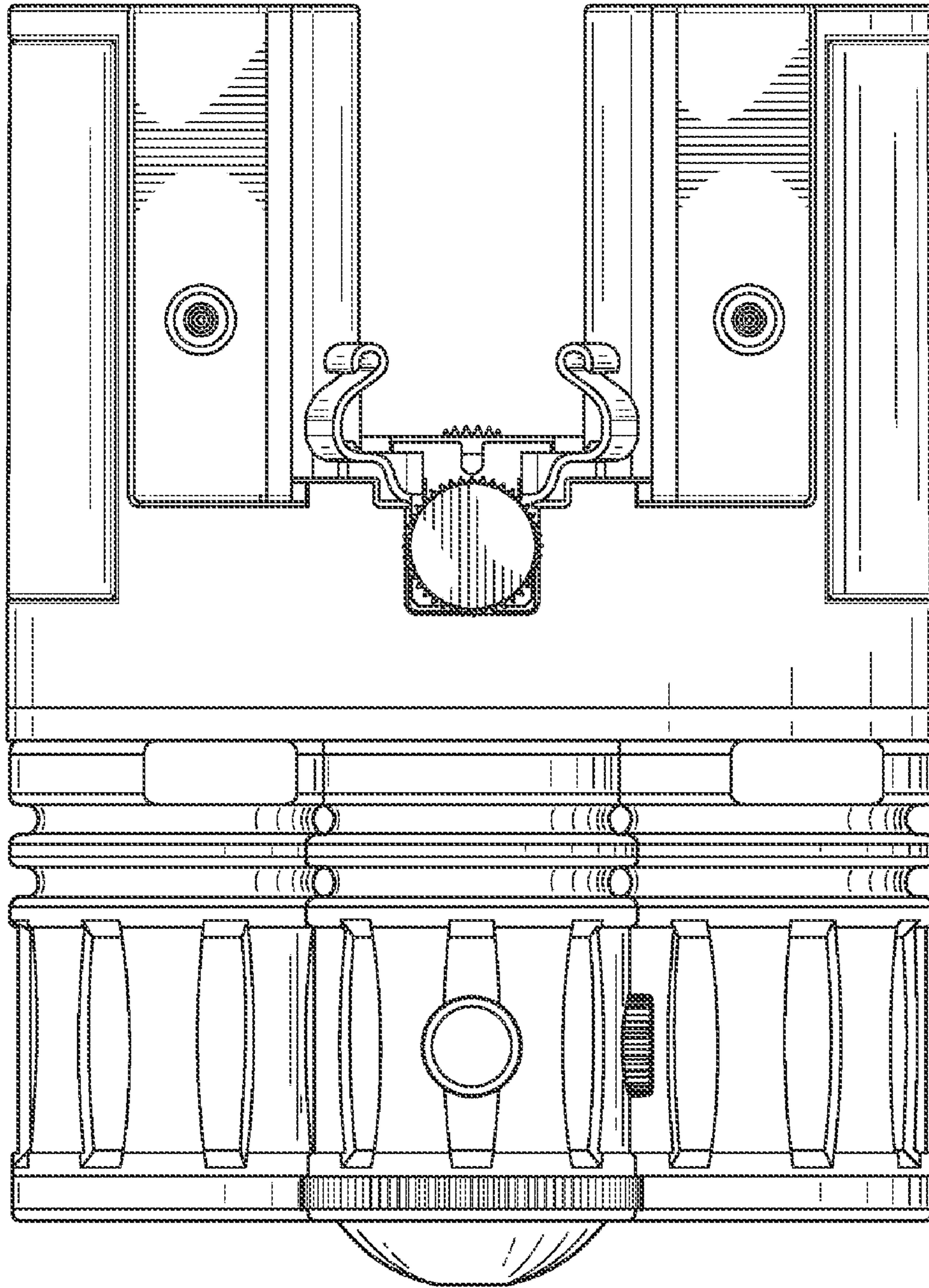


FIG. 4

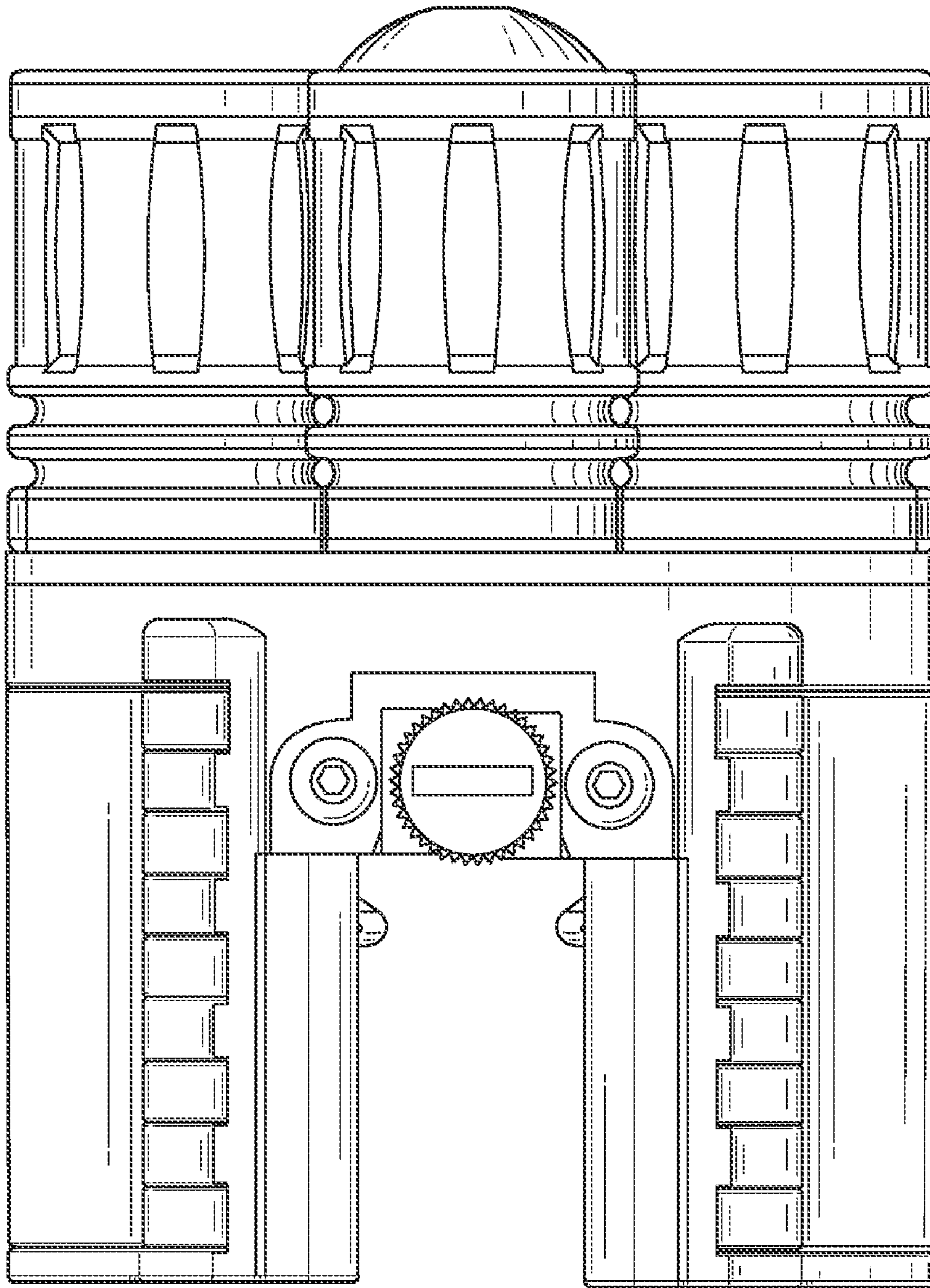


FIG. 5

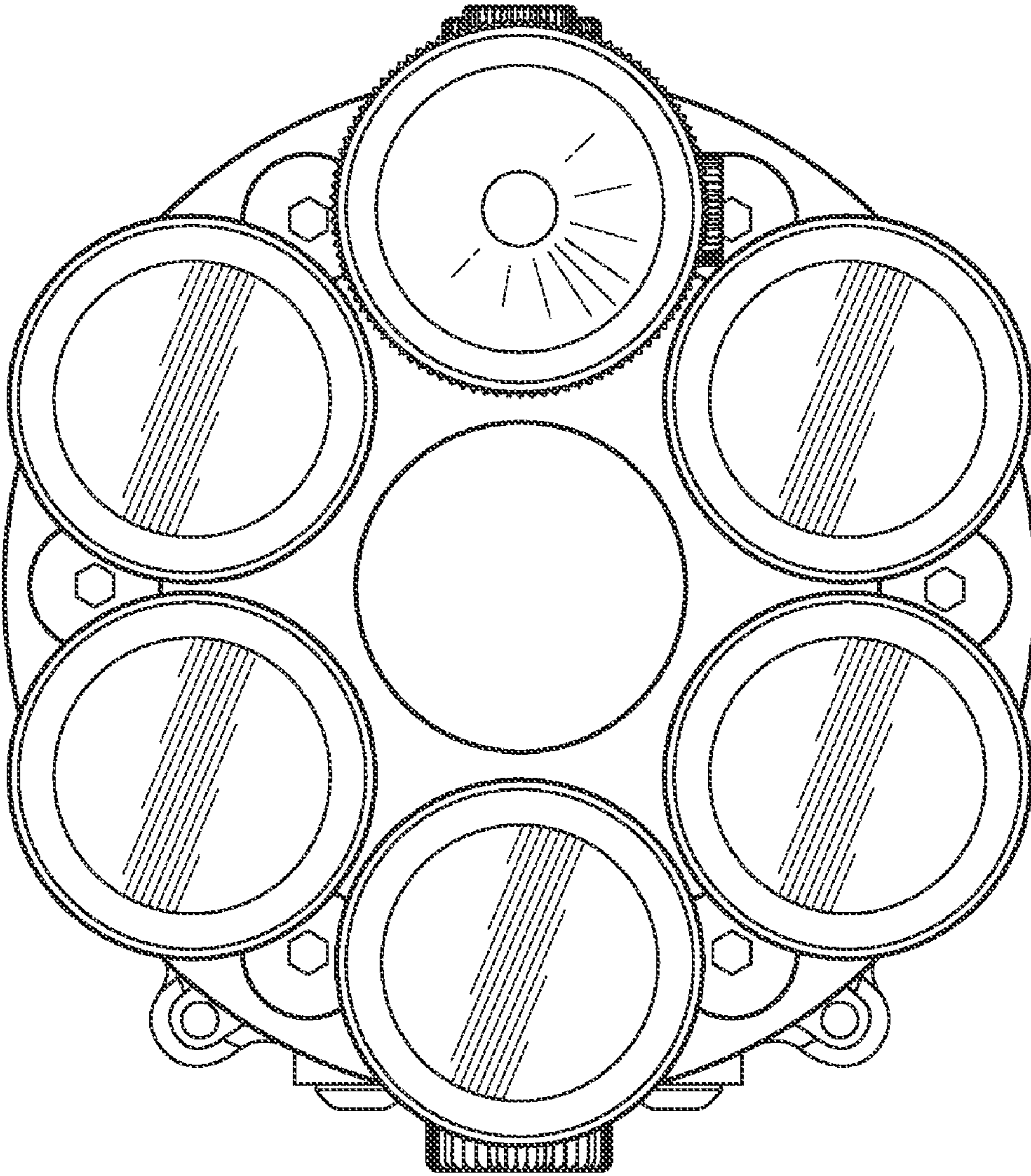


FIG. 6

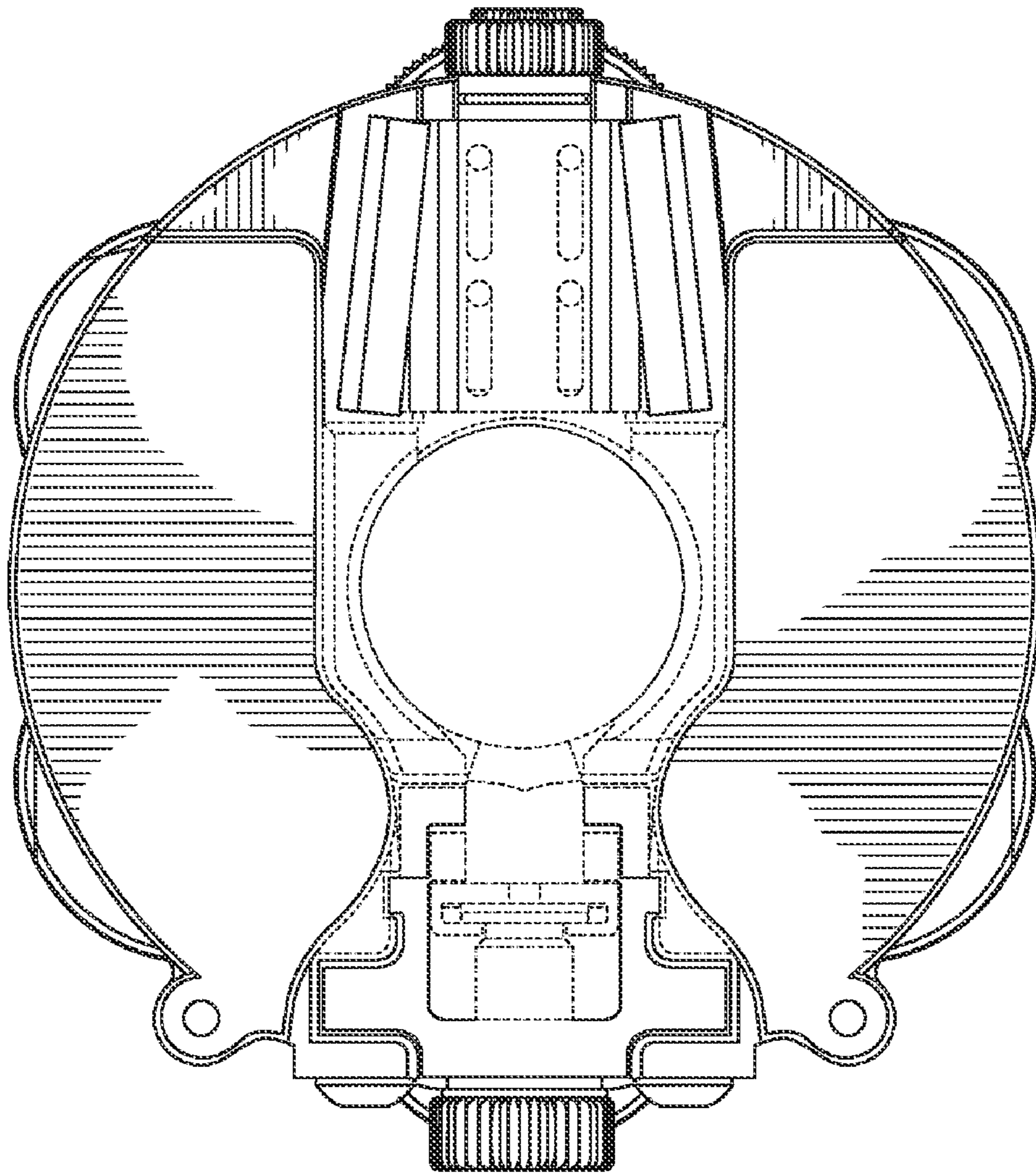


FIG. 7

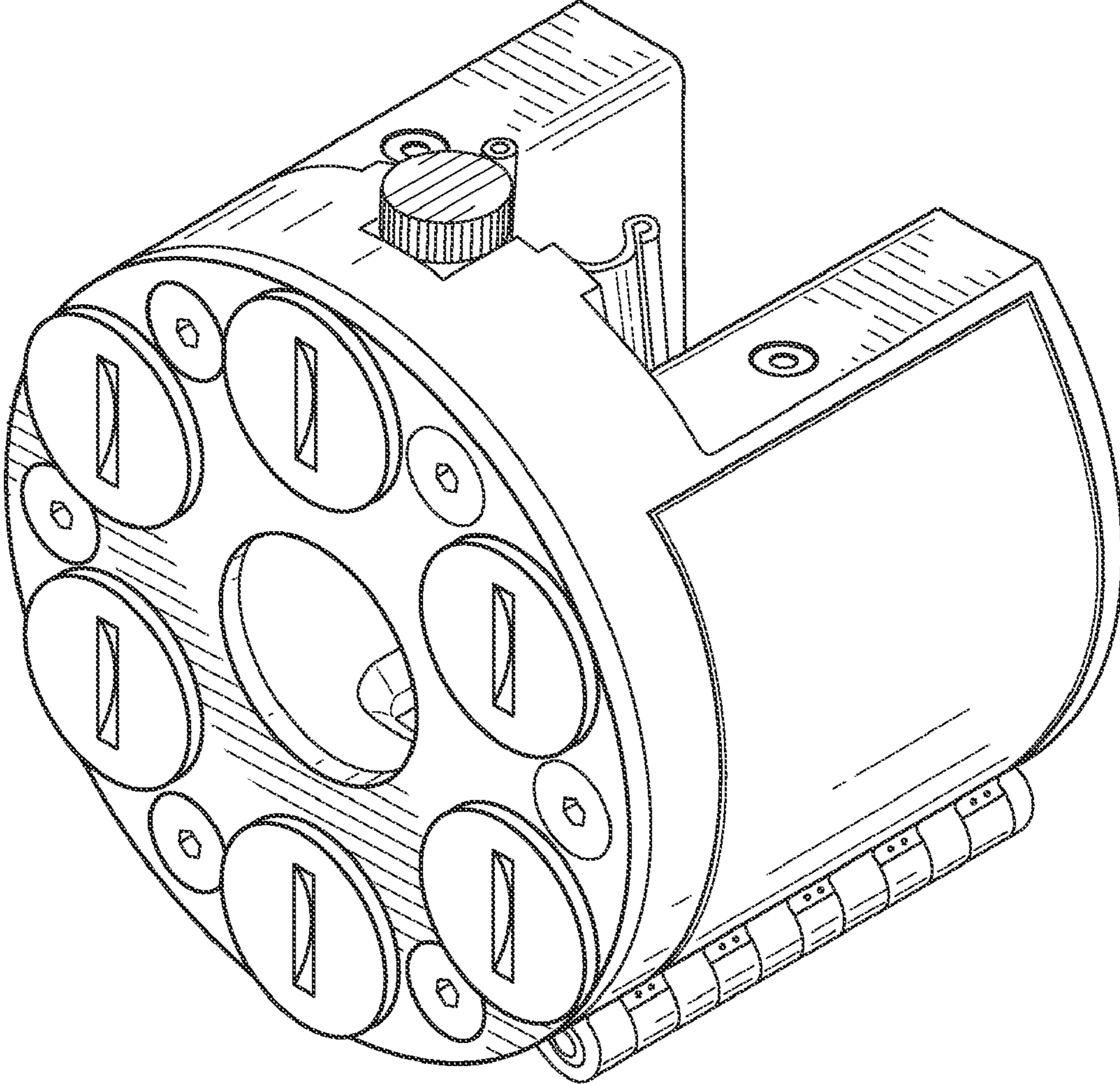


FIG. 8

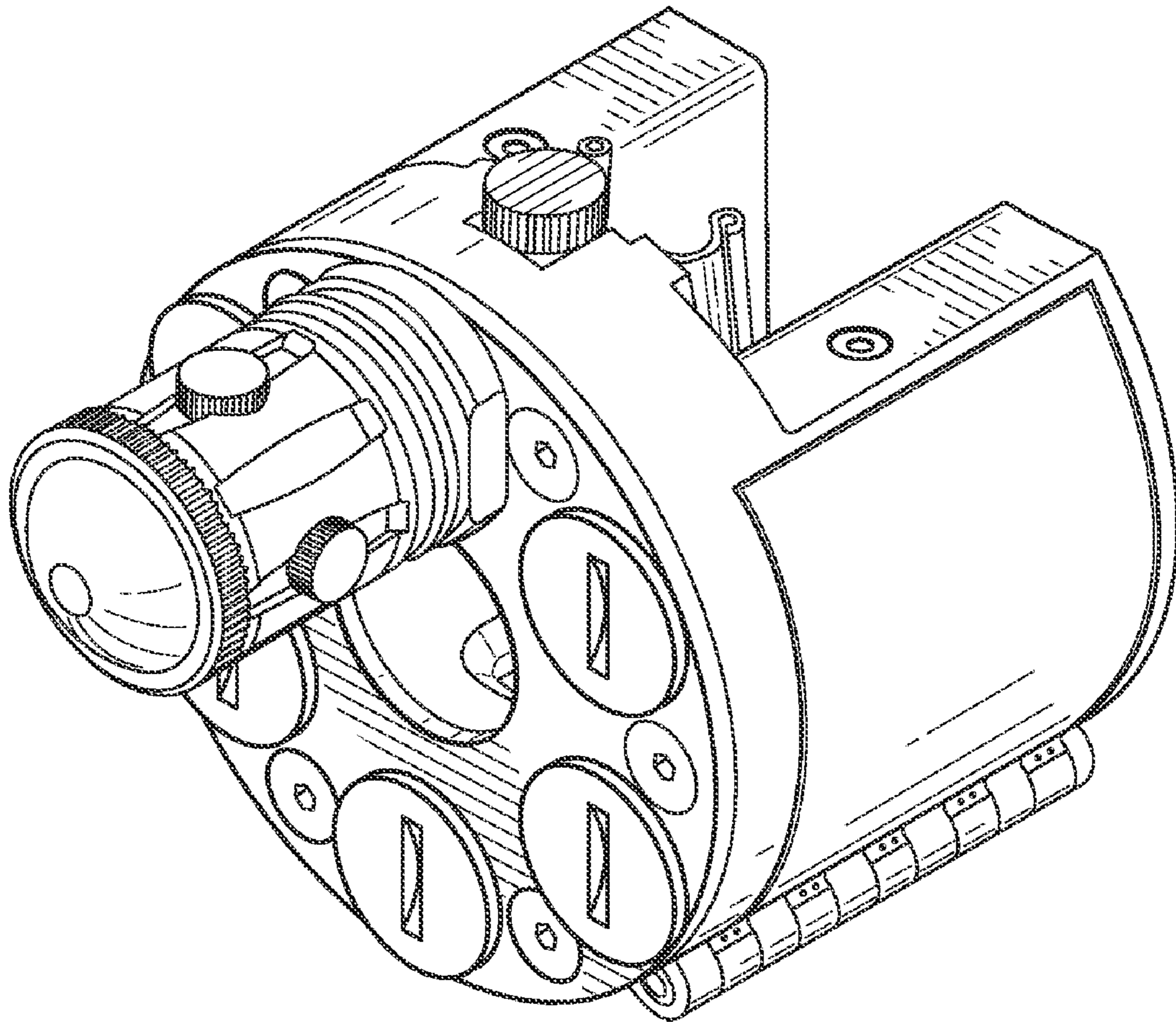


FIG. 9

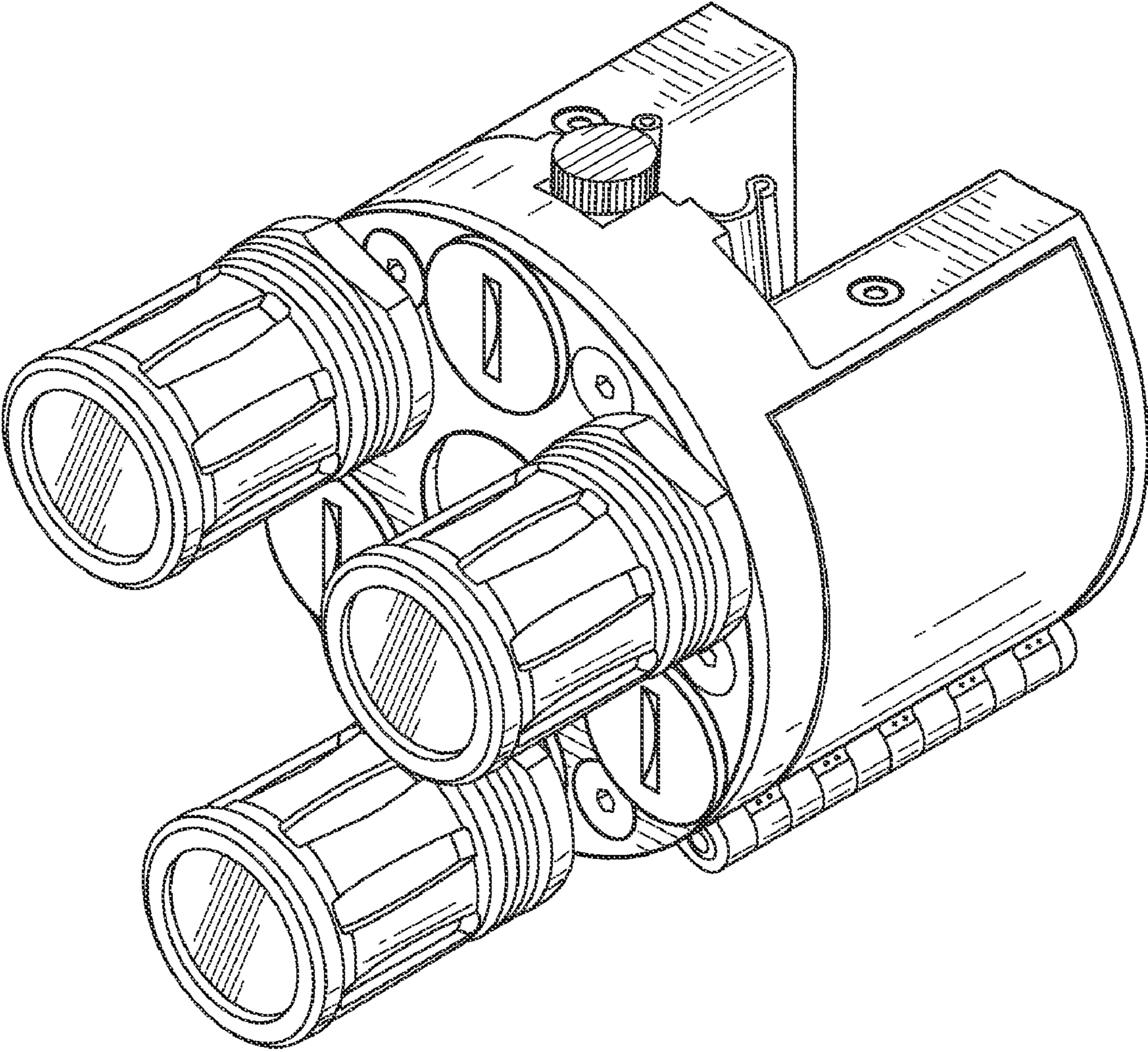


FIG. 10

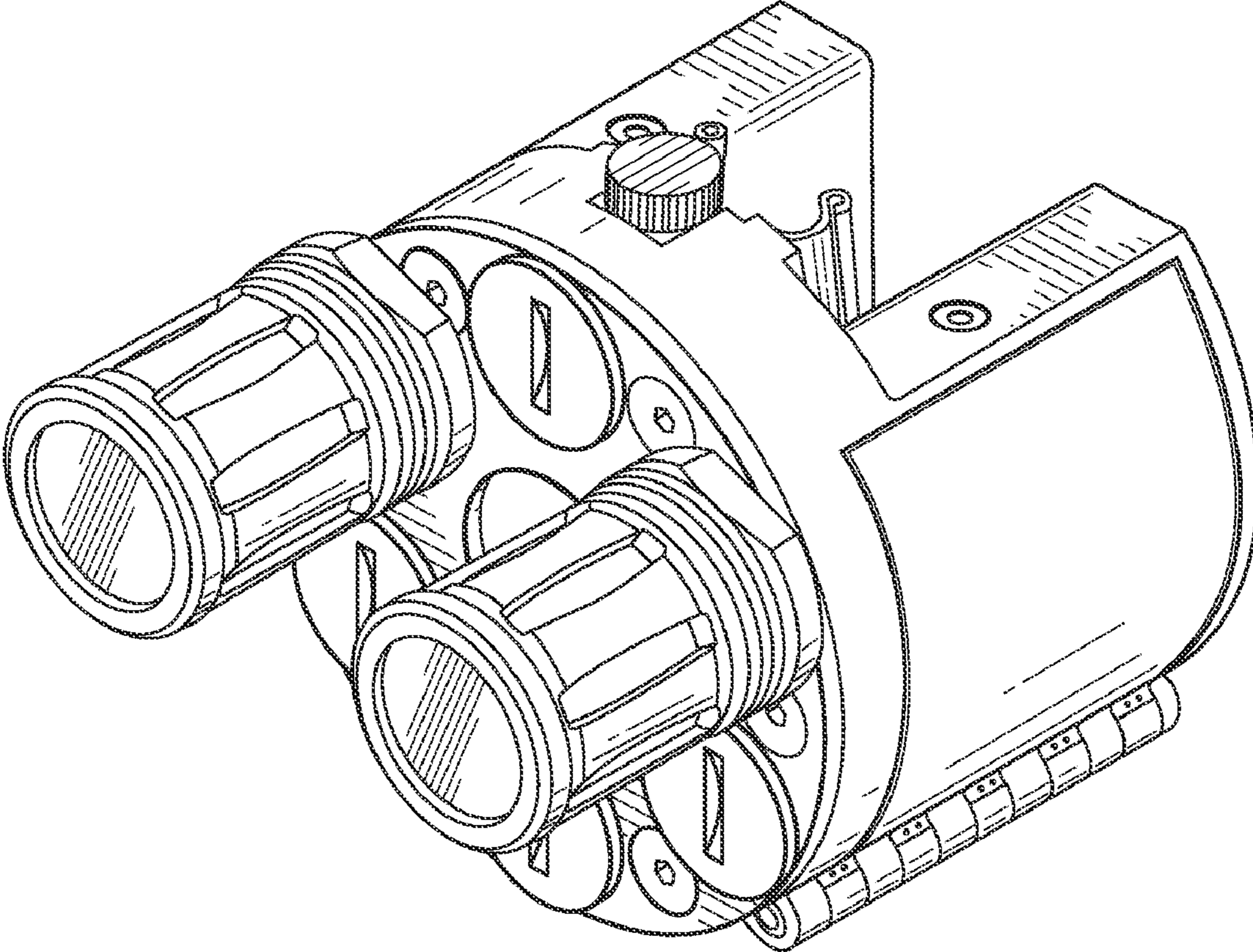


FIG. 11

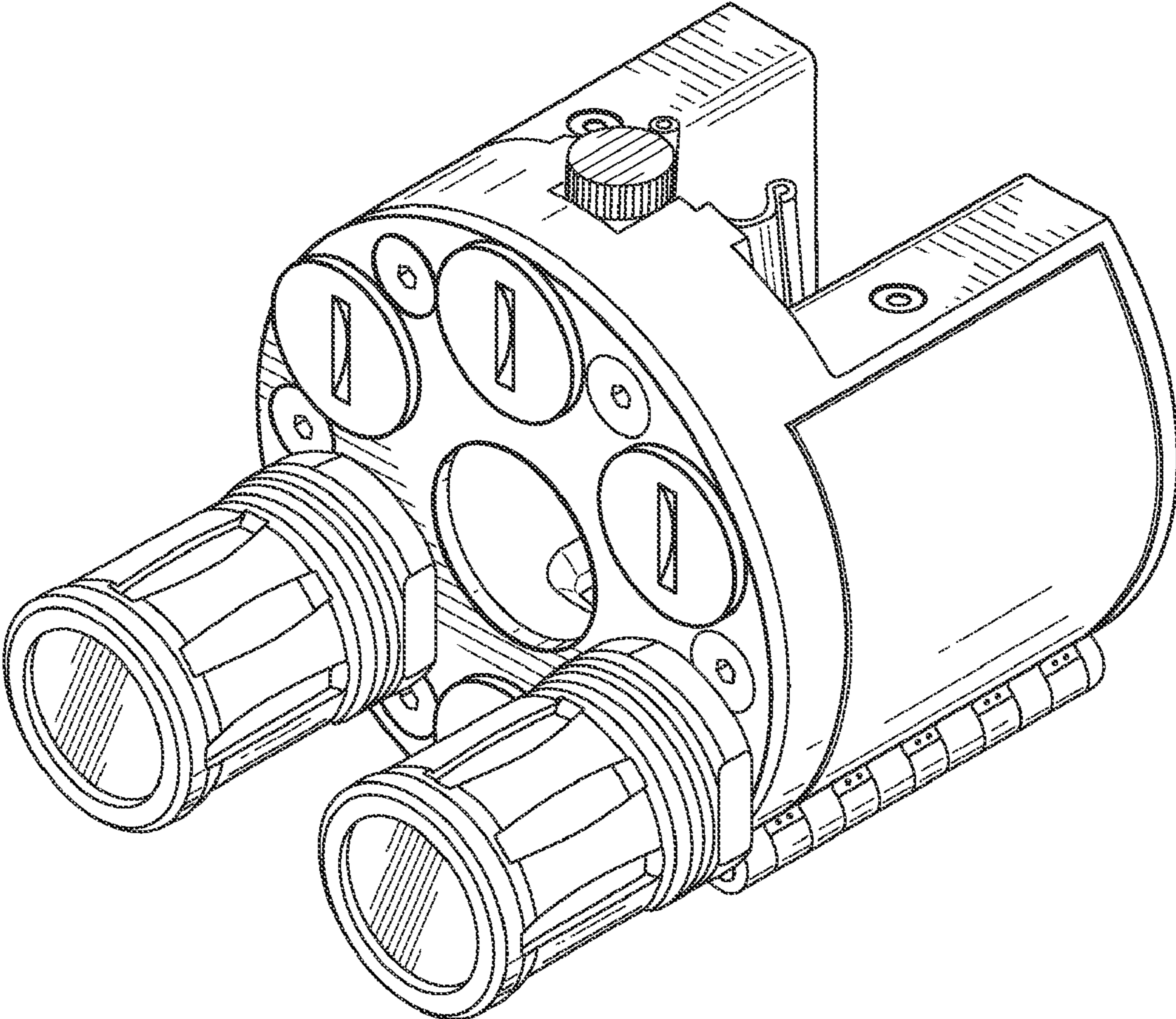


FIG. 12