



US00D607952S

(12) **United States Design Patent**
Demkowski et al.

(10) **Patent No.:** **US D607,952 S**
(45) **Date of Patent:** **** Jan. 12, 2010**

(54) **PUTTER HEAD**

(75) Inventors: **Paul M. Demkowski**, San Diego, CA (US); **Bret H. Wahl**, Escondido, CA (US); **Sean Toulon**, Vista, CA (US); **Marni D. Ines**, San Marcos, CA (US); **Robert Nunez**, San Diego, CA (US); **Bill Price**, Santa Ana, CA (US)

D542,873 S 5/2007 Oldknow
D565,137 S * 3/2008 Oldknow et al. D21/736
7,344,451 B2 3/2008 Tang et al.
D569,460 S * 5/2008 Walker et al. D21/743
7,396,295 B1 7/2008 Frame et al.
D584,780 S * 1/2009 Ines et al. D21/746
D587,325 S * 2/2009 Solheim et al. D21/736
D587,326 S * 2/2009 Ines et al. D21/746
D595,370 S 6/2009 Ines et al.

(73) Assignee: **Taylor Made Golf Company, Inc.**, Carlsbad, CA (US)

* cited by examiner

(**) Term: **14 Years**

Primary Examiner—Mitchell I Siegel
(74) *Attorney, Agent, or Firm*—Klarquist Sparkman, LLP

(21) Appl. No.: **29/314,111**

(57) **CLAIM**

(22) Filed: **Mar. 3, 2009**

We claim the ornamental design for a putter head, as shown and described.

(51) **LOC (9) Cl.** **21-02**
(52) **U.S. Cl.** **D21/743**
(58) **Field of Classification Search** D21/736–746;
473/324–331, 340–341
See application file for complete search history.

DESCRIPTION

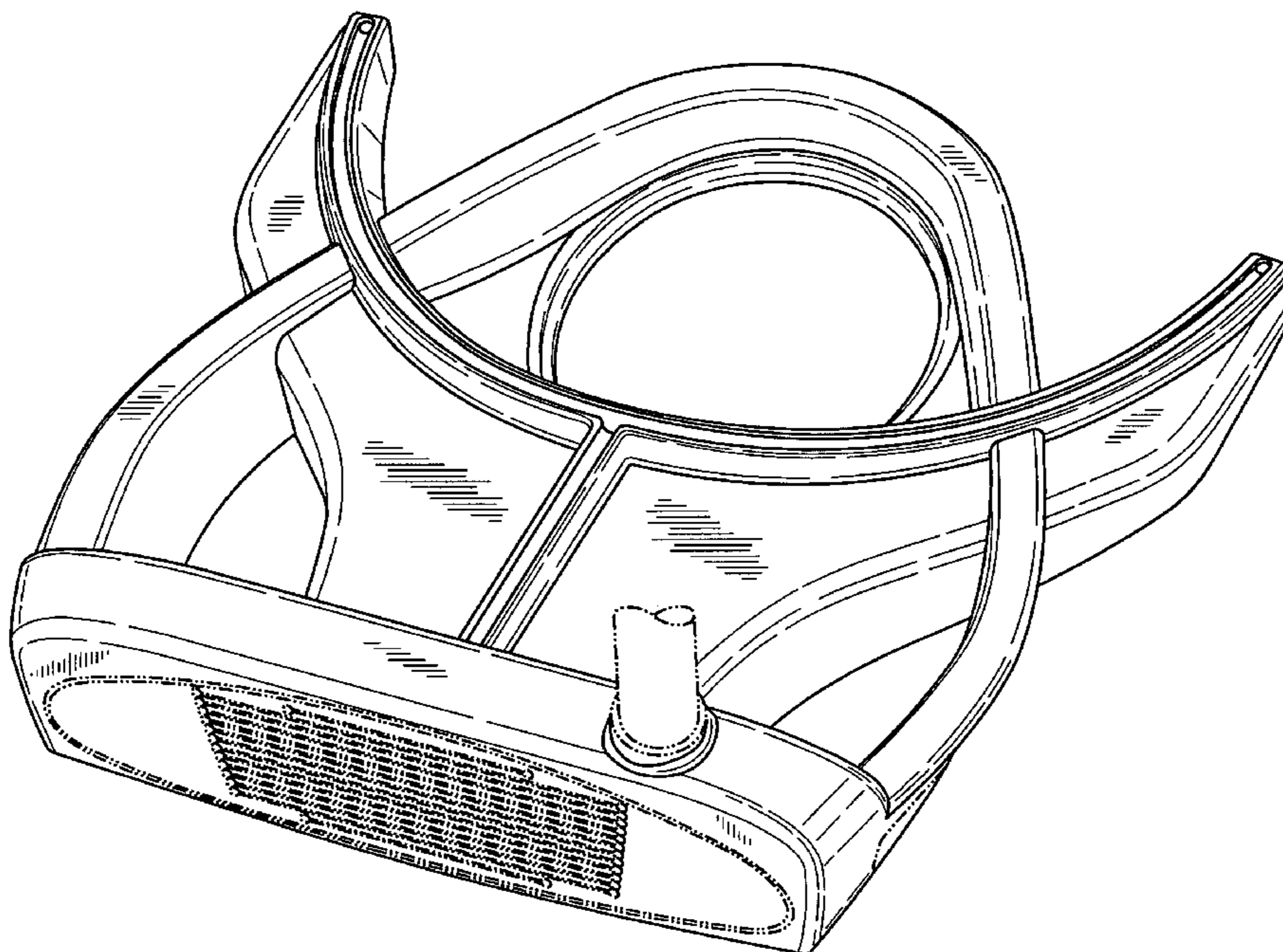
FIG. 1 is a perspective view of a putter head, as viewed from the front, above and one side, according to one embodiment. FIG. 2 is a top plan view of the putter head of FIG. 1. FIG. 3 is a bottom plan view of the putter head of FIG. 1. FIG. 4 is a front elevation view of the putter head of FIG. 1. FIG. 5 is a rear elevation view of the putter head of FIG. 1; and, FIG. 6 is a side elevation view of the putter head of FIG. 1 taken from the heel side, the opposite side being a mirror image thereof. The dashed lines in the drawings are for illustrative purpose only and form no part of the claimed design.

(56) **References Cited**

U.S. PATENT DOCUMENTS

6,506,125 B2 1/2003 Helmstetter et al.
D496,417 S 9/2004 Tang
D510,394 S 10/2005 Tang et al.
D520,584 S 5/2006 Karlsen
D521,582 S 5/2006 Souza et al.
D523,102 S 6/2006 Stites et al.
D538,364 S 3/2007 Frame et al.
D540,897 S 4/2007 Oldknow et al.
D541,362 S 4/2007 Oldknow
D542,872 S 5/2007 Oldknow

1 Claim, 4 Drawing Sheets



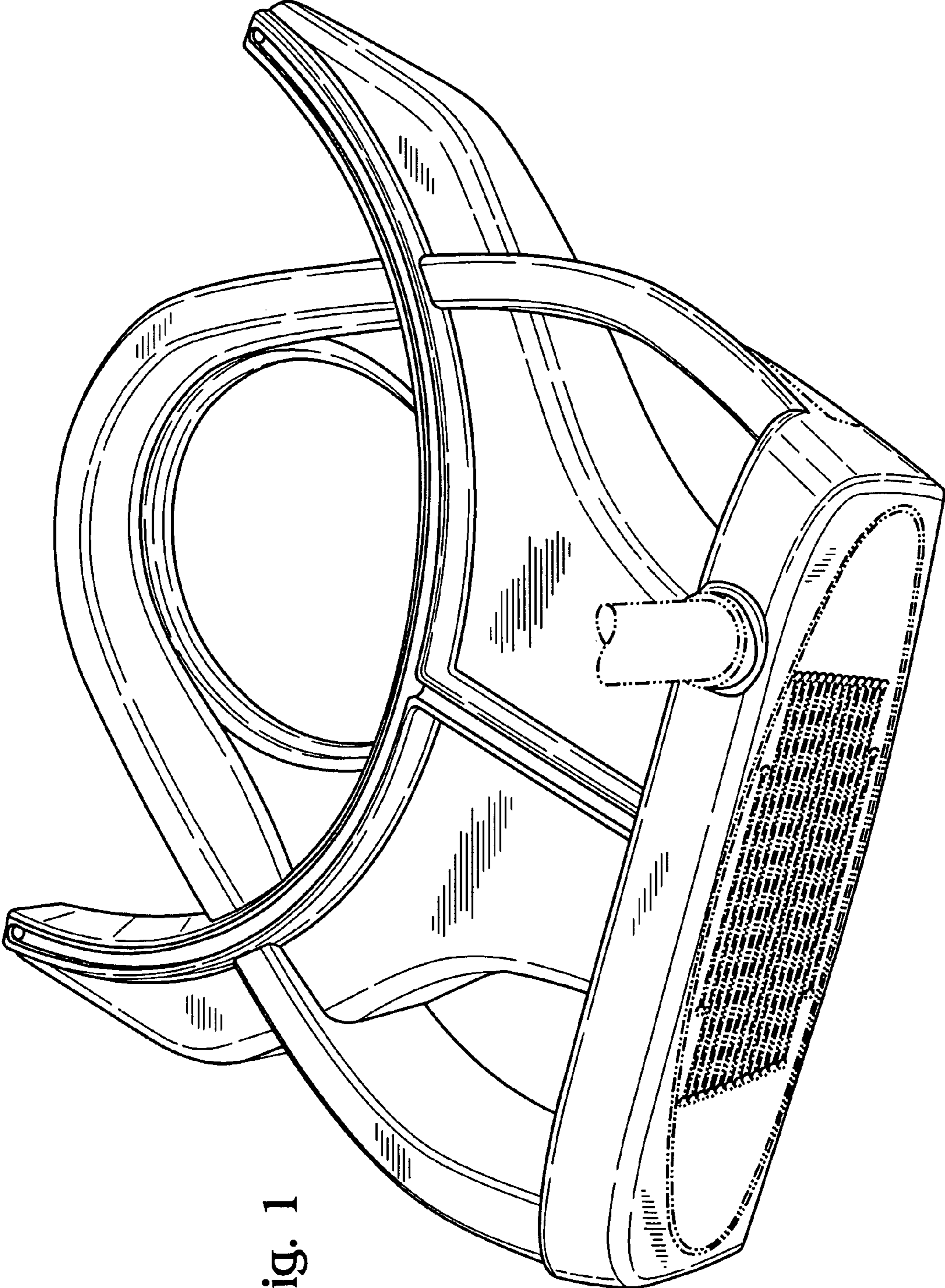


Fig. 1

Fig. 2

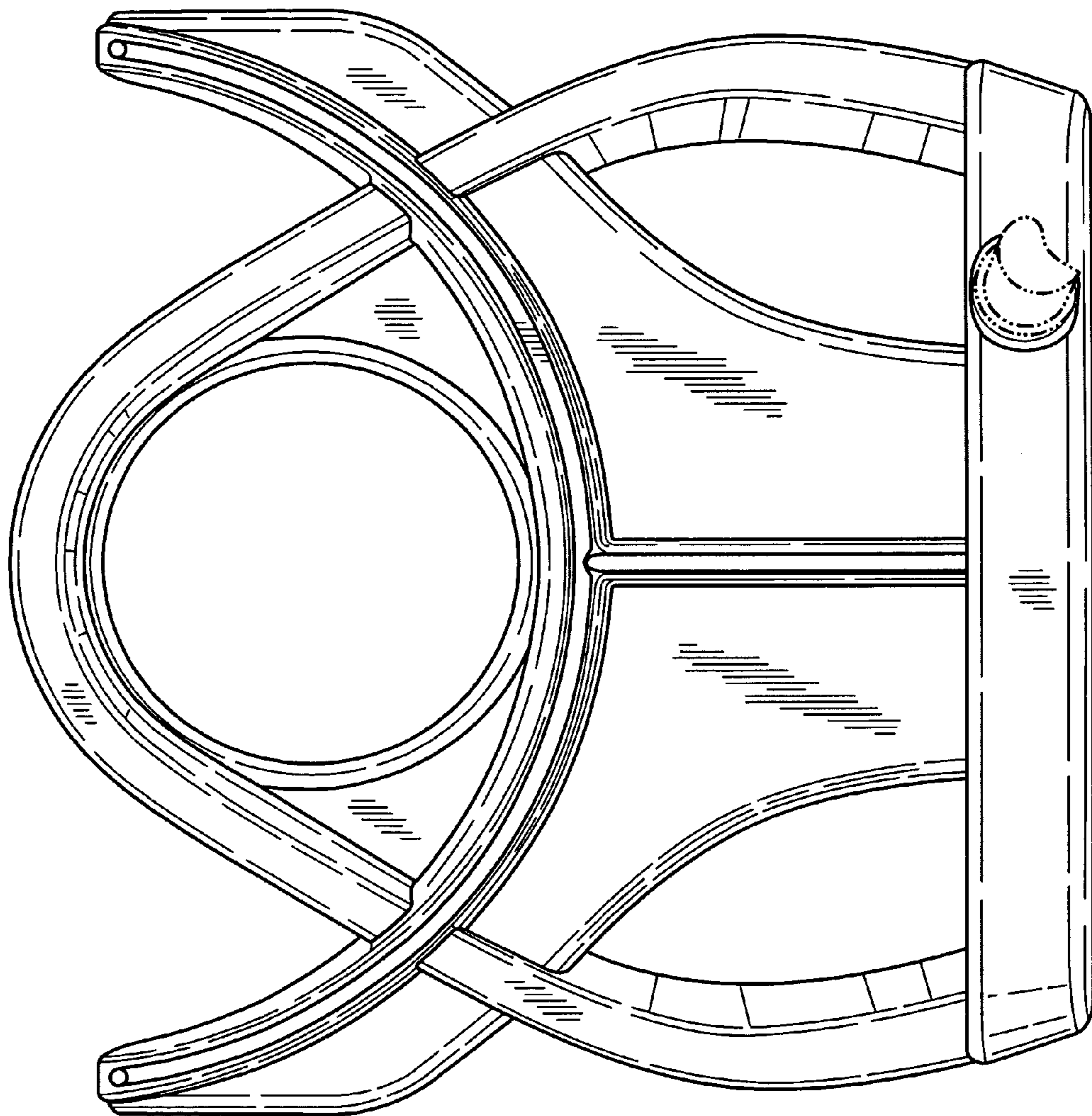


Fig. 3

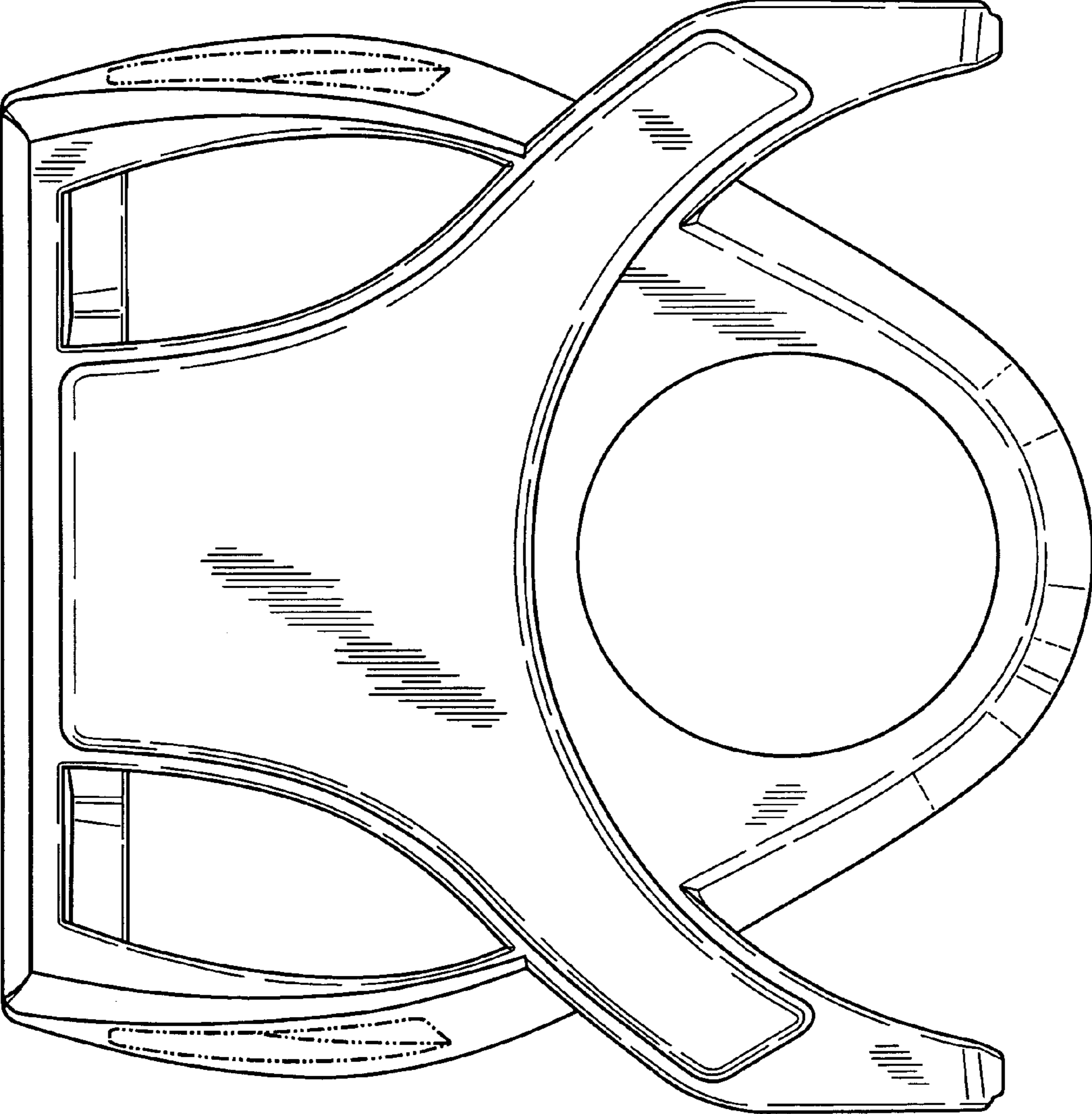


Fig. 4

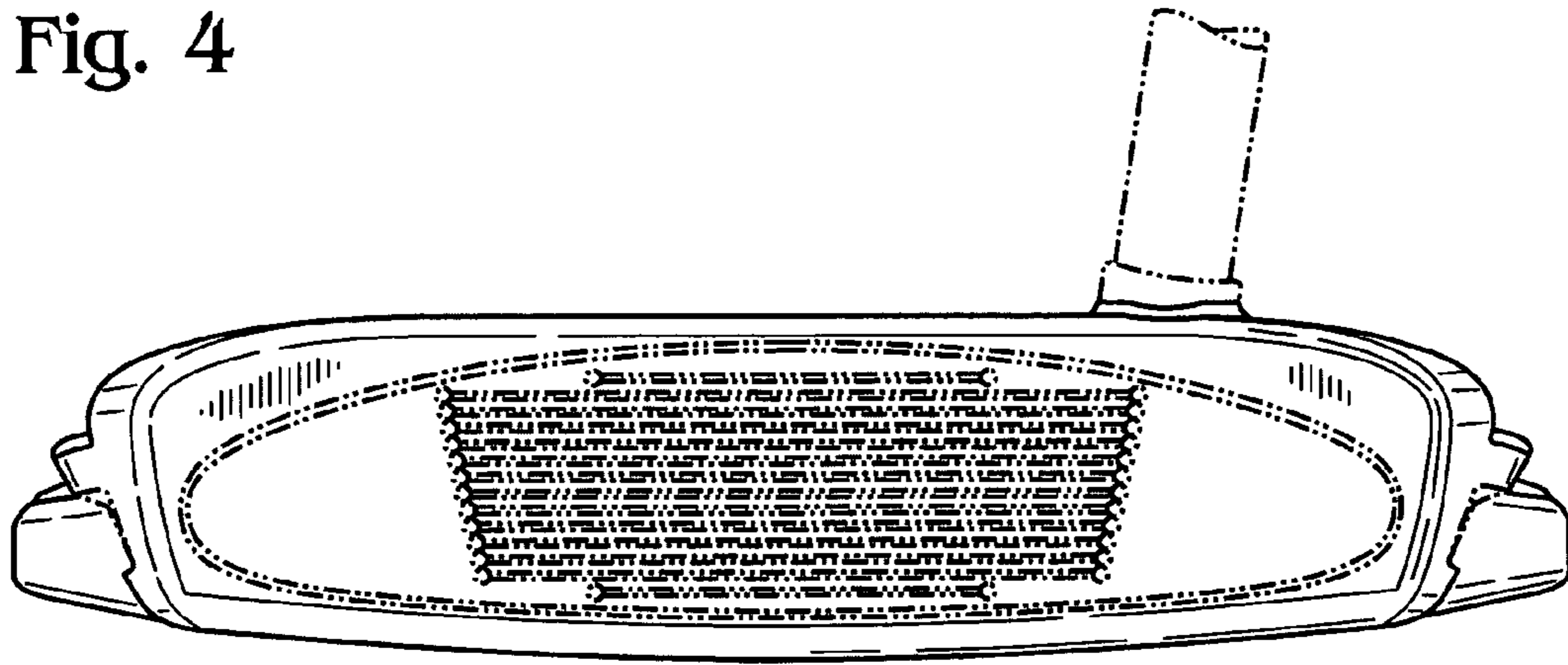


Fig. 5

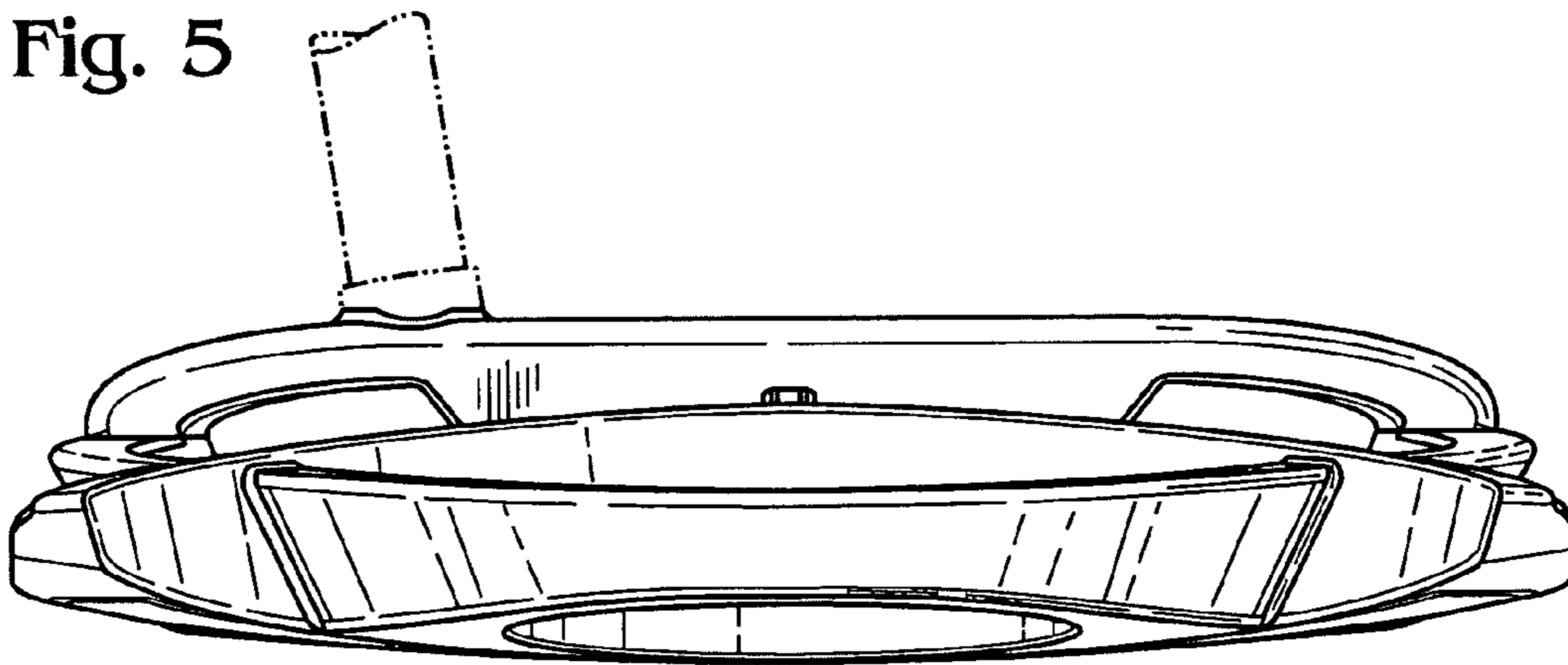


Fig. 6

