



US00D607951S

(12) **United States Design Patent**
Teramoto

(10) **Patent No.:** **US D607,951 S**
(45) **Date of Patent:** **** Jan. 12, 2010**

(54) **GOLF CLUB HEAD**

D565,138 S * 3/2008 Wilson D21/743

(75) Inventor: **Seiichiro Teramoto**, Yukuhashi (JP)

* cited by examiner

(73) Assignee: **ANEEGING SPORTS, Ltd.**,
Kitakyushu-shi, Fukuoka (JP)

Primary Examiner—Mitchell I Siegel
(74) *Attorney, Agent, or Firm*—Yokoi & Company USA, Inc.;
Peter Ganjian

(**) Term: **14 Years**

(21) Appl. No.: **29/334,362**

(57) **CLAIM**

(22) Filed: **Mar. 25, 2009**

The ornamental design for a golf club head, as shown and described.

(30) **Foreign Application Priority Data**

Oct. 10, 2008 (JP) 2008-026165

DESCRIPTION

(51) **LOC (9) Cl.** **21-02**

FIG. 1 shows a front view of a golf club head showing my new design;

(52) **U.S. Cl.** **D21/736**

FIG. 2 shows a rear view thereof;

(58) **Field of Classification Search** D21/736–746;
473/324–331, 340–341, 251–256

FIG. 3 shows a right side view thereof;

See application file for complete search history.

FIG. 4 shows a left side view thereof;

FIG. 5 shows a top view thereof;

(56) **References Cited**

U.S. PATENT DOCUMENTS

- D202,715 S * 11/1965 Solheim D21/743
- D248,783 S * 8/1978 Long D21/741
- 5,390,919 A * 2/1995 Stubbs et al. 473/246
- D366,081 S * 1/1996 Patten D21/743
- 5,489,097 A * 2/1996 Simmons 473/326
- D415,227 S * 10/1999 Heilker D21/743
- D417,711 S * 12/1999 Sery D21/744

FIG. 6 shows a bottom view thereof;

FIG. 7 shows a top, rear and left side perspective view thereof;

FIG. 8 shows a bottom, rear and right side perspective view thereof;

FIG. 9 shows a cross-sectional view thereof, taken along line 9–9 in FIG. 1; and,

FIG. 10 shows a cross-sectional view thereof, taken along line 10–10 in FIG. 6.

1 Claim, 5 Drawing Sheets

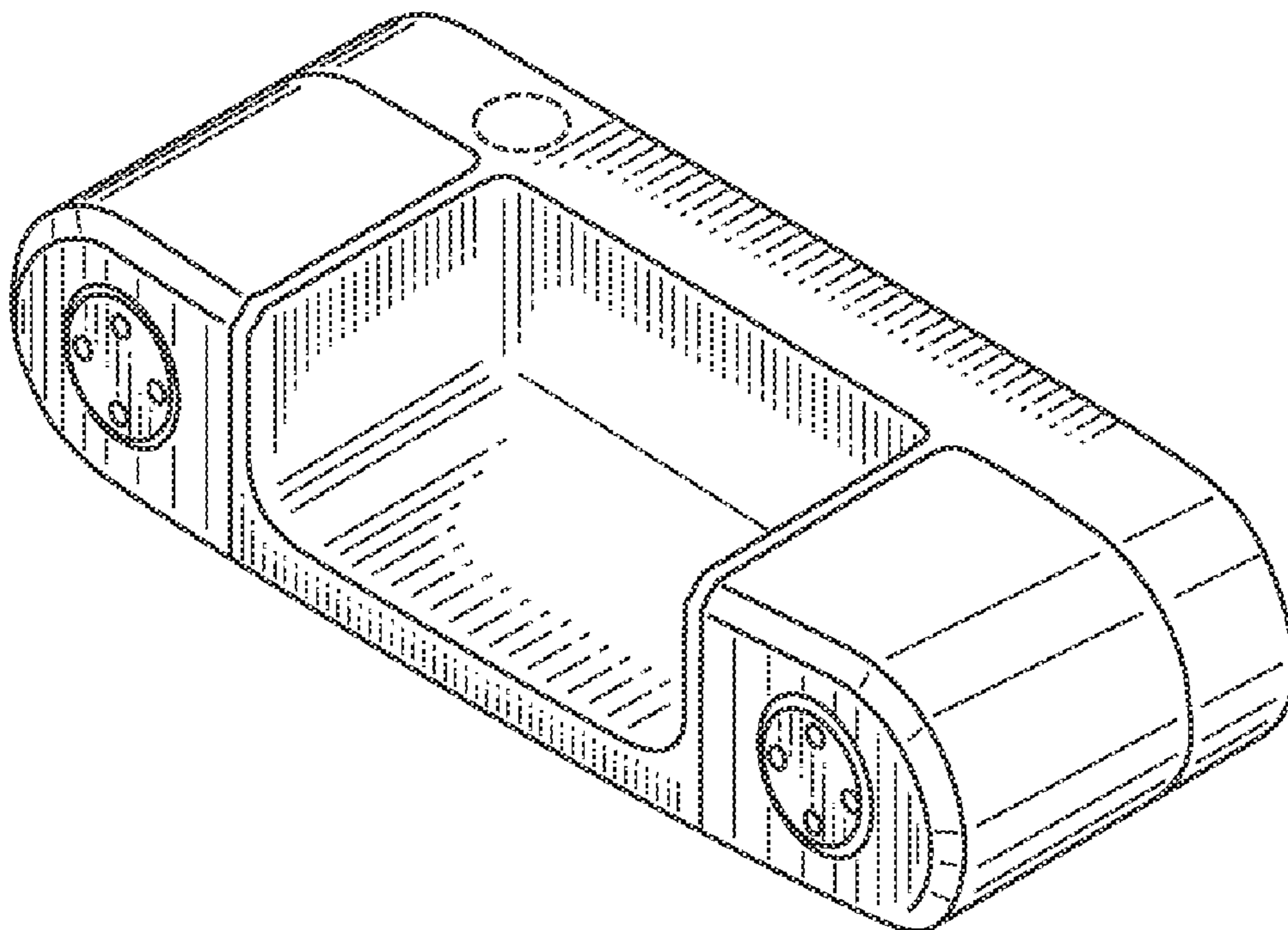
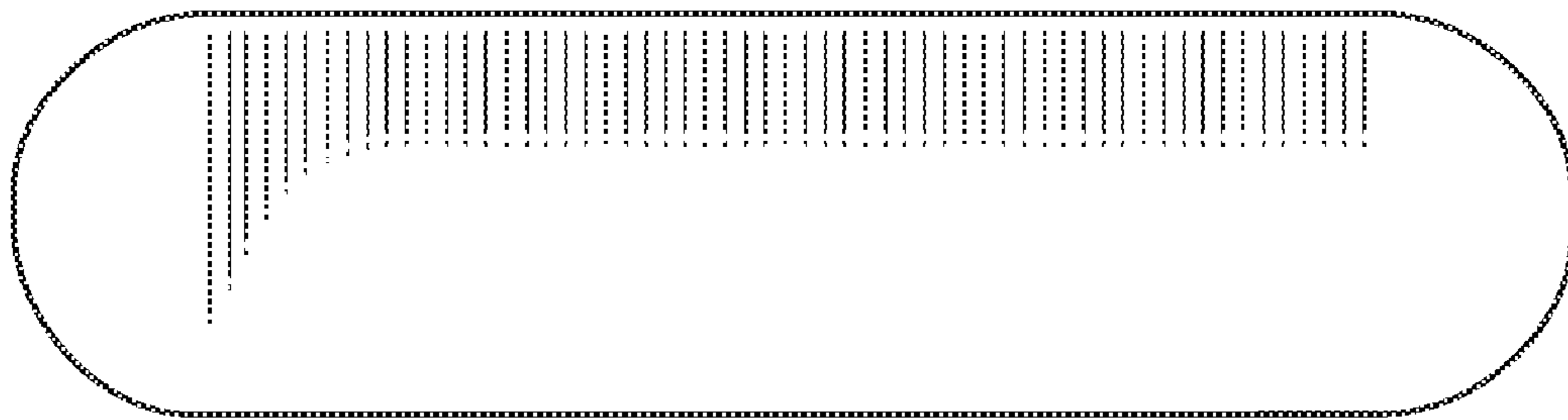


FIG. 1

9 ←



9 ←

FIG. 2

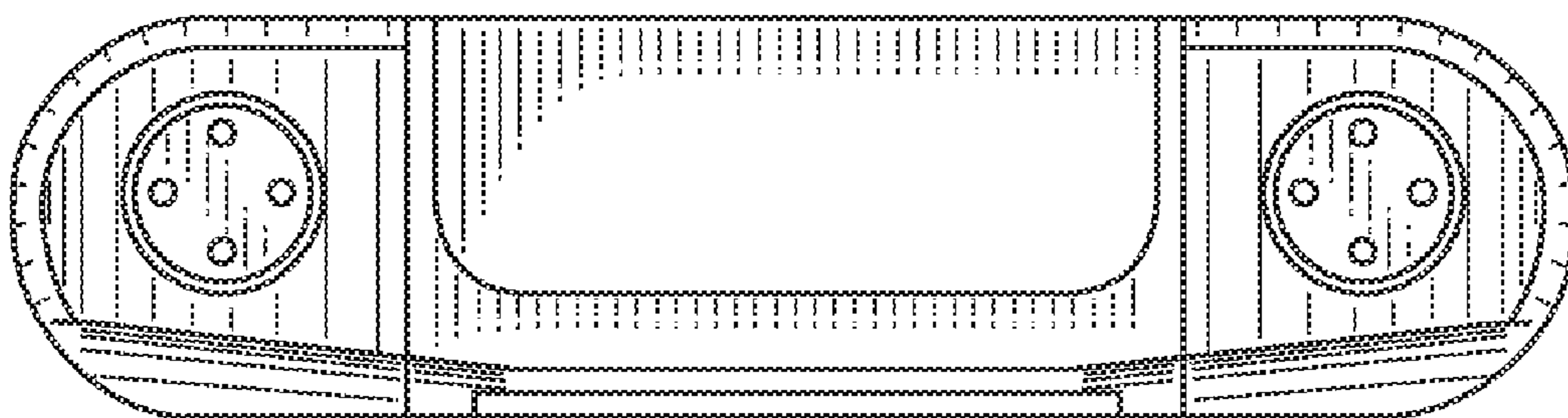


FIG. 3

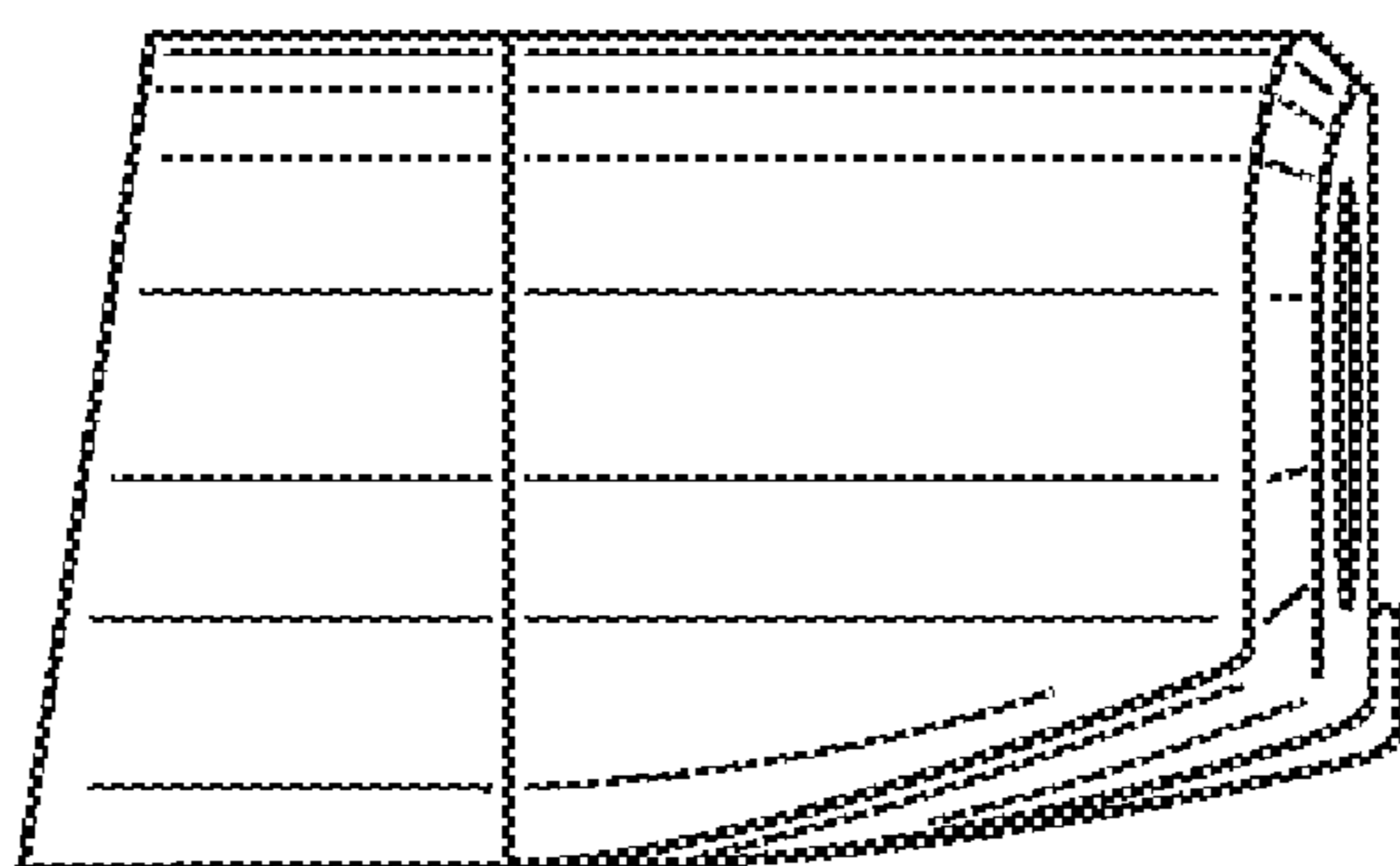


FIG. 4

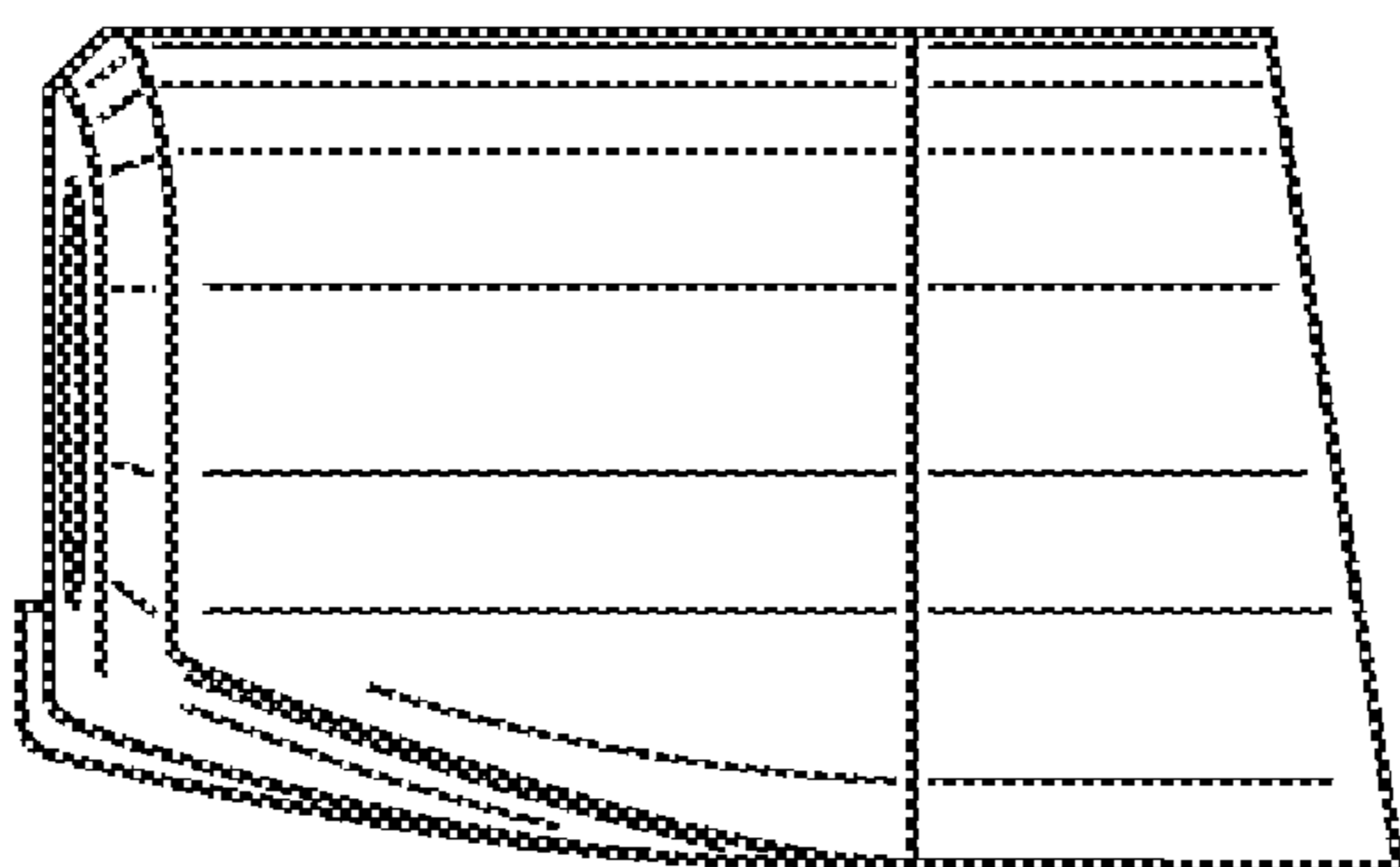


FIG. 5

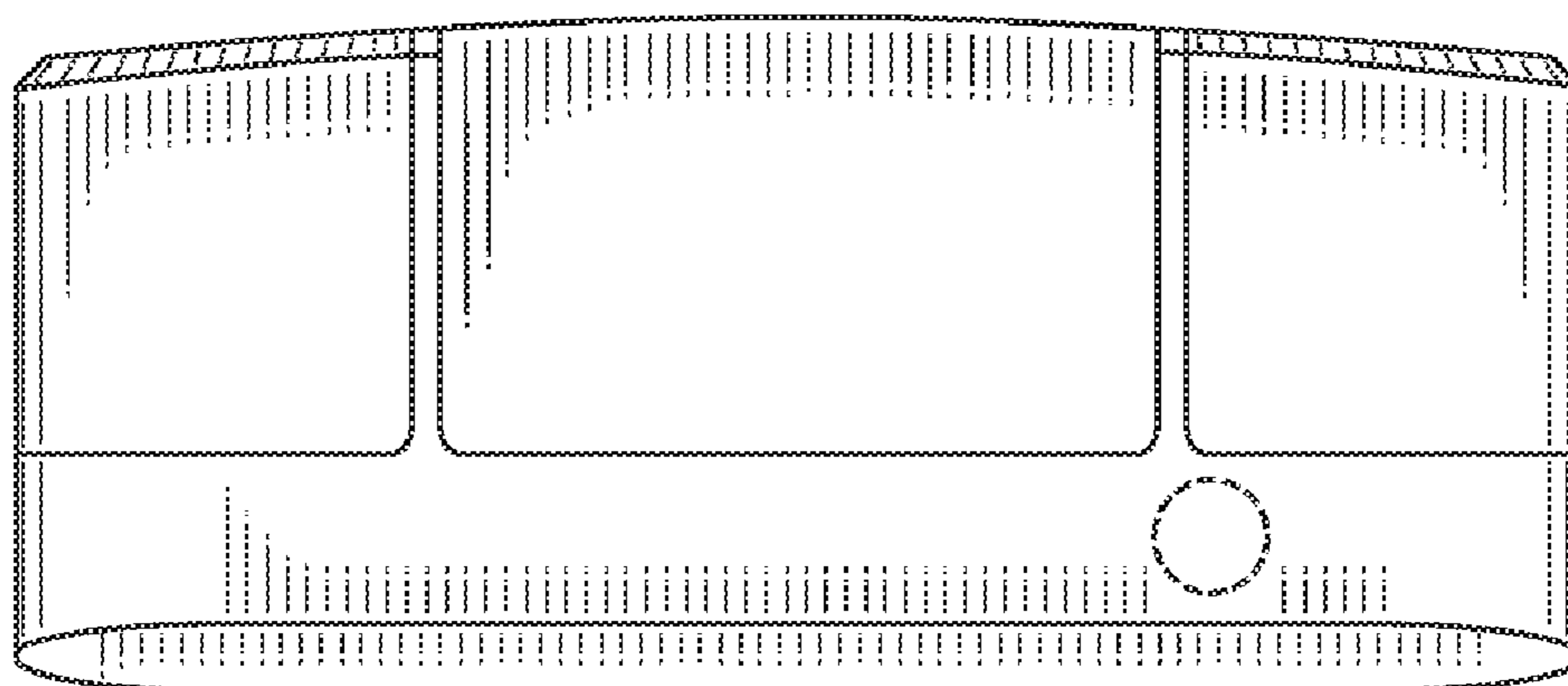


FIG. 6

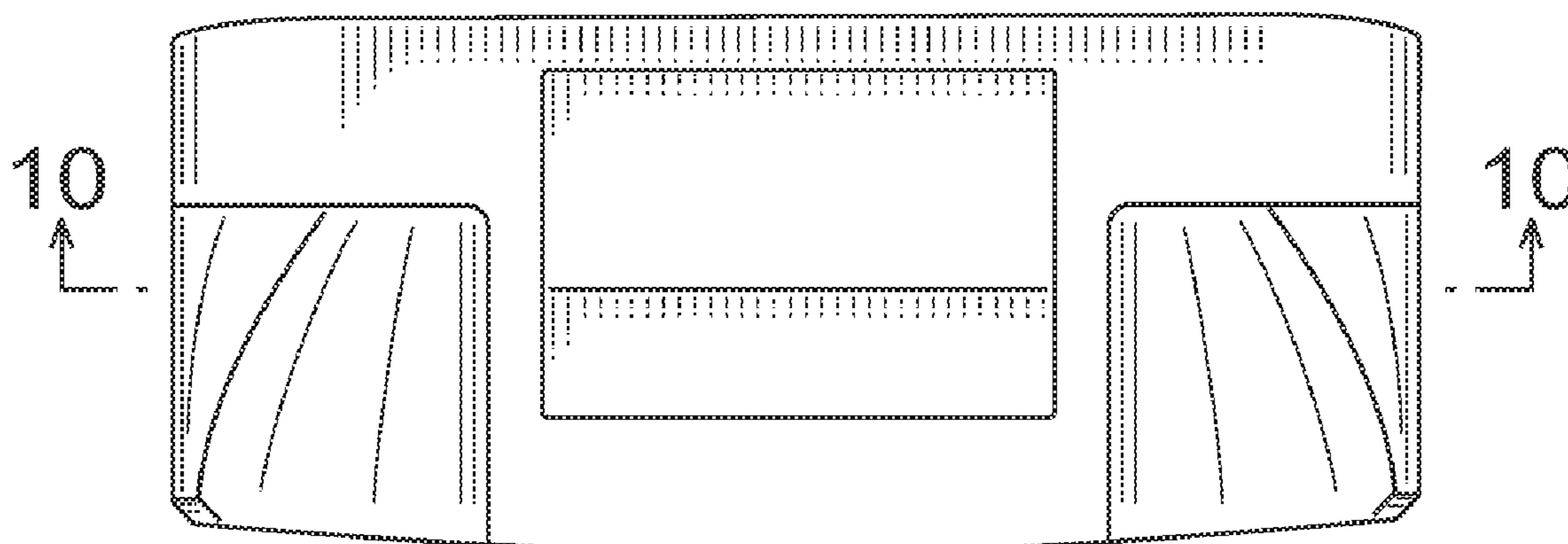


FIG. 7

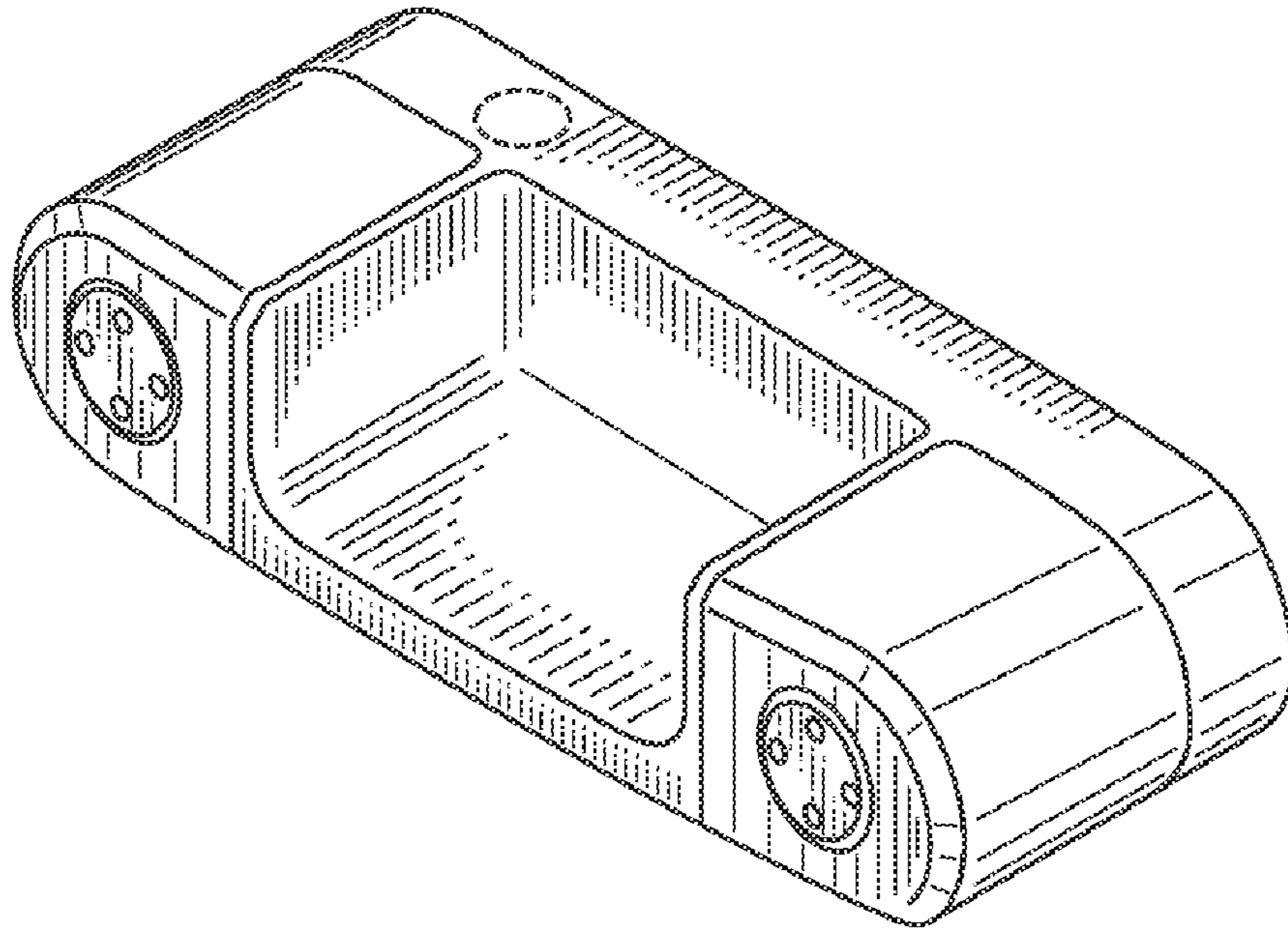


FIG. 8

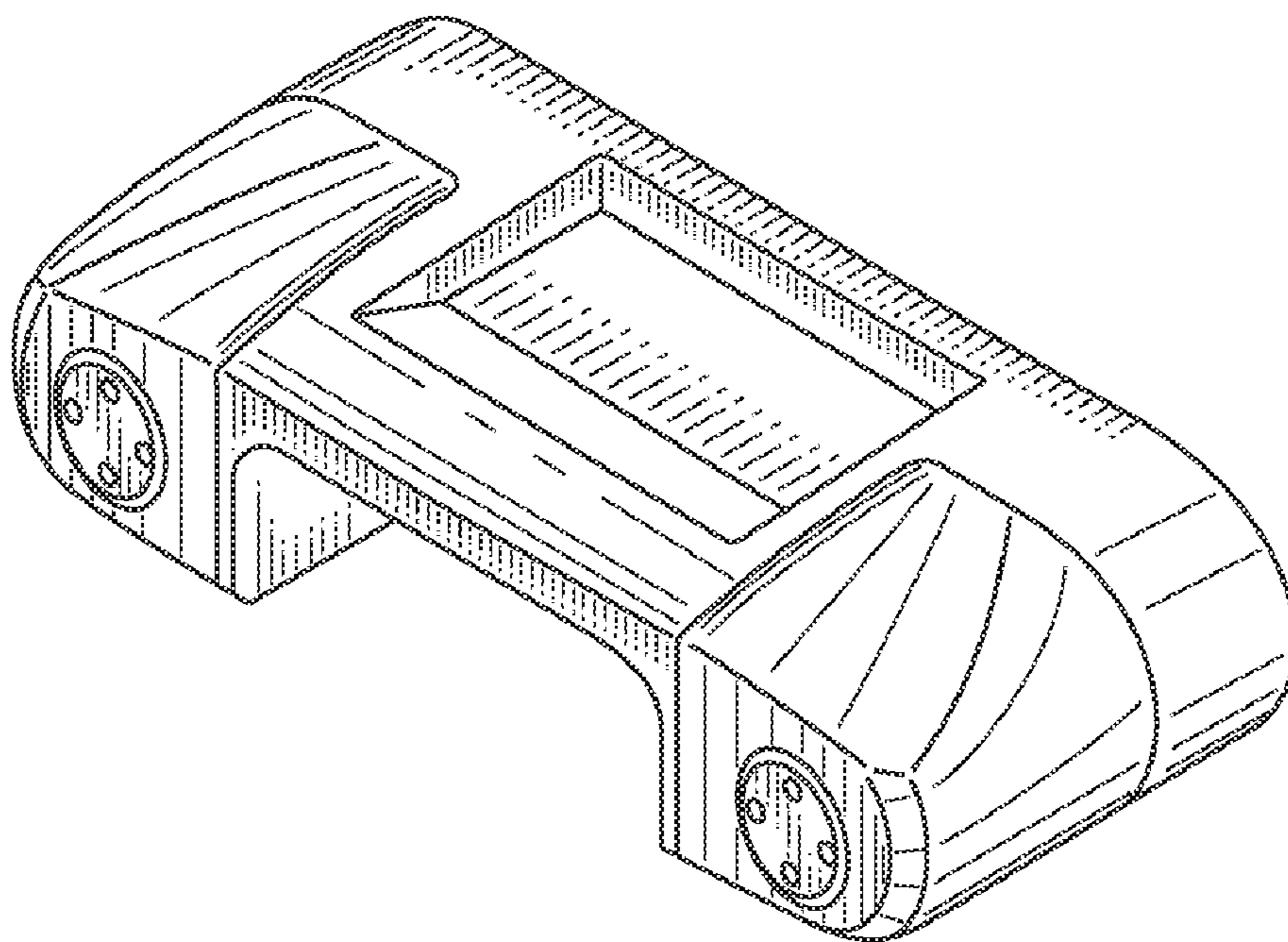


FIG. 9

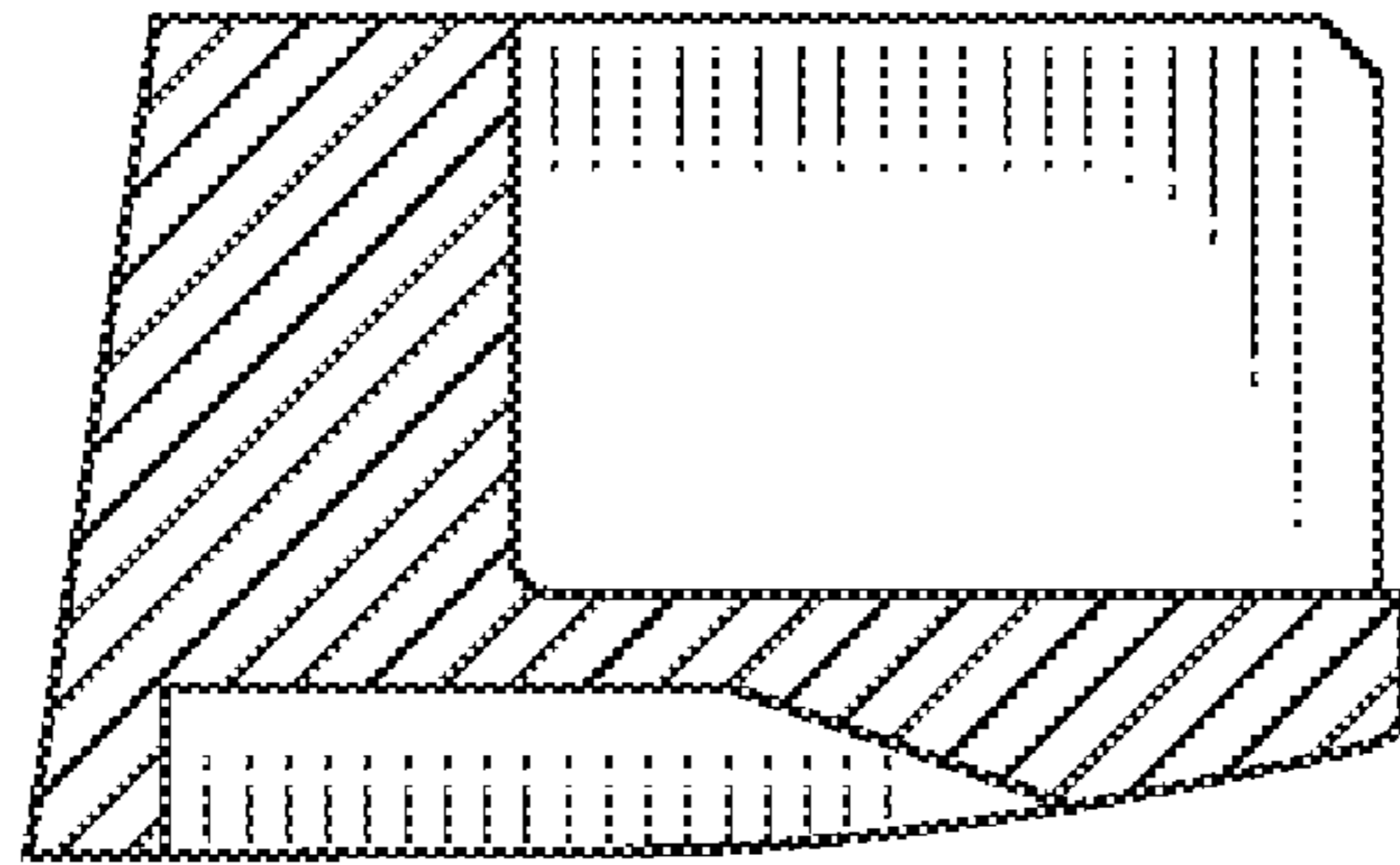


FIG. 10

