

US00D607950S

(12) **United States Design Patent**
Souza et al.

(10) **Patent No.:** **US D607,950 S**
(45) **Date of Patent:** **** Jan. 12, 2010**

(54) **GOLF CLUB HEAD**

(75) Inventors: **John C. Souza**, Phoenix, AZ (US); **Jake P. Fife**, Phoenix, AZ (US)

(73) Assignee: **Karsten Manufacturing Corporation**, Phoenix, AZ (US)

(**) Term: **14 Years**

(21) Appl. No.: **29/333,361**

(22) Filed: **Mar. 6, 2009**

(51) **LOC (9) Cl.** **21-02**

(52) **U.S. Cl.** **D21/736**

(58) **Field of Classification Search** D21/736-746;
473/324-331, 340-341

See application file for complete search history.

(56) **References Cited**

U.S. PATENT DOCUMENTS

D257,869	S	*	1/1981	MacDougall	D21/739
D257,870	S	*	1/1981	MacDougall	D21/739
D268,691	S	*	4/1983	Collins	D21/739
D388,853	S	*	1/1998	Minami	D21/745
D402,724	S	*	12/1998	Minami	D21/743
D488,526	S		4/2004	Souza et al.		
6,837,801	B1		1/2005	Souza et al.		
6,893,355	B2		5/2005	Souza et al.		
D507,612	S		7/2005	Souza et al.		
6,926,615	B1		8/2005	Souza et al.		
D521,582	S		5/2006	Souza et al.		
D564,053	S	*	3/2008	Blankenship	D21/736

D568,427	S	*	5/2008	Nguyen et al.	D21/743
D572,325	S	*	7/2008	Baer	D21/746
D584,780	S	*	1/2009	Ines et al.	D21/746
D585,510	S	*	1/2009	Murrieta	D21/736
D586,413	S	*	2/2009	D'Eath	D21/735

* cited by examiner

Primary Examiner—Mitchell I Siegel

(57) **CLAIM**

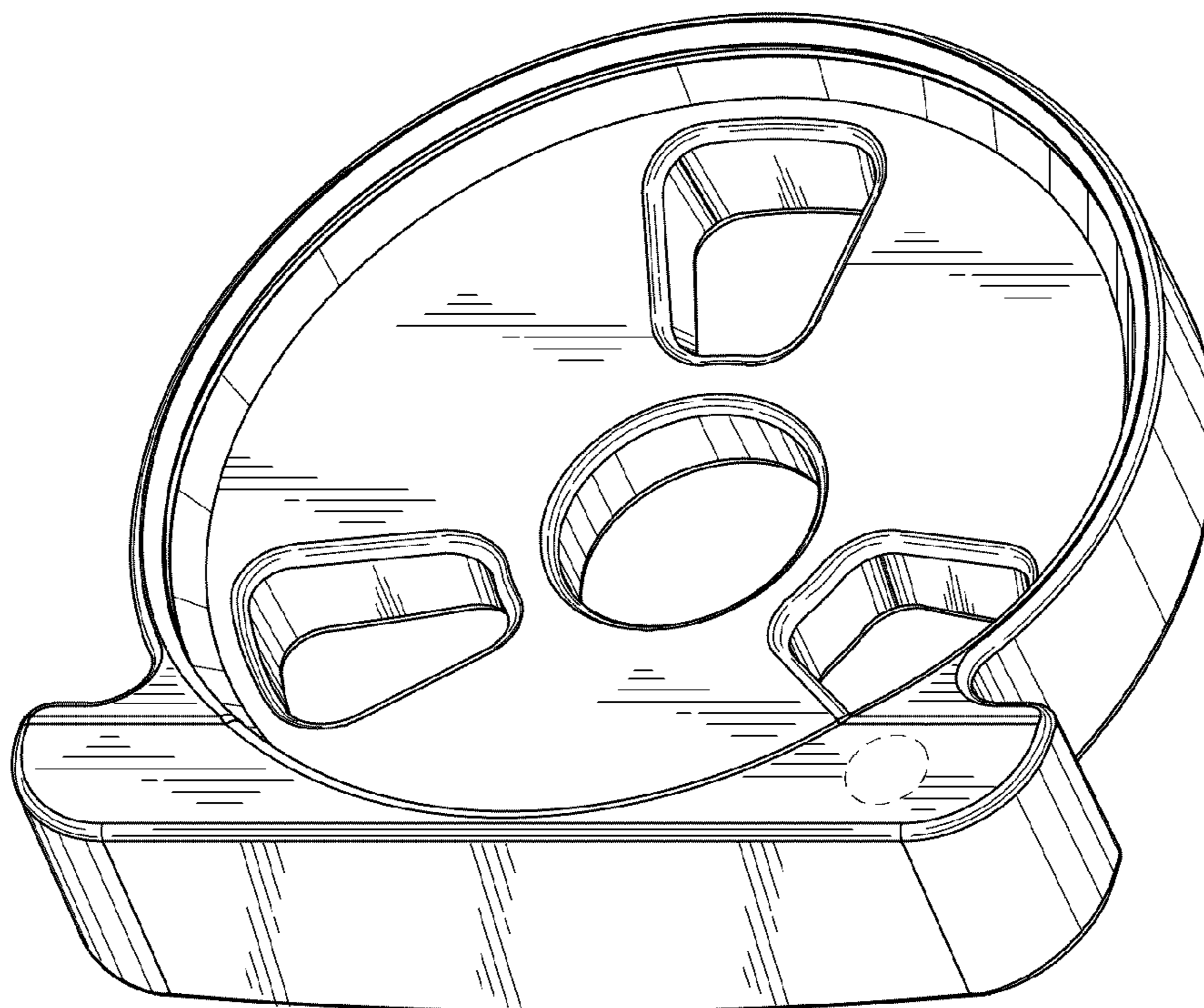
The ornamental design for a golf club head, as shown and described.

DESCRIPTION

FIG. 1 is a top perspective view of the golf club head;
 FIG. 2 is a bottom perspective view of the golf club head of FIG. 1;
 FIG. 3 is a front elevational view of the golf club head of FIG. 1;
 FIG. 4 is a rear elevational view of the golf club head of FIG. 1;
 FIG. 5 is a top view of the golf club head of FIG. 1;
 FIG. 6 is a bottom view of the golf club head of FIG. 1;
 FIG. 7 is a right view of the golf club head of FIG. 1; and,
 FIG. 8 is a left view of the golf club head of FIG. 1.

The broken lines shown in one or more of the figures are for illustrative purposes only and form no part of the claimed design.

1 Claim, 4 Drawing Sheets



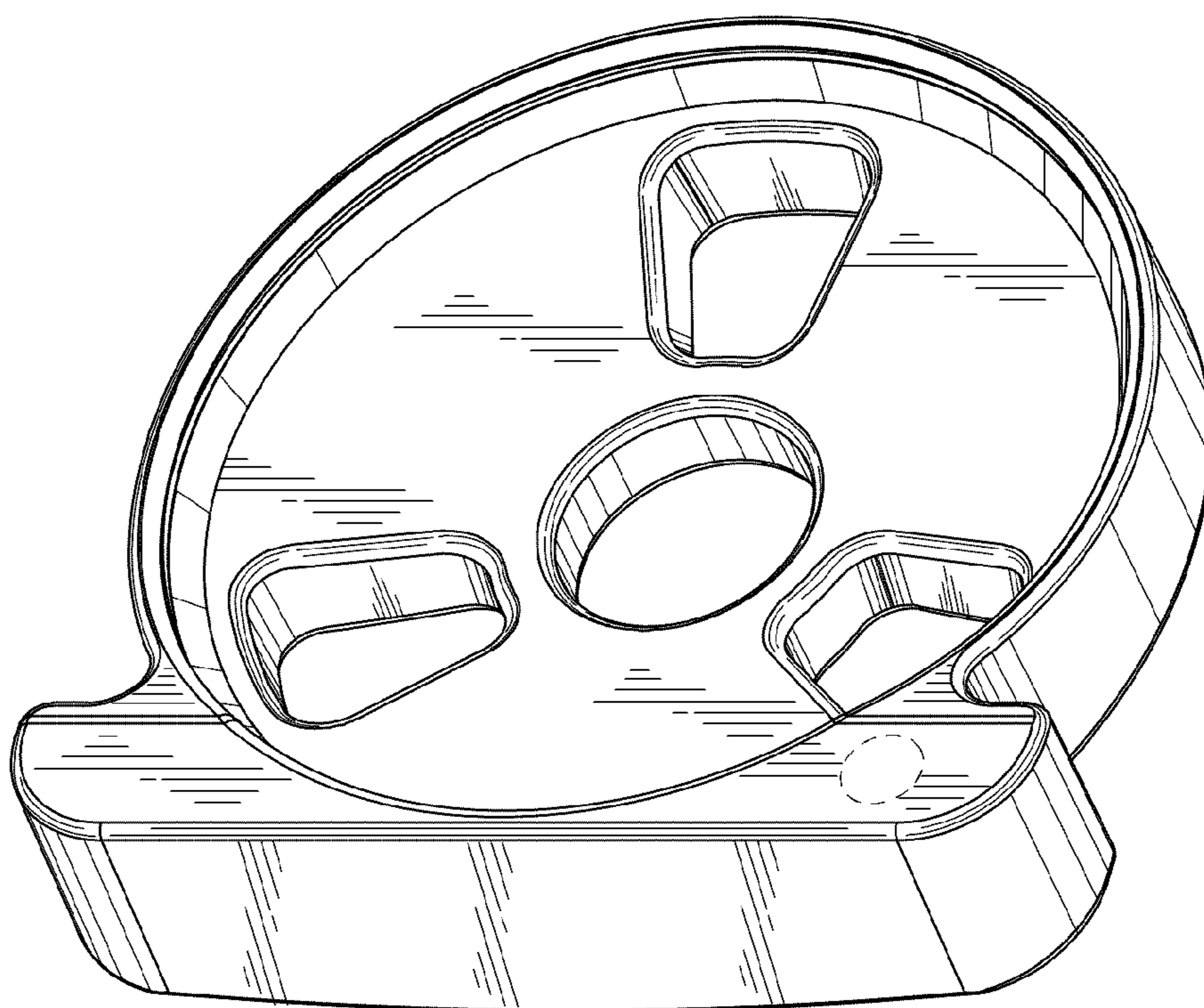


FIG. 1

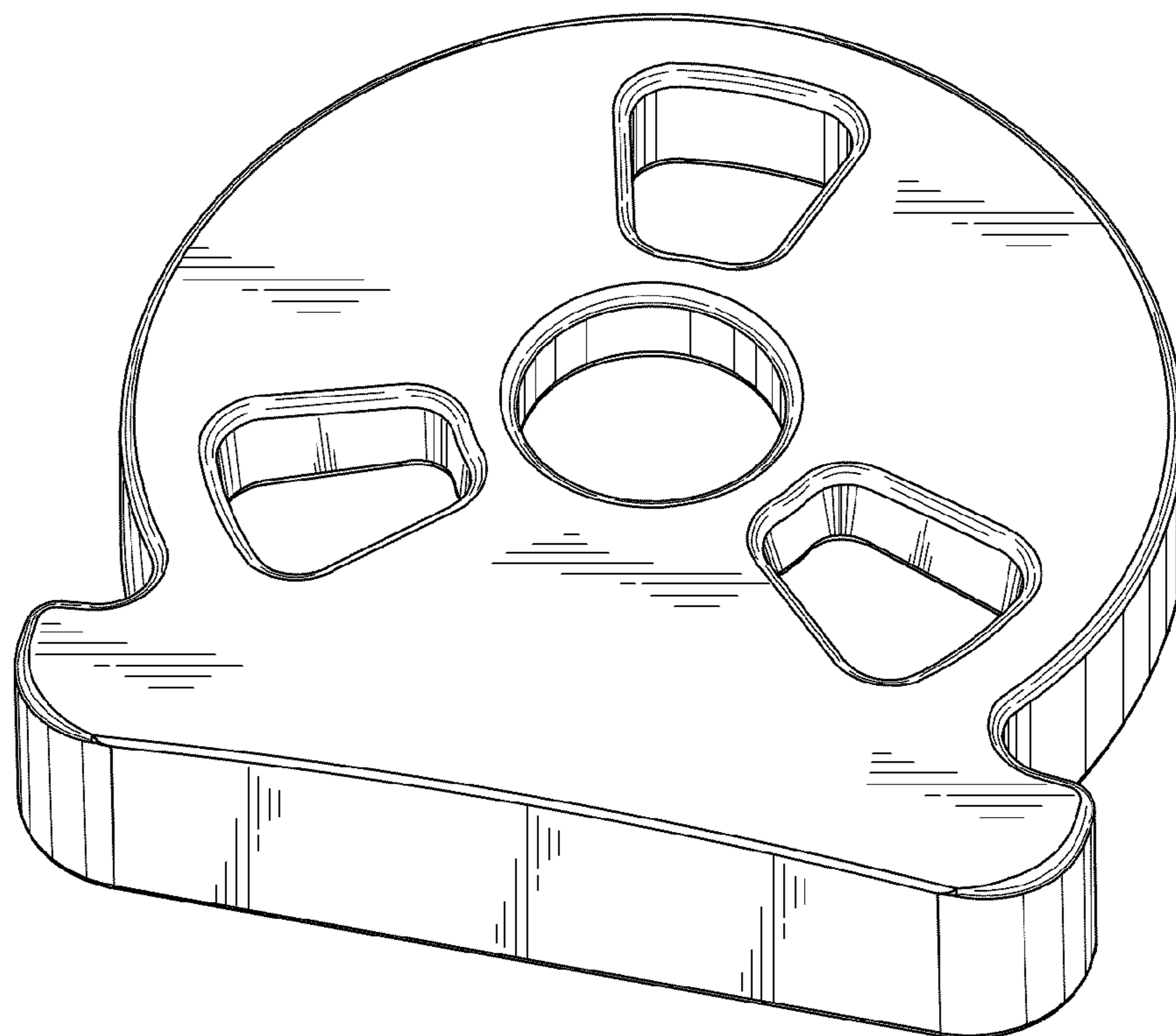


FIG. 2

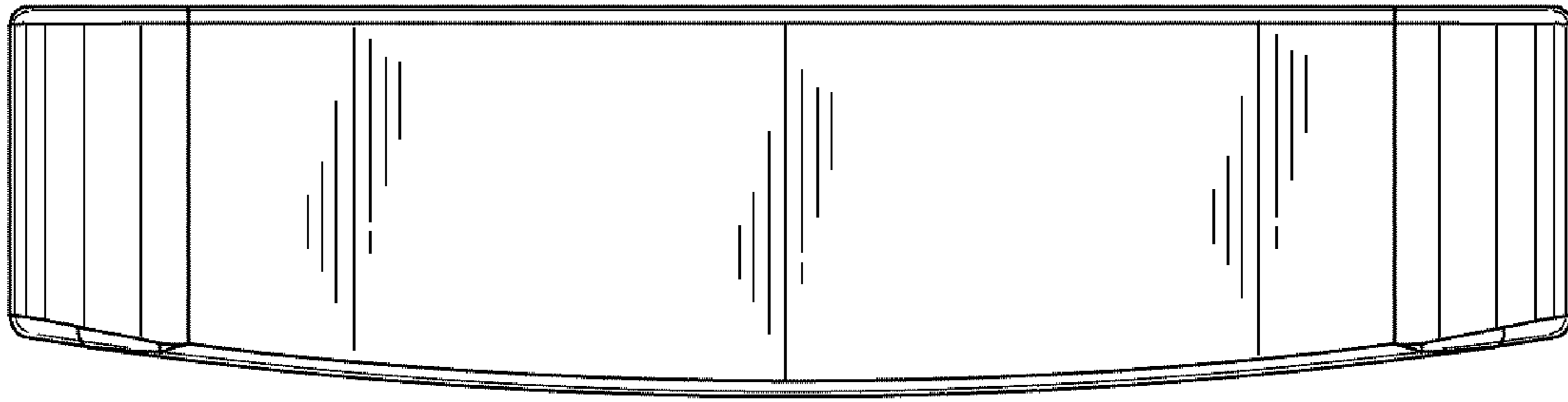


FIG. 3

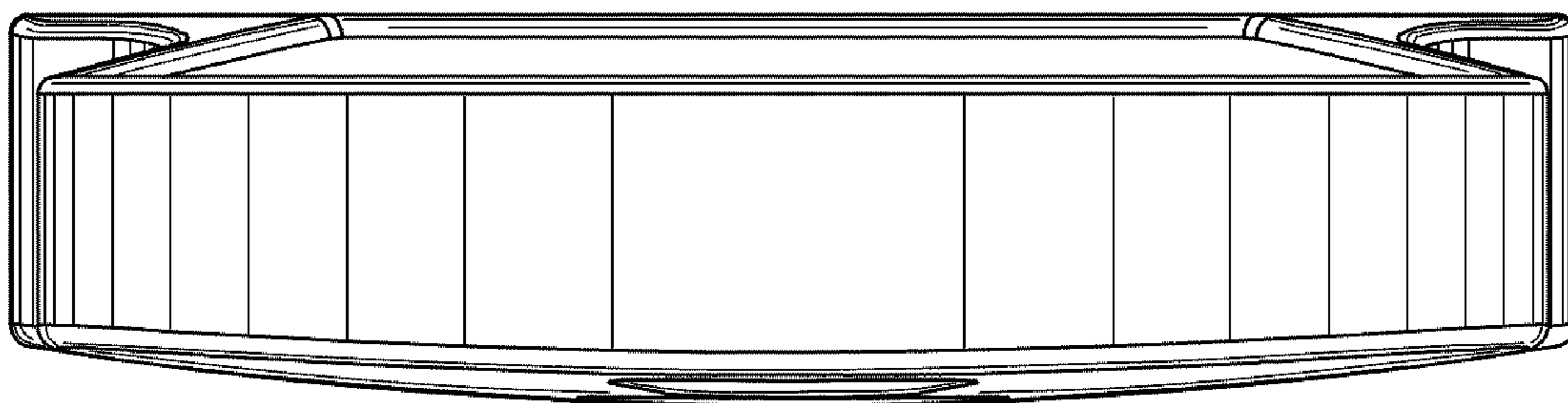


FIG. 4

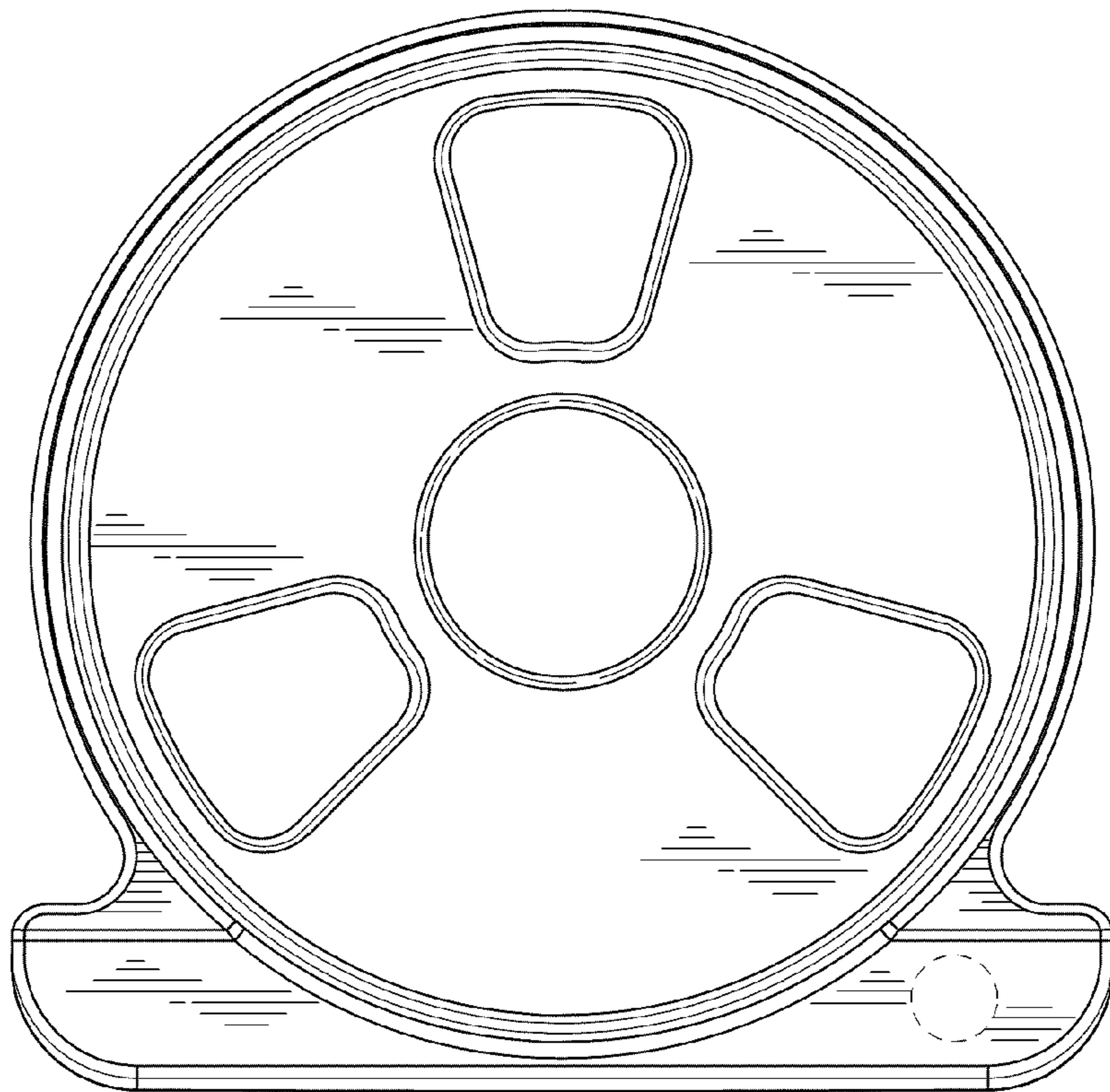


FIG. 5

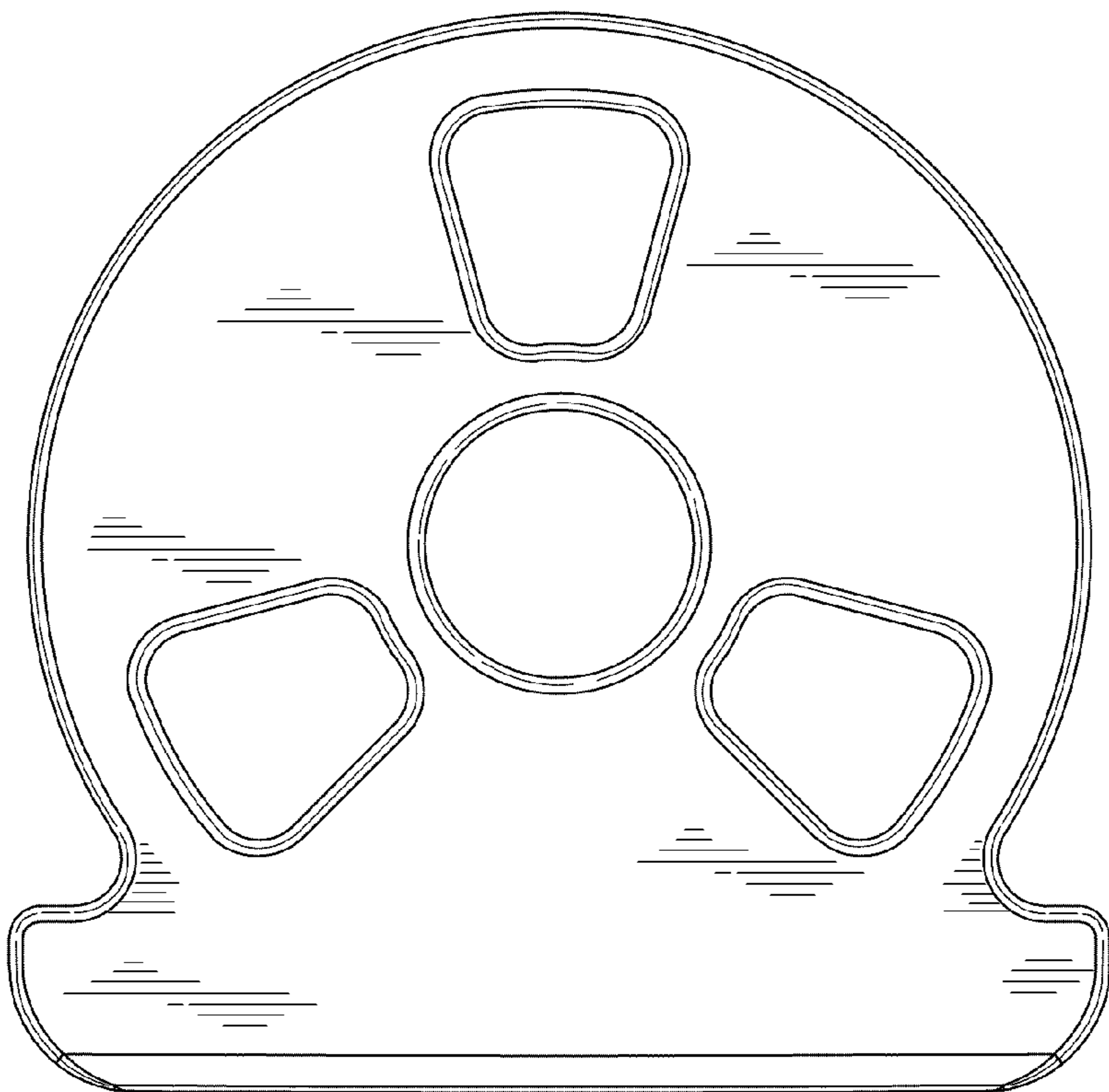


FIG. 6

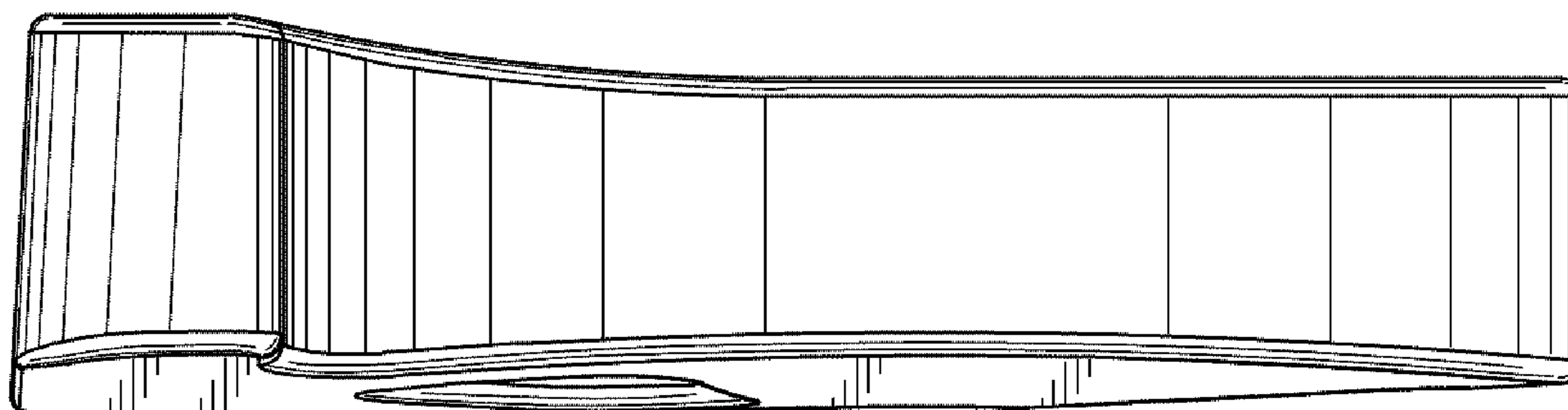


FIG. 7

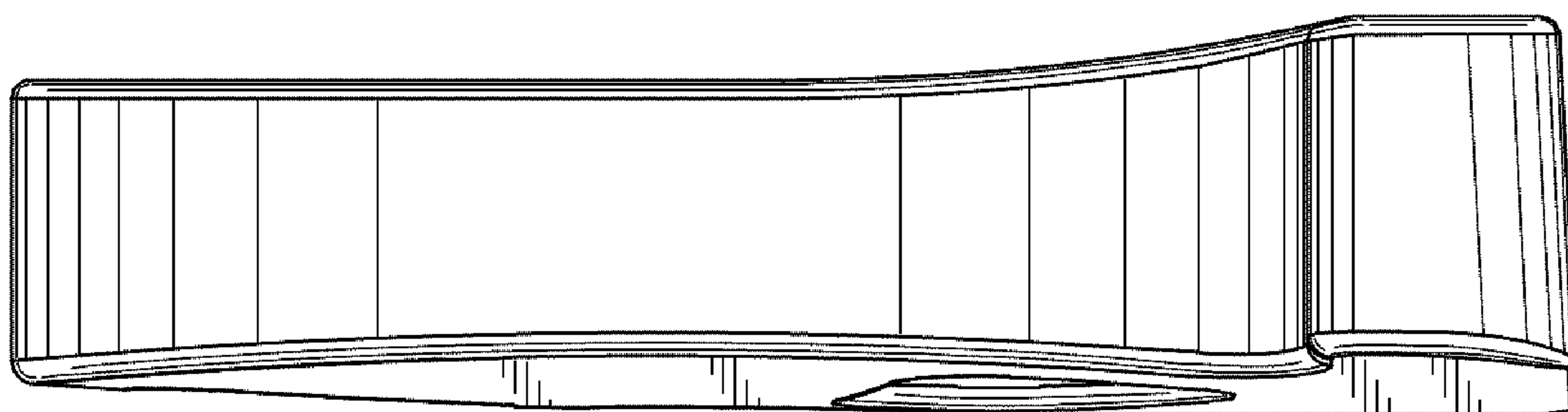


FIG. 8