



US00D607948S

(12) **United States Design Patent**  
**de Viveiros Ortiz**

(10) **Patent No.:** **US D607,948 S**

(45) **Date of Patent:** **\*\* Jan. 12, 2010**

(54) **GAMING STATION**

(75) Inventor: **Johnny de Viveiros Ortiz**, Escaldes Engordany (AD)

(73) Assignee: **Zitro IP, S.ar.l.**, Luxembourg (LU)

(\*\*) Term: **14 Years**

(21) Appl. No.: **29/323,991**

(22) Filed: **Sep. 4, 2008**

(30) **Foreign Application Priority Data**

Mar. 5, 2008 (EM) ..... 000891965

(51) **LOC (9) Cl.** ..... **21-03**

(52) **U.S. Cl.** ..... **D21/369**; D14/307; D21/329

(58) **Field of Classification Search** ..... D6/402,  
D6/406.1, 430, 486; D14/304-307; D21/324-329;  
273/138.1; 463/13, 16, 20, 22, 46-47  
See application file for complete search history.

(56) **References Cited**

**U.S. PATENT DOCUMENTS**

D452,391 S \* 12/2001 Efron et al. .... D14/305

D533,176 S \* 12/2006 Becker et al. .... D14/307  
D566,196 S \* 4/2008 Morrow et al. .... D21/329

\* cited by examiner

*Primary Examiner*—Sandra Morris

(74) *Attorney, Agent, or Firm*—Shoemaker and Mattare

(57) **CLAIM**

The ornamental design for a gaming station, as shown and described.

**DESCRIPTION**

FIG. 1 is a perspective view of a gaming station, showing my new design from the front, left side and above;

FIG. 2 is a rear elevational view thereof;

FIG. 3 is a perspective view thereof from the left side and front;

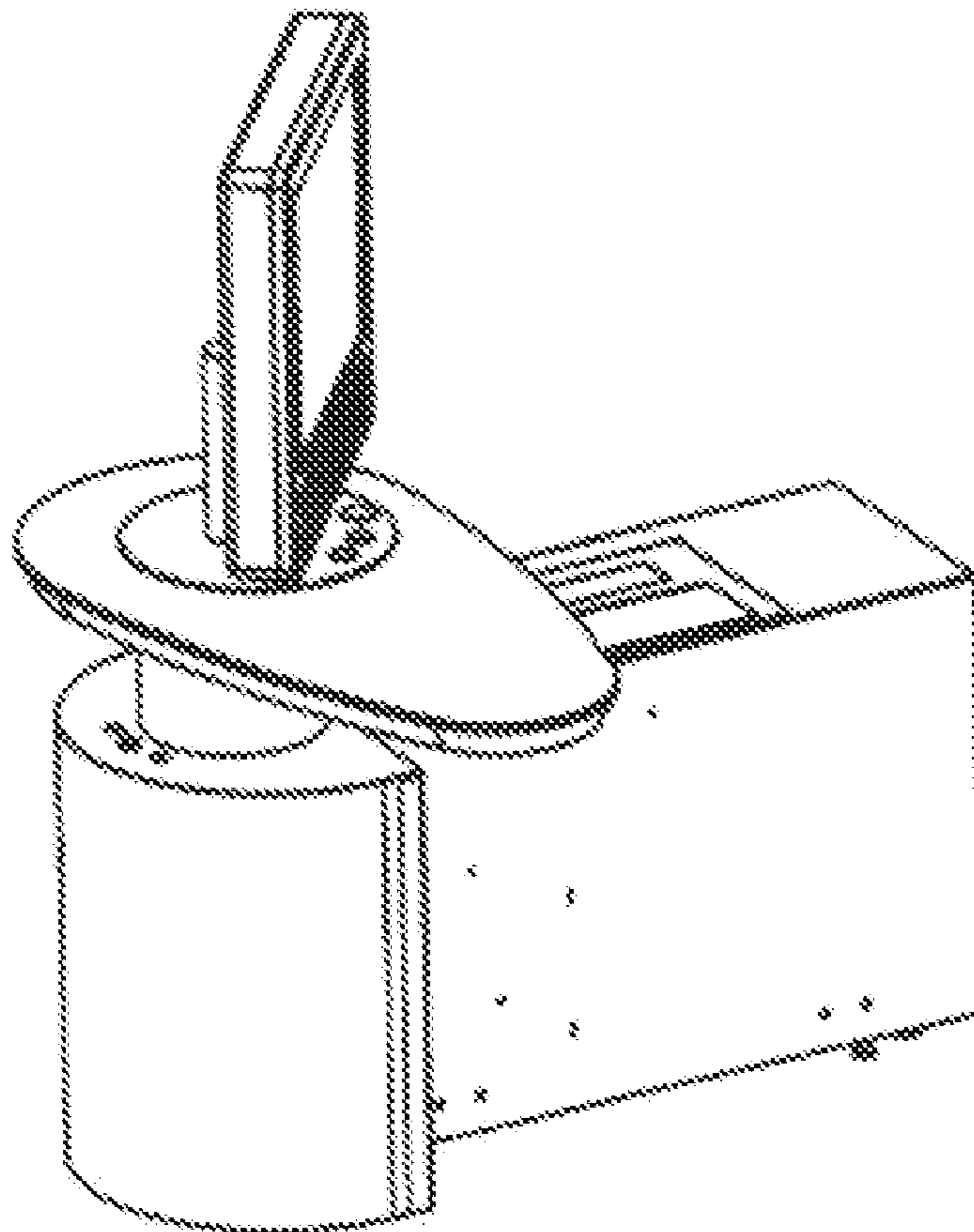
FIG. 4 is a front elevational view thereof;

FIG. 5 is a left side elevational view thereof; and,

FIG. 6 is a top plan view thereof.

Details of the bottom of the gaming station form no part of the claimed design.

**1 Claim, 2 Drawing Sheets**



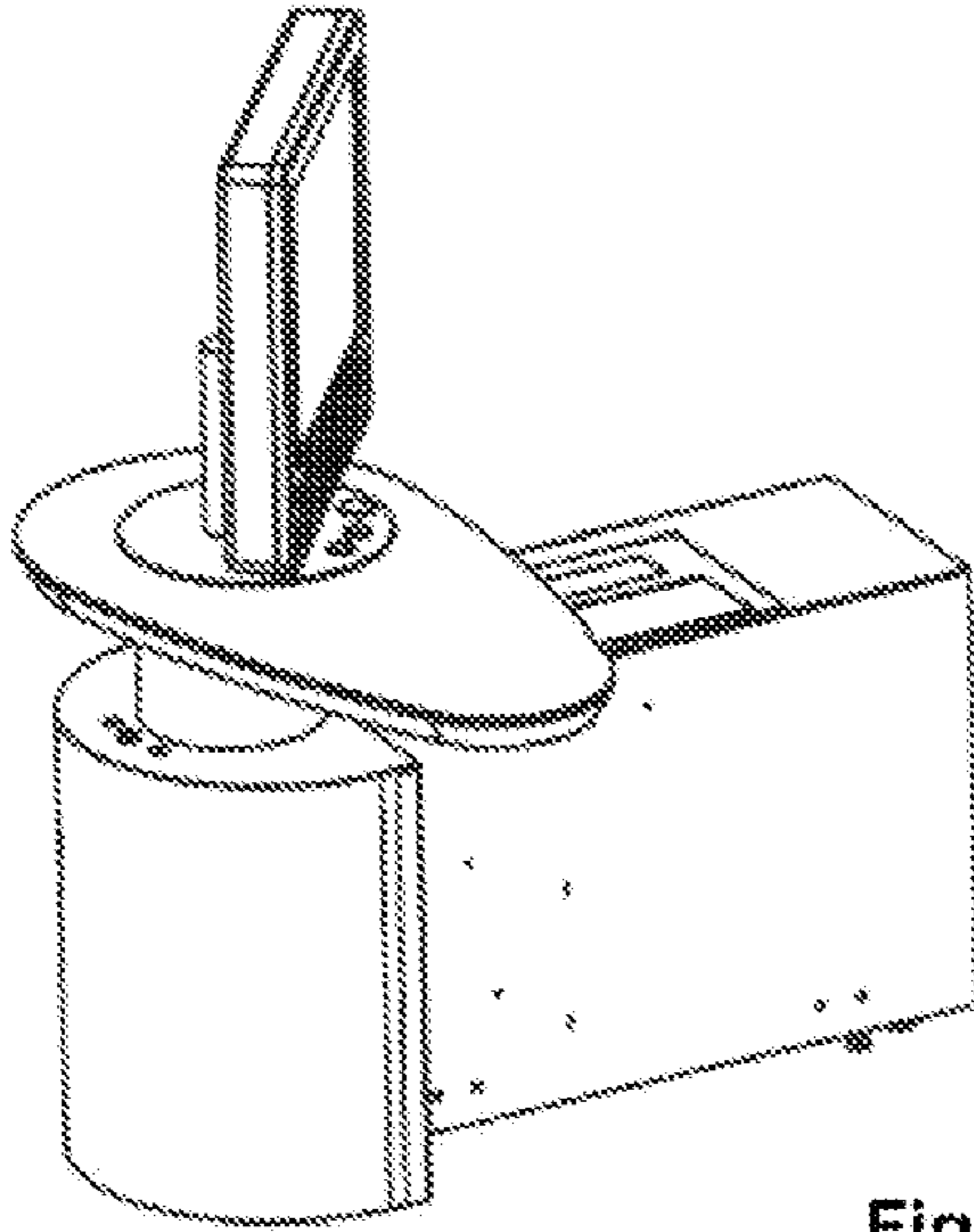


Fig. 1

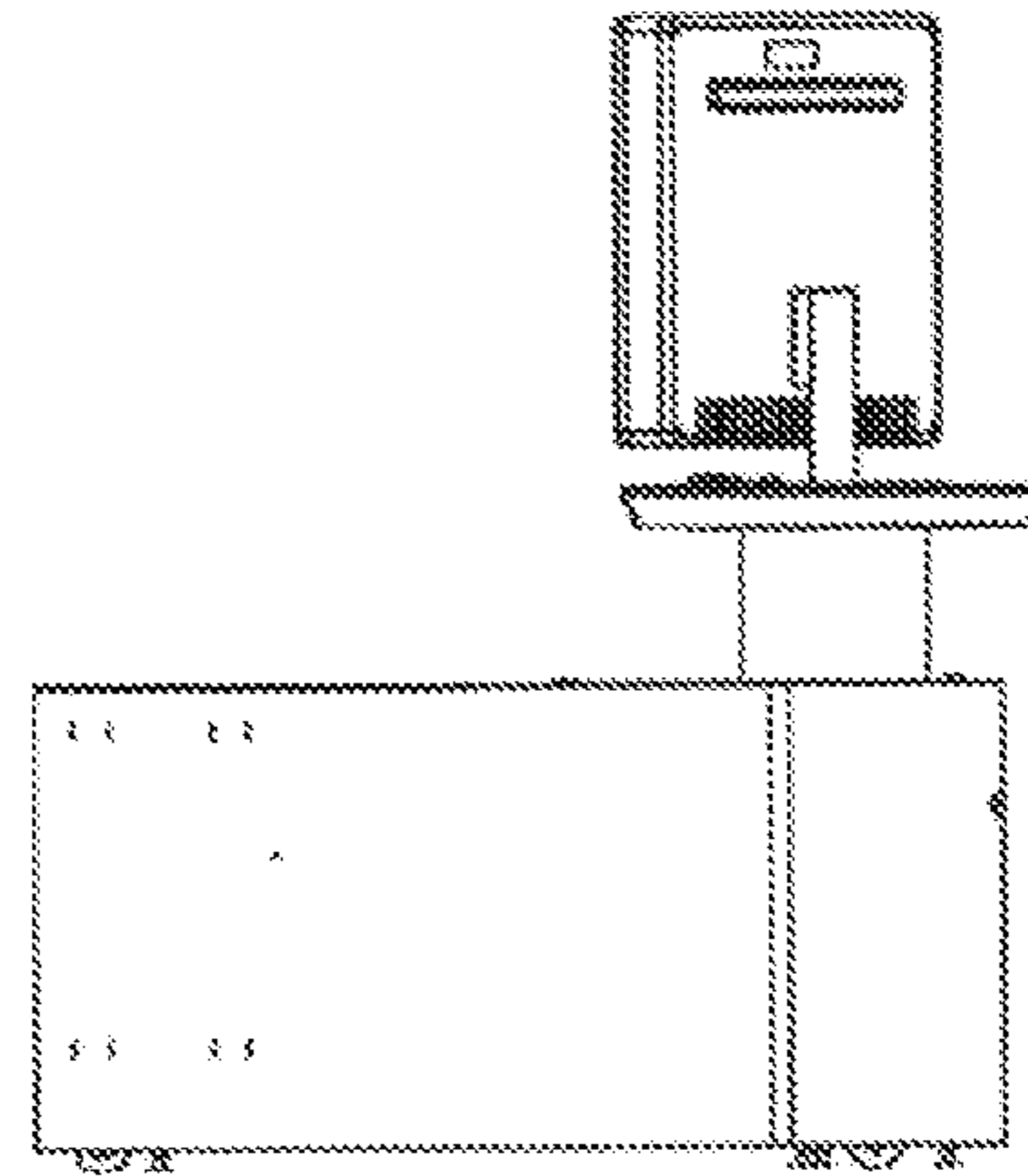


Fig. 2

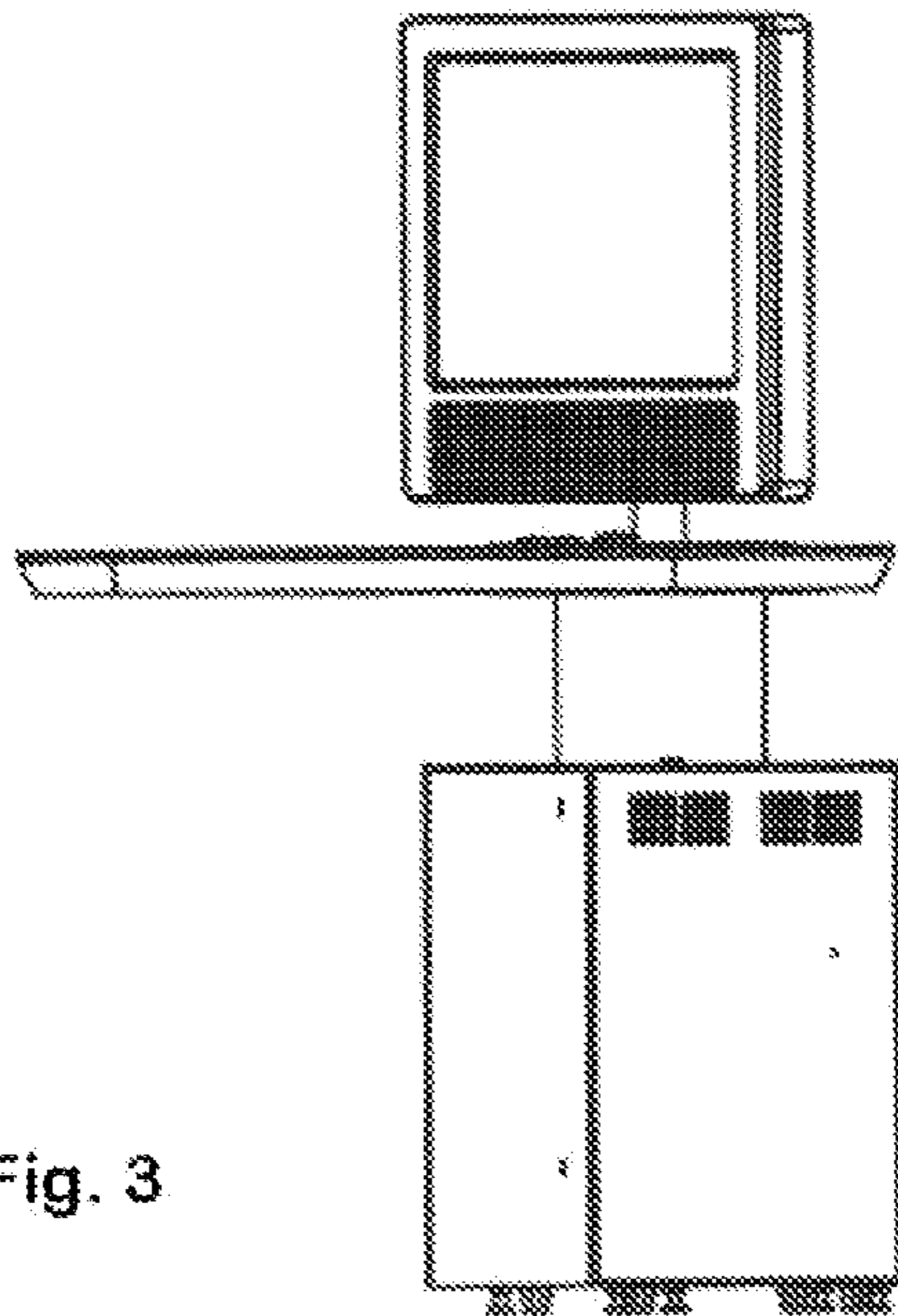


Fig. 3

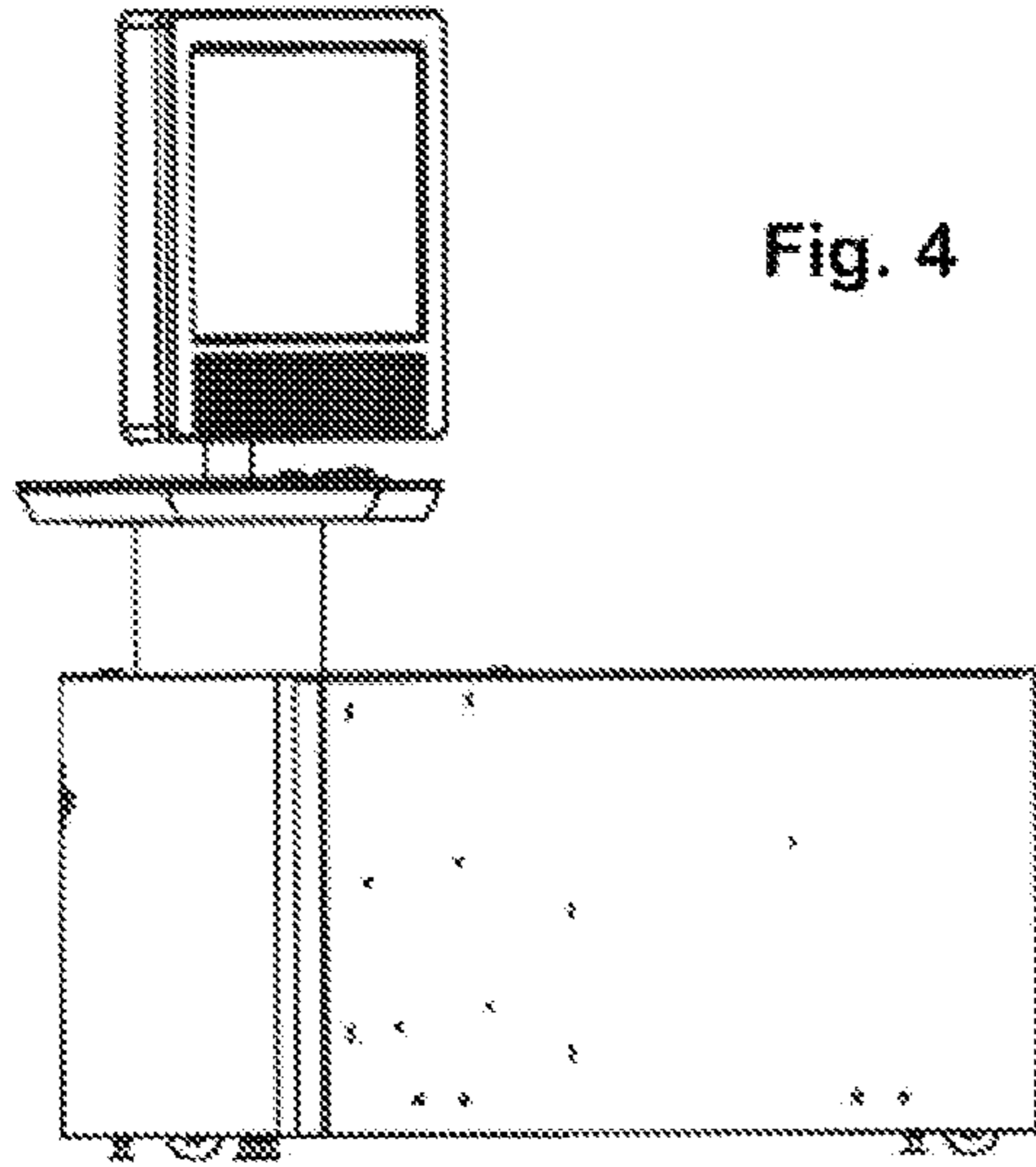


Fig. 4

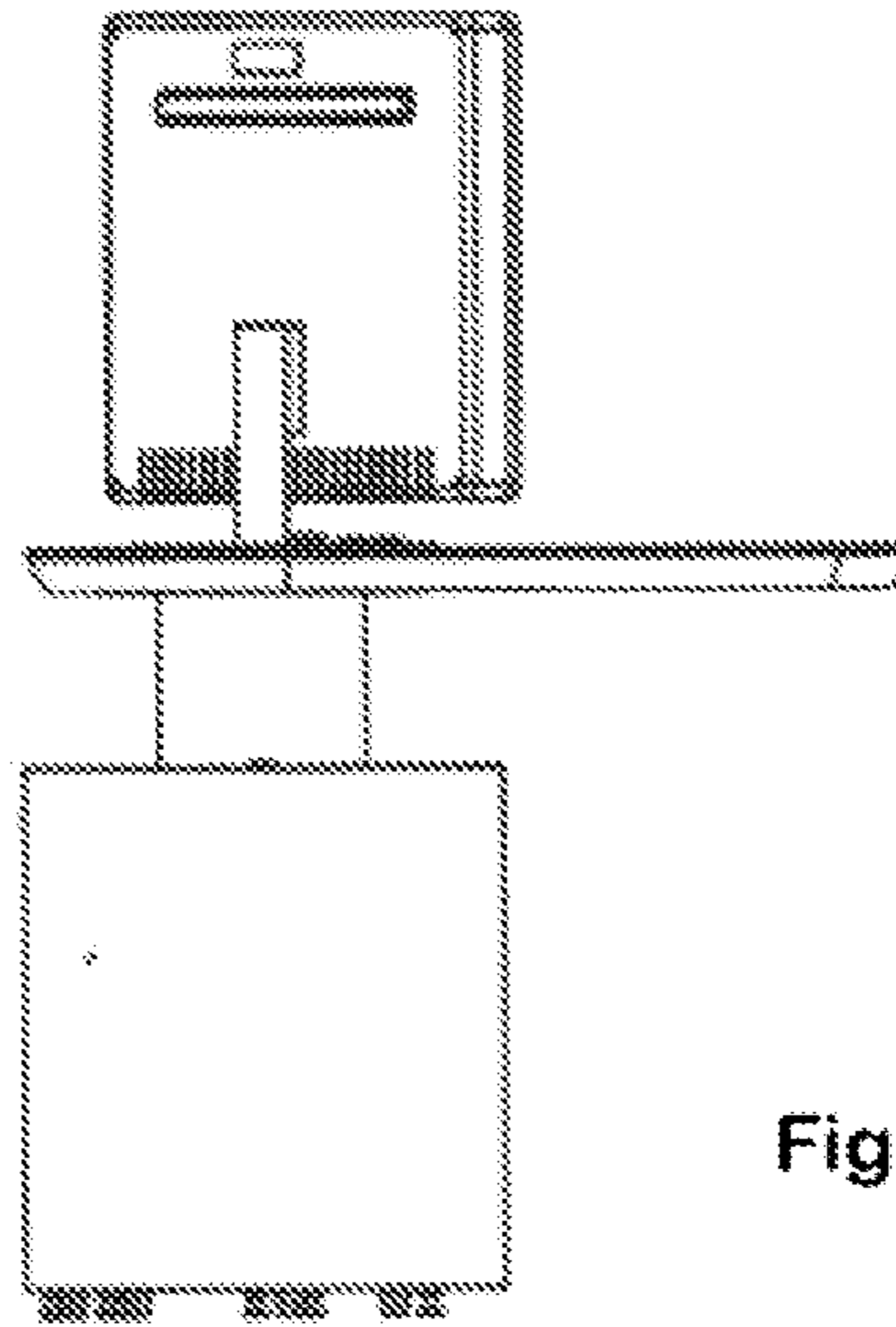


Fig. 5

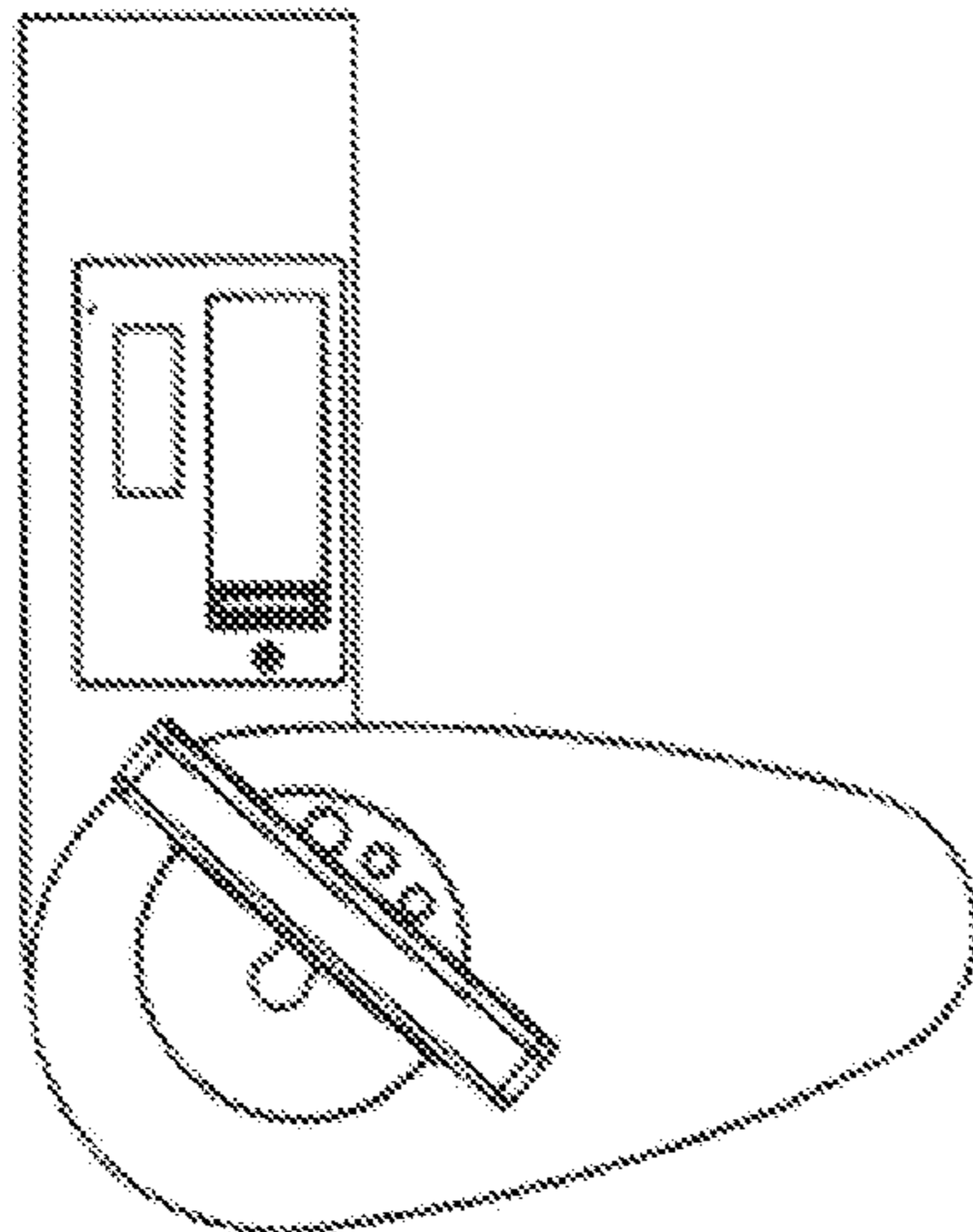


Fig. 6