

US00D607945S

(12) **United States Design Patent**  
**Guinchard et al.**

(10) **Patent No.:** **US D607,945 S**  
(45) **Date of Patent:** **\*\* Jan. 12, 2010**

(54) **DRUM VIDEO GAME CONTROLLER**  
(75) Inventors: **Lee Guinchard**, Mountain View, CA  
(US); **Stephen N. Withers**, Kendal  
(GB); **Lee Yat Lam**, Hong Kong (HK)

6,652,383 B1 11/2003 Sonoda et al.  
D505,424 S 5/2005 Ashida et al.  
D521,049 S 5/2006 Aluisi  
7,294,775 B1 \* 11/2007 Spoljaric, Jr. .... 84/421  
2005/0056997 A1 3/2005 Wakitani et al.

(73) Assignee: **Activision Publishing, Inc.**, Santa  
Monica, CA (US)

(\*\*) Term: **14 Years**

(21) Appl. No.: **29/338,977**

(22) Filed: **Jun. 22, 2009**

**OTHER PUBLICATIONS**

<http://www.thetanooki.com/2008/06/20/a-look-at-thewiis-world-tour-kit/> retrieved on internet (Google) on Aug. 17, 2009, 2 pages, Jun. 2008.\*  
<http://servo3000.wordpress.cpm/2008/05/22/the-guitar-hero-drums/> retrieved on internet (Google) on Aug. 17, 2009, 3 pages, May 2008.\*  
Berardini; "Rock Band Drum Kit Ships to Stores"; <http://news.teamxbox.com/xbox/15762/Rock-Band-Drum-Kit-Shipt-to-Stores/>; Feb. 20, 2008.

**Related U.S. Application Data**

(63) Continuation of application No. 29/320,022, filed on Jun. 18, 2008, now abandoned.

(51) **LOC (9) Cl.** ..... **21-01**

(52) **U.S. Cl.** ..... **D21/324; D21/333**

(58) **Field of Classification Search** ..... D21/324,  
D21/328, 333; D14/401, 412-416, 496,  
D14/432; 273/148 B; 463/1, 29-35, 46,  
463/47; D17/1, 2; 84/411 R, 412, 418, 421,  
84/422.1, 428 R, 453

See application file for complete search history.

(Continued)

*Primary Examiner*—Prabhakar Deshmukh  
(74) *Attorney, Agent, or Firm*—Klein, O'Neill & Singh, LLP

(57) **CLAIM**

The ornamental design for drum video game controller, as shown and described.

**DESCRIPTION**

FIG. 1 is a perspective view of a drum video game controller showing our new design;

FIG. 2 is a front view of the drum video game controller of FIG. 1;

FIG. 3 is a right side view of the drum video game controller of FIG. 1;

FIG. 4 is a rear view of the drum video game controller of FIG. 1;

FIG. 5 is a left side view of the drum video game controller of FIG. 1;

FIG. 6 is a top view of the drum video game of FIG. 1.; and,  
FIG. 7 is a bottom view of the drum video game of FIG. 1.

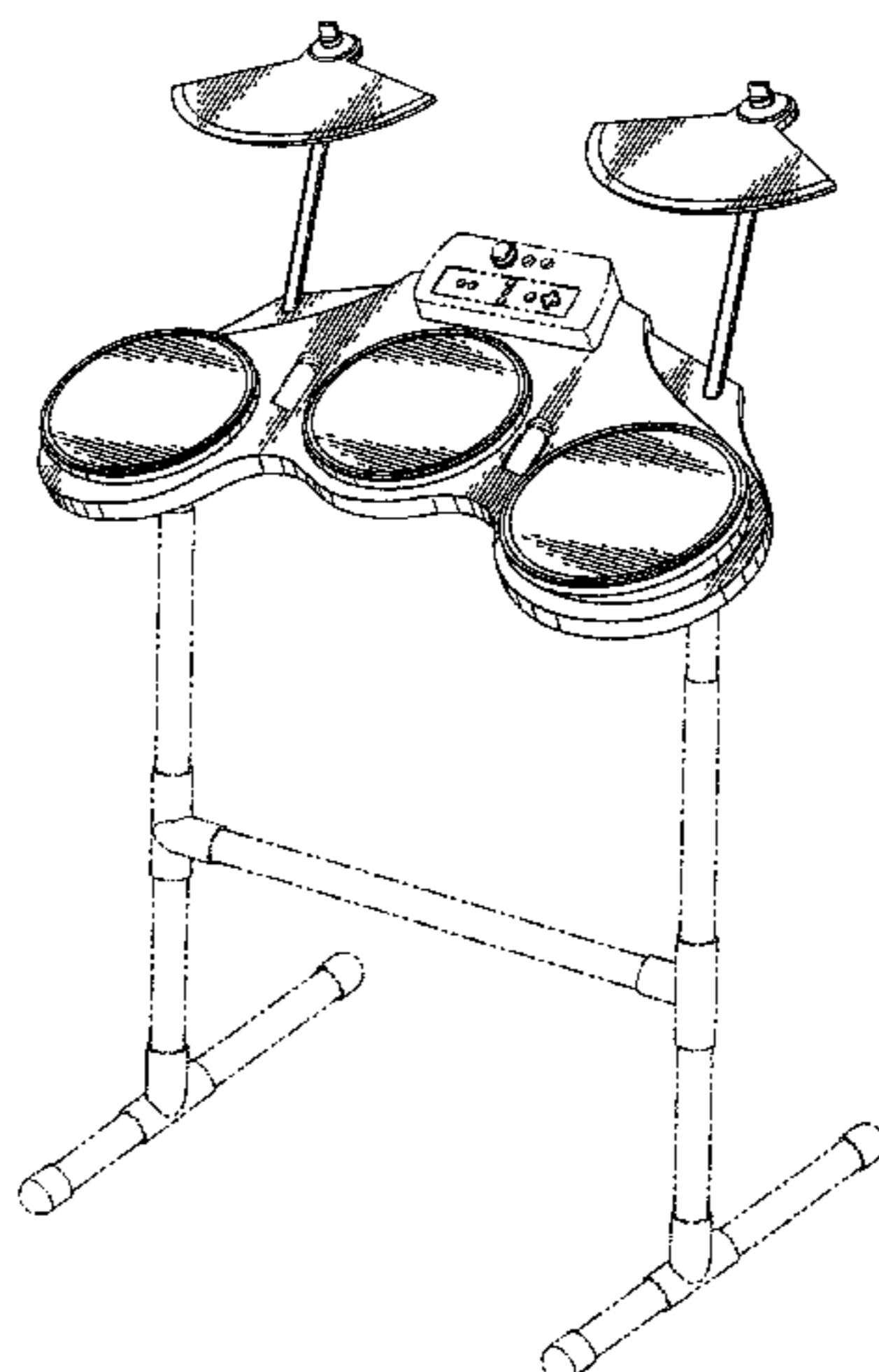
The broken lines of the figures depict environment of the drum video game controller and form no part of the design.

(56) **References Cited**

**U.S. PATENT DOCUMENTS**

1,420,233 A 6/1922 Baldwin et al.  
4,014,139 A \* 3/1977 Shooter et al. .... 451/67  
D325,662 S 4/1992 Meyers, Jr. et al.  
5,329,837 A 7/1994 Appolonia, III  
D367,271 S 2/1996 Roberts  
5,531,148 A \* 7/1996 Wilson ..... 84/412  
5,566,911 A 10/1996 Hoshino  
5,645,277 A 7/1997 Cheng  
D387,374 S 12/1997 Kawada  
5,797,569 A 8/1998 Simons  
D412,540 S 8/1999 Chen  
5,986,197 A \* 11/1999 Allen ..... 84/411 M  
D441,403 S 5/2001 Muraki et al.  
D463,030 S 9/2002 Ferber

**1 Claim, 7 Drawing Sheets**



OTHER PUBLICATIONS

Block; "Wii Rock Band Drum Kit Pics", <http://gear.ign.com/articles/880/880017p1.html>; Jun. 6, 2008.

Grant; "Roadievision: See the Rock Band drum kit setup" <http://www.joystiq.com/2007/10/17/roadievision-see-the-rock-band-drum-kit-setup/>; Oct. 17, 2007.

Image 1 of 3 of Wii Rock Band Drum Kit; Jun. 6, 2008.

Image 3 of 3 of Wii Rock Band Drum Kit; Jun. 6, 2008.

Murph; "Rock Band's microphone, prototype drum set unveiled"; <http://www.engadget.com/2007/06/23/rock-bands-microphone-prototype-drum-set-unveiled/>; Jun. 23, 2007.

Wilson; "Hands-On, Rock Band Drumset"; <http://gizmodo.com/gadgets/breaking/hands+on-rock-band-drumset-277360.php>; Jul. 11, 2007.

Description of Xbox Rock Band Drum Kit Cosies; [http://www.etsy.com/view\\_listing.php?listing\\_id=10669205](http://www.etsy.com/view_listing.php?listing_id=10669205); Mar. 31, 2008.

\* cited by examiner

FIG. 1

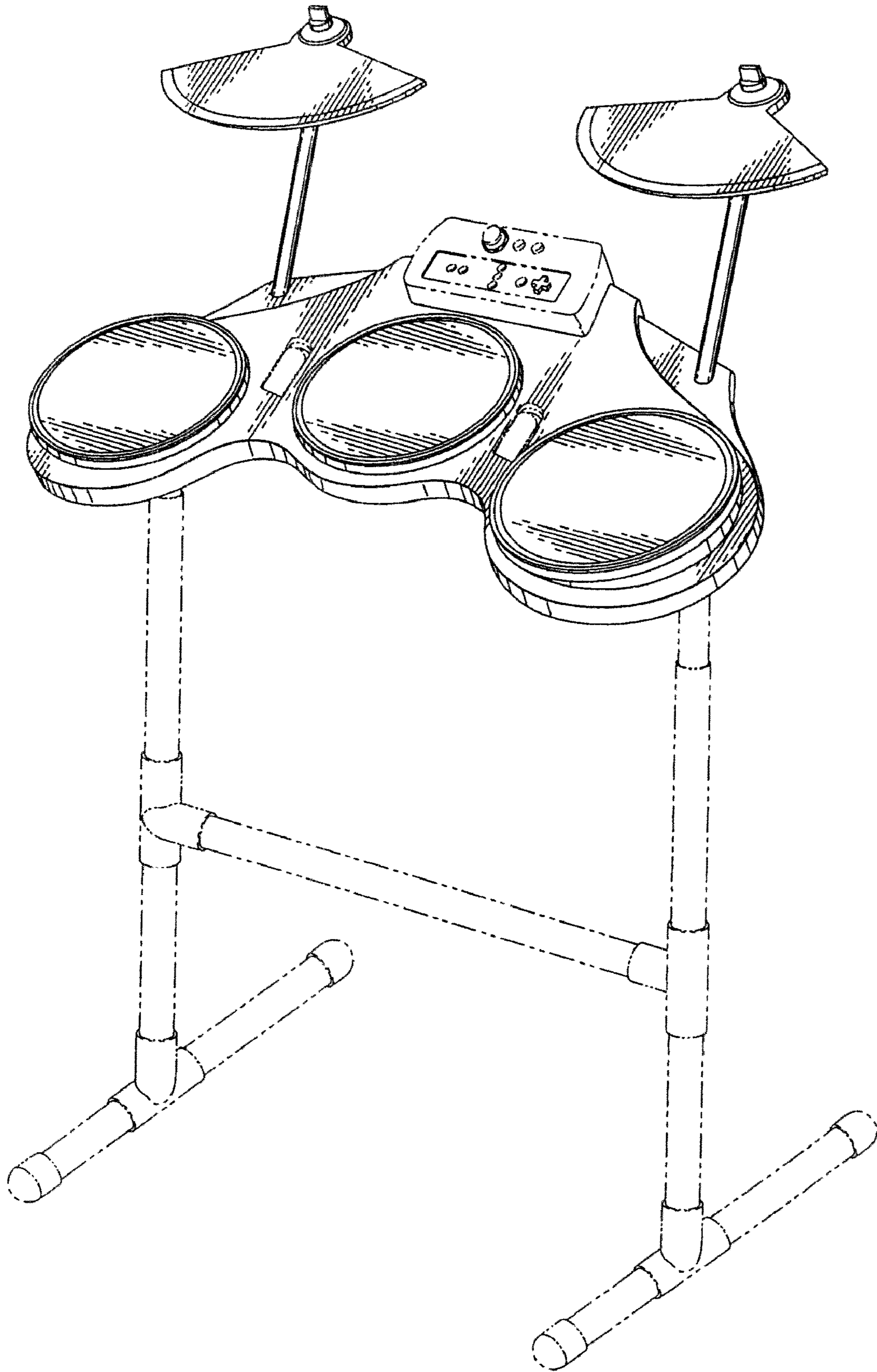




FIG. 2

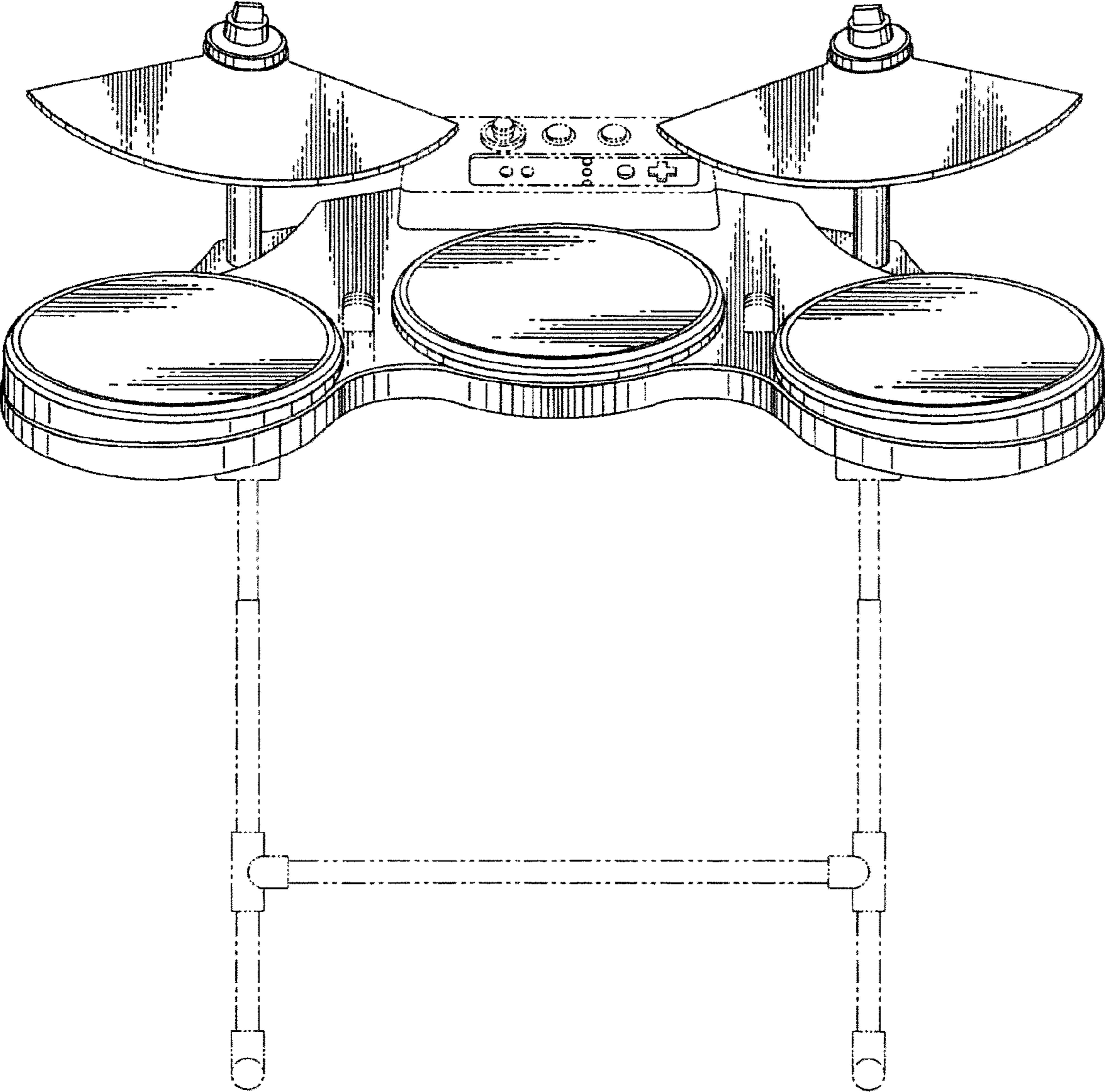


FIG. 3

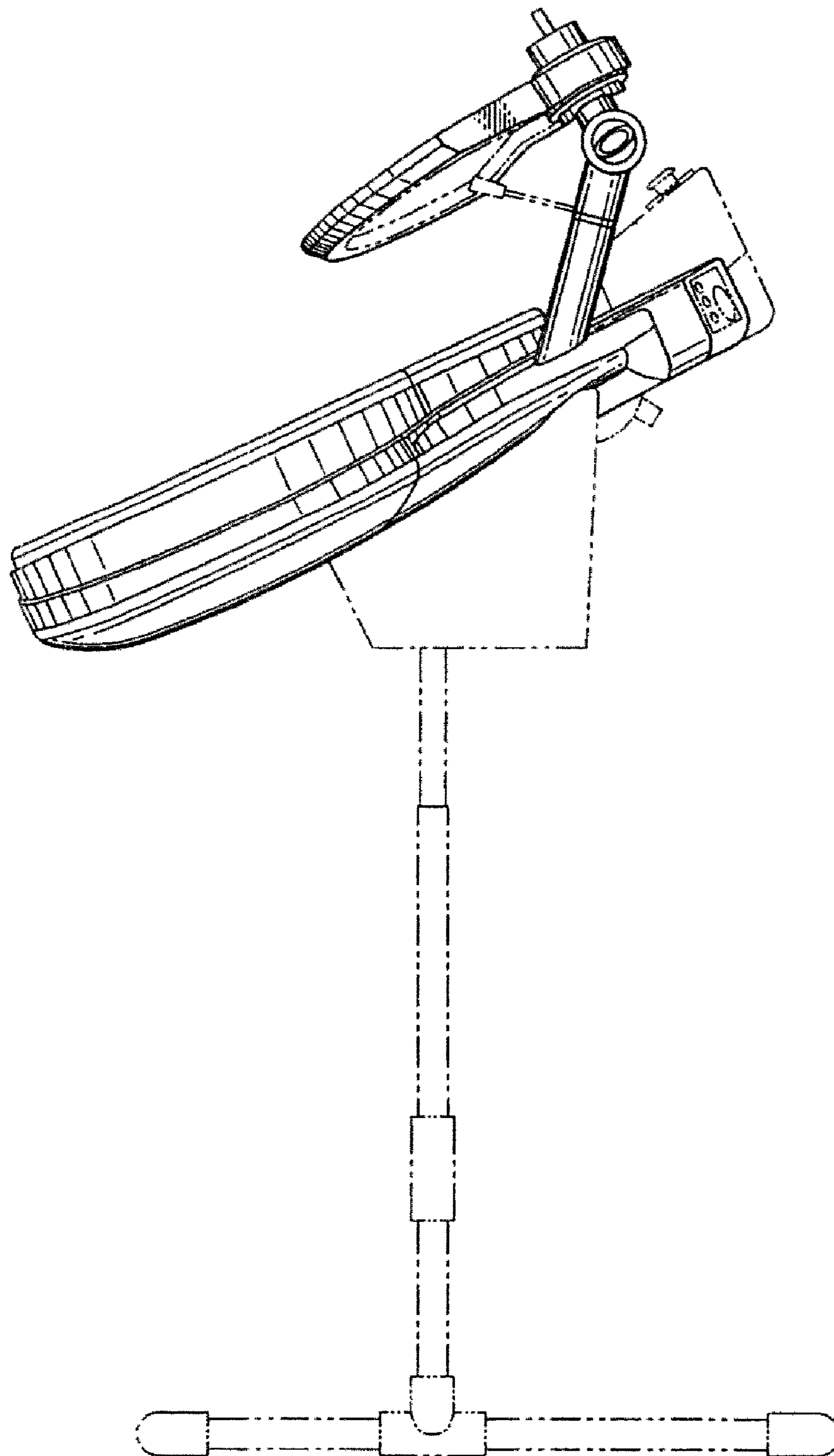


FIG. 4

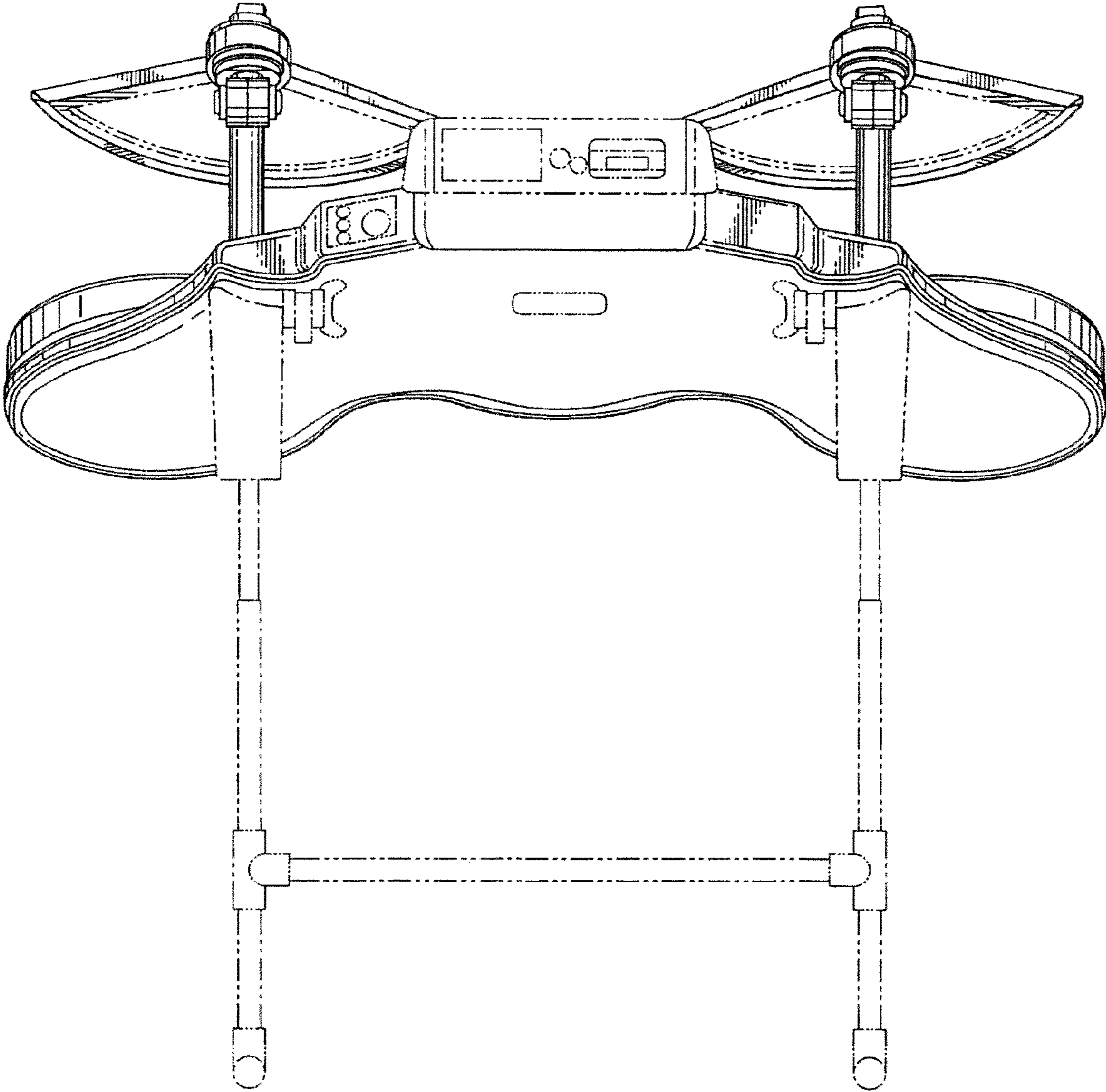


FIG. 5

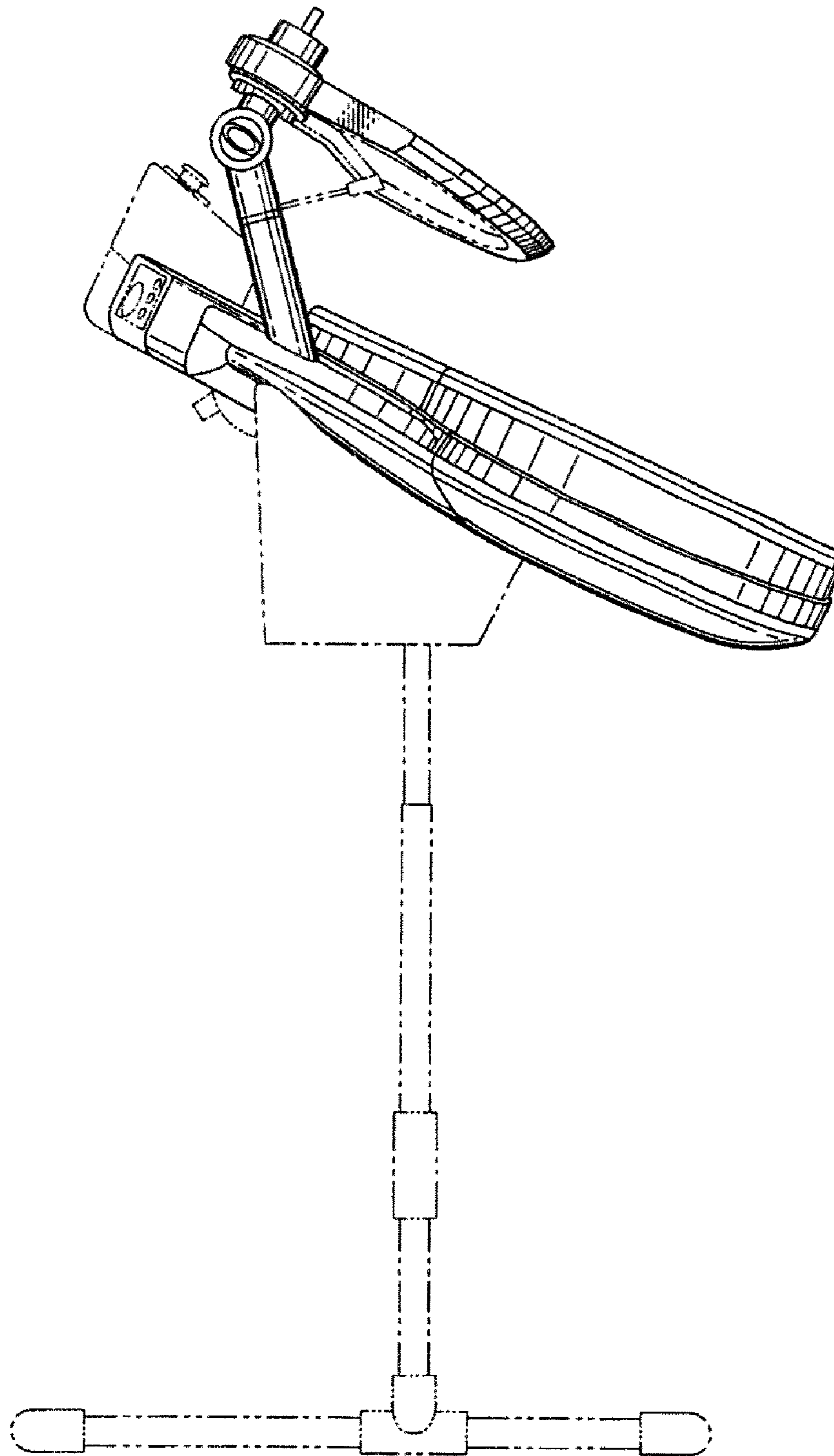




FIG. 6

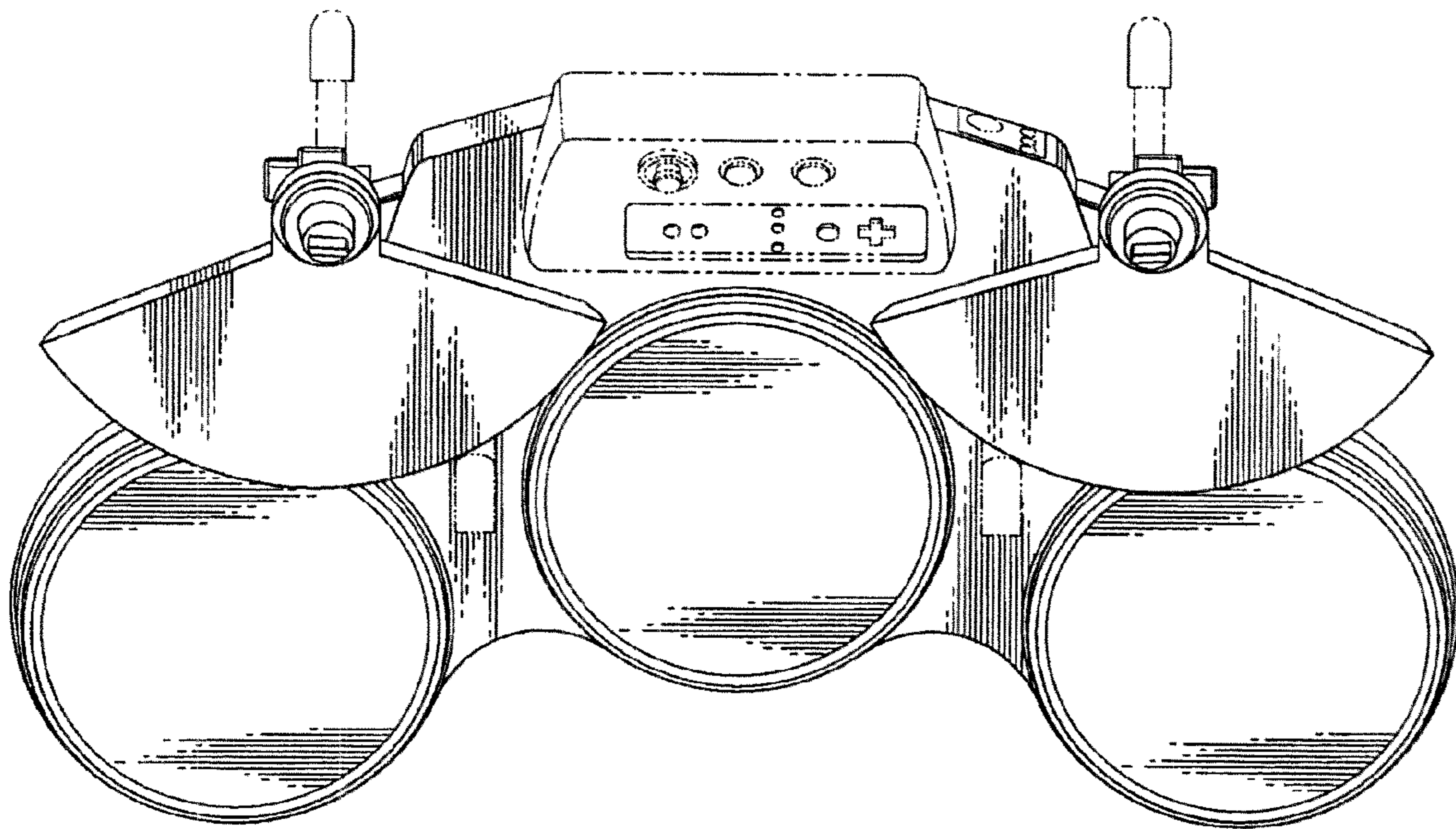




FIG. 7

