



US00D607944S

(12) **United States Design Patent**
Merner

(10) **Patent No.:** **US D607,944 S**
(45) **Date of Patent:** **** Jan. 12, 2010**

(54) **SUPPORT FOR A RETRACTABLE BANNER STAND**

(75) Inventor: **Lyle D. Merner**, Richmond (CA);
Gabriela P. Merner, legal representative, Richmond (CA)

(73) Assignees: **Downing Displays, Inc.**, Milford, OH (US); **The Portables Exhibit Systems Limited**, Richmond, British Columbia (CA)

(**) Term: **14 Years**

(21) Appl. No.: **29/323,542**

(22) Filed: **Aug. 27, 2008**

(51) **LOC (9) Cl.** **20-99**

(52) **U.S. Cl.** **D20/99**

(58) **Field of Classification Search** D20/10,
D20/15, 19, 41-43, 99; 40/348, 350, 375,
40/385, 386, 514, 518, 541, 584, 603, 604,
40/606.01, 606.03, 642.02; D10/109; D19/20,
D19/21; 248/468; D6/495

See application file for complete search history.

(56) **References Cited**

U.S. PATENT DOCUMENTS

1,974,076	A	9/1934	Lindenberger	
D339,168	S	9/1993	Gerhart et al.	
5,798,861	A	8/1998	Doat	
D406,275	S *	3/1999	Wright	D19/20
5,983,545	A	11/1999	Marco	
6,115,951	A	9/2000	Jing et al.	
6,182,938	B1 *	2/2001	Wright	248/468
6,457,684	B1	10/2002	McKendry	
D468,362	S *	1/2003	Zarelius	D20/99
6,571,496	B2	6/2003	Zarelius	
6,643,966	B2	11/2003	Schmitt	
D483,412	S *	12/2003	Lang	D20/41
D483,413	S *	12/2003	Merenlender	D20/41
D497,955	S *	11/2004	Lang	D20/41
6,836,988	B2	1/2005	Zarelius	
7,040,372	B2	5/2006	Johansson et al.	

7,237,350	B1	7/2007	Zarelius	
D562,909	S	2/2008	Meijer	
7,337,567	B2	3/2008	Fritsche et al.	
D577,075	S *	9/2008	Bode	D20/43
D578,574	S *	10/2008	Lundgren	D20/99
D592,706	S *	5/2009	Zarelius	D20/43
D592,707	S *	5/2009	Zarelius	D20/43
2002/0050083	A1 *	5/2002	Zarelius	40/514
2008/0105797	A1	5/2008	Fritsche et al.	

FOREIGN PATENT DOCUMENTS

WO 0047508 8/2000

OTHER PUBLICATIONS

Skyline Banner Stand 3000 (6 pages) (copyright 2008).

(Continued)

Primary Examiner—Janice E Seeger
Assistant Examiner—Mary Ann Calabrese
(74) *Attorney, Agent, or Firm*—Wood, Herron & Evans, LLP

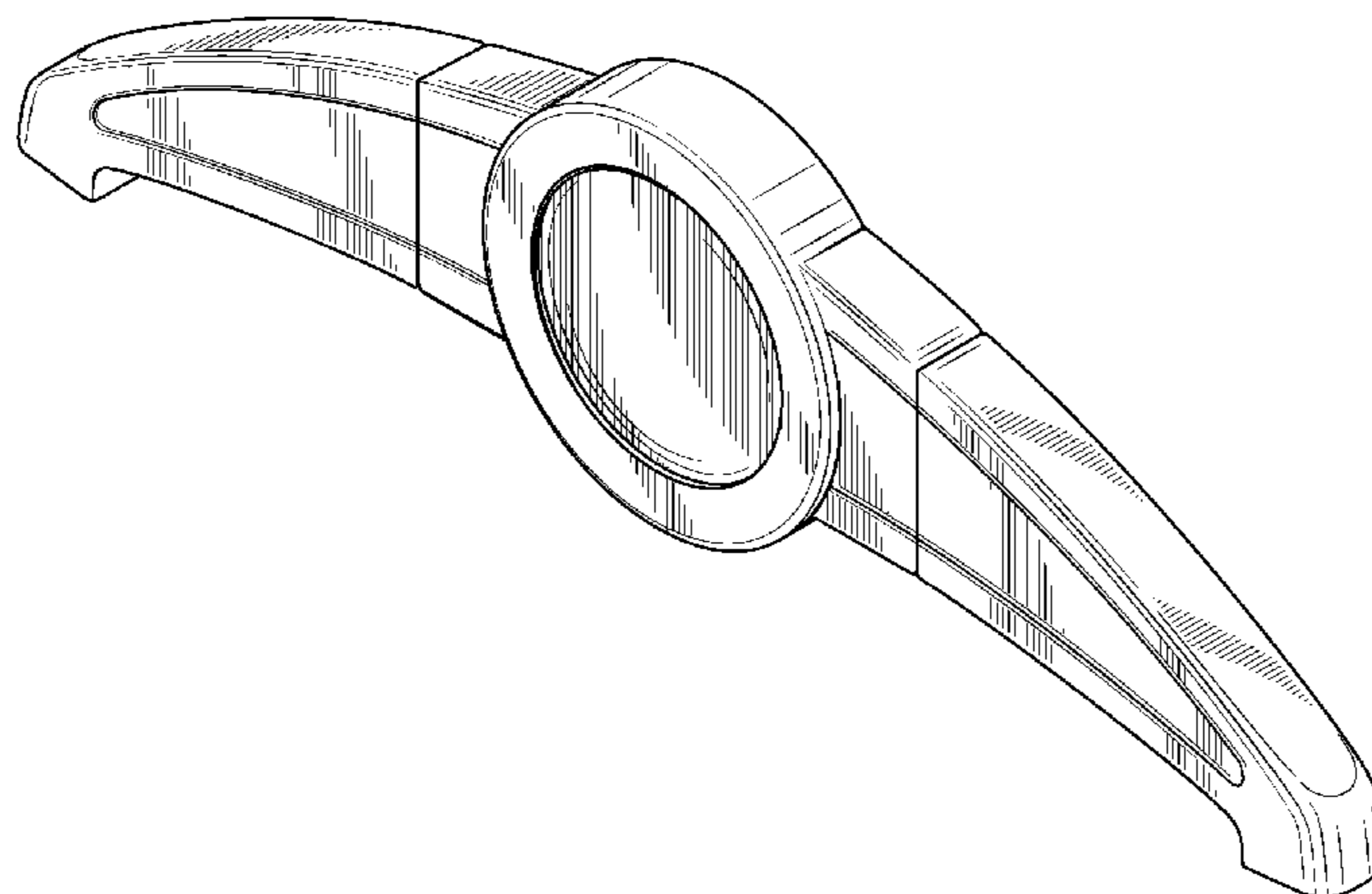
(57) **CLAIM**

The ornamental design for a support for a retractable banner stand, as shown and described.

DESCRIPTION

FIG. 1 is a perspective view of an embodiment of his new, original and ornamental design;
FIG. 2 is a front view thereof;
FIG. 3 is a rear view thereof;
FIG. 4 is a right side view thereof, the rights side view being a mirror image thereof;
FIG. 5 is a top view thereof; and,
FIG. 6 is a bottom view thereof.
The portions of the design shown in broken lines form no part of the claimed design.

1 Claim, 2 Drawing Sheets



OTHER PUBLICATIONS

Skyline Banner Stand 3000-R Specifications (2 pages) (copyright 2008).

Skyline Banner 3000-R Set Up (PN23107) (1 page) (copyright 2003).

Skyline Banner Stand 3000-R Double Sided (PN24983-A) (1 page) (copyright 2003).

Skyline Banner Stand 3000-R Exchange Graphic Replacement (PN24468) (1 page) (copyright 2003).

Skyline Reaction (TM) Banner Stand Unique Curved, Retractable Design (PN28419) (4 pages) (copyright 2005).

Skyline Banner Stand with Graphic Exchange System (PN25672) (4 pages) (copyright 2004).

Skyline Exalt(R) Banner Stand web ad page (1 page) (copyright 2008).

Skyline Exalt (TM) Curved Banner Stand Set-Up instructions (PN31578-A) (8 pages) (copyright 2007).

Skyline Exalt(TM) Convertible Stand Graphic Replacement (PN30631-B) (1 page) (copyright 2007).

Skyline Exalt Banner Stand Specifications (1 page) (copyright 2008).

* cited by examiner

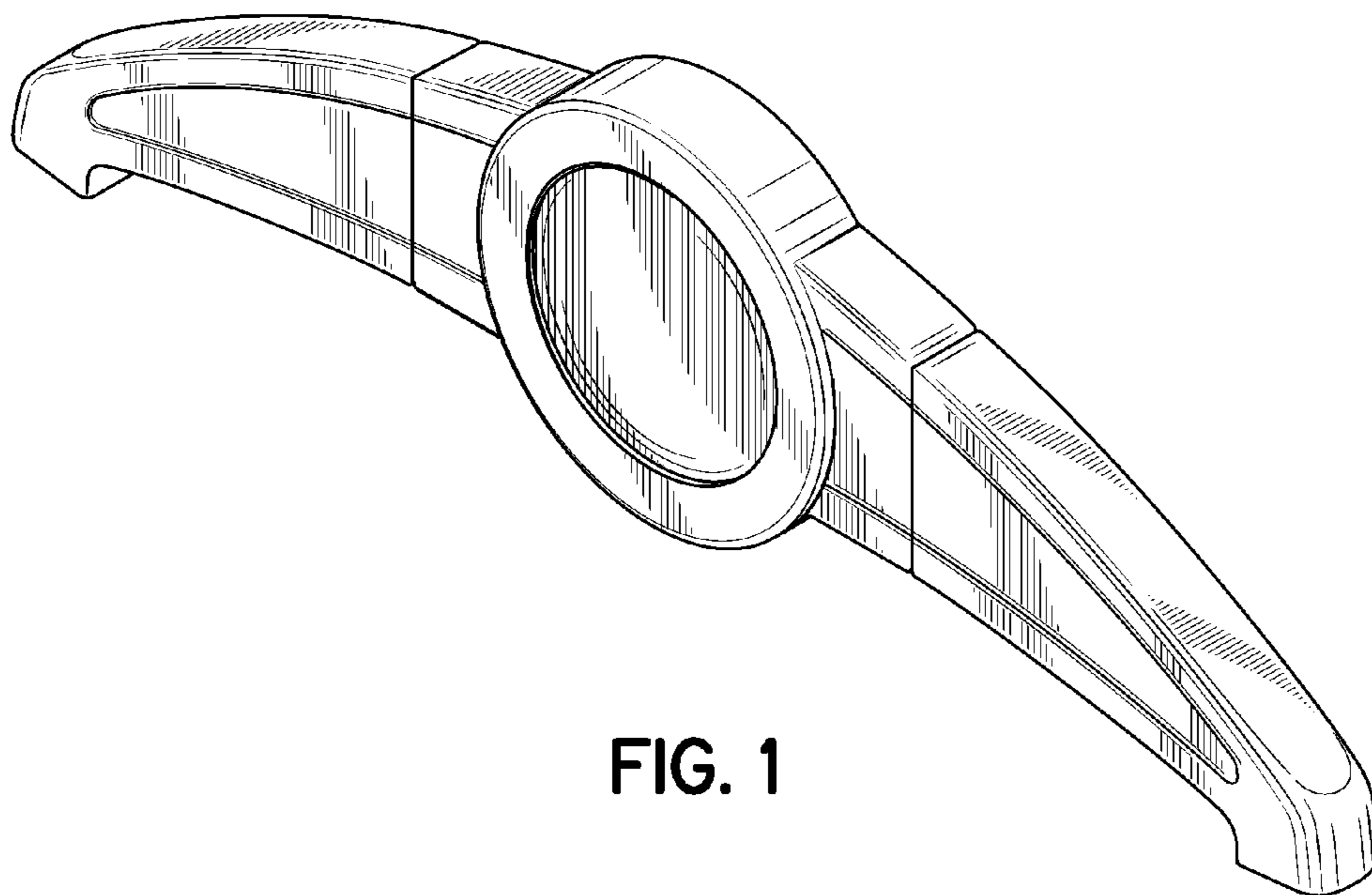


FIG. 1

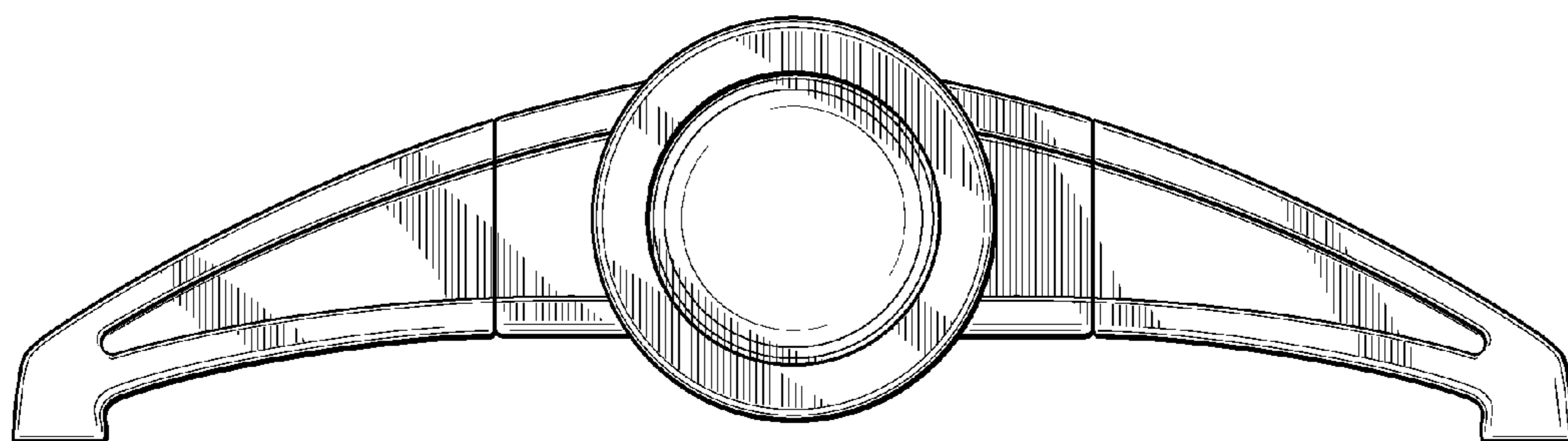


FIG. 2

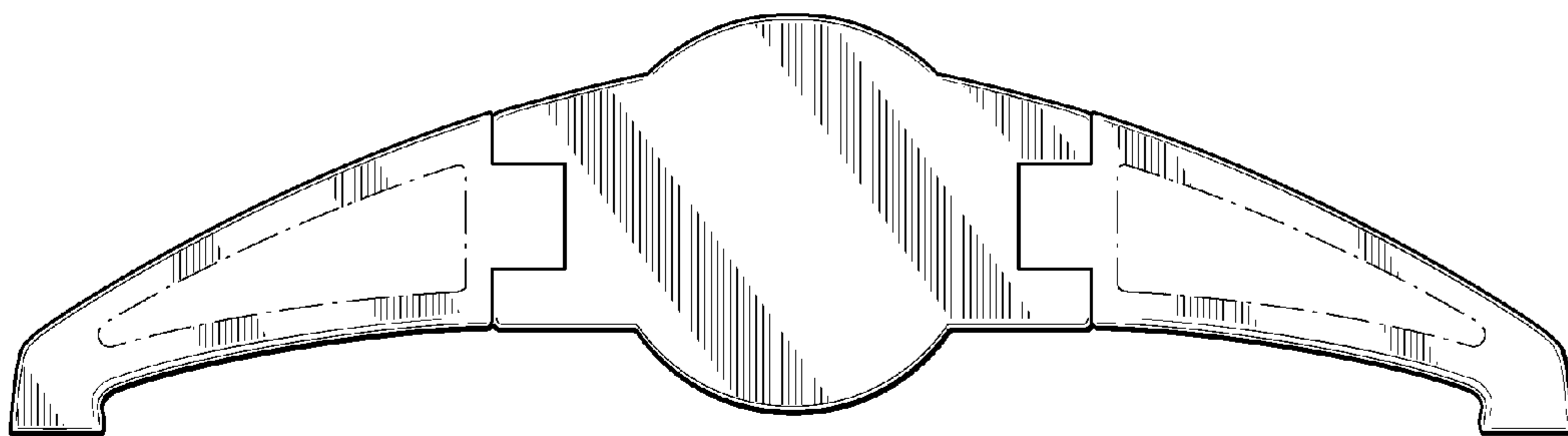


FIG. 3

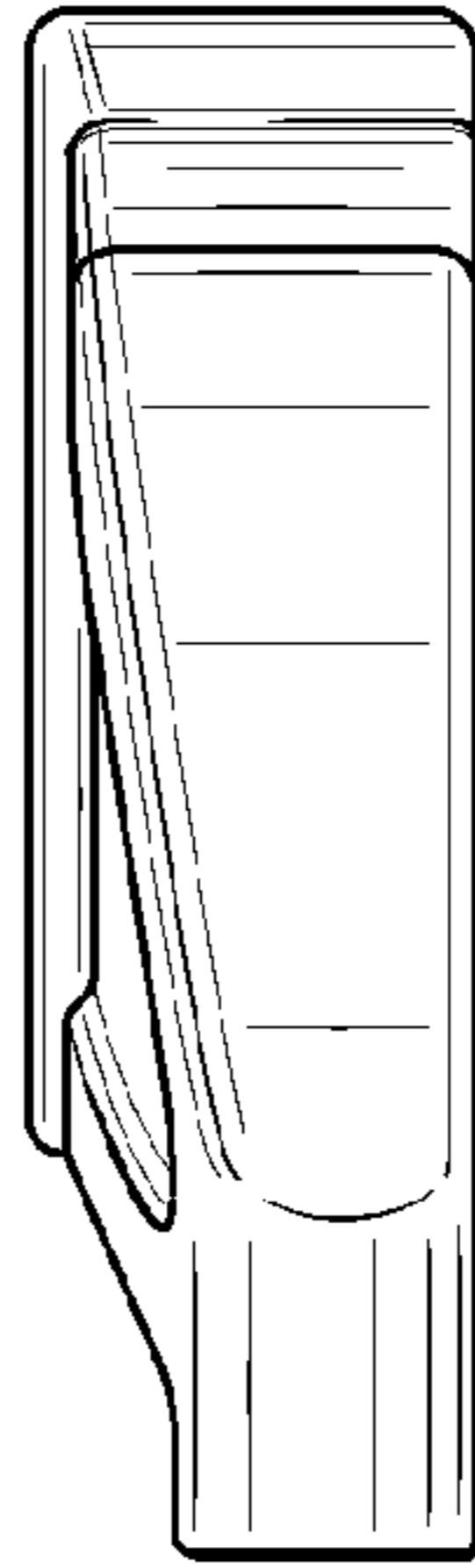


FIG. 4

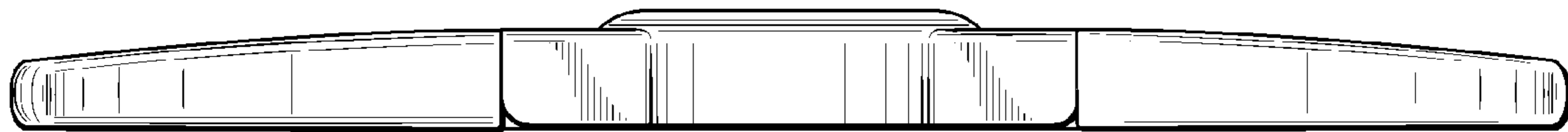


FIG. 5

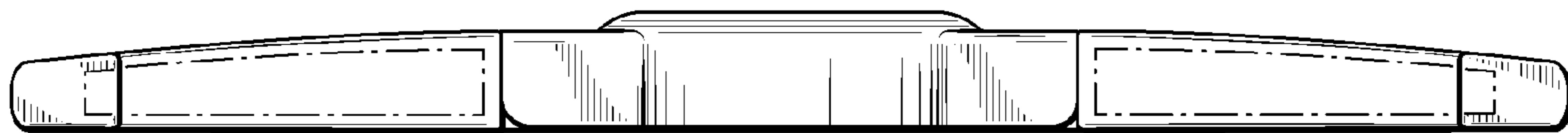


FIG. 6

UNITED STATES PATENT AND TRADEMARK OFFICE
CERTIFICATE OF CORRECTION

PATENT NO. : D607,944 S
APPLICATION NO. : 29/323542
DATED : January 12, 2010
INVENTOR(S) : Lyle D. Merner, Deceased

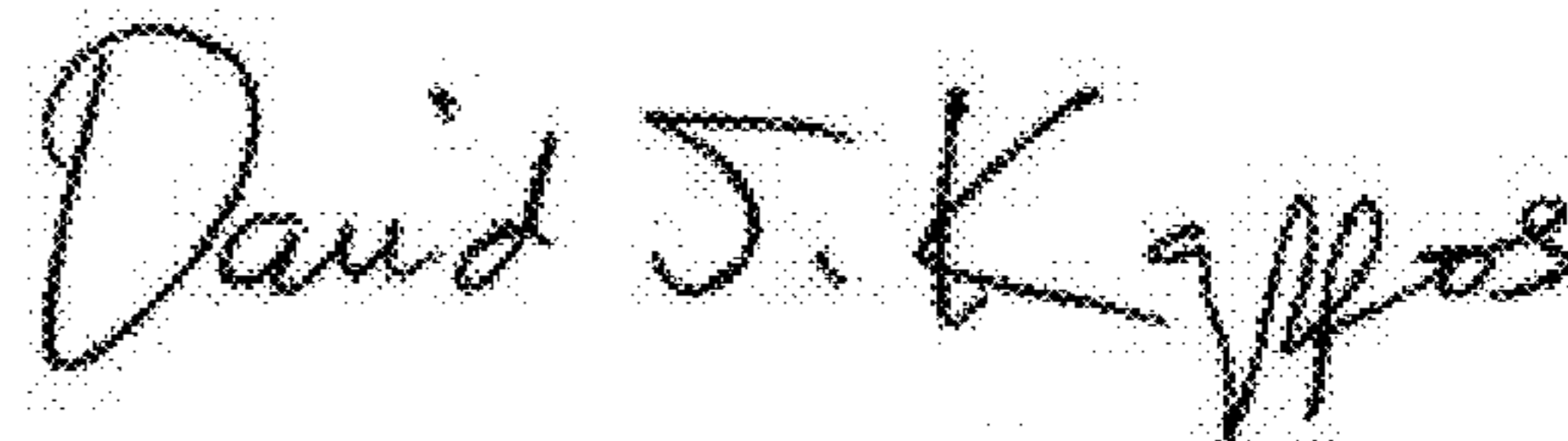
Page 1 of 1

It is certified that error appears in the above-identified patent and that said Letters Patent is hereby corrected as shown below:

On the Title Page

Column 2, line 5, Description "is a right side view thereof, the rights side view"
should be -- is a right side view thereof, the left side view --

Signed and Sealed this
Seventh Day of June, 2011

A handwritten signature in black ink that reads "David J. Kappos". The signature is written in a cursive style with a large initial 'D' and 'K'.

David J. Kappos
Director of the United States Patent and Trademark Office