



US00D607939S

(12) **United States Design Patent**
Baker

(10) **Patent No.:** **US D607,939 S**
(45) **Date of Patent:** **** Jan. 12, 2010**

(54) **BASEBALL HELMET DESK CADDY**

(75) Inventor: **Adrian Baker**, Litchfield, IL (US)

(73) Assignee: **Melas, Inc.**, Litchfield, IL (US)

(**) Term: **14 Years**

(21) Appl. No.: **29/293,359**

(22) Filed: **Nov. 19, 2007**

(51) **LOC (9) Cl.** **19-06**

(52) **U.S. Cl.** **D19/82**

(58) **Field of Classification Search** D3/259,
D3/271.9; D7/556, 571, 515, 604, 613, 619.2;
D9/455, 632, 668; D19/75, 77-87, 93-97,
D19/99, 100; D29/103, 104, 105, 106; 2/10,
2/410, 411, 414, 416, 422; 206/214, 371,
206/457

See application file for complete search history.

(56) **References Cited**

U.S. PATENT DOCUMENTS

- D155,152 S 9/1949 Greenstein et al.
- D186,759 S * 12/1959 Crick, Jr. D29/105
- 3,042,927 A * 7/1962 Mauro et al. 2/418
- D209,219 S 11/1967 Goldstein et al.
- D218,349 S 8/1970 Feeney
- D226,335 S 2/1973 Levy et al.
- D230,103 S * 1/1974 Hyatt, Jr. D29/105
- D232,011 S 7/1974 Denton
- D243,578 S 3/1977 Danat
- D249,272 S 9/1978 Sommerfeld
- D275,786 S * 10/1984 Reedman D23/367
- D279,481 S 7/1985 Adell
- D281,973 S * 12/1985 Paul D14/143
- 4,586,280 A 5/1986 Dane
- D289,663 S 5/1987 Zucker
- D292,991 S 12/1987 Adler
- D293,690 S 1/1988 Adler
- D295,424 S 4/1988 Porter

- D314,492 S 2/1991 Weller et al.
- D319,911 S 9/1991 Tsuji
- D327,775 S 7/1992 Turner
- D330,856 S * 11/1992 Kidd D9/451
- D333,154 S * 2/1993 Hiromori D19/65
- D337,242 S 7/1993 Steinfels, III
- D340,072 S 10/1993 Turner

(Continued)

OTHER PUBLICATIONS

Dawgwear, Schutt (Red) Helmet Desk Caddy, \$32.55, www.dawgwear.net, 2 pages, 2001.*

(Continued)

Primary Examiner—Elizabeth A Albert
(74) *Attorney, Agent, or Firm*—Brinks Hofer Gilson & Lione

(57) **CLAIM**

I claim the ornamental design for a baseball helmet desk caddy, as shown and described.

DESCRIPTION

FIG. 1 is a perspective view of my new design of a baseball helmet desk caddy;

FIG. 2 is a right side view of my design shown in FIG. 1, where the left side view is a mirror image to the right side view shown in FIG. 2;

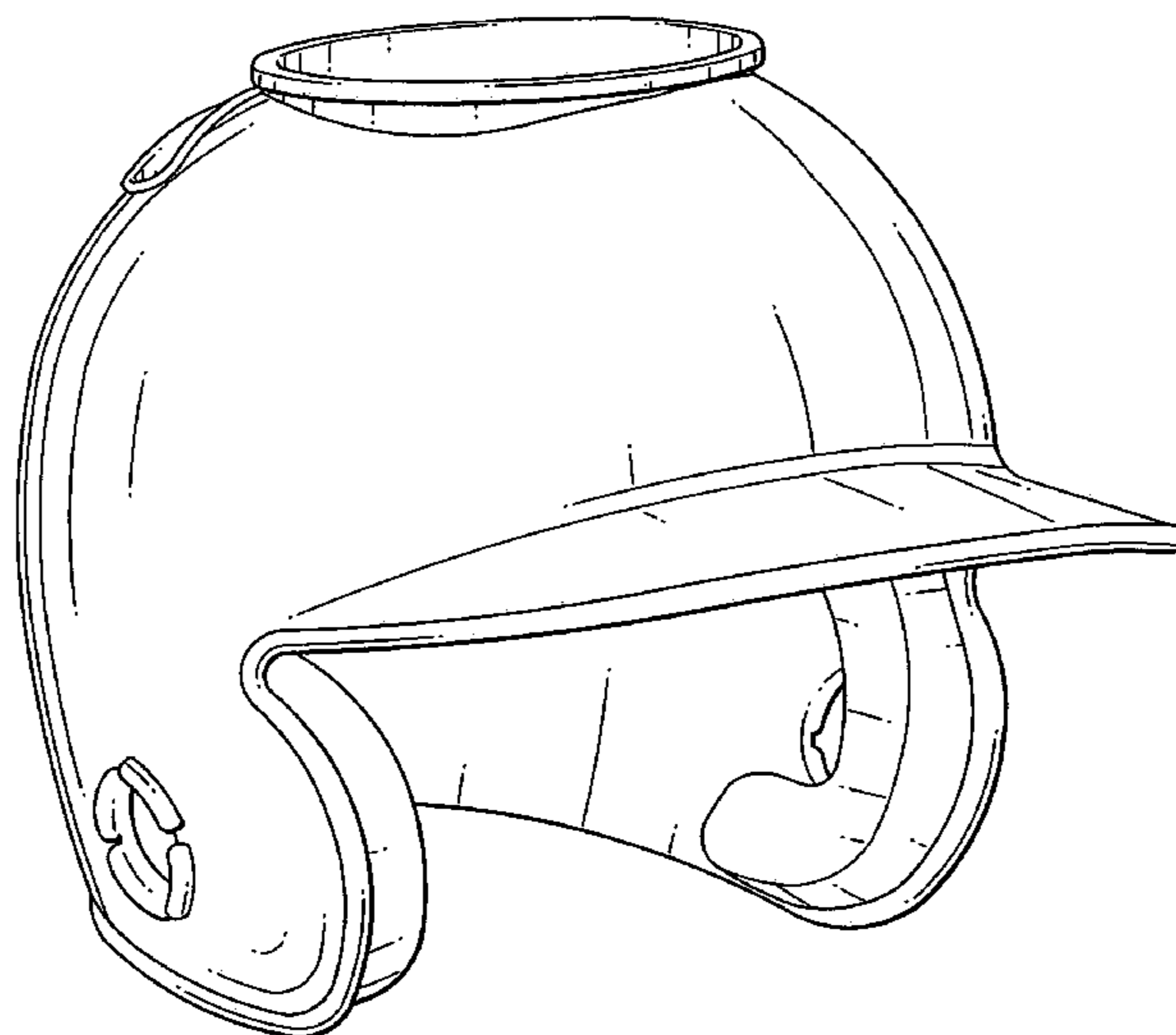
FIG. 3 is a front view of my design shown in FIG. 1;

FIG. 4 is a rear view of my design shown in FIG. 1;

FIG. 5 is a top view of my design shown in FIG. 1; and,

FIG. 6 is a bottom view of my design shown in FIG. 1.

1 Claim, 5 Drawing Sheets



U.S. PATENT DOCUMENTS

D340,073	S	10/1993	Turner	
D340,074	S	10/1993	Turner	
D340,075	S	10/1993	Turner	
D340,076	S	10/1993	Turner	
D340,077	S	10/1993	Turner	
D343,258	S *	1/1994	Greer	D29/103
D344,659	S	3/1994	Hsu	
5,511,250	A *	4/1996	Field et al.	2/418
5,511,685	A	4/1996	Nelson	
D379,023	S	4/1997	August	
D382,473	S	8/1997	Egender	
D385,662	S *	10/1997	Paglucci et al.	D29/105
D388,464	S	12/1997	Najbart	
5,694,649	A *	12/1997	Hefling et al.	2/418
5,829,103	A	11/1998	Allen	
D402,414	S *	12/1998	Smith	D29/106
5,867,874	A	2/1999	Simpson	
5,974,593	A *	11/1999	McNabb	2/418
D419,880	S *	2/2000	Adams	D9/451
6,073,798	A	6/2000	Rosenhain	
D430,214	S	8/2000	Palmer	
6,128,786	A *	10/2000	Maddux et al.	2/418
D434,607	S	12/2000	Hansen	
D458,639	S	6/2002	Anderson	
6,665,884	B1 *	12/2003	Demps et al.	2/414
D501,344	S *	2/2005	Miesieski et al.	D6/515
D504,003	S	4/2005	Lee	
D504,156	S	4/2005	Galotti et al.	
6,923,322	B2	8/2005	Lenker	
D514,259	S *	1/2006	Brown et al.	D29/106
D519,801	S *	5/2006	Lee	D8/38
7,137,151	B2	11/2006	Keech	
D534,347	S	1/2007	Prentice	
D535,157	S	1/2007	Hoehne	
D552,800	S *	10/2007	Ho	D29/105
2007/0250990	A1 *	11/2007	Brown et al.	2/414
2008/0000016	A1 *	1/2008	Kellogg	2/410

OTHER PUBLICATIONS

Football America, footballamerica.com, Schutt Collegiate Helmet Desk Caddy, item 72120, 2 pages, 2001.*

“Artisan Sterling Silver Basketball Pen Holder,” <<http://caspi-silver.co.il/nconfigout.asp?psn=750&scat=192>>, Nov. 19, 2007.
 “B21-BK32 JPEG Image,” <<http://soccerstuffnmore.com/uploads/images/B21-BK32.jpg>>, Nov. 19, 2007.
 “Basketball Coolie Cup,” <http://catalog.prographicssportswear.com/product_info.php?products_id=75&SID&catid=28>, Nov. 19, 2007.
 “Basketball Pen Holder Statue,” <<http://www.milliesplastercraft.com/Product.asp?pid=1037>>, Nov. 19, 2007.
 “Basketball Pen Holder,” <<http://www.sweetpeachesbedding.com/basketball-pencil-holder-p23060-c852.html>>, Nov. 19, 2007.
 “Basketball Pencil Holder,” <http://www.nxtgeneration.net/basketball_pencil_holder.html>, Nov. 19, 2007.
 “Denver Broncos Official Online Pro Shop-Football Snack Helmet,” <http://denverbroncosproshop.com/main_detail.cfm?nProductID=4635&sAuxTitle=Football%20Snack%20Helmet>, Nov. 19, 2007.
 “First Serve In,” <<http://www.firstservein.com/images/td006.jpg>>, Nov. 19, 2007.
 “Mini Basketball Pencil Holder,” <<http://withaname.com/ProductPage/ZoomPage.php?PageType=CH7500BK>>, Nov. 19, 2007.
 “New England Patriots-NFL Helmet Desk Organizer,” <<http://www.rivercitysports.com/final-04.cfm?league=NFL&team=NEW%ENGLAND%20PATRIOTS&category=SOUVENIRS&subcategory=HOME%20AND%20OFFICE&proddesc=NFL%20Helmet%20Desk%20Organizer&colors=>>>, Nov. 19, 2007.
 “Ohio State Buckeyes Helmet Toothbrush Holder,” <http://www.footballfanatics.com/COLLEGE_Ohio_State_Buckeyes_Home_Office_And_School/Ohio_State_Buckeyes_Helmet_Toothbrush_Holder>, Nov. 19, 2007.
 “Personalized Mini Football Pencil Holder,” <<http://www.toyscamp.com/viewproduc.asp?productId=GGCH7200>>, Nov. 19, 2007.
 “San Diego Padres MLB Replica Left Flap Mini Batting Helmet From Riddell,” <<http://www.onlinesports.com/pages/I,RID-padres.html>>, Nov. 19, 2007.
 “Soccer Ball Pencil Holder,” <http://nxtgeneration.net/soccer_ball_pencil_holder.html>, Nov. 19, 2007.

* cited by examiner

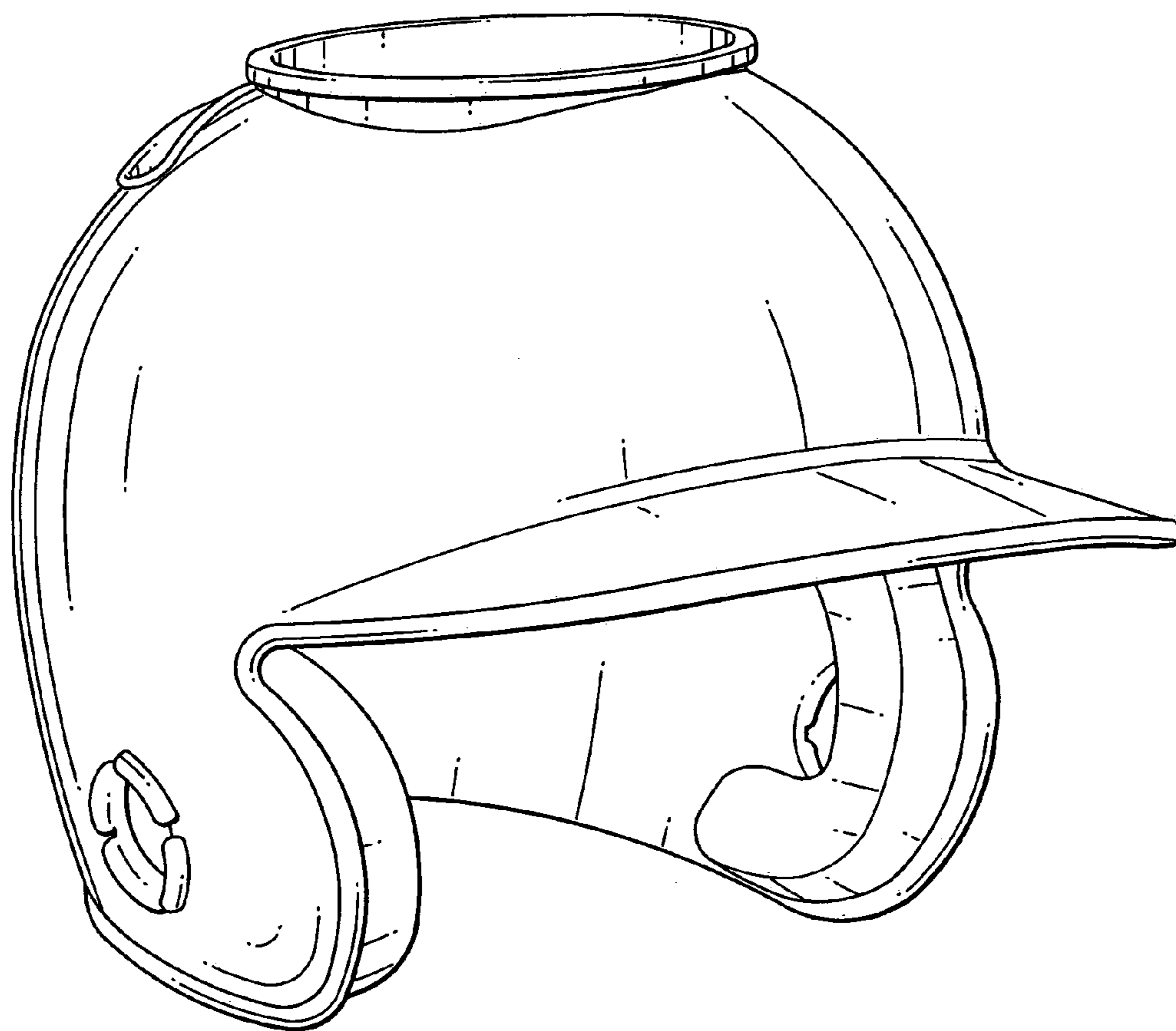


FIG. 1

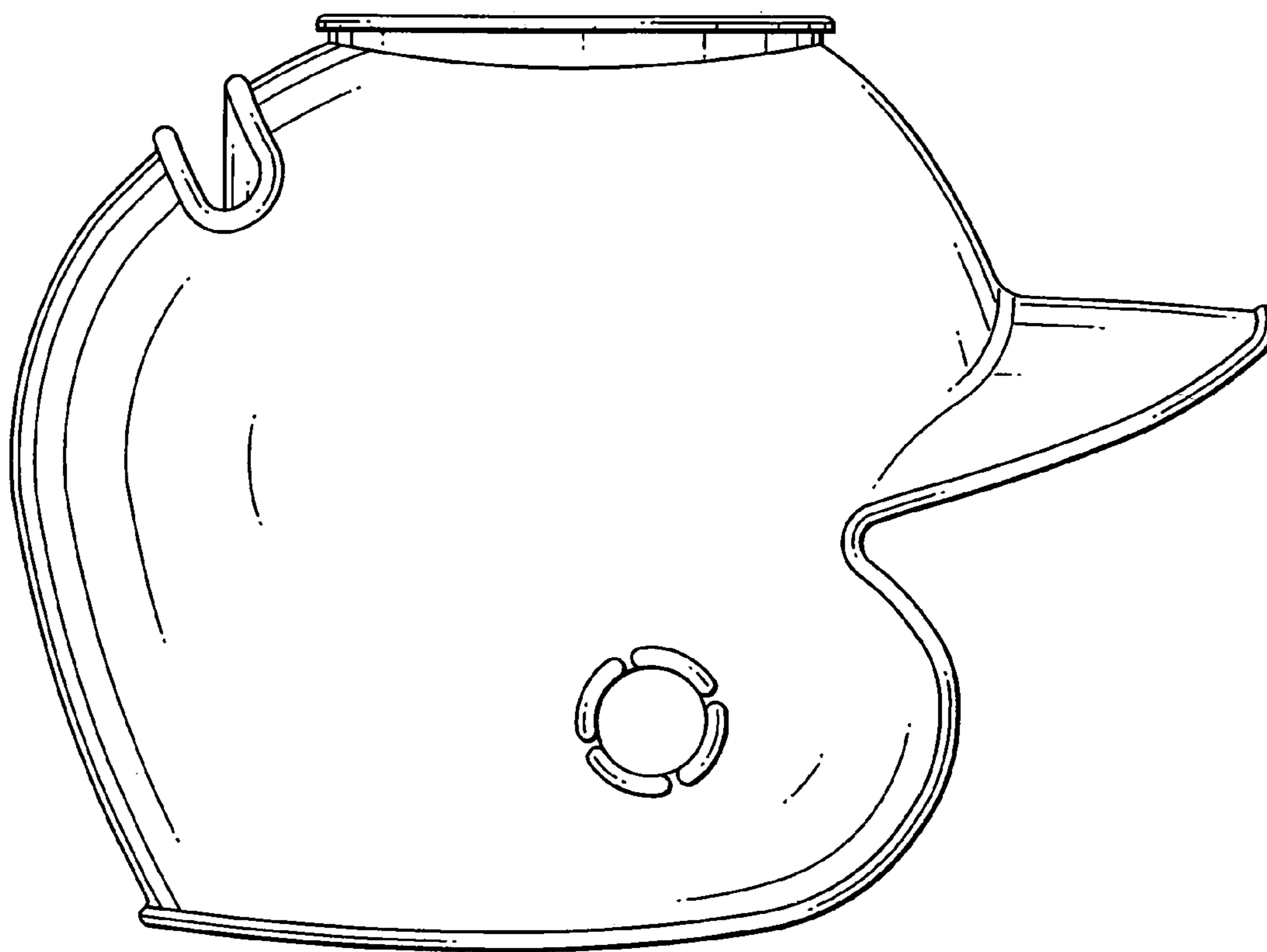


FIG. 2

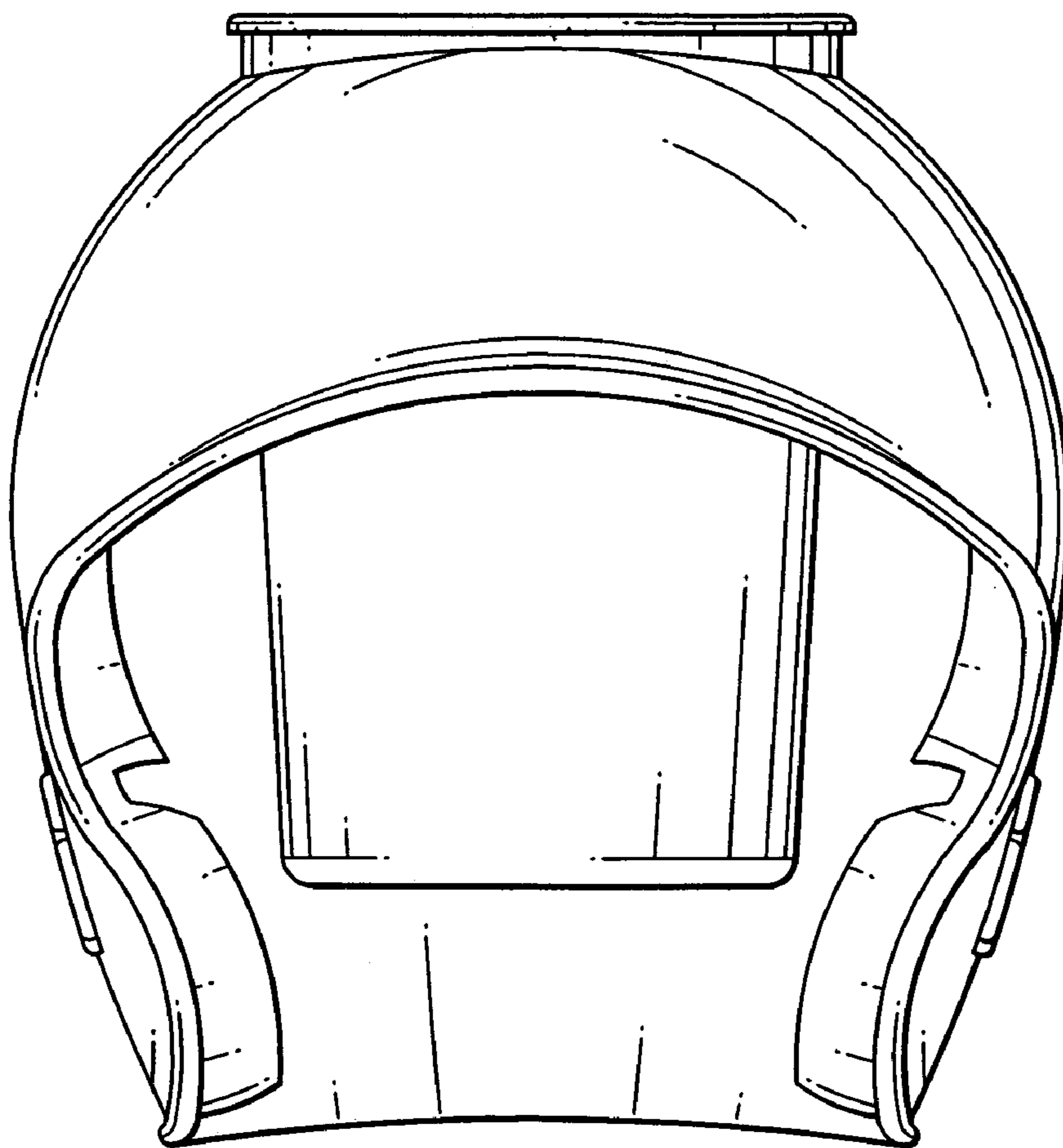


FIG. 3

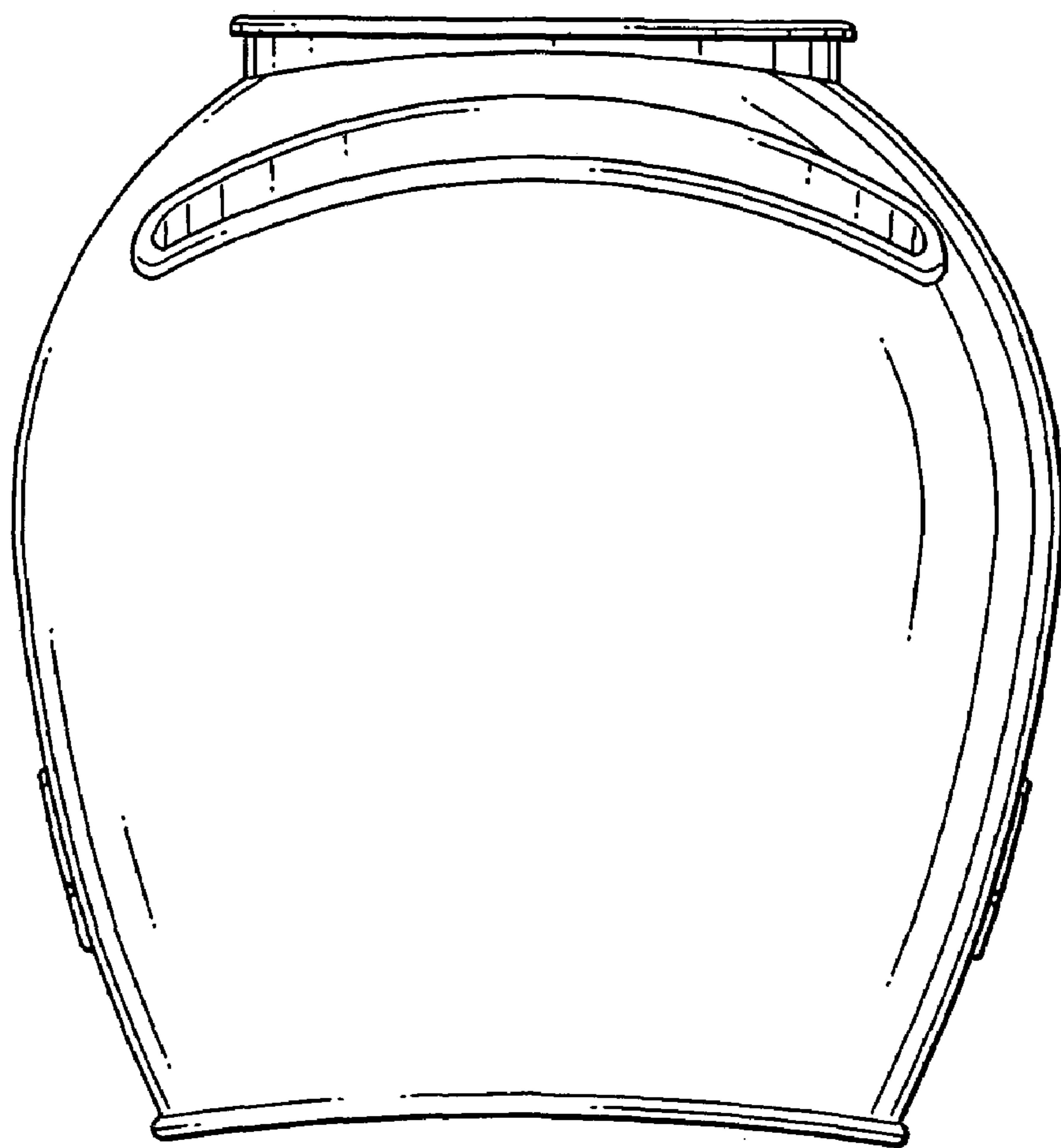


FIG. 4

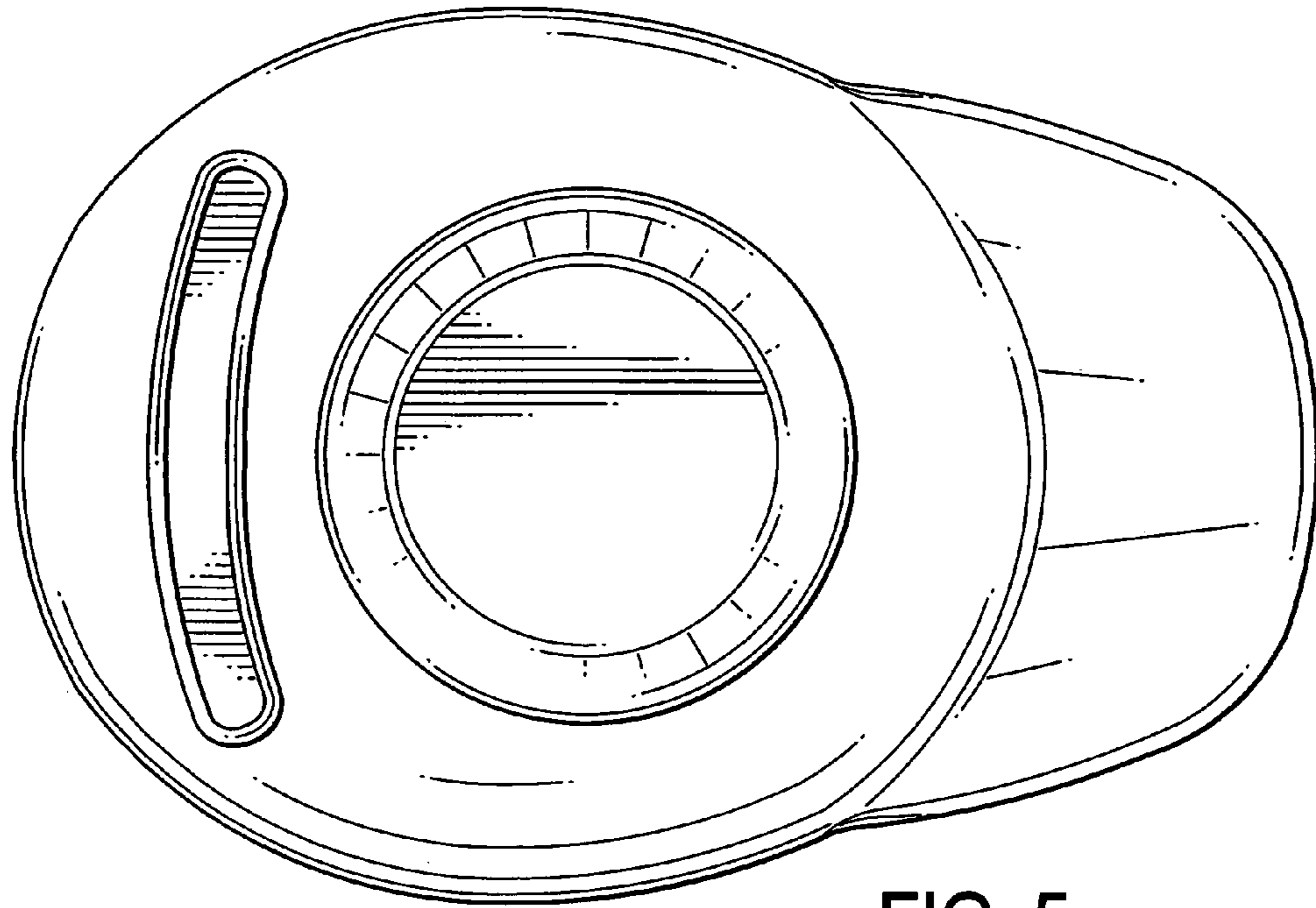


FIG. 5

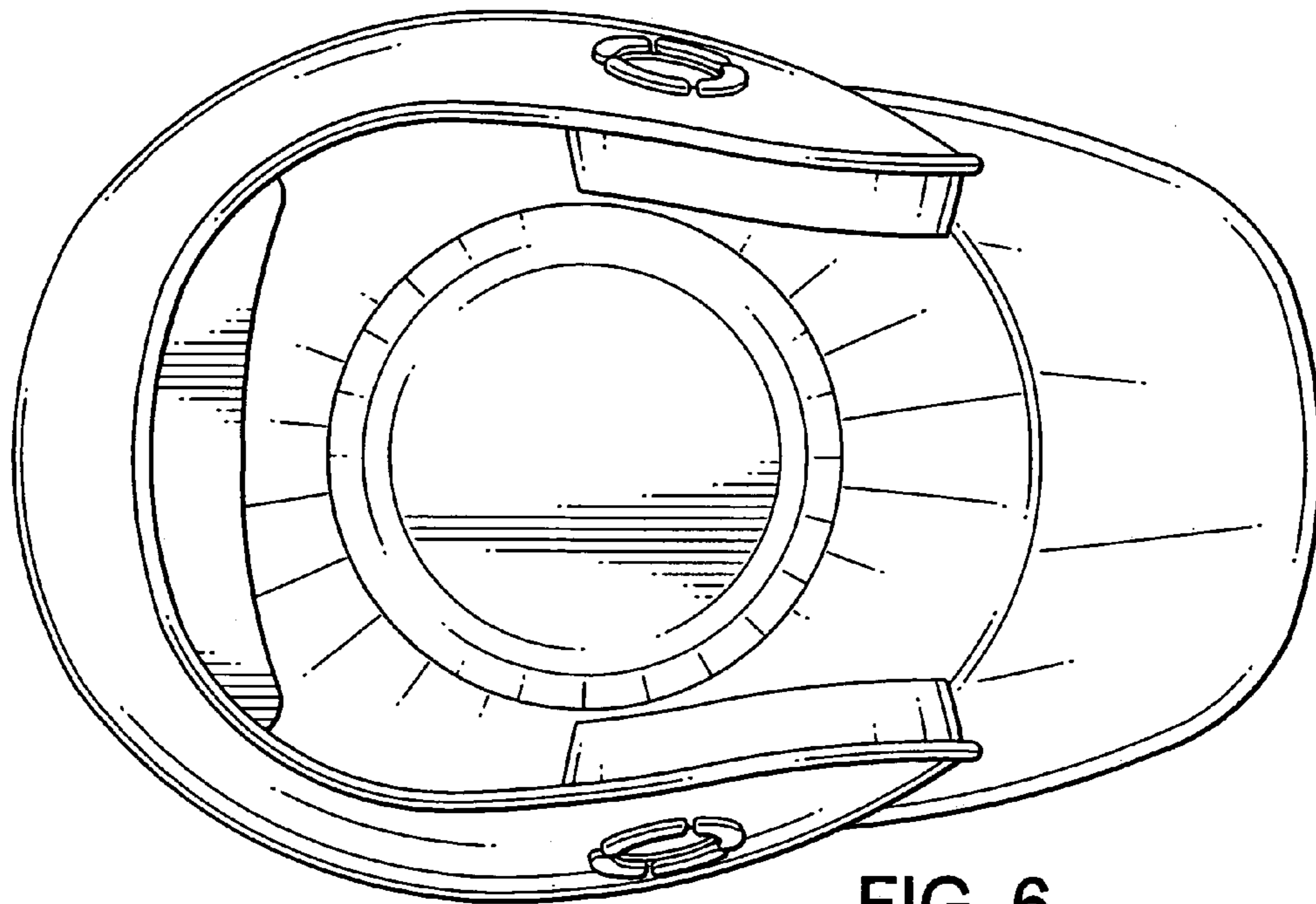


FIG. 6