



US00D607929S

(12) **United States Design Patent**  
**Suzuki et al.**

(10) **Patent No.:** **US D607,929 S**  
(45) **Date of Patent:** **\*\* Jan. 12, 2010**

(54) **COVER FOR A PRINTER**

(75) Inventors: **Jiro Suzuki**, Nagoya (JP); **Mitsuharu Hattori**, Nagoya (JP)

(73) Assignee: **Brother Industries, Ltd.**, Nagoya (JP)

(\*\*) Term: **14 Years**

(21) Appl. No.: **29/290,613**

(22) Filed: **Dec. 26, 2007**

(30) **Foreign Application Priority Data**

Jul. 2, 2007 (JP) ..... 2007-017852

(51) **LOC (9) Cl.** ..... **18-02**

(52) **U.S. Cl.** ..... **D18/56**

(58) **Field of Classification Search** ..... D18/14,  
D18/18, 19, 40, 43, 50, 55-59, 99; 347/7,  
347/20, 29, 30, 32, 33, 50, 62, 85-87, 92-94;  
D19/86-87, 92

See application file for complete search history.

(56) **References Cited**

**U.S. PATENT DOCUMENTS**

D393,278 S \* 4/1998 Lee ..... D18/50  
5,816,723 A \* 10/1998 Takahashi et al. .... 400/624  
D402,280 S \* 12/1998 Goodman ..... D14/458

D444,494 S \* 7/2001 Shimoki et al. .... D18/19  
D483,802 S \* 12/2003 Hattori ..... D18/50  
D515,623 S \* 2/2006 Hattori ..... D18/55  
D541,849 S \* 5/2007 King et al. .... D18/50  
D551,701 S \* 9/2007 Kobayashi ..... D18/56

\* cited by examiner

*Primary Examiner*—T. Chase Nelson  
*Assistant Examiner*—Susan E Krakower

(74) *Attorney, Agent, or Firm*—Oliff & Berridge, PLC

(57) **CLAIM**

The ornamental design for a cover for a printer, as shown and described.

**DESCRIPTION**

FIG. 1 is a perspective view of a cover for a printer;

FIG. 2 is a bottom view thereof;

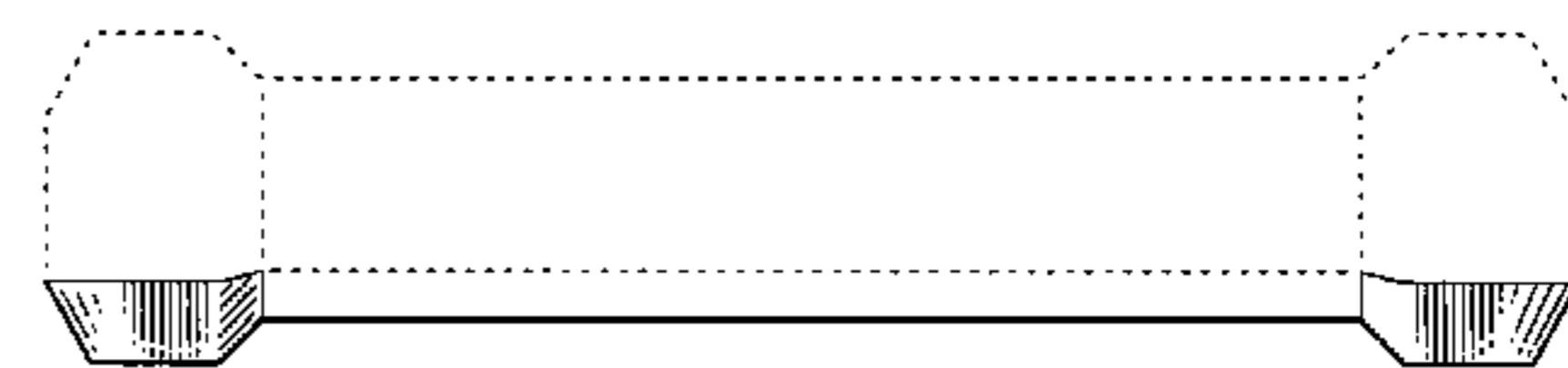
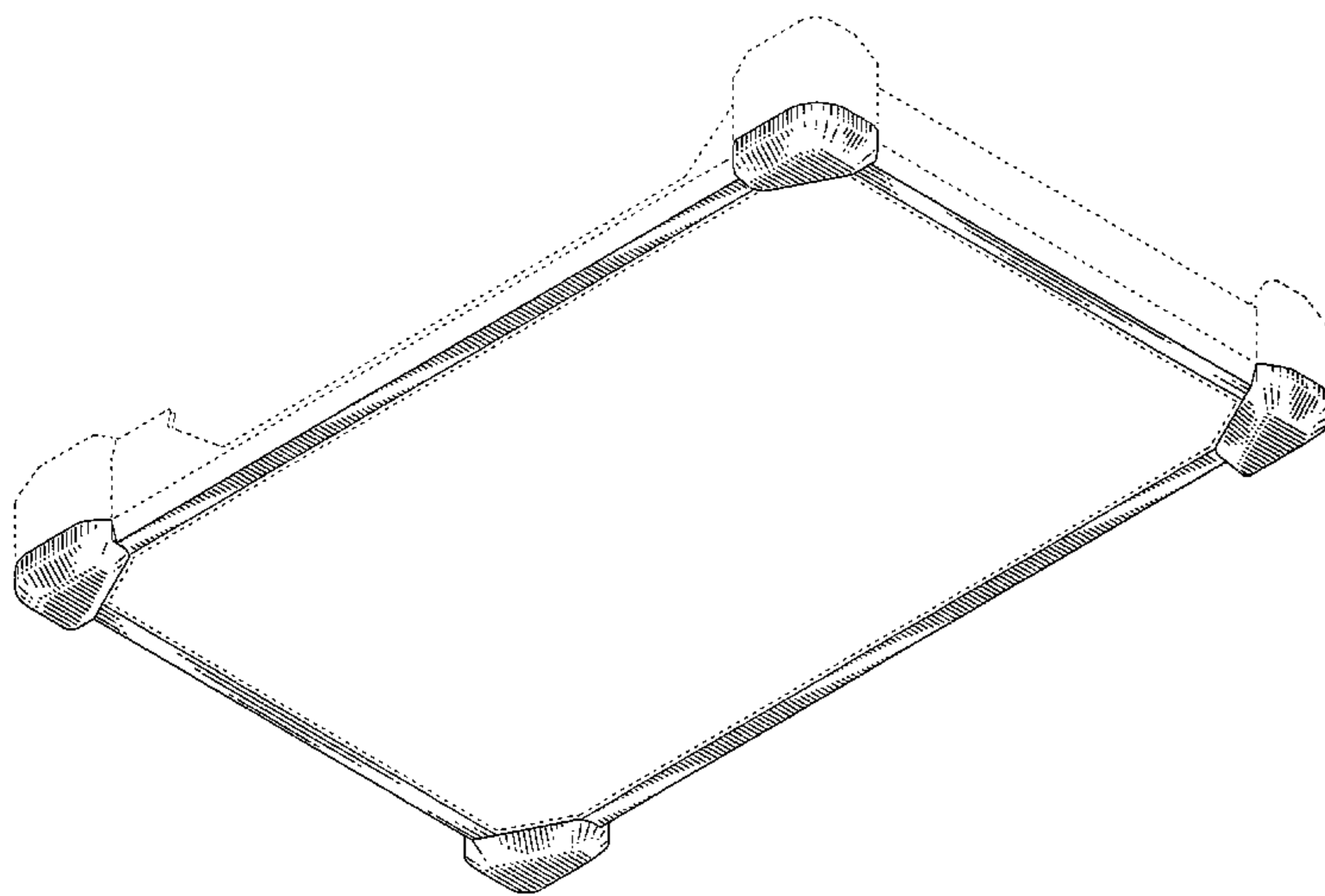
FIG. 3 is a front view thereof, the bottom view being a mirror image;

FIG. 4 is a side view thereof, the opposite side view being a mirror image; and,

FIG. 5 is an enlarged view taken within box 5 of FIG. 2.

The broken lines depict environmental subject matter only and form no part of the claimed design.

**1 Claim, 4 Drawing Sheets**



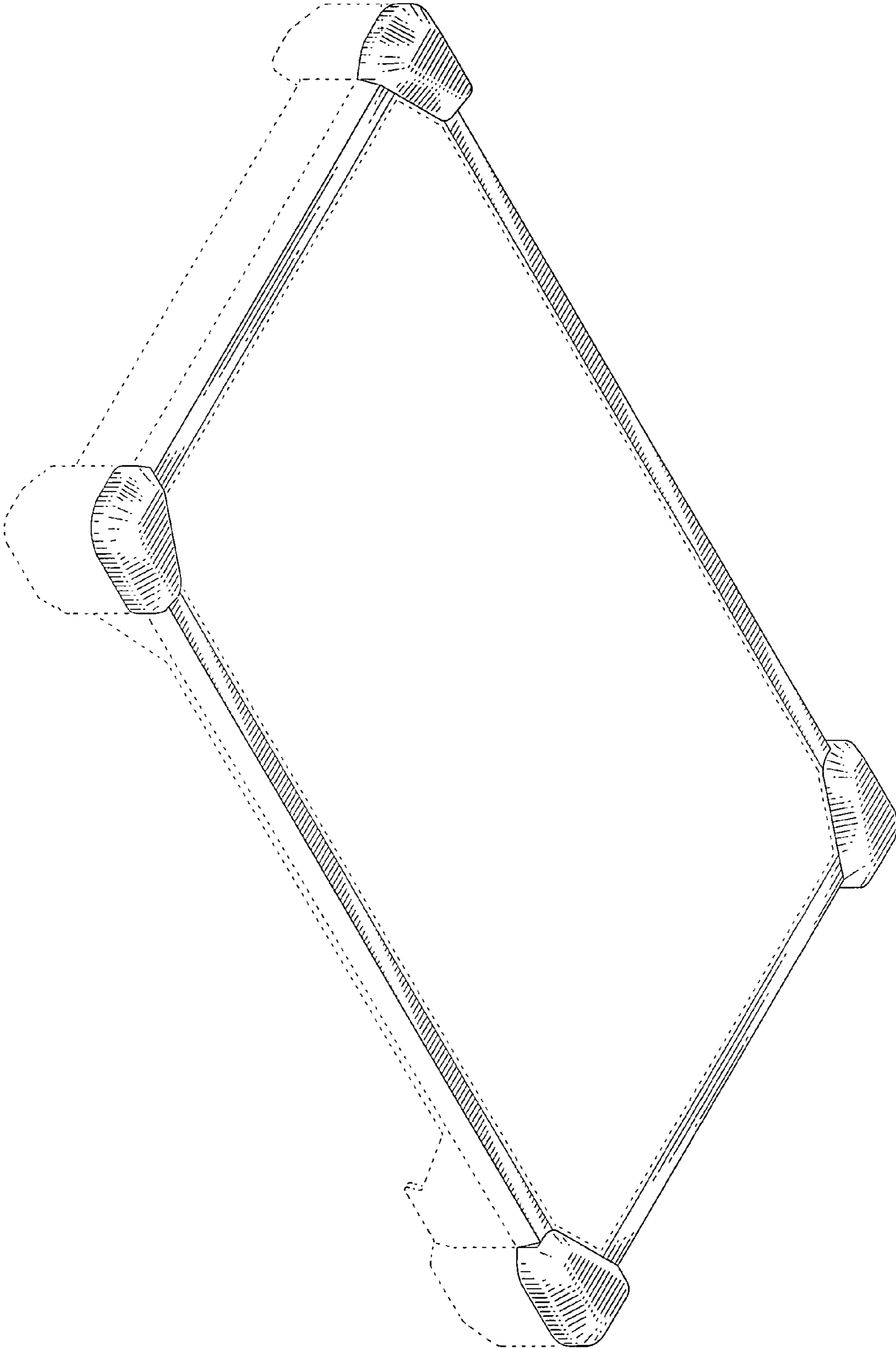


FIG. 1

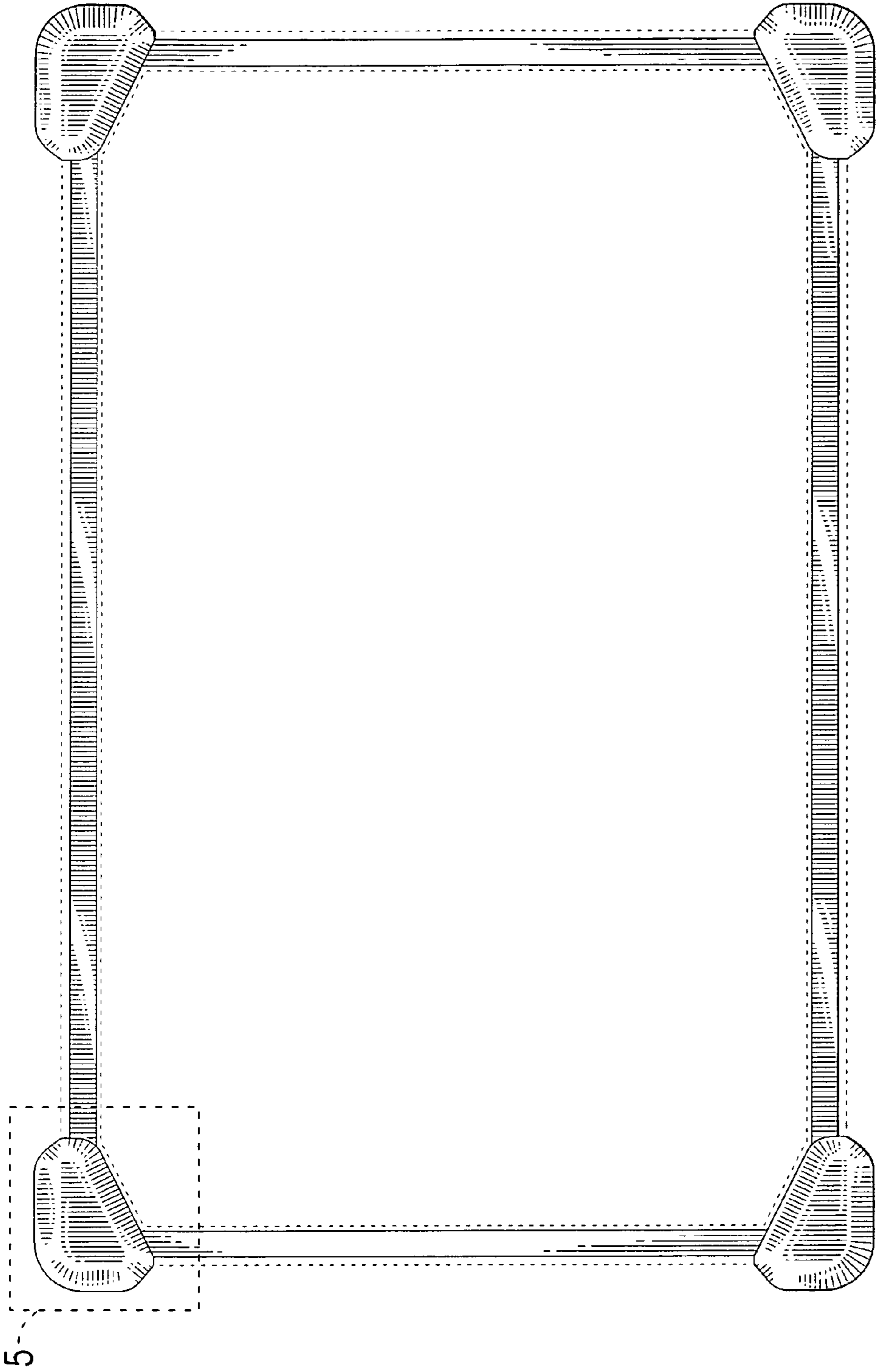


FIG. 2

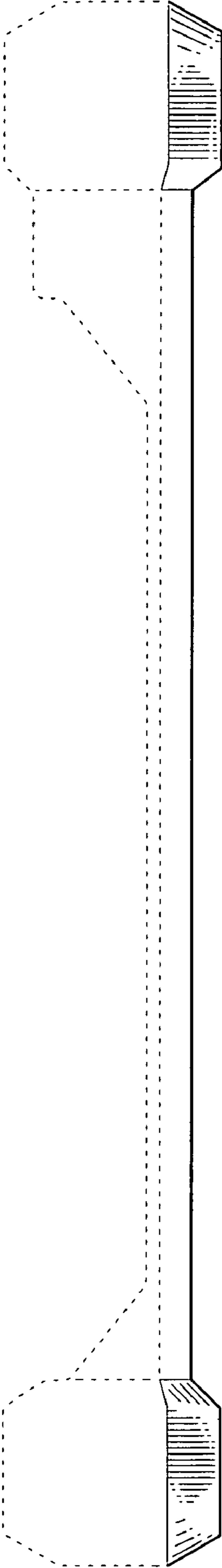


FIG. 3

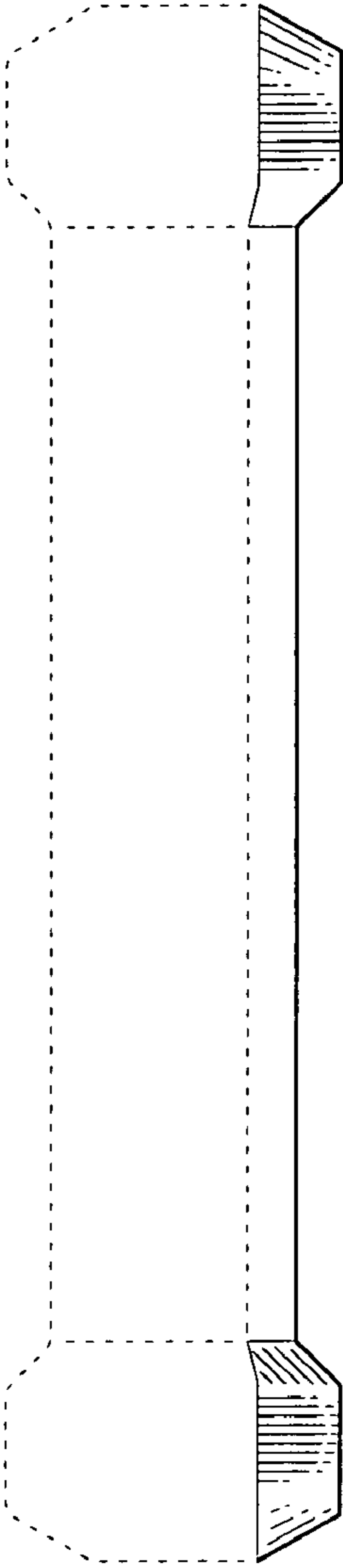


FIG. 4

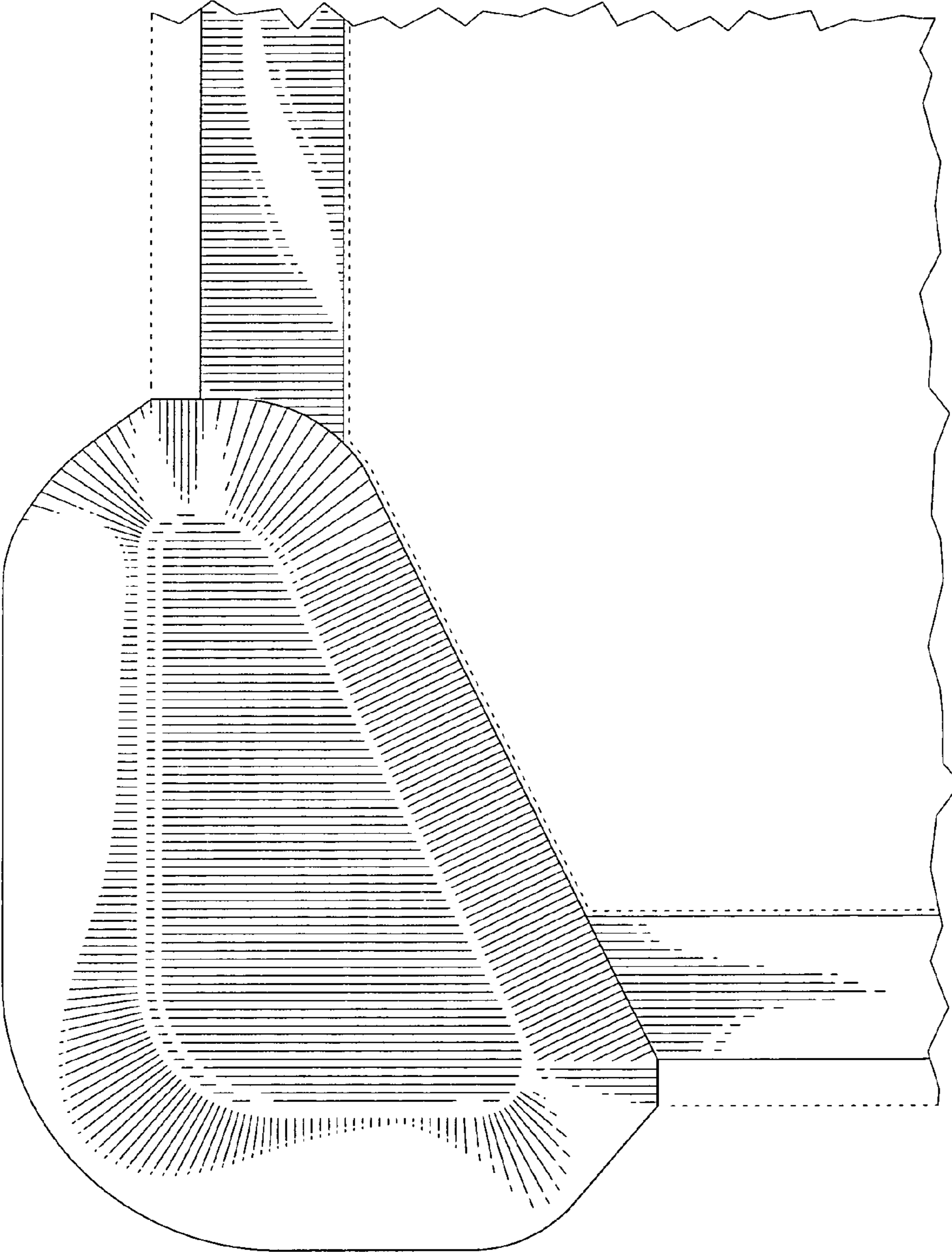


FIG. 5