



US00D607926S

(12) **United States Design Patent**
Miyauchi et al.

(10) **Patent No.:** **US D607,926 S**
(45) **Date of Patent:** **** Jan. 12, 2010**

(54) **PRINTER**

(75) Inventors: **Hiroto Miyauchi**, Matsumoto (JP);
Hideki Kato, Matsumoto (JP);
Shinichiro Yoshikawa, Matsumoto (JP)

(73) Assignee: **Seiko Epson Corporation** (JP)

(**) Term: **14 Years**

(21) Appl. No.: **29/307,379**

(22) Filed: **Apr. 16, 2008**

(30) **Foreign Application Priority Data**

Oct. 18, 2007 (JP) 2007-028523

(51) **LOC (9) Cl.** **14-02**

(52) **U.S. Cl.** **D18/55**

(58) **Field of Classification Search** D18/36-37,
D18/50, 54, 54.1, 55, 19; D14/420-425,
D14/463-470; 400/613, 613.1-613.4, 690.1-690.4,
400/691-694

See application file for complete search history.

(56) **References Cited**

U.S. PATENT DOCUMENTS

D260,903 S * 9/1981 Overman D18/36
D268,933 S * 5/1983 Matsushima D18/36
D304,203 S * 10/1989 Kato et al. D18/55

D314,787 S * 2/1991 Gotham D18/36
D352,054 S * 11/1994 Yomo et al. D18/36
D358,603 S * 5/1995 Dodge et al. D18/55
D509,240 S * 9/2005 Kimura et al. D18/50
D522,045 S * 5/2006 Lee et al. D18/55
D522,572 S * 6/2006 Lee et al. D18/55
D527,415 S * 8/2006 Omuro et al. D18/50
D532,451 S * 11/2006 Ito et al. D18/55
D538,334 S * 3/2007 Lee et al. D18/55

* cited by examiner

Primary Examiner—Cathy Anne MacCormac

(74) *Attorney, Agent, or Firm*—Harness, Dickey & Pierce,
P.L.C.

(57) **CLAIM**

The ornamental design for a printer, as shown and described.

DESCRIPTION

FIG. 1 is a perspective view of a printer, as viewed from the top, front and right side, embodying our new design;

FIG. 2 is a front view thereof;

FIG. 3 is a rear view thereof;

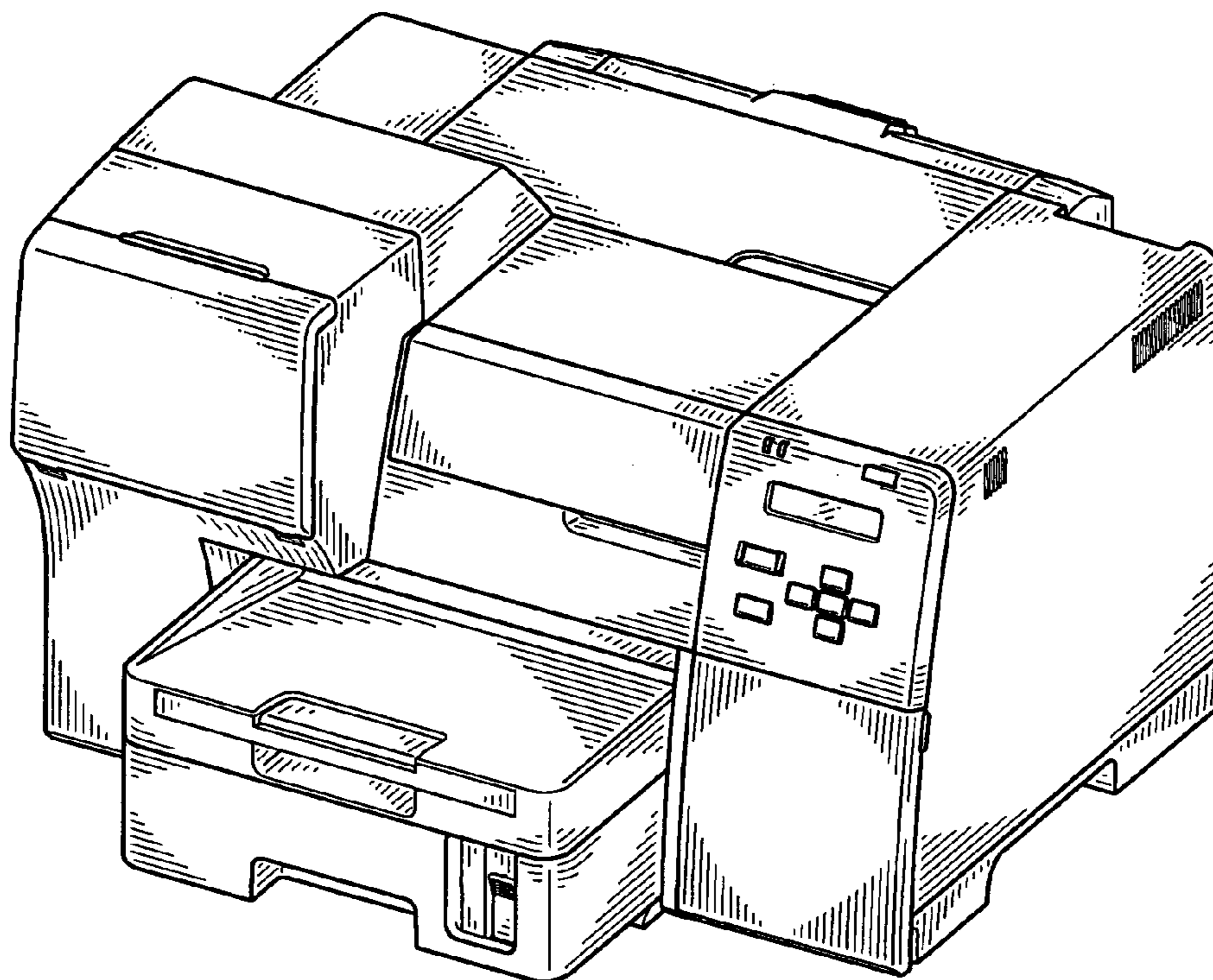
FIG. 4 is a left side view thereof;

FIG. 5 is a right side view thereof;

FIG. 6 is a top view thereof; and,

FIG. 7 is a bottom view thereof.

1 Claim, 4 Drawing Sheets



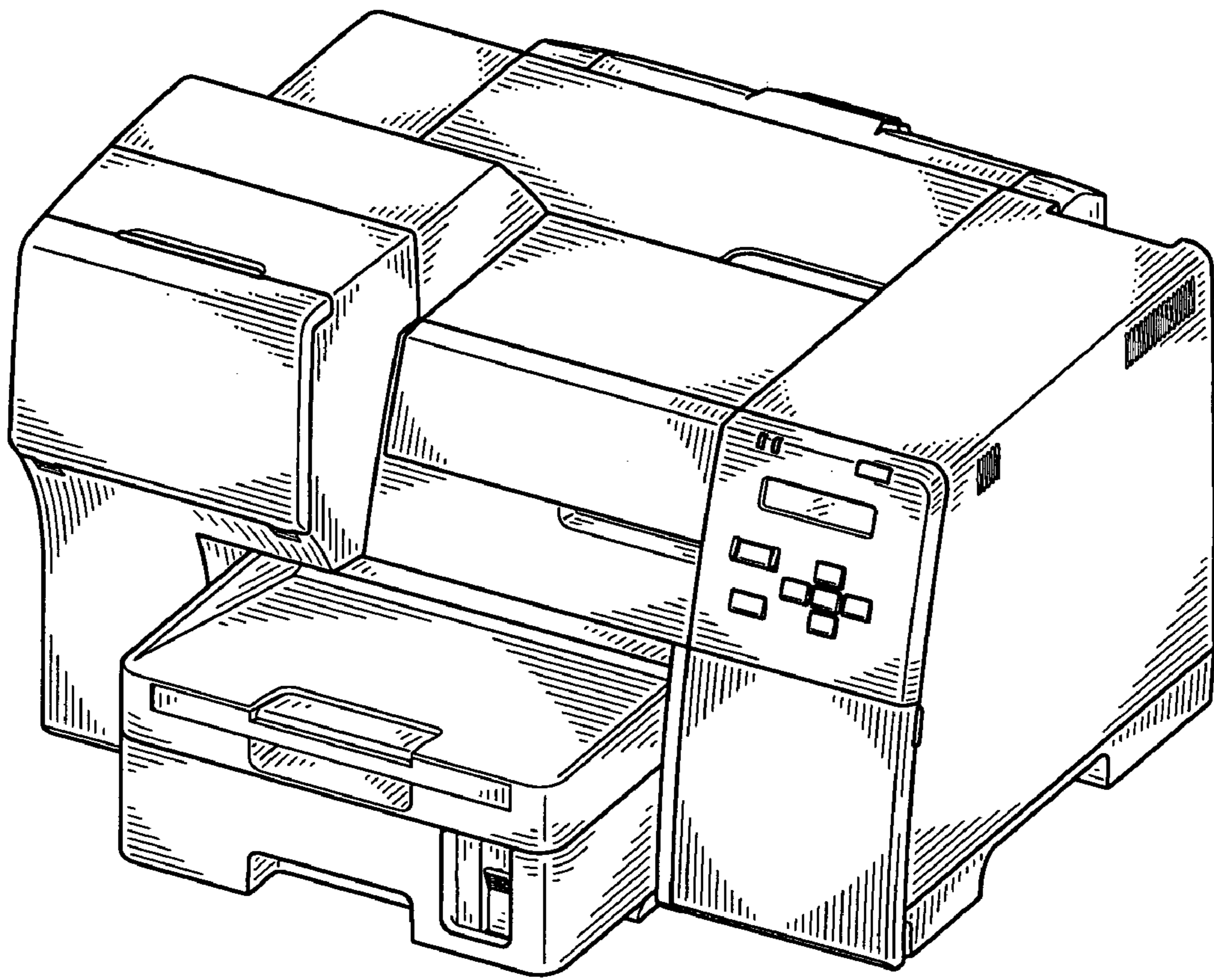


FIG. 1

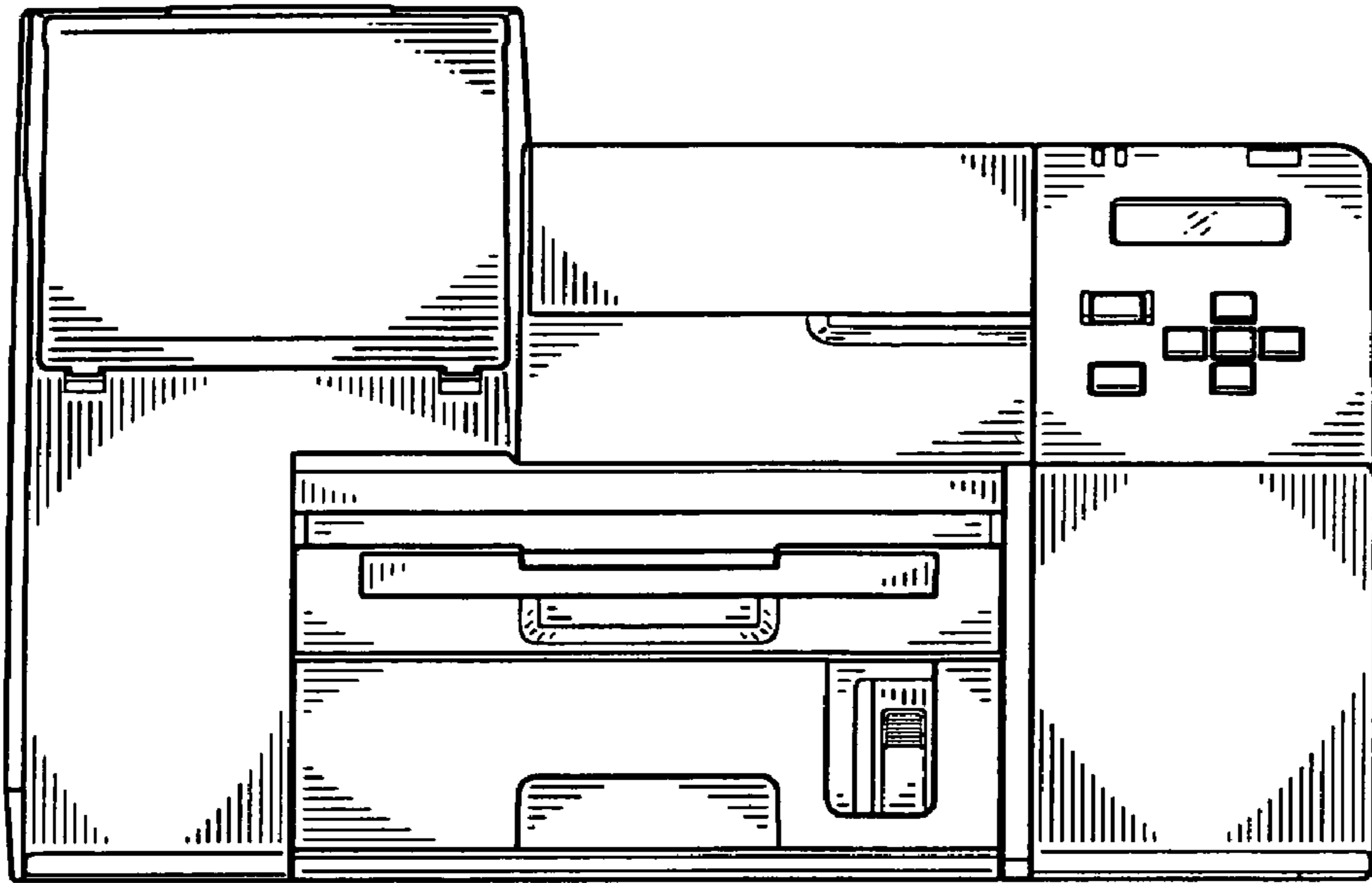


FIG. 2

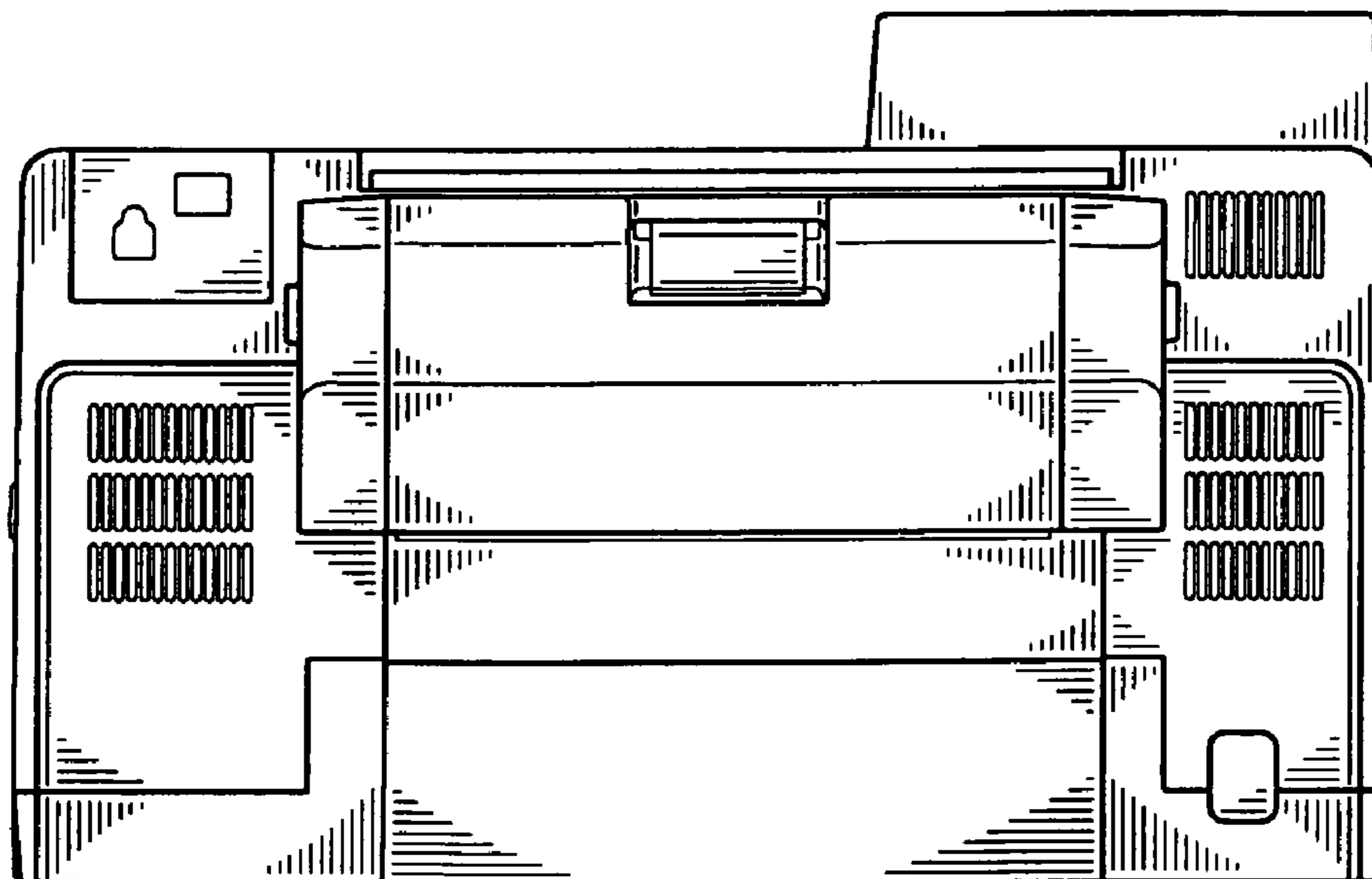


FIG. 3

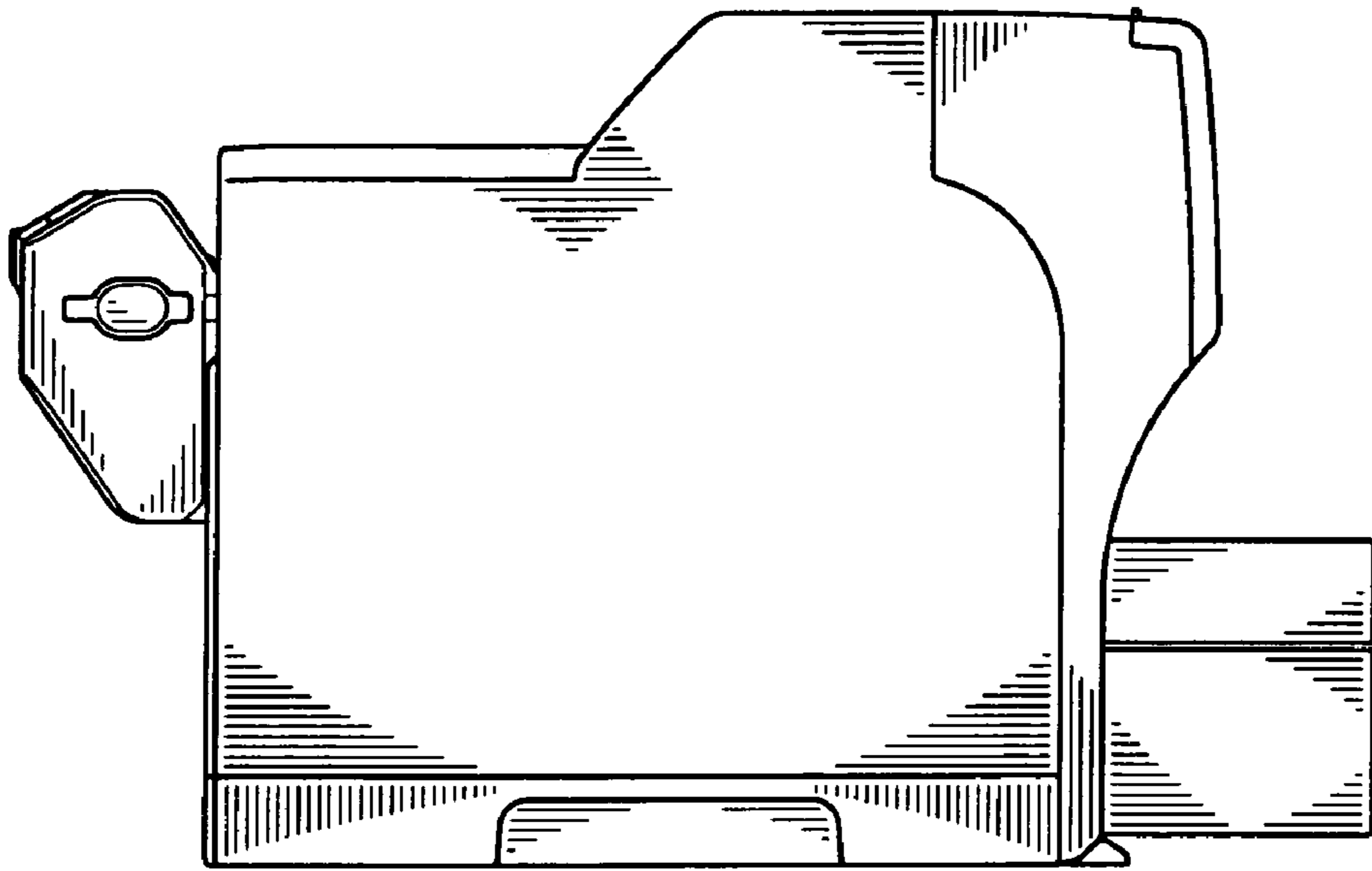


FIG. 4

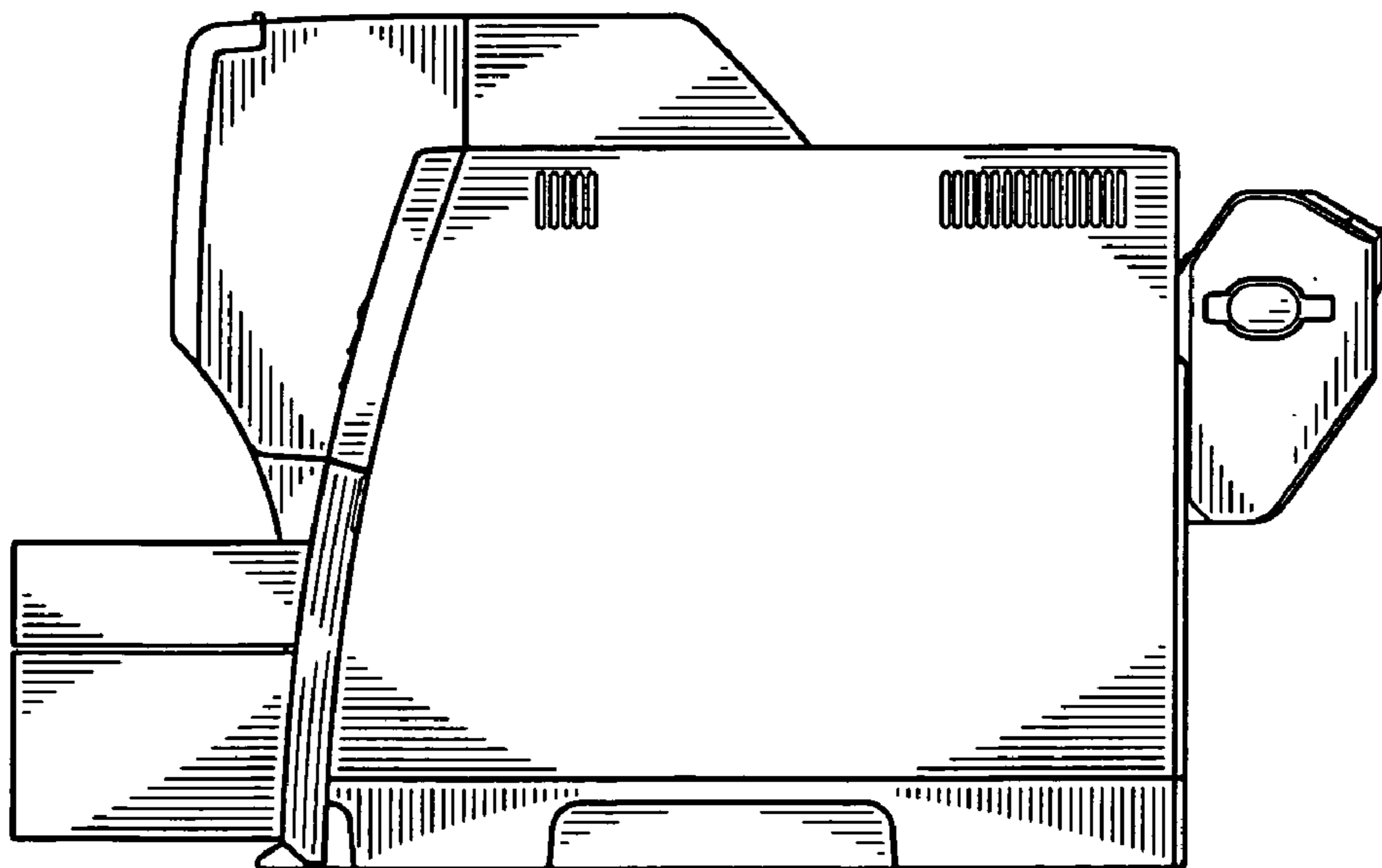


FIG. 5

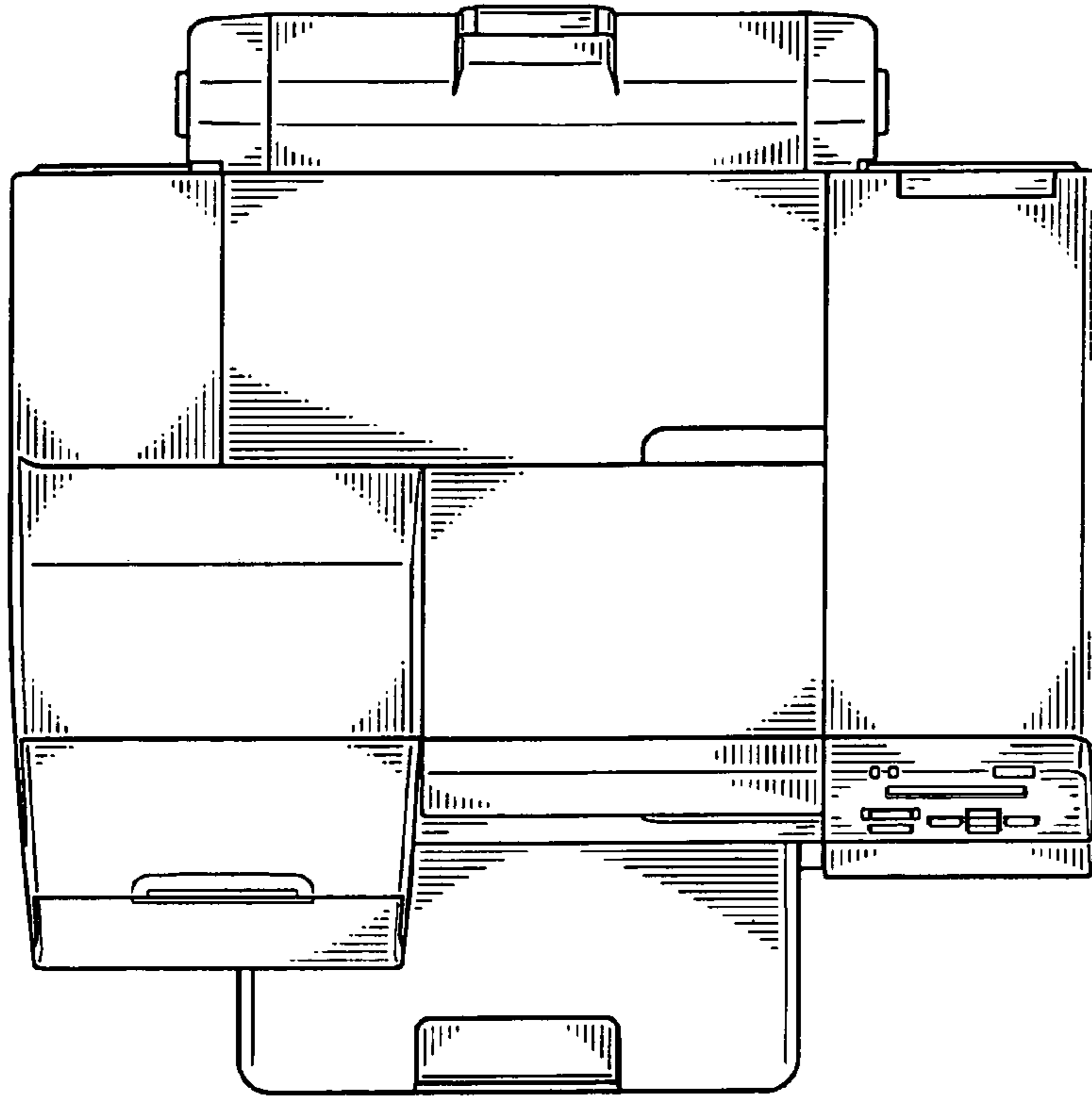


FIG. 6

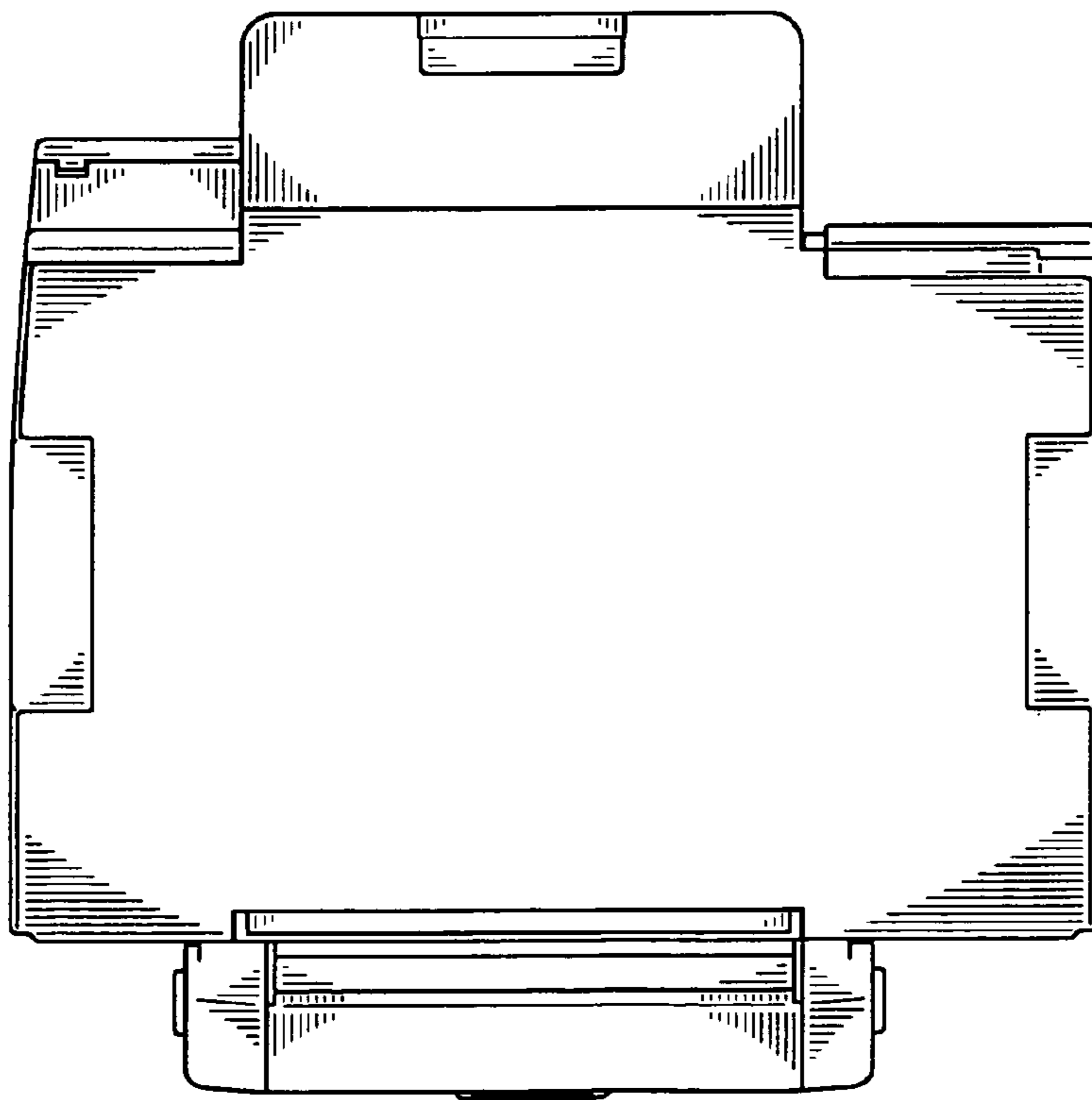


FIG. 7