

US00D607922S

(12) **United States Design Patent**
Sato

(10) **Patent No.:** **US D607,922 S**
(45) **Date of Patent:** **** Jan. 12, 2010**

(54) **ELECTRONIC DRUM**

(75) Inventor: **Daizo Sato**, Hamamatsu (JP)

(73) Assignee: **Yamaha Corporation**, Hamamatsu-shi (JP)

(**) Term: **14 Years**

(21) Appl. No.: **29/337,817**

(22) Filed: **May 29, 2009**

(30) **Foreign Application Priority Data**

Mar. 30, 2009 (JP) 2009-007147

(51) **LOC (9) Cl.** **17-04**

(52) **U.S. Cl.** **D17/22**

(58) **Field of Classification Search** D17/22,
D17/99; 84/411 R, 420, 411 P
See application file for complete search history.

(56) **References Cited**

U.S. PATENT DOCUMENTS

D316,422 S * 4/1991 Mine D17/22
D406,860 S * 3/1999 Ohno D17/22
6,538,185 B1 * 3/2003 Stratton 84/422.1
D478,874 S * 8/2003 Moll et al. D13/167
D520,553 S * 5/2006 Bogdan et al. D17/20

D534,202 S * 12/2006 Broyles, Jr. D17/99
D569,896 S * 5/2008 Bergese et al. D17/22
D592,696 S * 5/2009 Gooday D17/20

* cited by examiner

Primary Examiner—Ian Simmons

Assistant Examiner—R. Johnson

(74) *Attorney, Agent, or Firm*—Sughrue Mion, PLLC

(57) **CLAIM**

The ornamental design for an electronic drum, as shown and described.

DESCRIPTION

FIG. 1 is a top perspective view of the electronic drum according to the present invention;

FIG. 2 is a top, plan view thereof;

FIG. 3 is a front, elevational view thereof;

FIG. 4 is a bottom, plan view thereof;

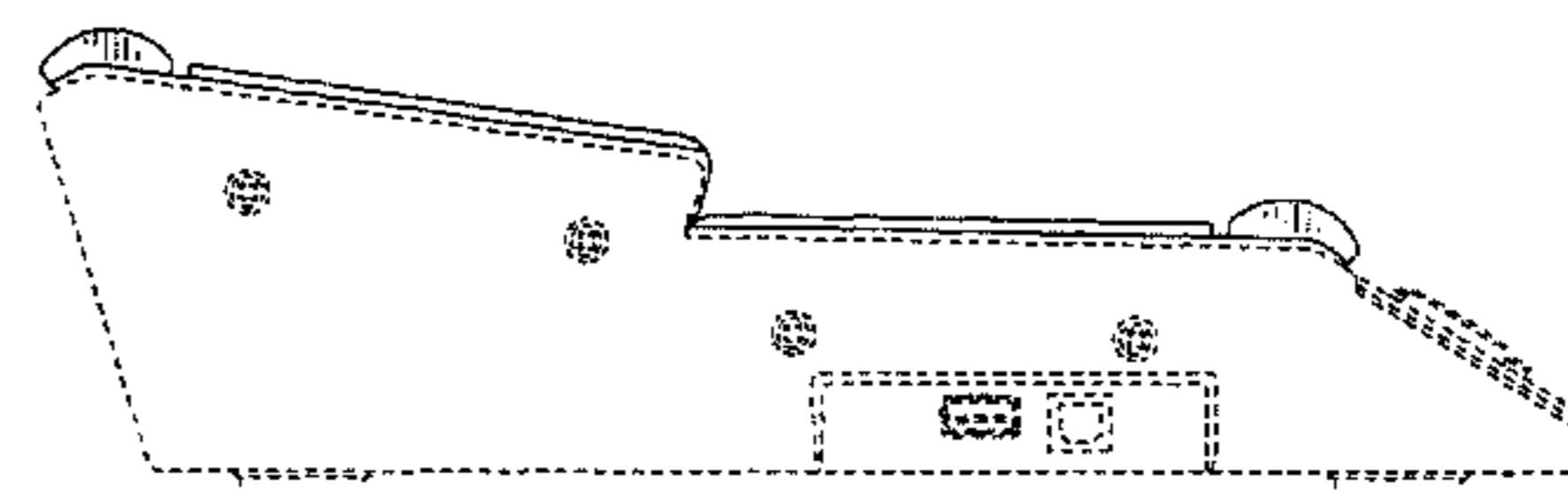
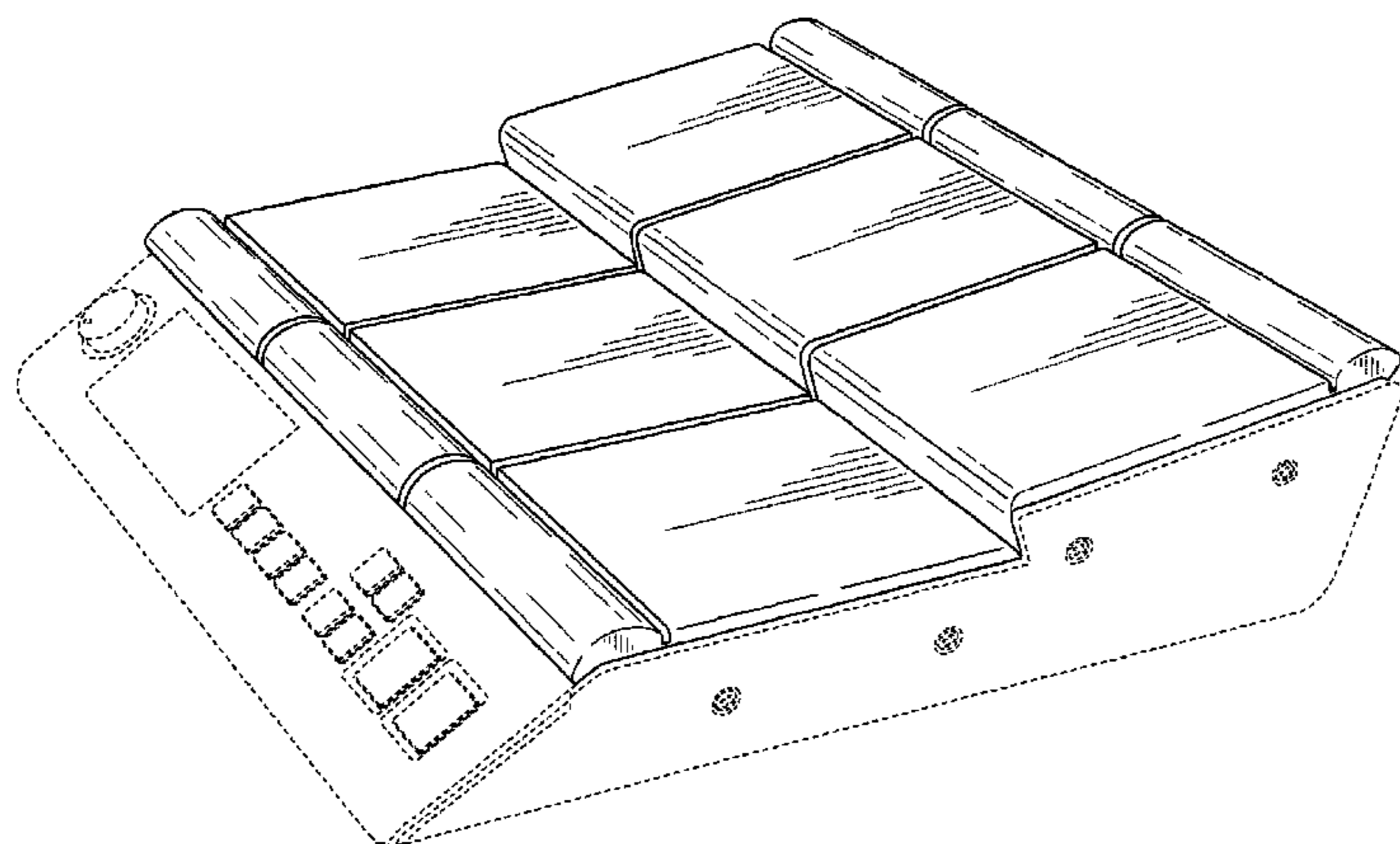
FIG. 5 is a left side, elevational view thereof;

FIG. 6 is a right side, elevational view thereof; and,

FIG. 7 is a rear, elevational view thereof.

The broken lines are used to show environmental structure only, and form no part of the claimed design.

1 Claim, 4 Drawing Sheets



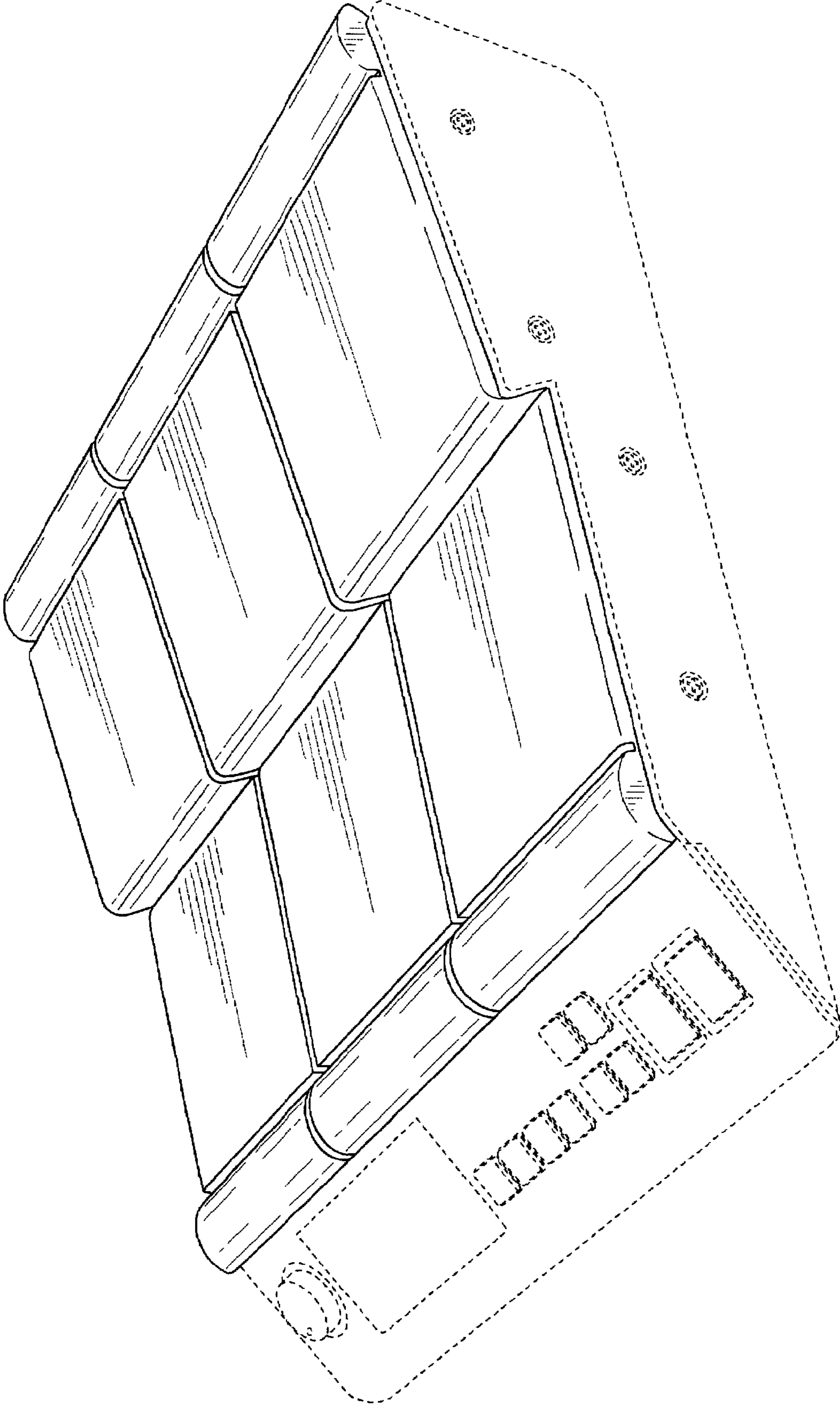


FIG. 1

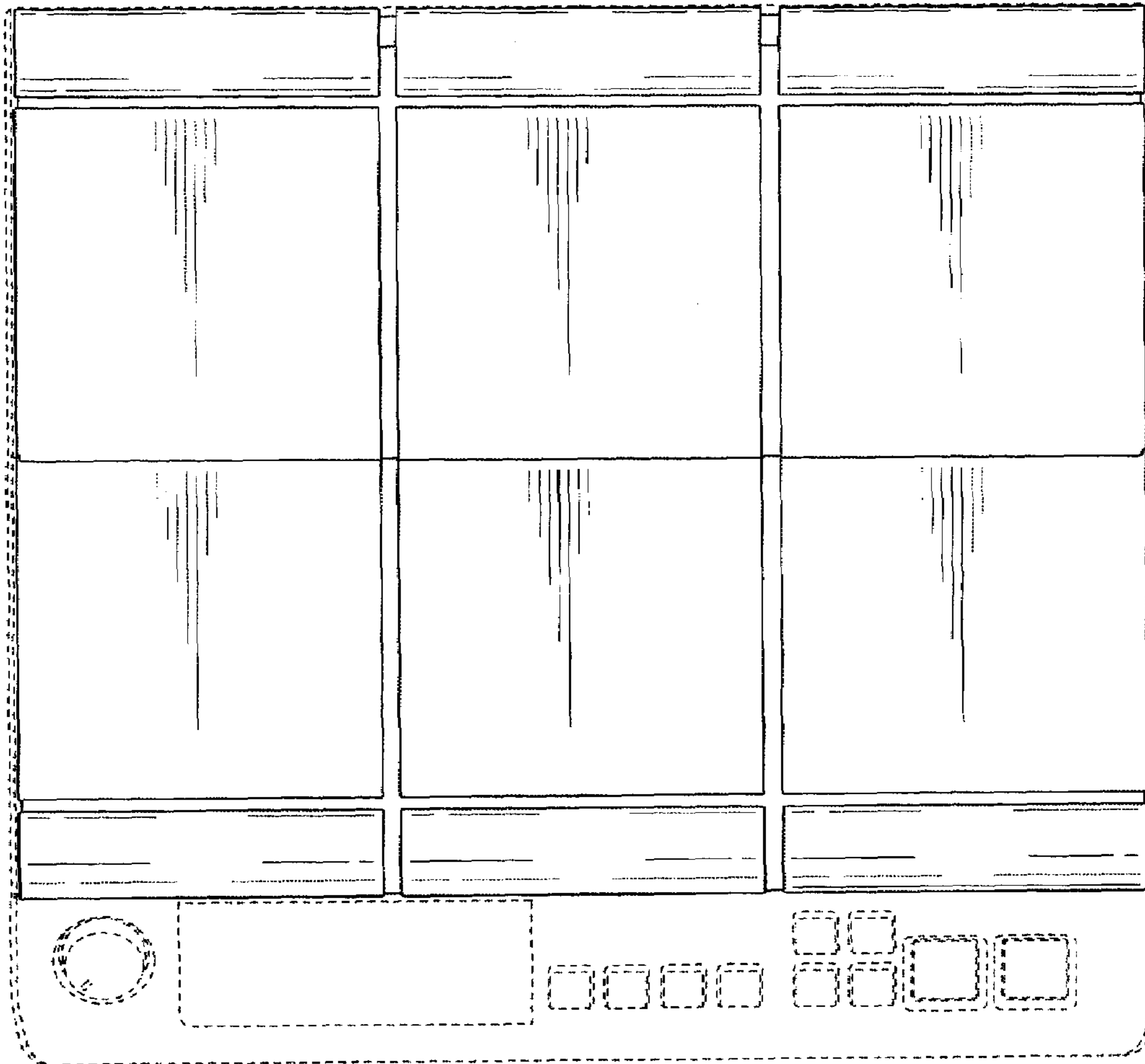


FIG. 2

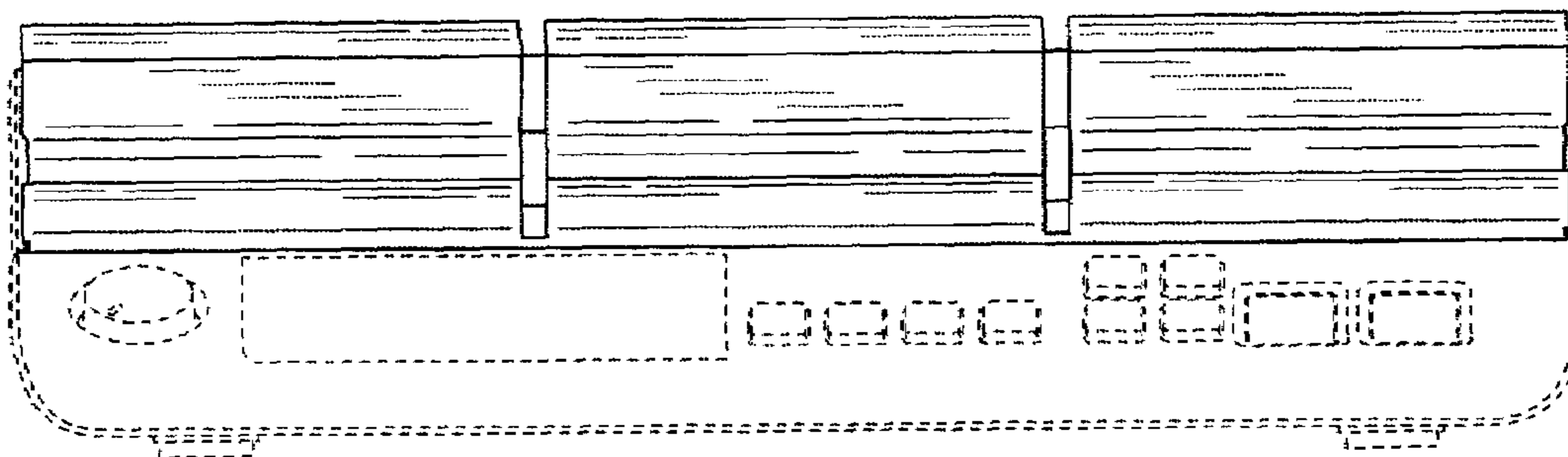


FIG. 3

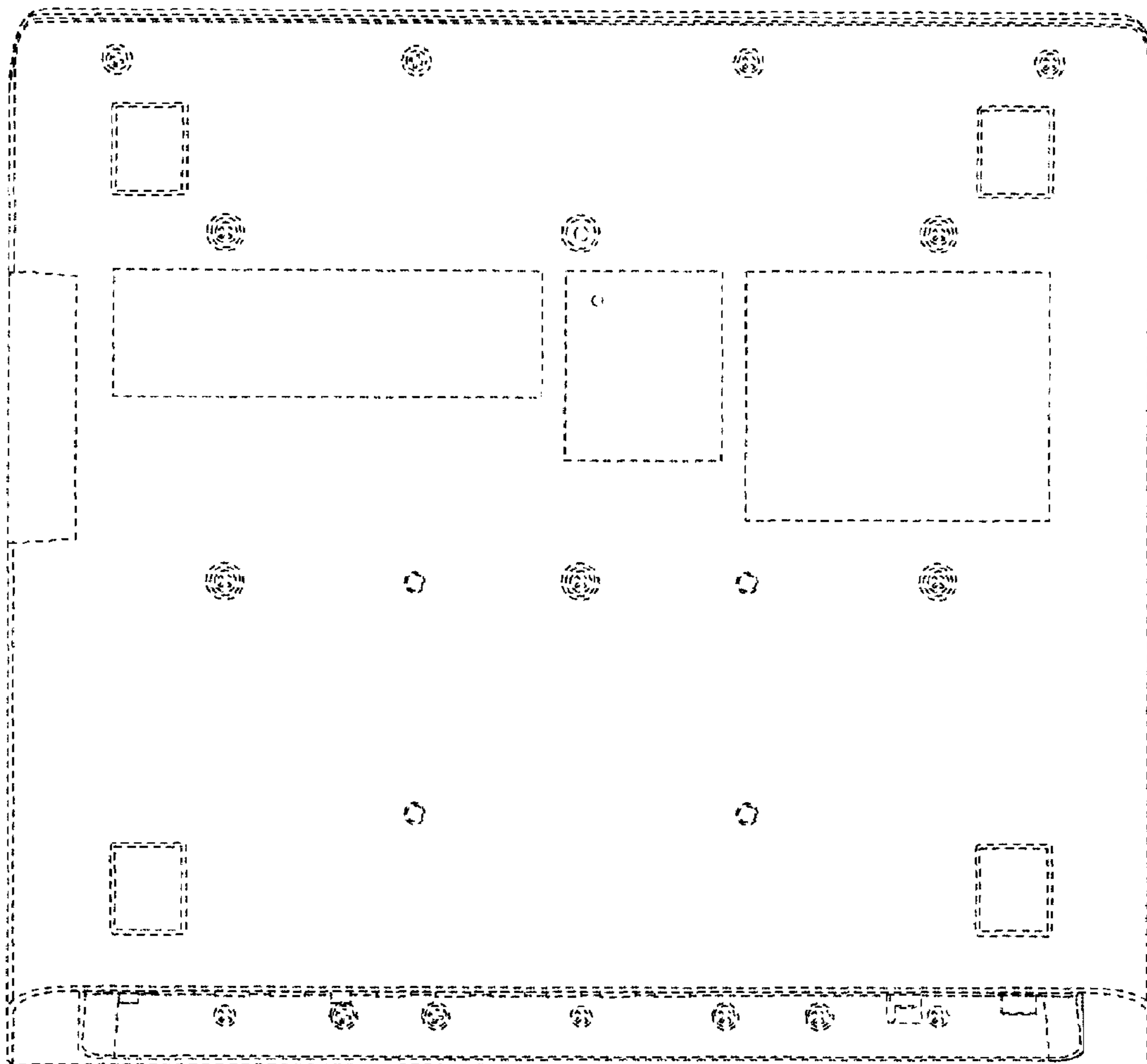


FIG. 4

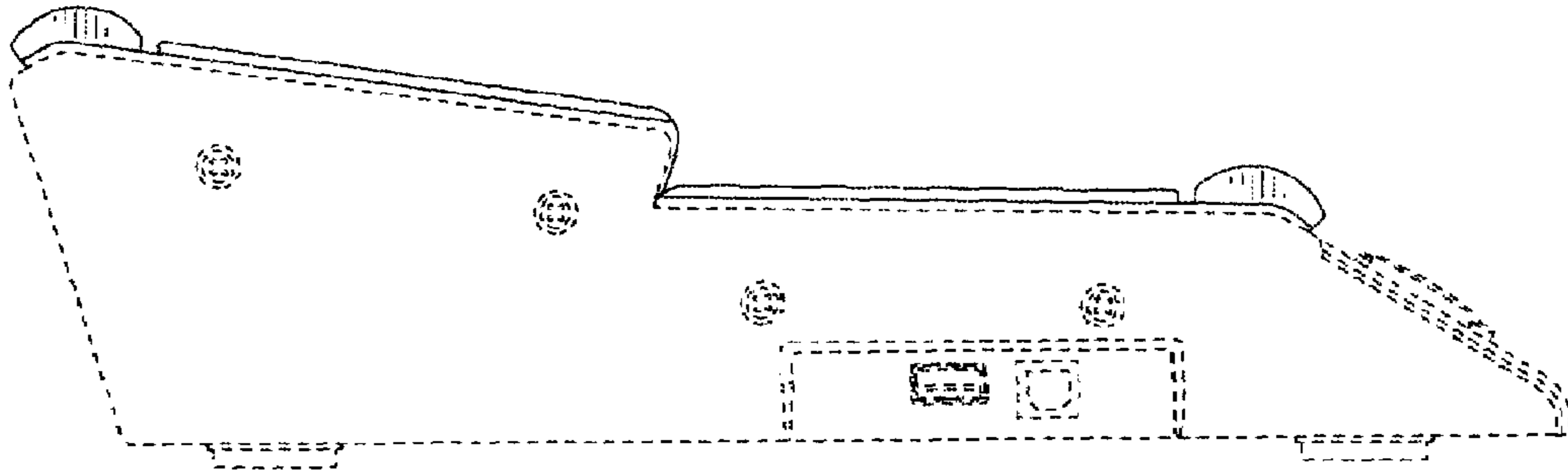


FIG. 5

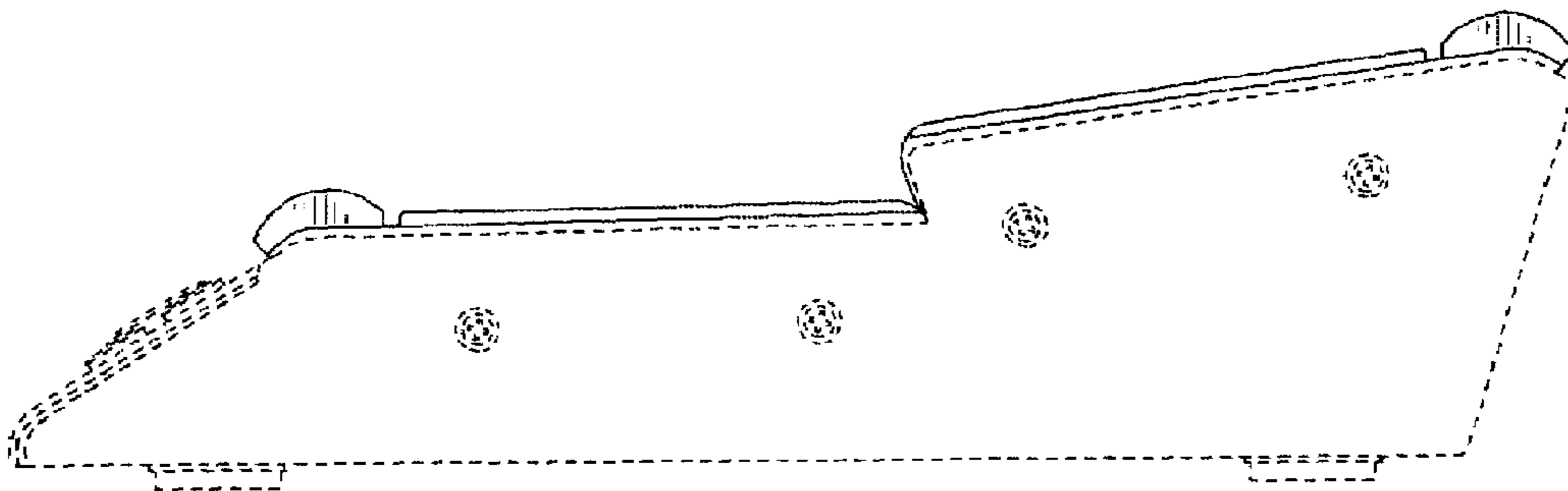


FIG. 6

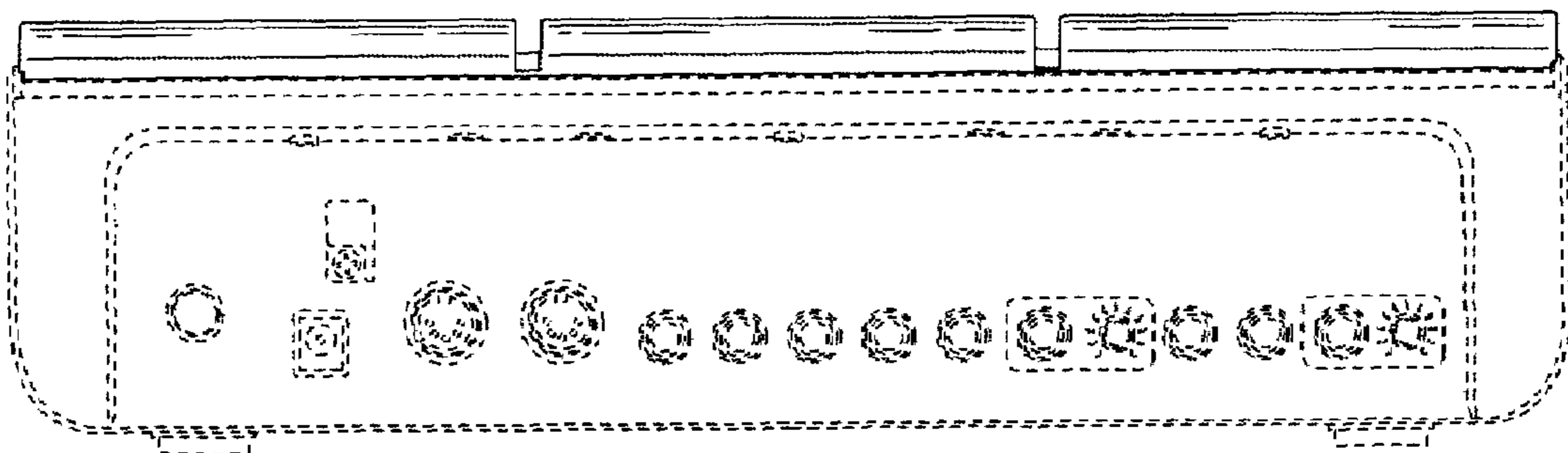


FIG. 7