



US00D607916S

(12) **United States Design Patent**  
**Orion**

(10) **Patent No.:** **US D607,916 S**  
(45) **Date of Patent:** **\*\* Jan. 12, 2010**

(54) **DOUBLE-SIDED SCREEN**

2006/0011309 A1\* 1/2006 Vicari et al. .... 160/24

(75) Inventor: **Storm Orion**, Pittsburgh, PA (US)

\* cited by examiner

(73) Assignee: **Sima Products Corporation**, Oakmont, PA (US)

*Primary Examiner*—Ian Simmons

*Assistant Examiner*—Wan Laymon

(\*\*) Term: **14 Years**

(74) *Attorney, Agent, or Firm*—Buchanan Ingersoll & Rooney PC

(21) Appl. No.: **29/321,137**

(57) **CLAIM**

(22) Filed: **Jul. 11, 2008**

The ornamental design for a double-sided screen, as shown and described.

(51) **LOC (9) Cl.** ..... **16-05**

(52) **U.S. Cl.** ..... **D16/241**

(58) **Field of Classification Search** ..... D16/241, D16/237, 245; D20/10; 160/24, 37, 351, 160/368.1; 359/443, 460–461, 447; 396/3–4  
See application file for complete search history.

**DESCRIPTION**

(56) **References Cited**

U.S. PATENT DOCUMENTS

3,175,796	A *	3/1965	Petrick	.....	248/558
3,187,761	A *	6/1965	De Maio	.....	135/118
3,251,264	A *	5/1966	Jacobson	.....	359/461
4,110,003	A *	8/1978	Zinn	.....	359/461
D323,338	S	1/1992	Court		
D357,492	S	4/1995	Henry		
D366,055	S *	1/1996	Matsunaga et al.	.....	D16/241
5,982,537	A	11/1999	Koizumi et al.		
6,424,463	B1 *	7/2002	Nishitani	.....	359/449
D510,590	S *	10/2005	Safran et al.	.....	D16/241
D568,364	S *	5/2008	Jeoung et al.	.....	D16/241
7,489,443	B2 *	2/2009	Congard et al.	.....	359/461
2005/0185273	A1 *	8/2005	Lee	.....	359/461

FIG. 1 is a rear perspective view of my double-sided screen in a lowered position.

FIG. 2 is a perspective view similar to FIG. 1 showing the double-sided screen in a raised position.

FIG. 3 is a top view thereof.

FIG. 4 is a bottom view thereof.

FIG. 5 is a front view of my double-sided screen in a fully lowered position.

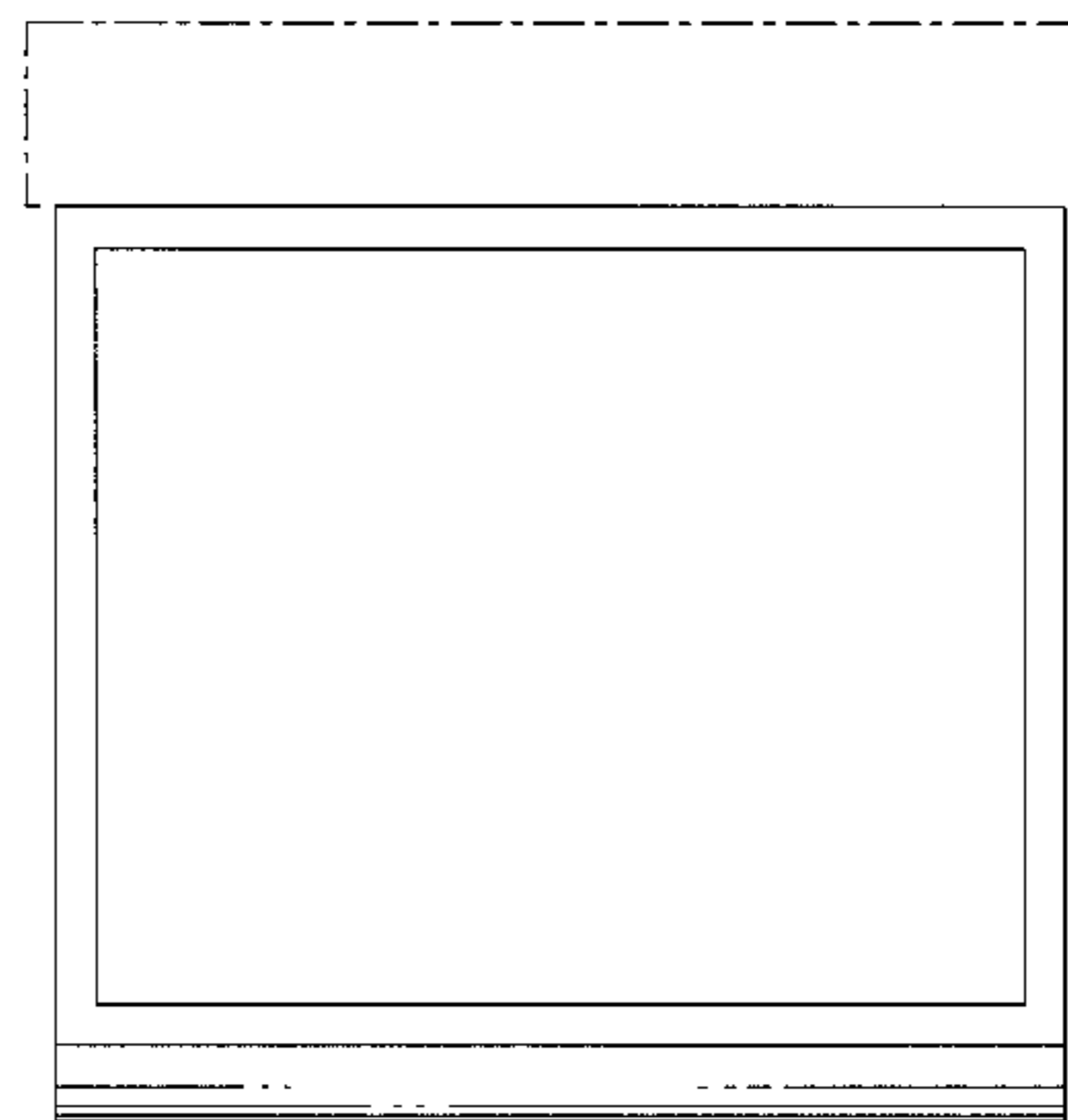
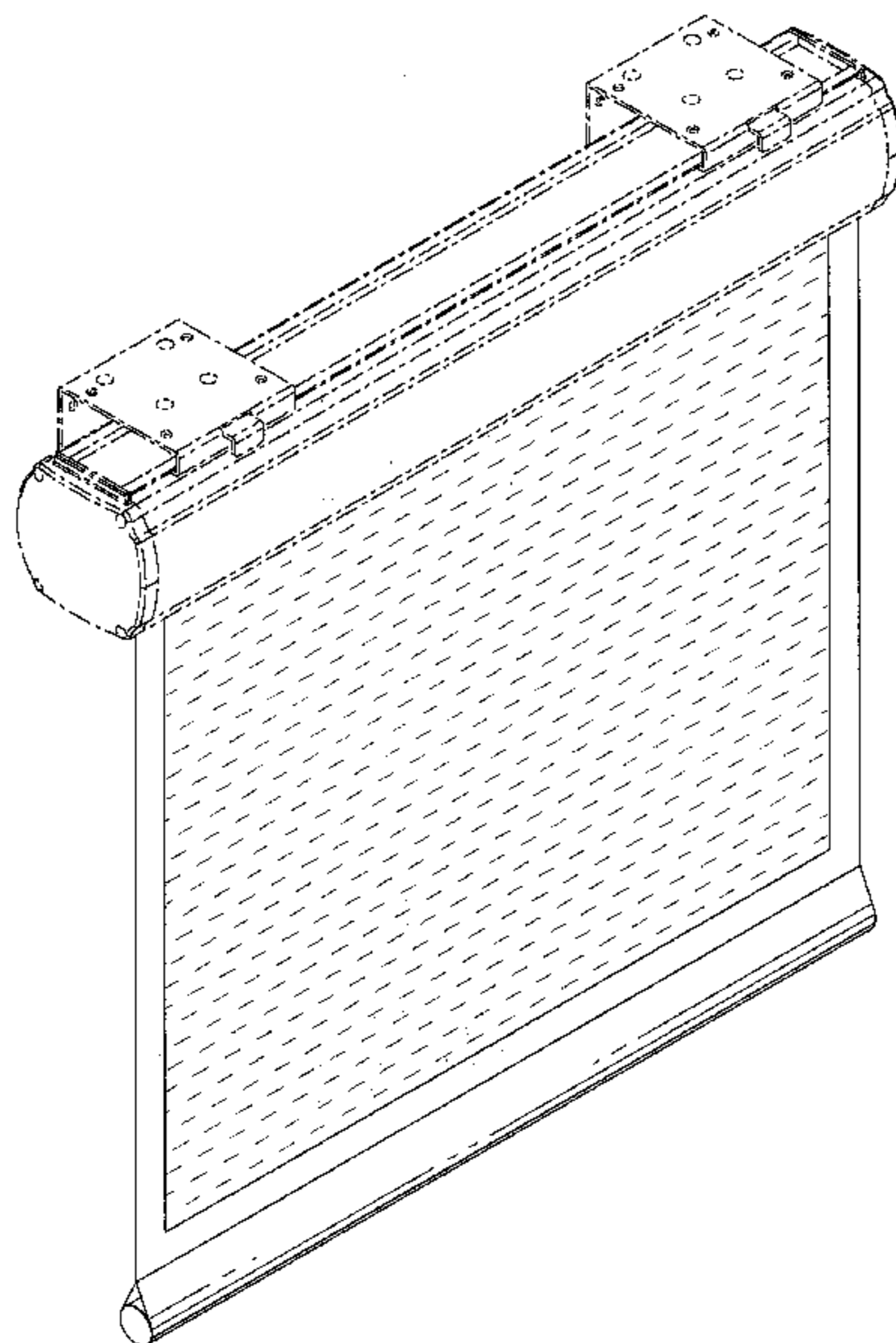
FIG. 6 is a left side view of my double-sided screen in a fully lowered position, the right side view being a mirror image thereof; and,

FIG. 7 is a rear view of my double-sided screen in a fully lowered position.

The broken line showing the headrail and mounting brackets of a double-sided screen is included for the purpose of illustrating environmental structure and forms no part of the claimed design.

A portion of the front of the double-sided screen shown in FIGS. 1 and 7 is lined indicate the color gray.

**1 Claim, 4 Drawing Sheets**



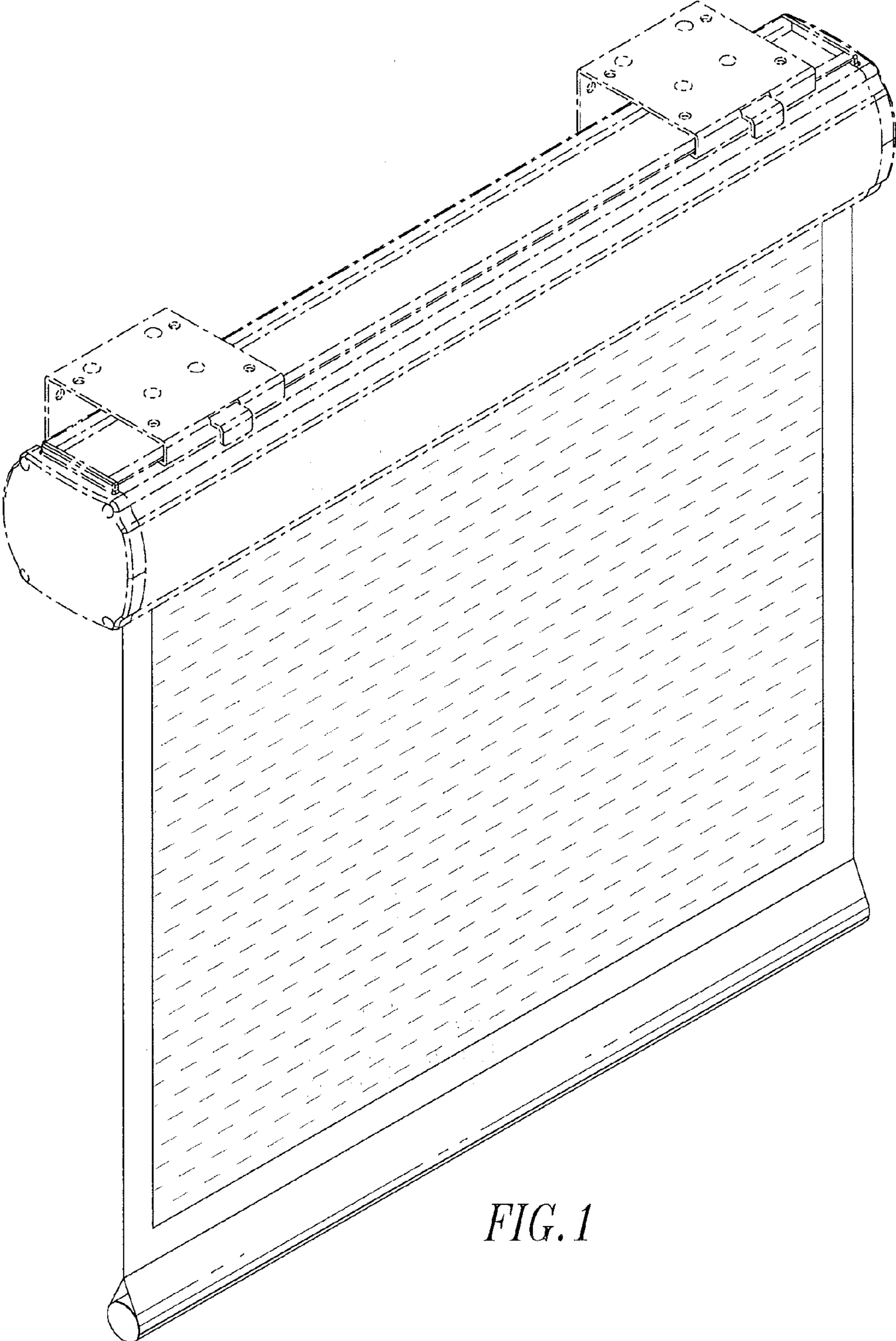


FIG. 1

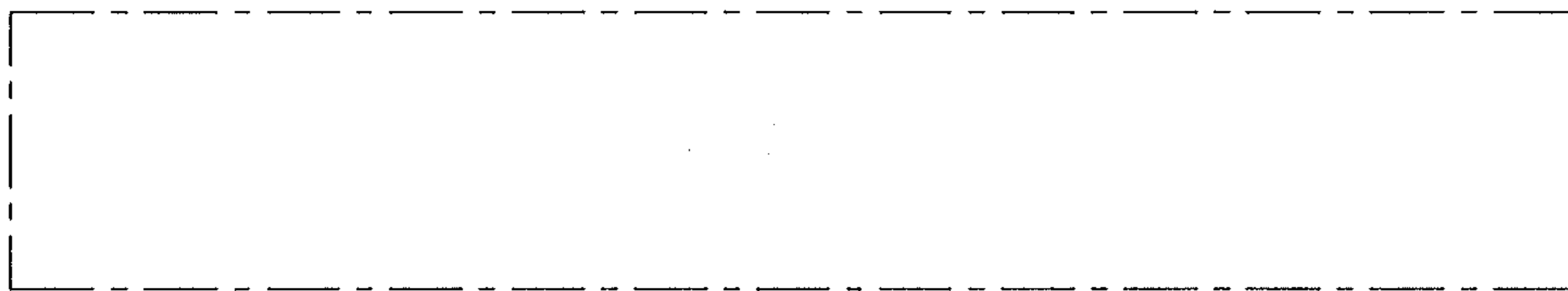
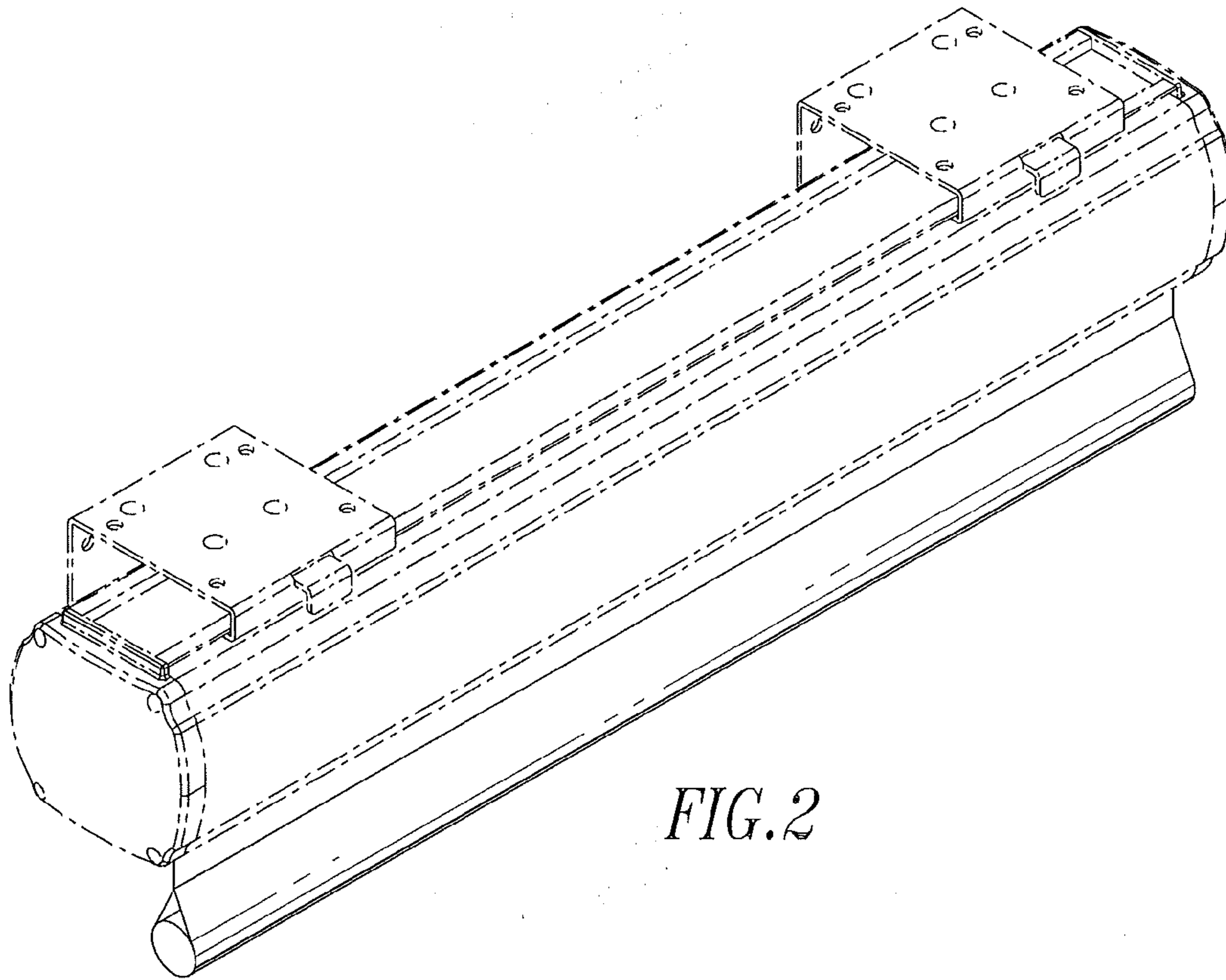


FIG. 3

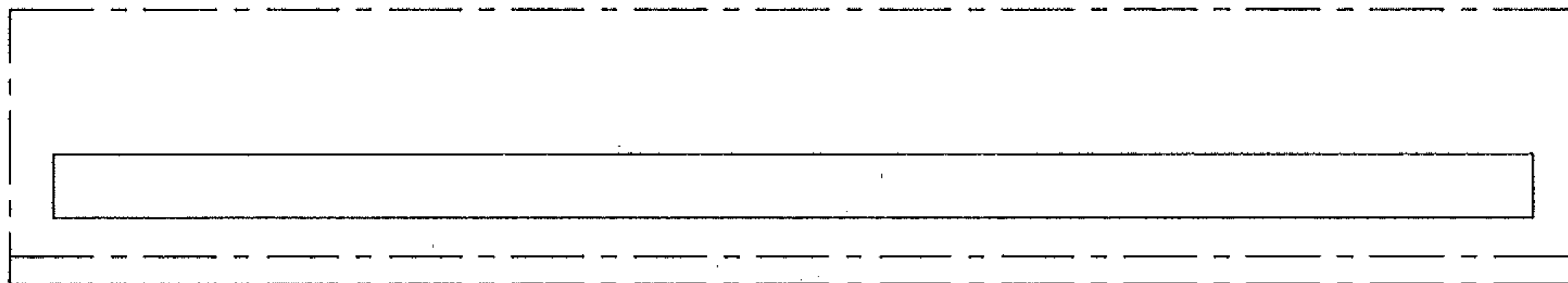


FIG. 4

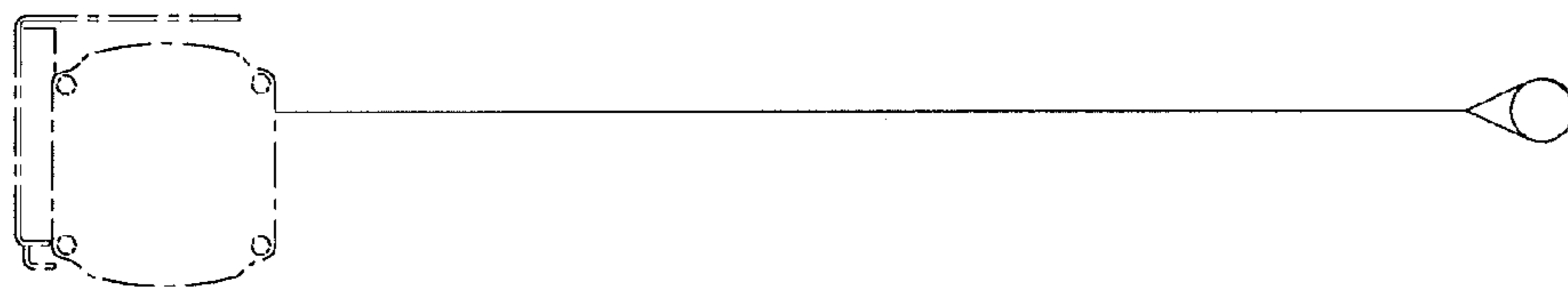


FIG. 6

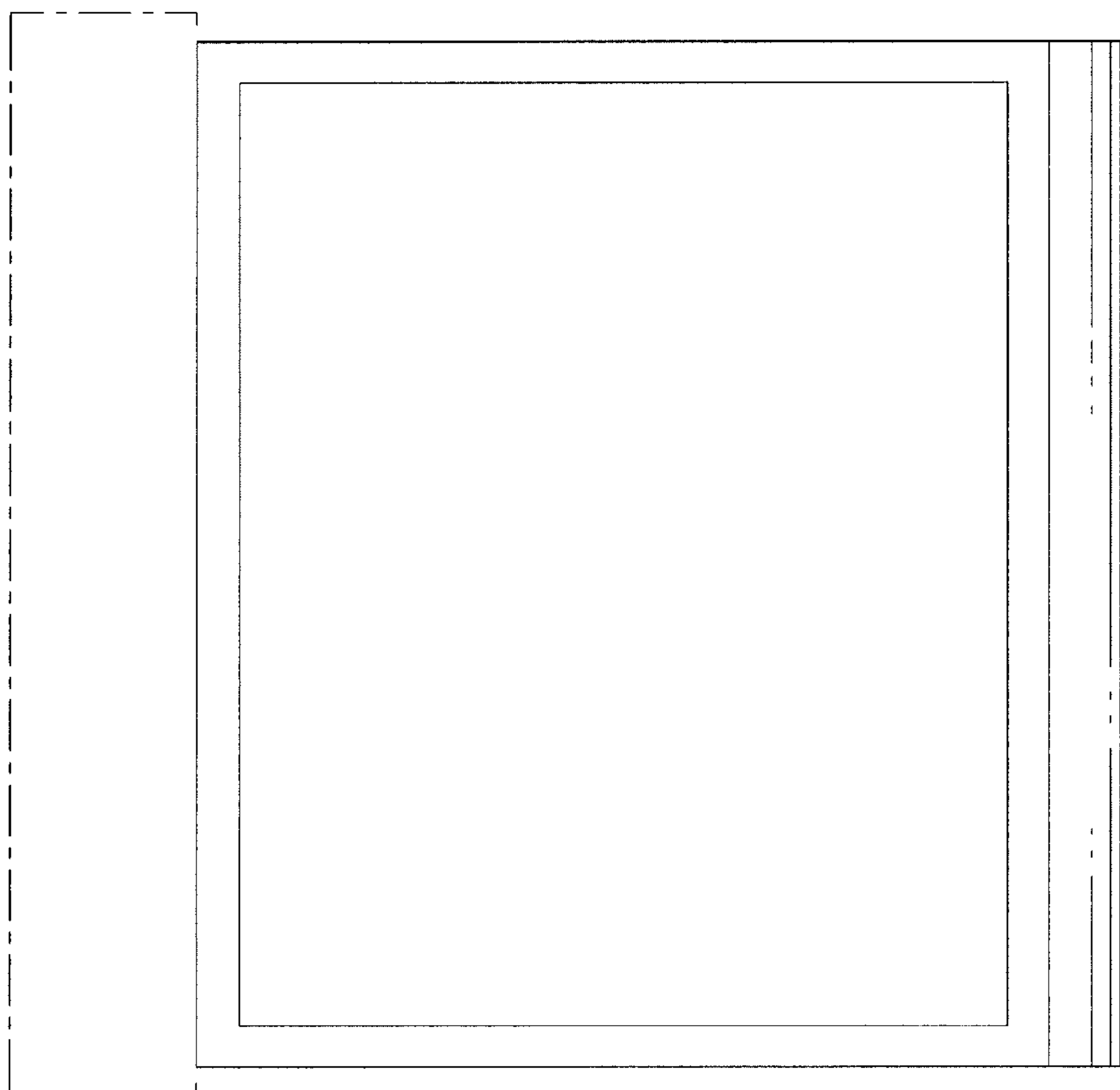
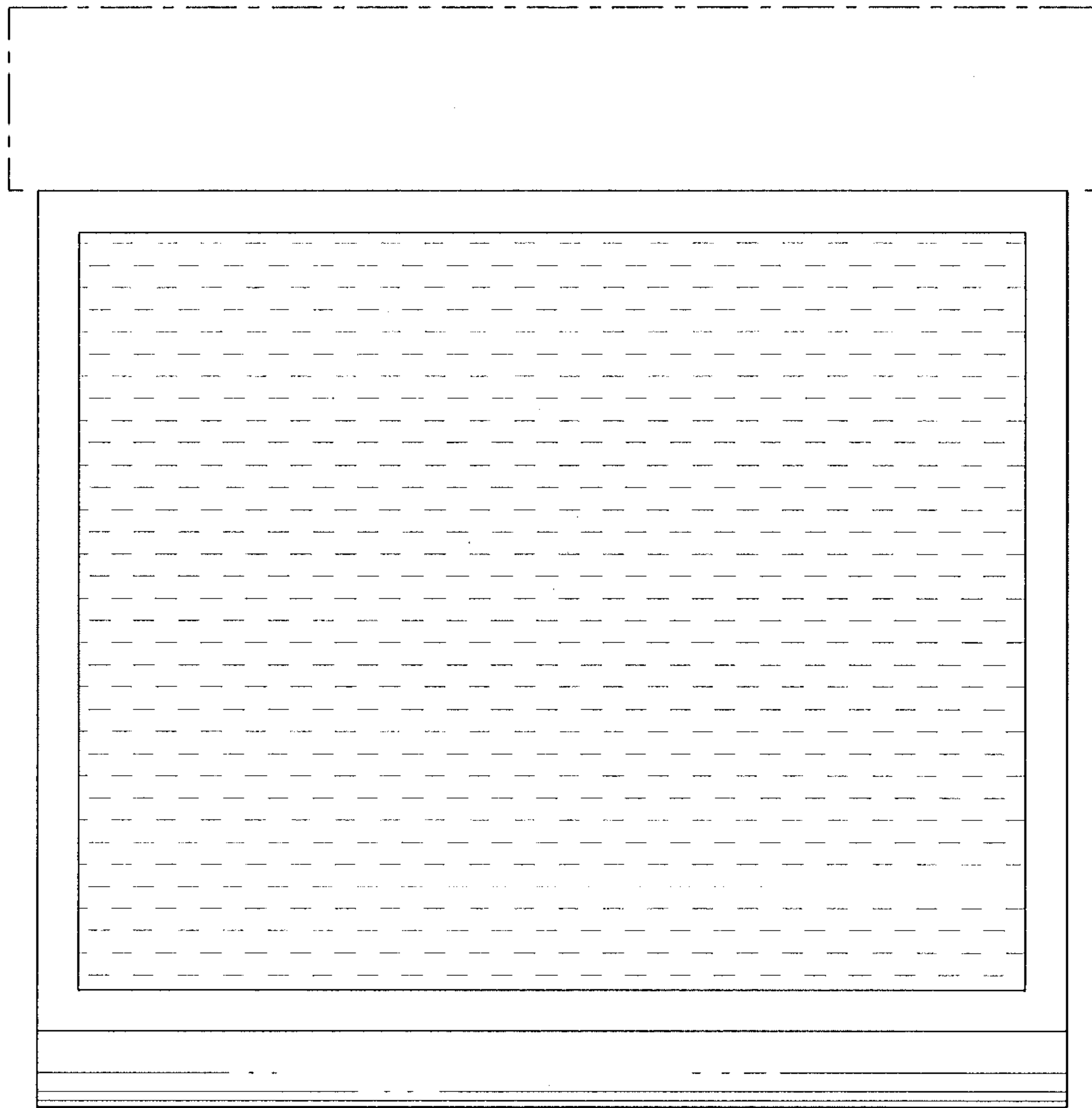


FIG. 5



*FIG. 7*