



US00D607915S

(12) **United States Design Patent**
Fong

(10) **Patent No.:** **US D607,915 S**
(45) **Date of Patent:** **** Jan. 12, 2010**

(54) **PHOTOGRAPHIC LIGHT DIFFUSER**

D591,323 S * 4/2009 Fong D16/237

(76) Inventor: **Gary M. Fong**, 1301 First Ave., Suite
2101, Seattle, WA (US) 98101

* cited by examiner

Primary Examiner—Adir Aronovich

(**) Term: **14 Years**

(74) *Attorney, Agent, or Firm*—Christie, Parker & Hale, LLP

(21) Appl. No.: **29/326,695**

(57) **CLAIM**

(22) Filed: **Oct. 22, 2008**

The ornamental design for a photographic light diffuser, as shown and described.

(51) **LOC (9) Cl.** **16-05**

DESCRIPTION

(52) **U.S. Cl.** **D16/237; D26/118**

FIG. 1 is an oblique view of a photographic light diffuser showing my new design;

(58) **Field of Classification Search** D16/237,
D16/238, 240; D26/118, 119; 362/3, 16-18
See application file for complete search history.

FIG. 2 is a front elevational view thereof;

FIG. 3 is a rear elevational view thereof;

(56) **References Cited**

U.S. PATENT DOCUMENTS

439,999	A	*	11/1890	Bridges	362/17
536,790	A	*	4/1895	Shibas	362/16
3,852,582	A	*	12/1974	Lowell	362/17
4,066,885	A	*	1/1978	Weinberg	362/18
D335,717	S	*	5/1993	Couch	D26/118

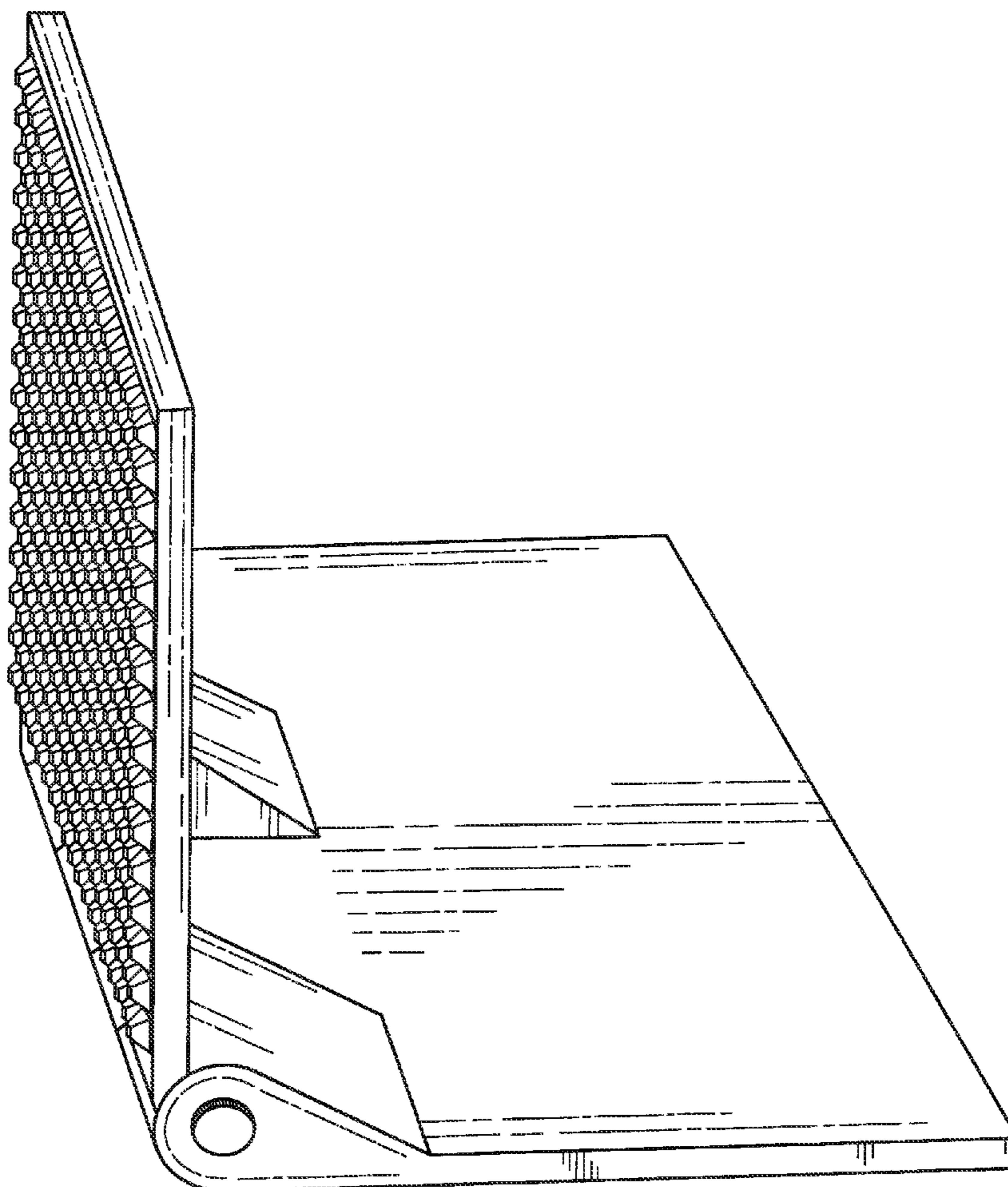
FIG. 4 is a left side elevational view thereof;

FIG. 5 is a right side elevational view thereof;

FIG. 6 is a bottom plan view thereof; and,

FIG. 7 is a top plan view thereof.

1 Claim, 7 Drawing Sheets



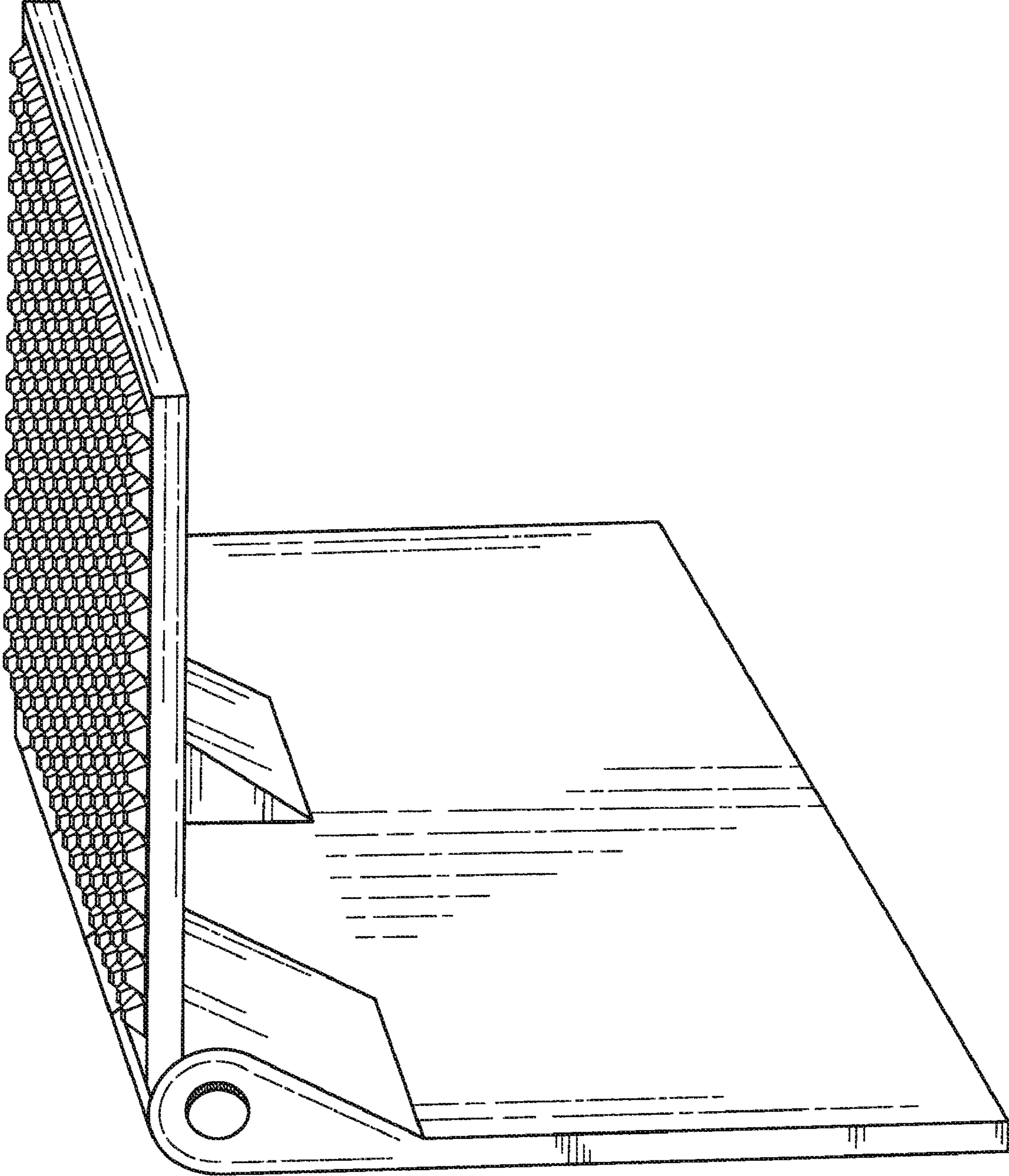


FIG. 1

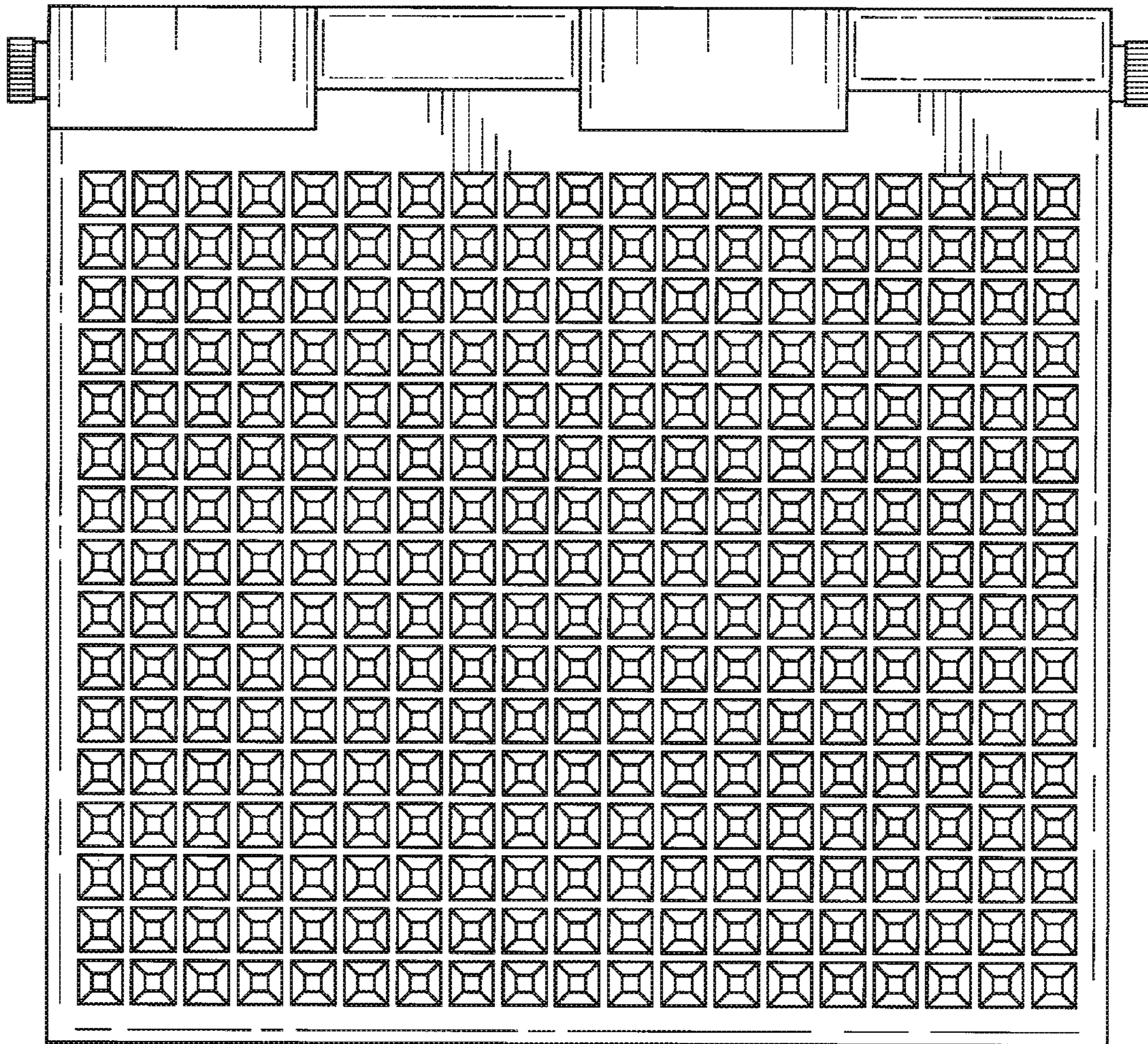


FIG. 2

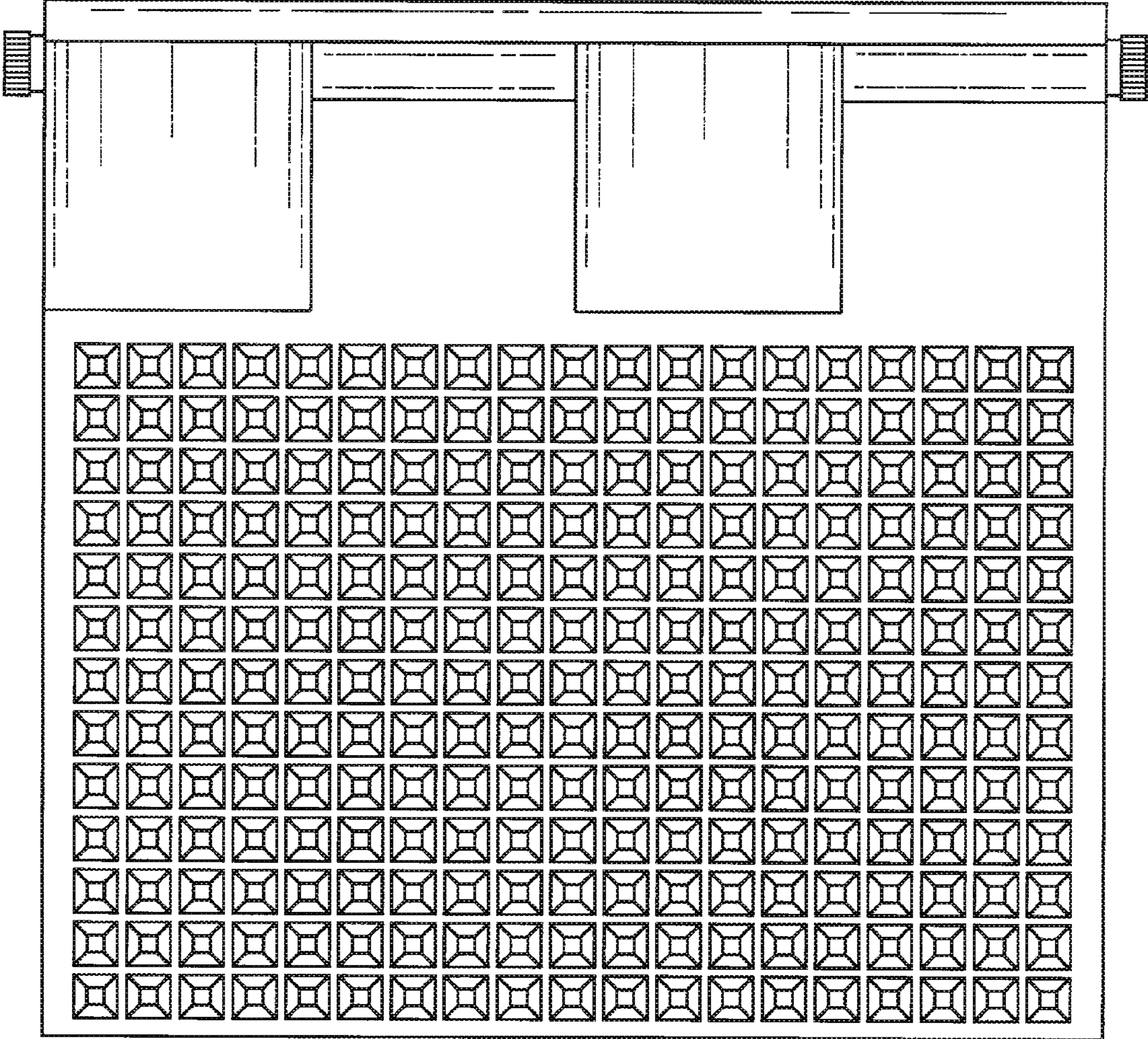


FIG. 3

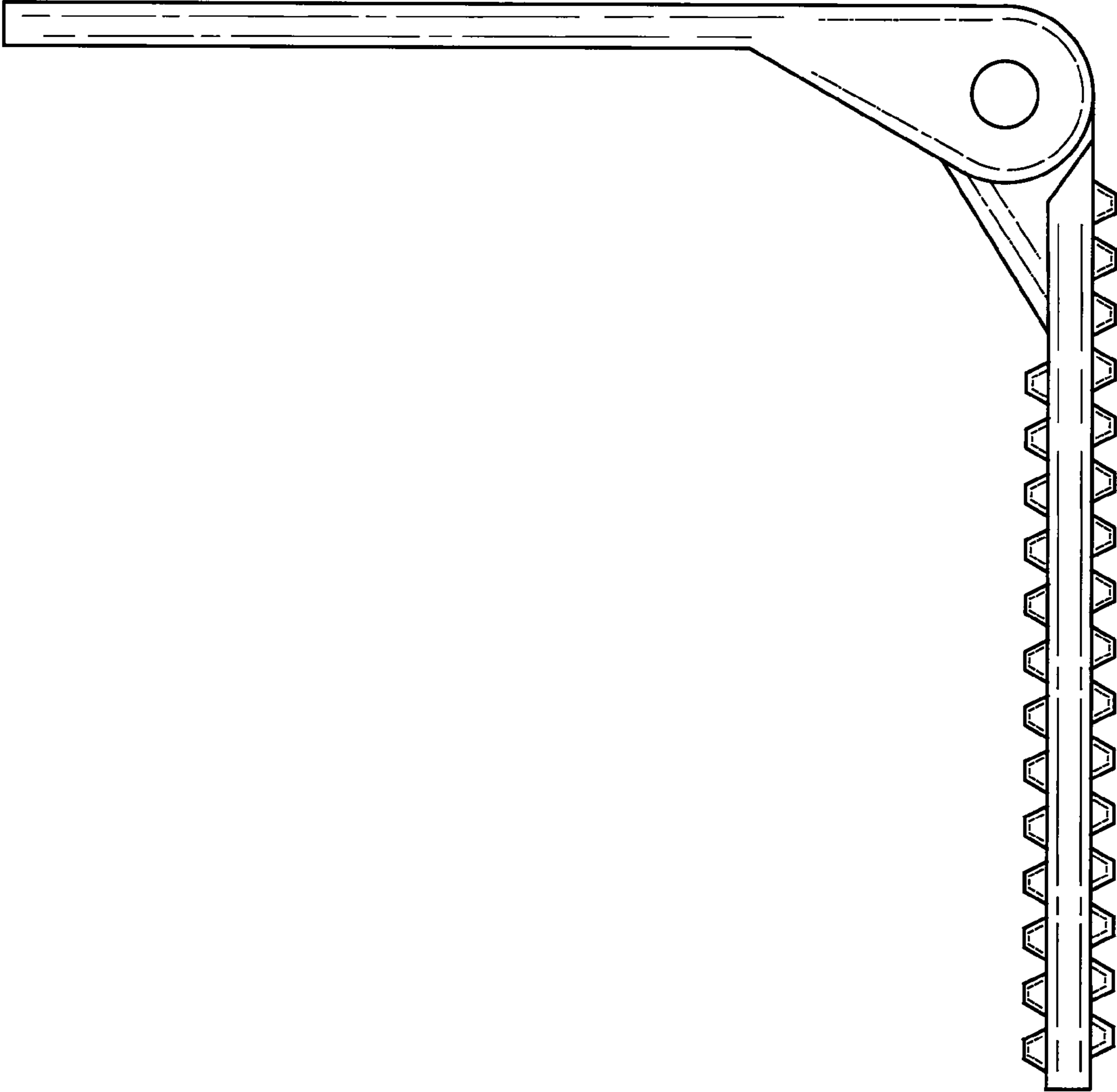


FIG. 4

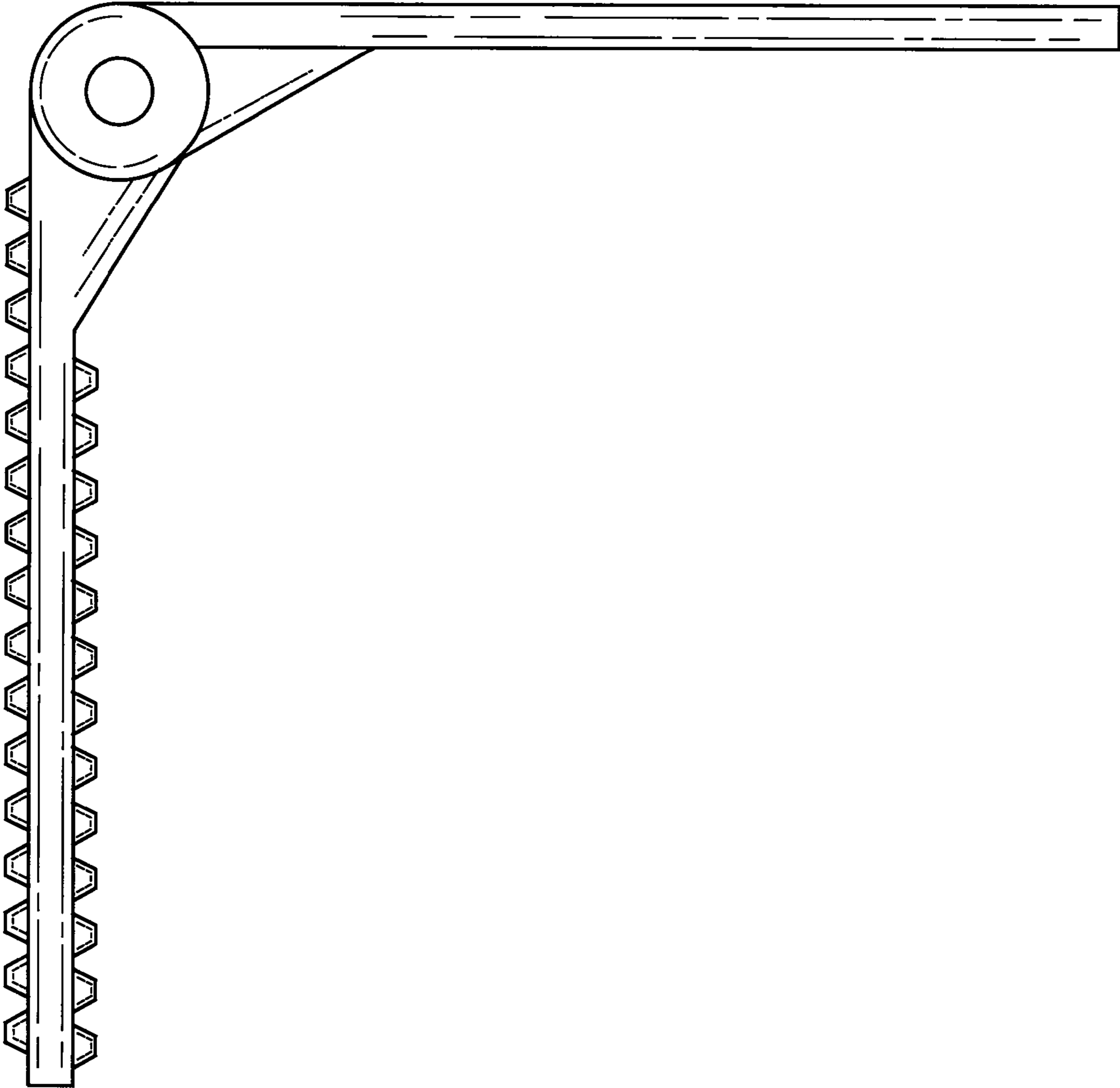


FIG. 5

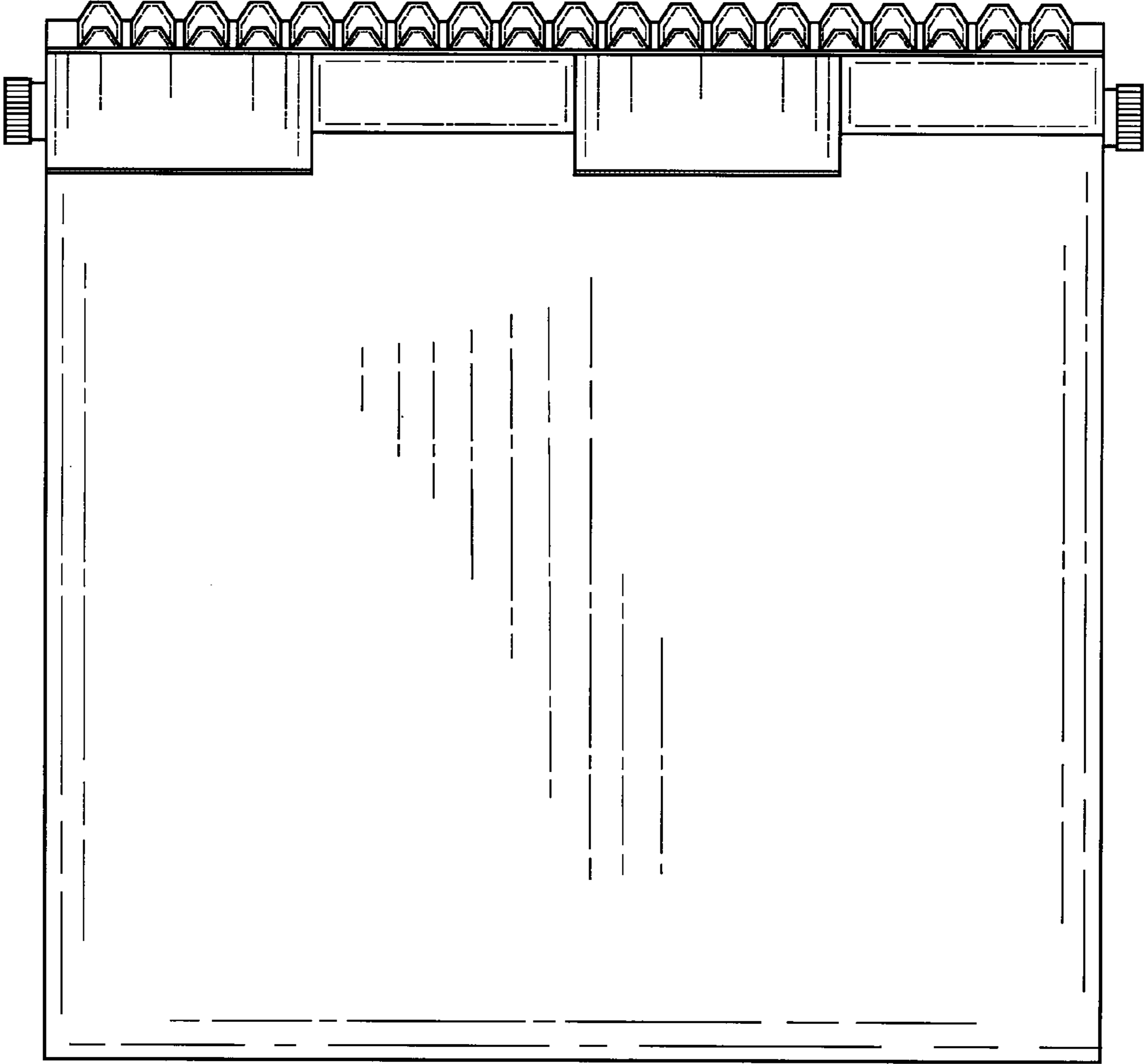


FIG. 6

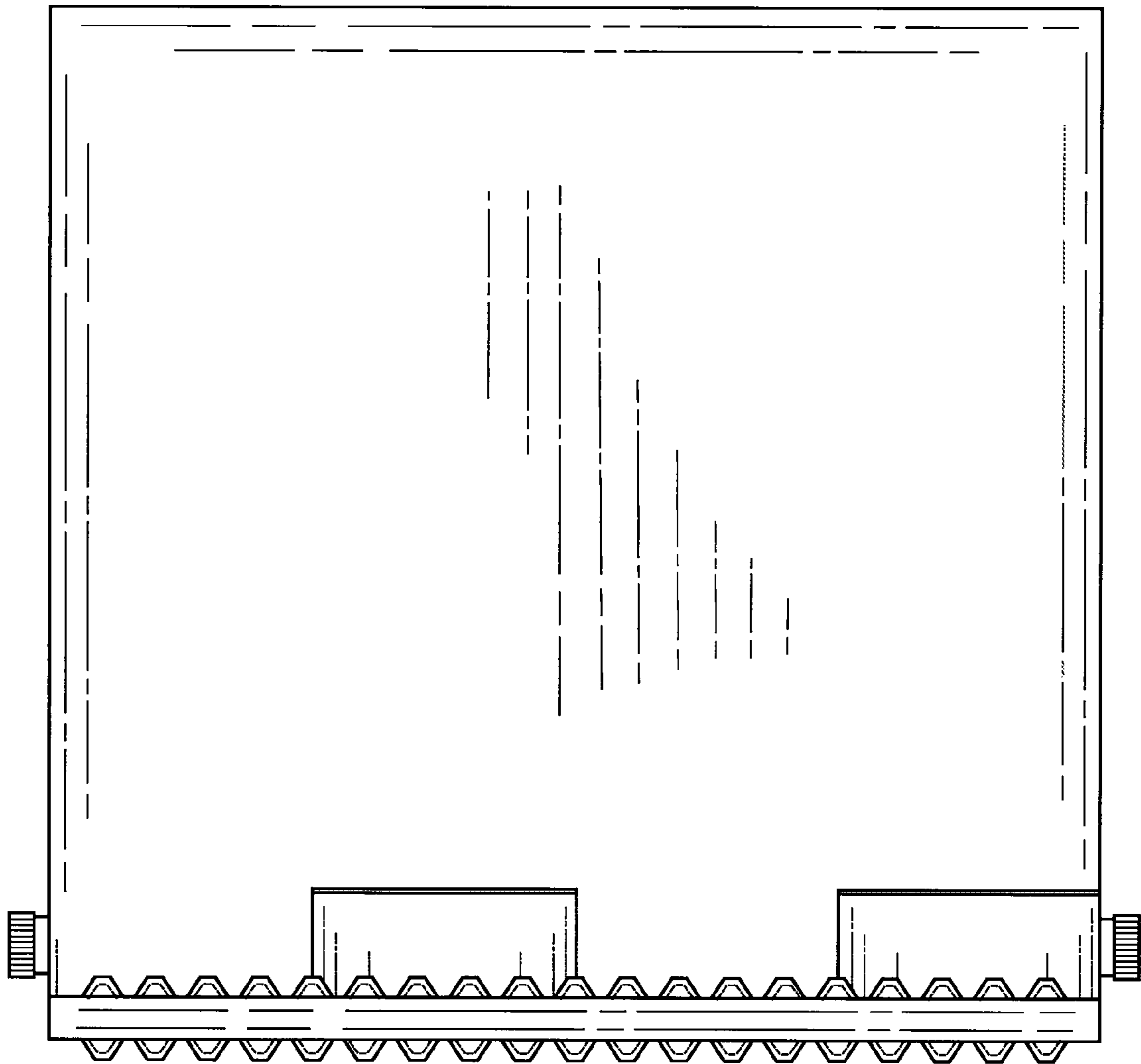


FIG. 7