



US00D607911S

(12) **United States Design Patent**
Kishimoto

(10) **Patent No.:** **US D607,911 S**
(45) **Date of Patent:** **** Jan. 12, 2010**

(54) **OXIDE REMOVER FOR SOLDERING TIPS**

(75) Inventor: **Nobuya Kishimoto**, Osaka (JP)

(73) Assignee: **Hakko Corporation**, Osaka (JP)

(**) Term: **14 Years**

(21) Appl. No.: **29/340,320**

(22) Filed: **Jul. 16, 2009**

(30) **Foreign Application Priority Data**

Jan. 23, 2009 (JP) D2009-001249

(51) **LOC (9) Cl.** **15-09**

(52) **U.S. Cl.** **D15/144**

(58) **Field of Classification Search** D7/609;
D15/144, 144.1, 144.2; D32/35; 15/21 D,
15/21.1, 39, 40, 77, 88, 88.3, 97 R, 97.1,
15/102; 228/57

See application file for complete search history.

(56) **References Cited**

U.S. PATENT DOCUMENTS

- D195,116 S 4/1963 Race
- D272,309 S 1/1984 Walser
- D286,126 S * 10/1986 Driscoll D7/609
- D405,320 S * 2/1999 Tisdale D7/609
- 6,604,255 B2 8/2003 Hayashi
- D480,522 S 10/2003 Sasaki et al.
- D512,530 S * 12/2005 Hartwein et al. D28/44

- D545,014 S * 6/2007 Santiago et al. D32/35
- D569,403 S 5/2008 Uetani
- D594,046 S * 6/2009 Kita D15/144
- D596,654 S * 7/2009 Kita D15/144
- 2006/0048318 A1 * 3/2006 Goh et al. 15/97.1
- 2008/0229530 A1 * 9/2008 Kordick 15/50.3

* cited by examiner

Primary Examiner—Sandra Snapp

Assistant Examiner—Patricia Palasik

(74) *Attorney, Agent, or Firm*—Squire, Sanders & Dempsey, L.L.P.

(57) **CLAIM**

The ornamental design for an oxide remover for soldering tips, as shown and described.

DESCRIPTION

FIG. 1 is a perspective view of an oxide remover for soldering tips;

FIG. 2 is a front view thereof;

FIG. 3 is a rear view thereof;

FIG. 4 is a left side view thereof;

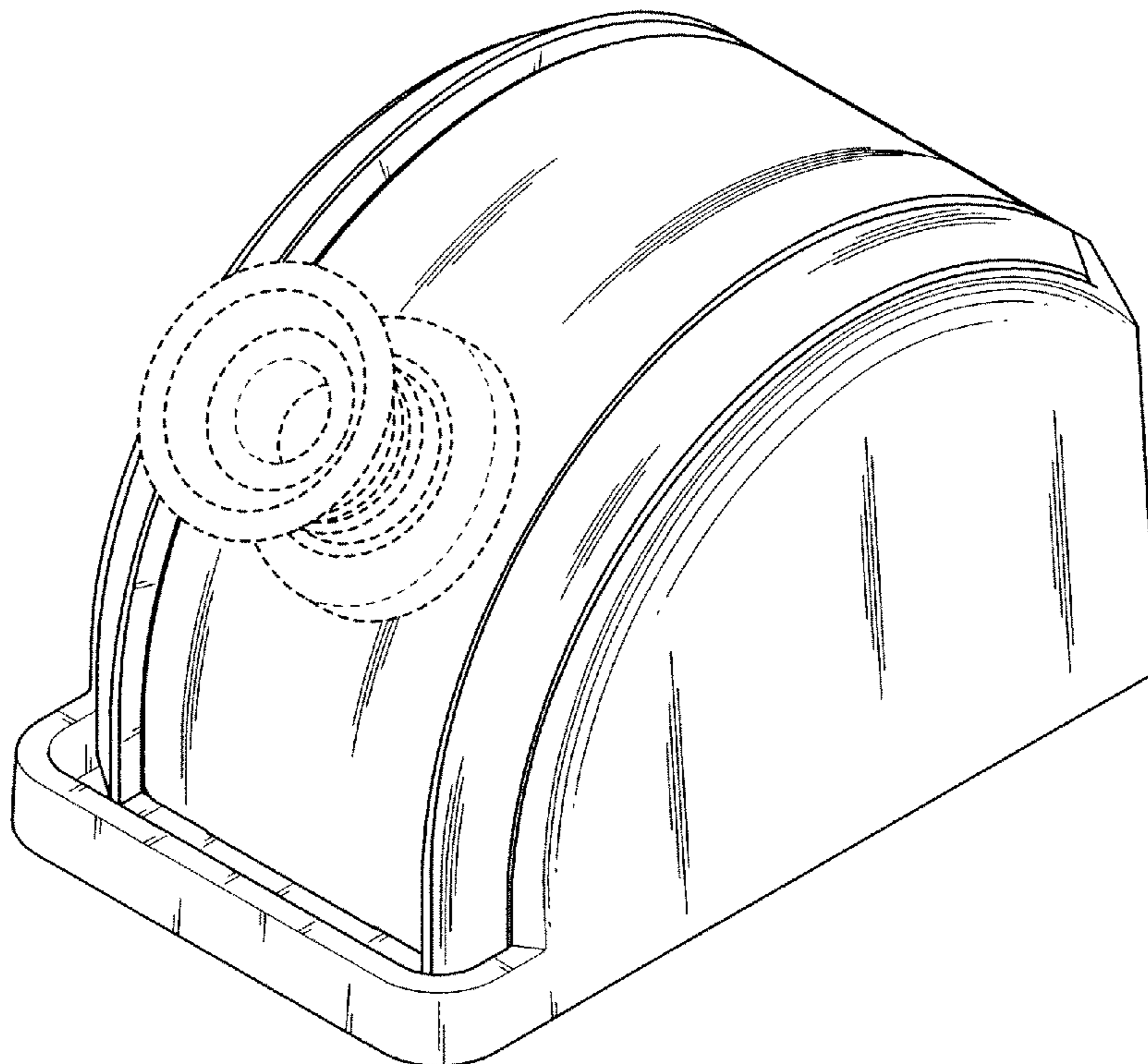
FIG. 5 is a right side view thereof;

FIG. 6 is a top view thereof; and,

FIG. 7 is a bottom view thereof.

The portion shown by broken lines is for illustrative purposes only and forms no part of the claimed design.

1 Claim, 4 Drawing Sheets



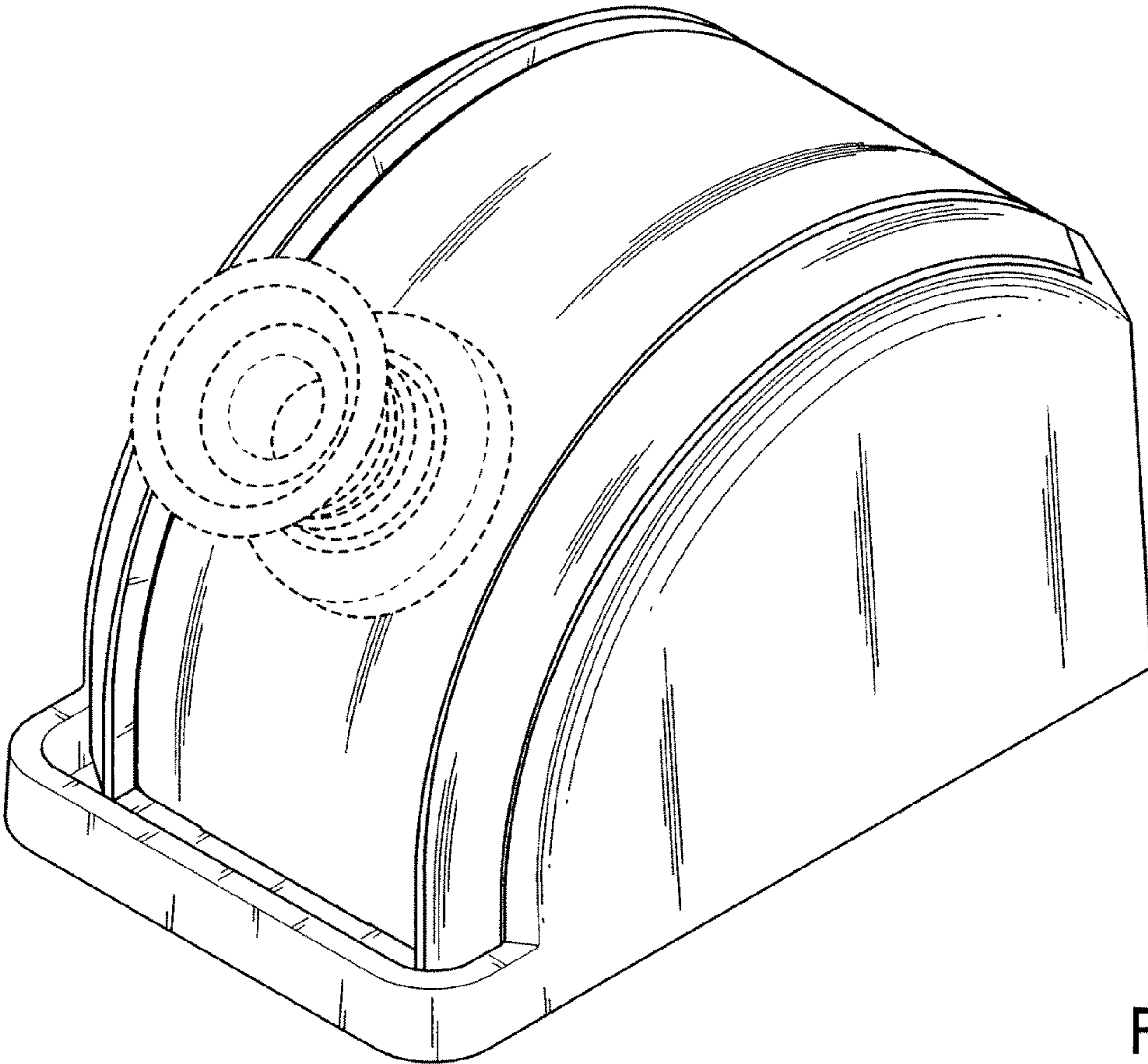


FIG. 1

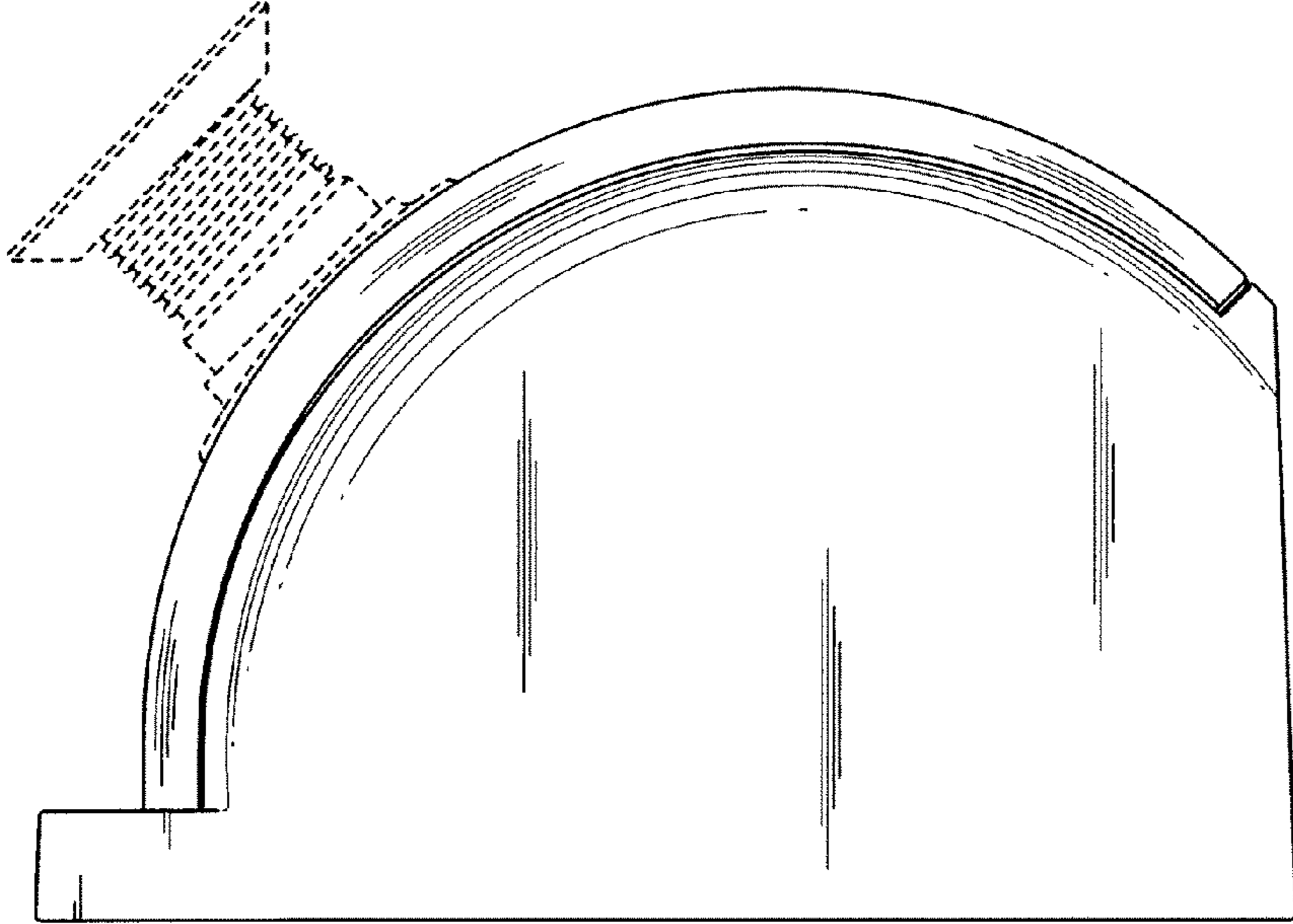


FIG. 2

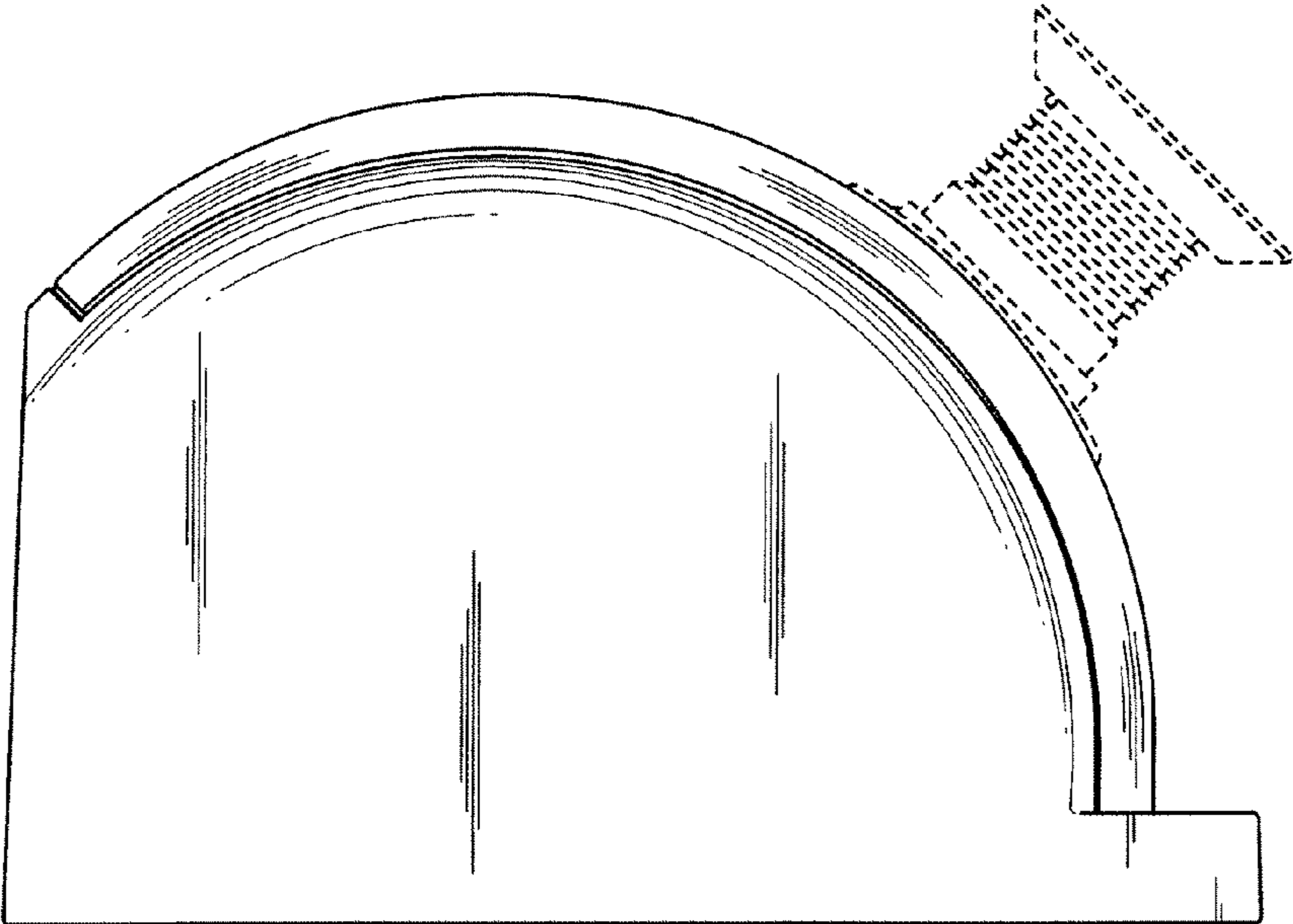


FIG. 3

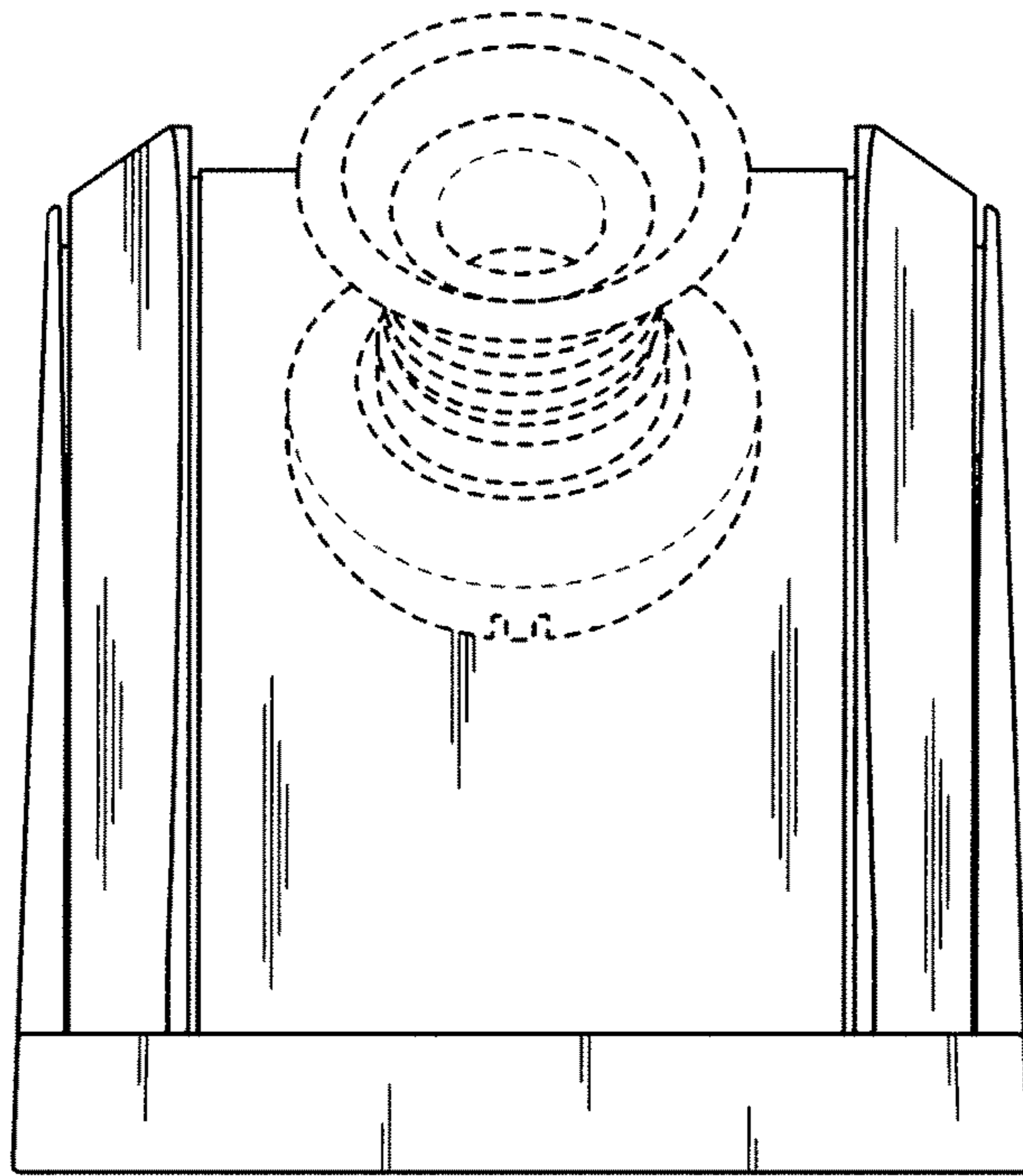


FIG. 4

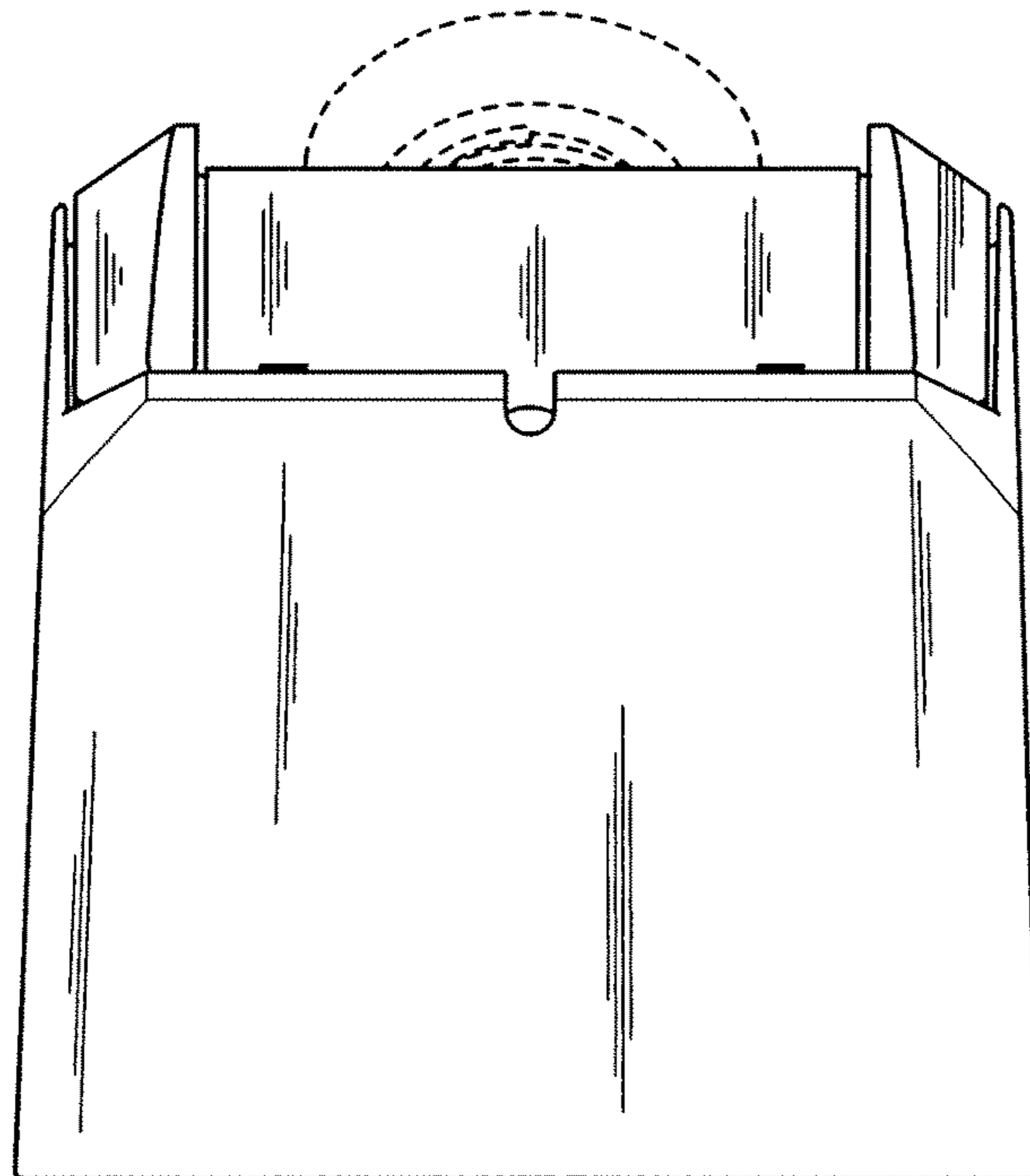


FIG. 5

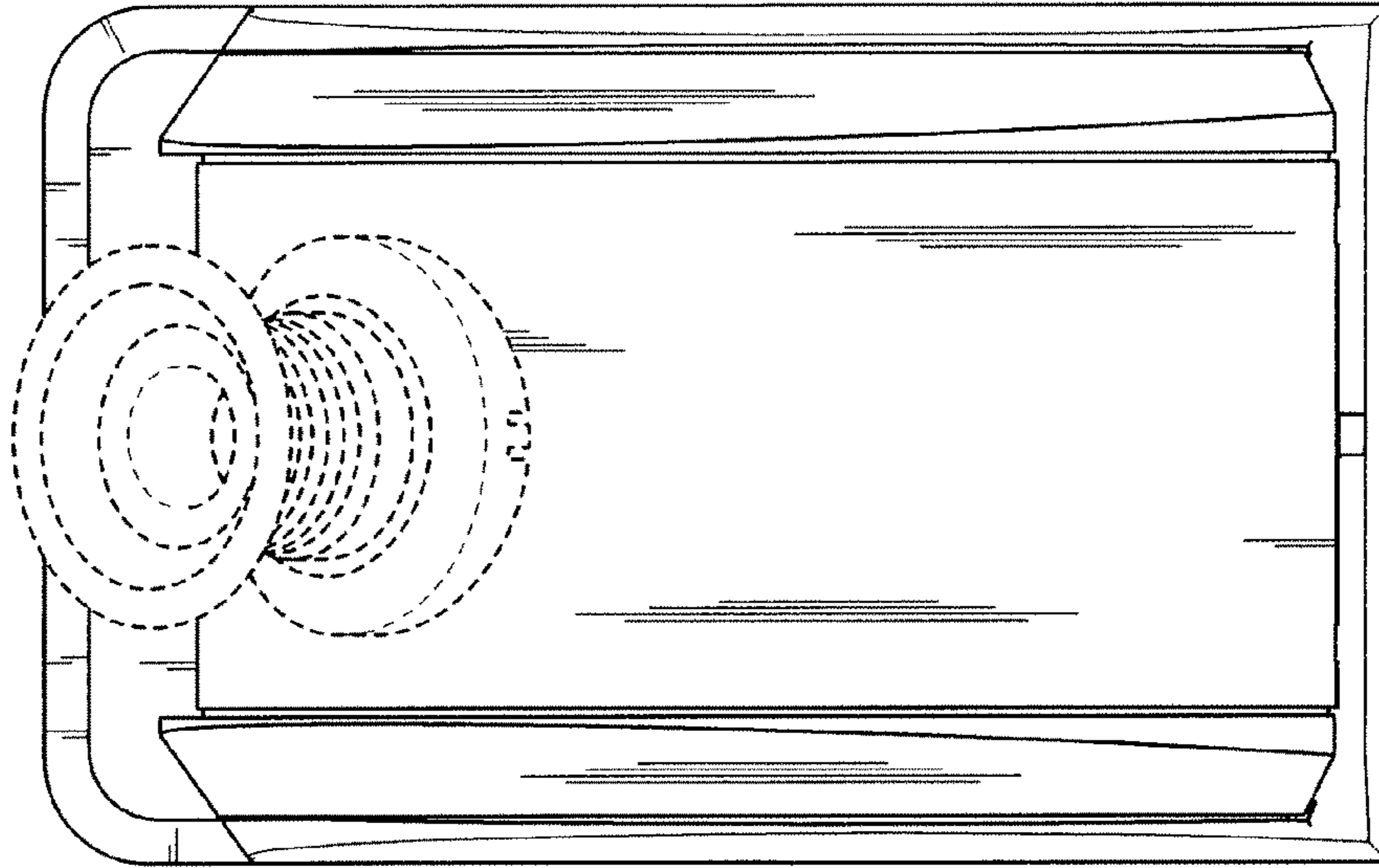


FIG. 6

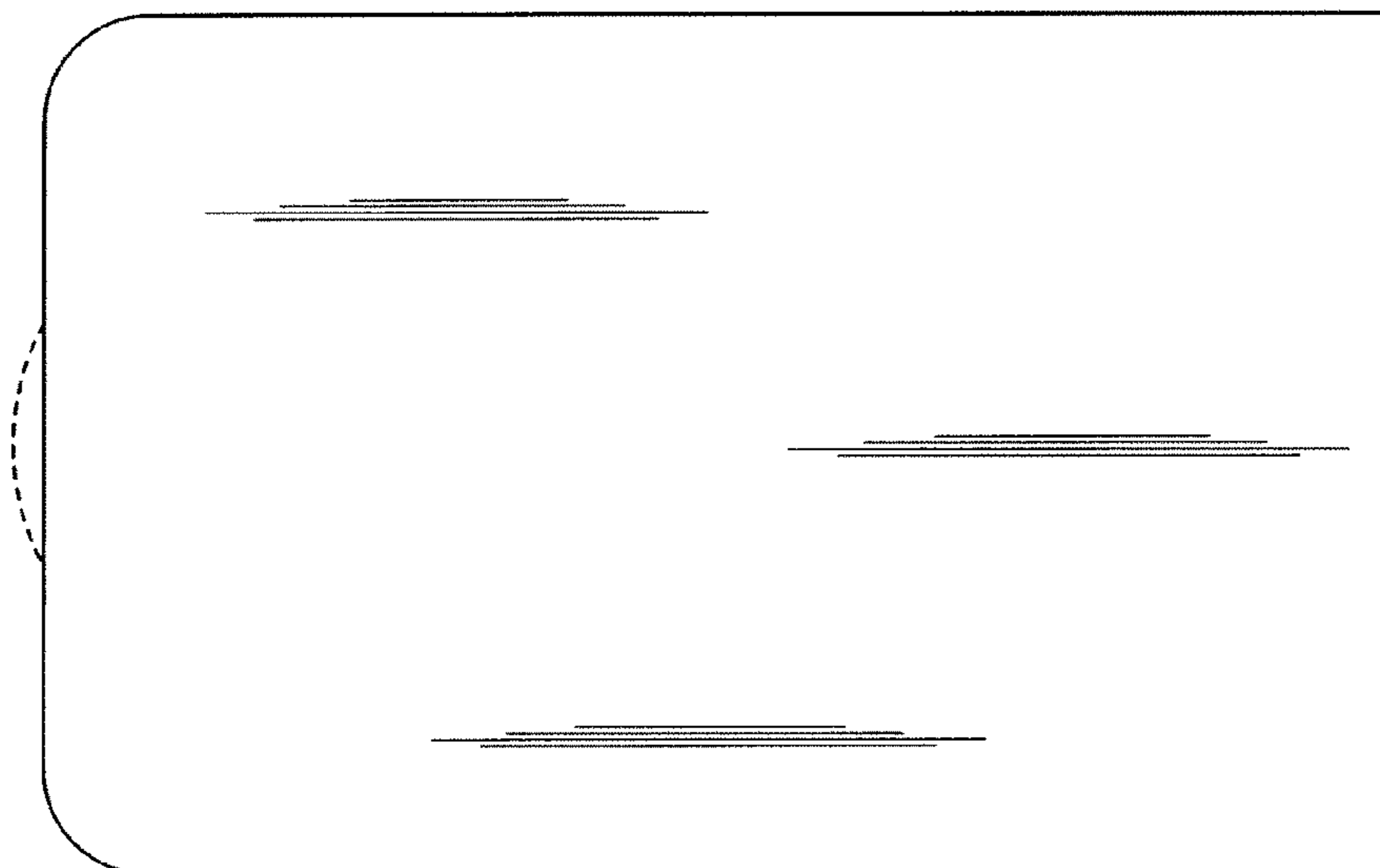


FIG. 7