

US00D607910S

(12) **United States Design Patent**
Corcoran et al.

(10) **Patent No.:** **US D607,910 S**
(45) **Date of Patent:** **** Jan. 12, 2010**

(54) **HAND-OPERATED ROLLER PRESS MACHINE**

(75) Inventors: **Kevin L. Corcoran**, Mission Viejo, CA (US); **Jared B. Wilson**, Lake Forest, CA (US)

(73) Assignee: **Ellison Educational Equipment, Inc.**, Lake Forest, CA (US)

(**) Term: **14 Years**

(21) Appl. No.: **29/315,471**

(22) Filed: **Jun. 30, 2009**

(51) **LOC (9) Cl.** **15-09**

(52) **U.S. Cl.** **D15/128**

(58) **Field of Classification Search** D15/123, D15/128; D18/34.1-34.9, 50, 99; D19/74; 100/176; 101/120, 127.1, 244, 336; 156/495, 156/522, 542, 555-556, 579, DIG. 23, DIG. 33, 156/DIG. 39, DIG. 42, DIG. 48; 242/156, 242/419.9; 452/142

See application file for complete search history.

(56) **References Cited**

U.S. PATENT DOCUMENTS

D110,803 S *	8/1938	Ditty	D18/14
3,264,978 A *	8/1966	Staley	101/23
6,843,296 B2 *	1/2005	Lemens et al.	156/494
D508,701 S *	8/2005	Corcoran et al.	D15/123
D539,333 S *	3/2007	Lee	D18/14
D542,310 S *	5/2007	Corcoran et al.	D15/123
D547,340 S *	7/2007	Ayala et al.	D15/136

D574,423 S *	8/2008	Lee	D18/14
D585,081 S *	1/2009	Corcoran et al.	D15/128
D587,287 S *	2/2009	Corcoran et al.	D15/123
2003/0098123 A1 *	5/2003	Miller	156/300

* cited by examiner

Primary Examiner—Sandra Snapp

Assistant Examiner—Patricia Palasik

(74) *Attorney, Agent, or Firm*—Morland C. Fischer

(57) **CLAIM**

The ornamental design for a hand-operated roller press machine, as shown and described.

DESCRIPTION

FIG. 1 is a perspective view showing the front, right side and top of a hand operated roller press machine which forms our new design;

FIG. 2 is a perspective view showing the rear, left side and top thereof;

FIG. 3 is a front elevational view thereof;

FIG. 4 is a rear elevational view thereof;

FIG. 5 is a left side elevational view thereof;

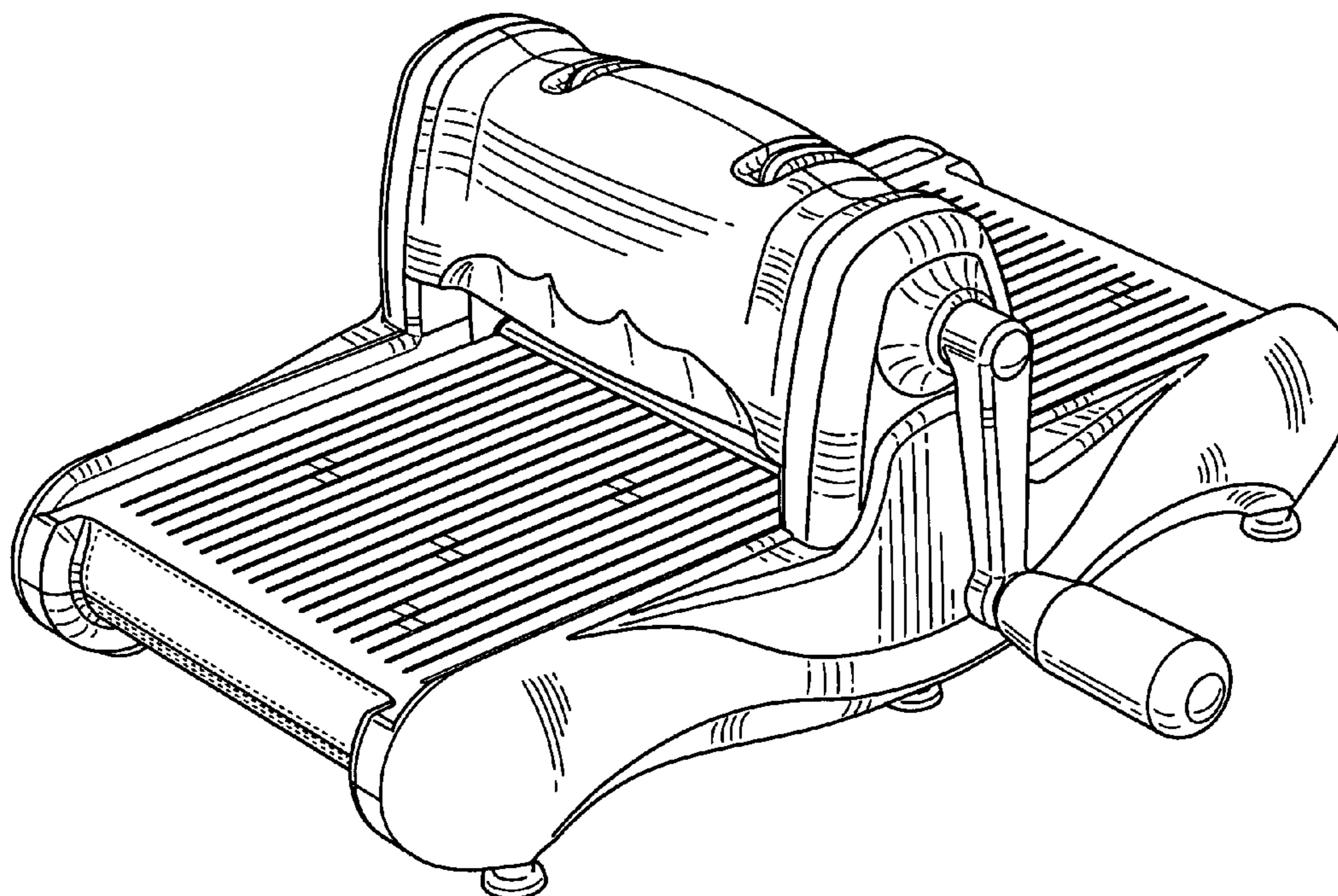
FIG. 6 is a right side elevational view thereof; and,

FIG. 7 is a top plan view thereof.

The broken lines in the drawings depict unclaimed environmental subject matter.

The broken lines in FIGS. 4-7 showing struts and fasteners are for illustrative purposes only form no part of our design.

1 Claim, 4 Drawing Sheets



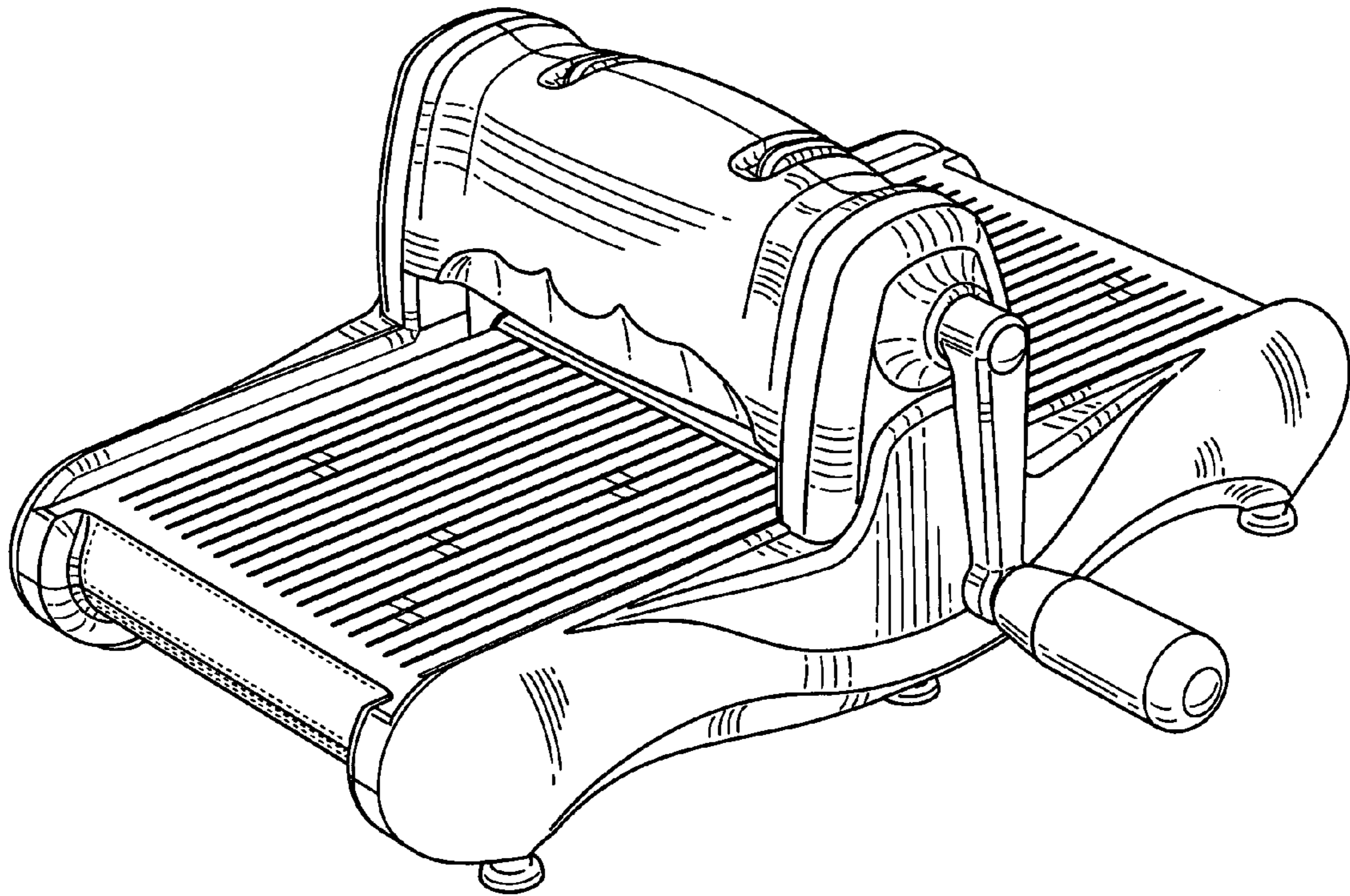


FIG. 1

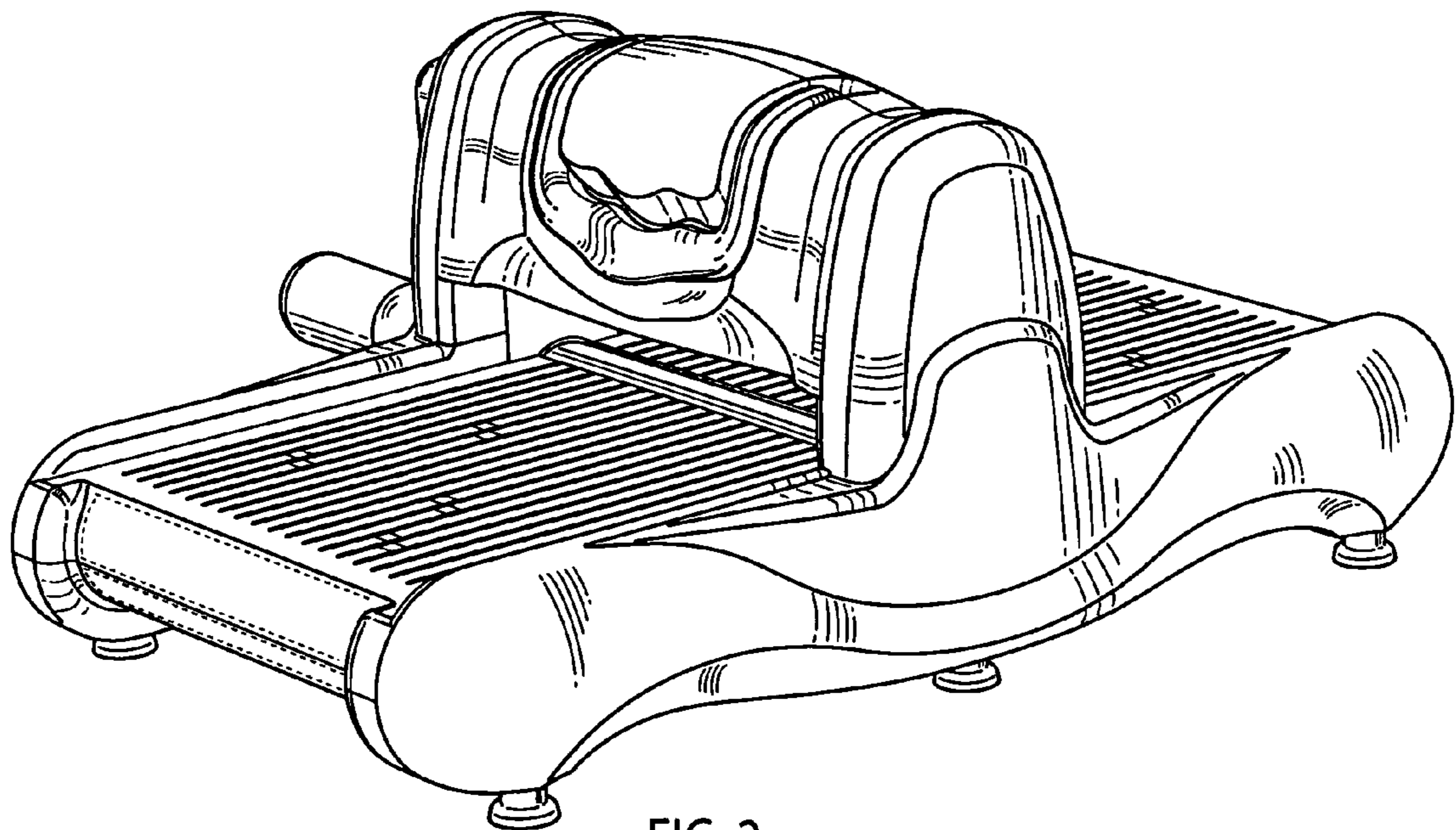


FIG. 2

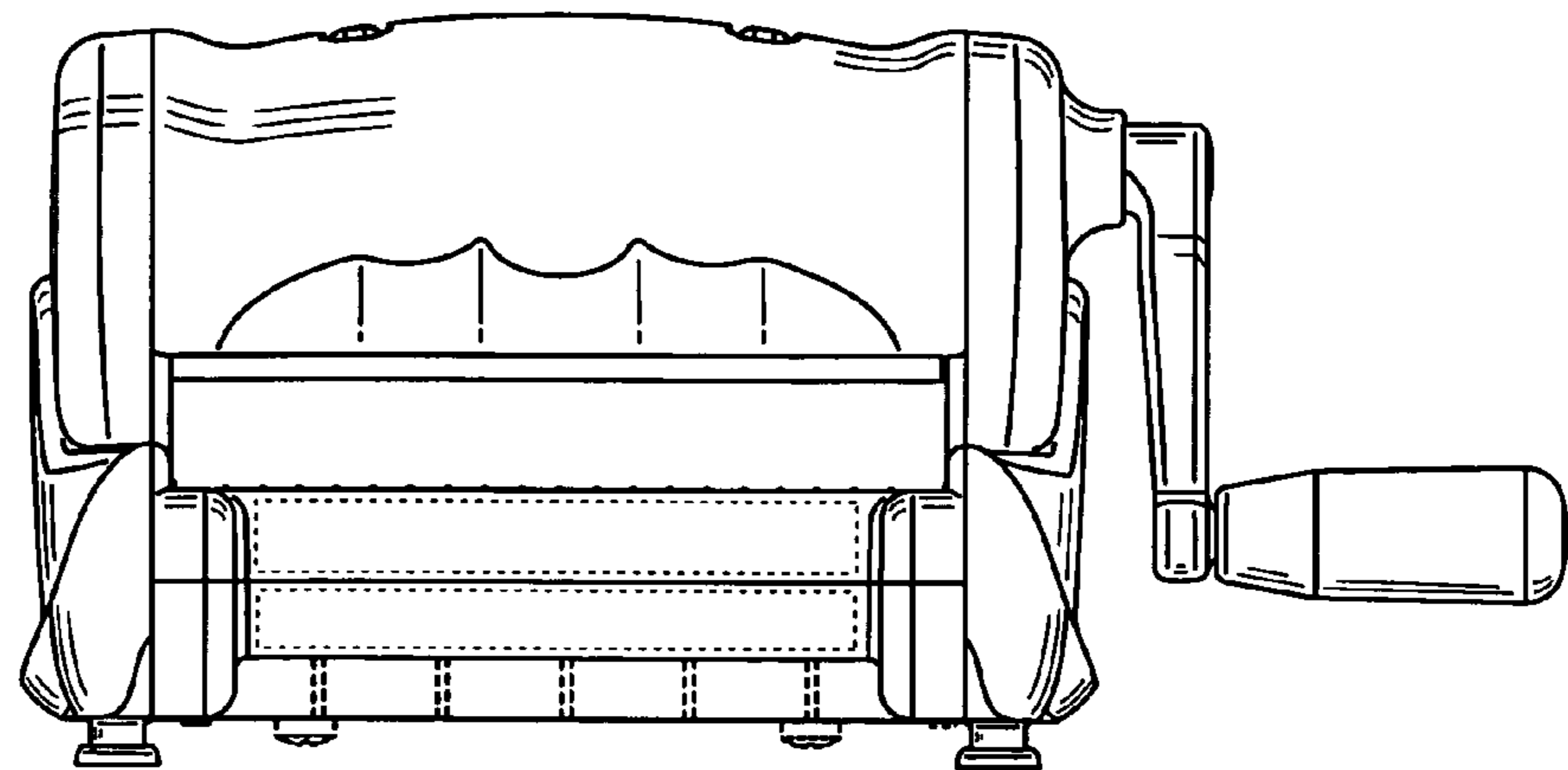


FIG. 3

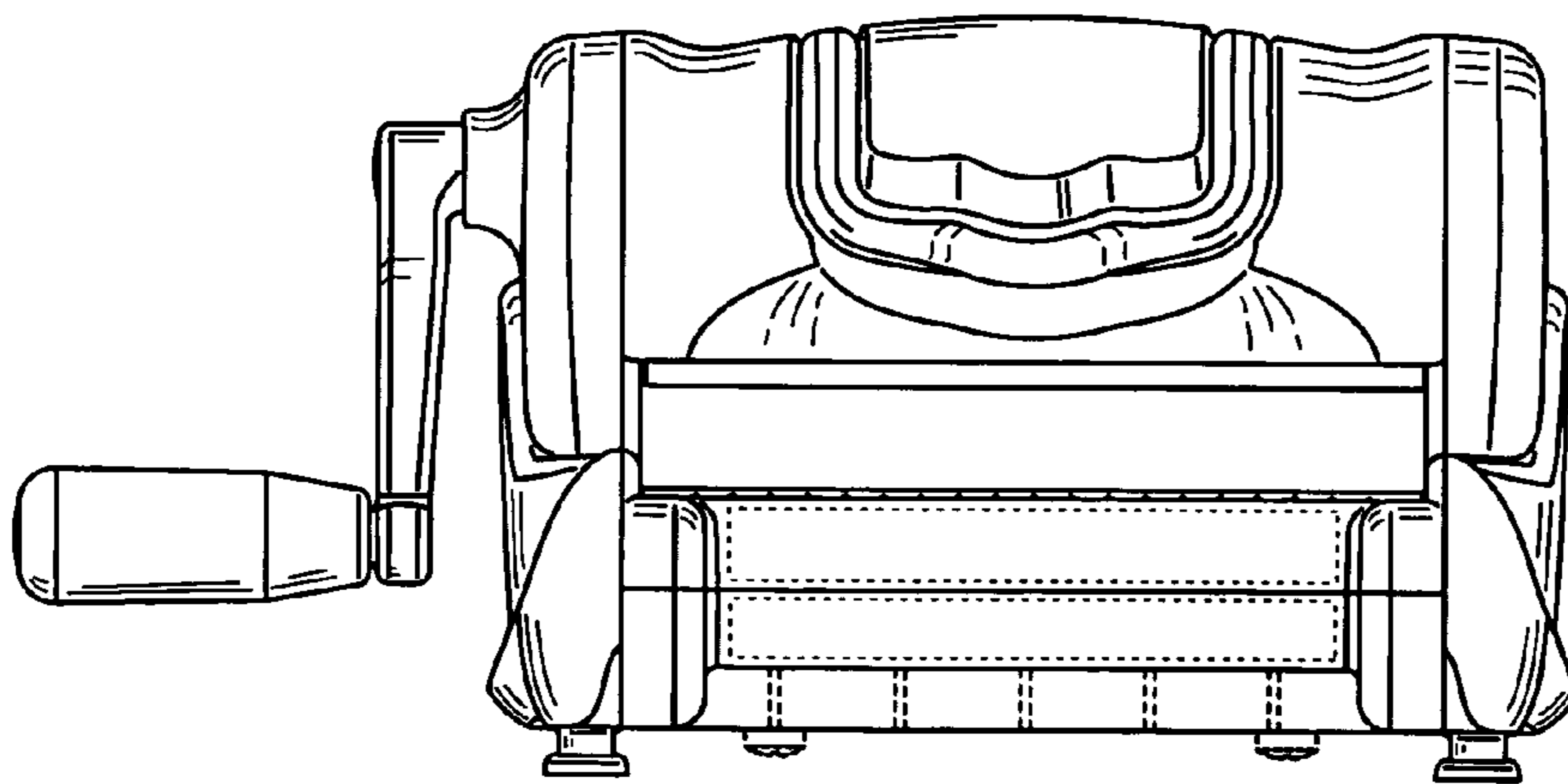


FIG. 4

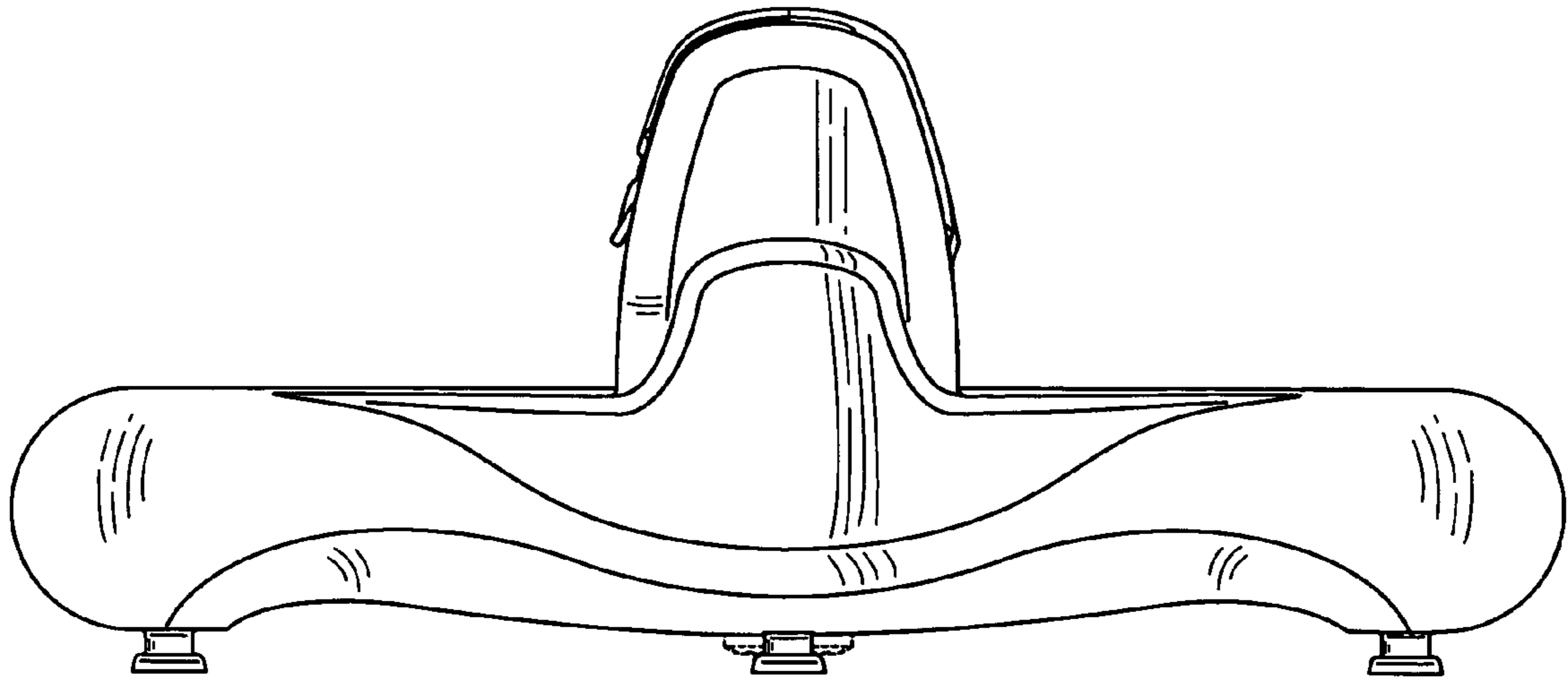


FIG. 5

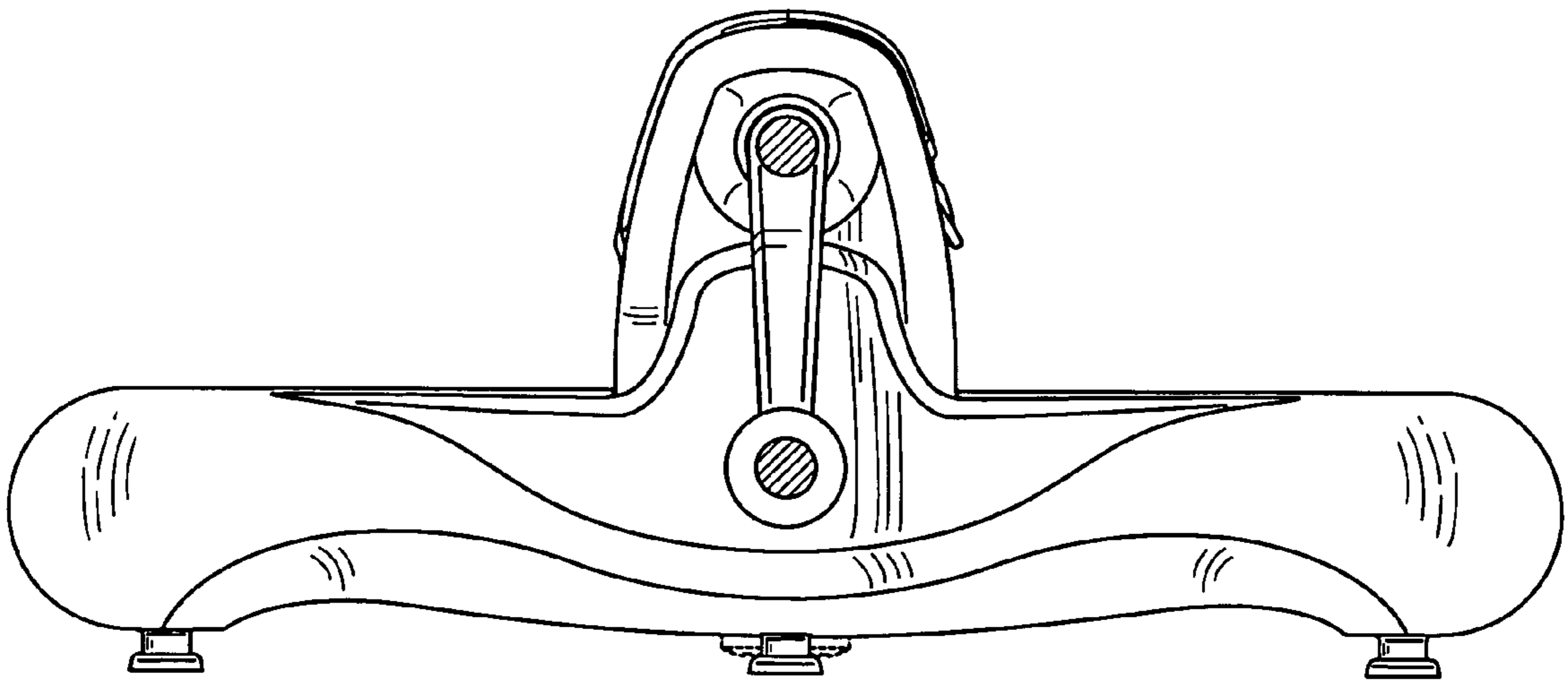


FIG. 6

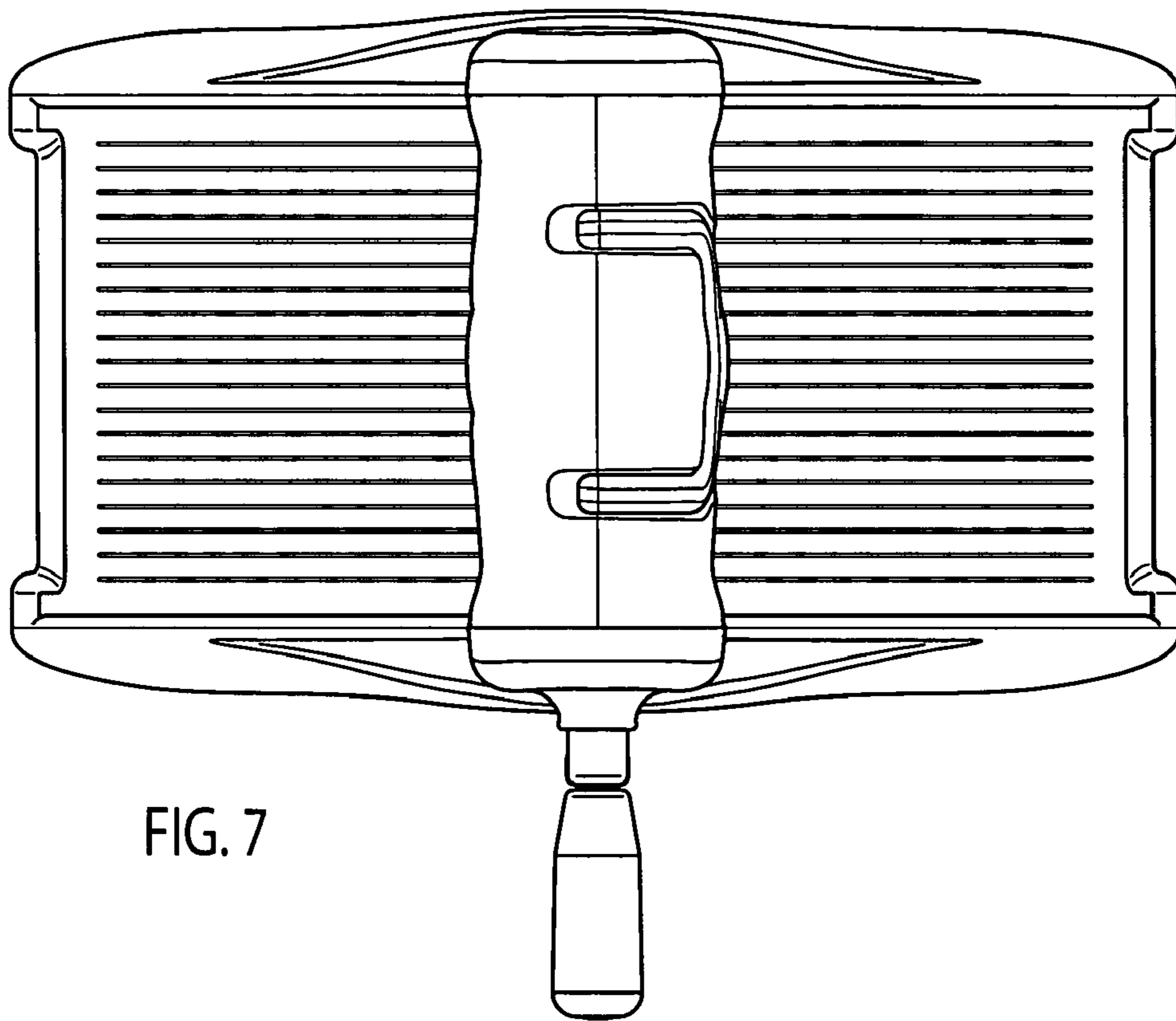


FIG. 7