



US00D607909S

(12) **United States Design Patent**  
**Haraldsson et al.**

(10) **Patent No.:** **US D607,909 S**  
(45) **Date of Patent:** **\*\* Jan. 12, 2010**

(54) **TISSUE MACHINE**

(75) Inventors: **Ulf Haraldsson**, Karlstad (SE); **Anders Lindén**, Karlstad (SE); **Petteri Venetjoki**, Helsinki (FI); **Leif Videgren**, Karlstad (SE)

(73) Assignee: **Metso Paper Karlstad AB**, Karlstad (SE)

(\*\*) Term: **14 Years**

(21) Appl. No.: **29/270,522**

(22) Filed: **Dec. 27, 2006**

(30) **Foreign Application Priority Data**

Jun. 27, 2006 (EM) ..... 000551601-0001/0024

(51) **LOC (9) Cl.** ..... **15-09**

(52) **U.S. Cl.** ..... **D15/122**

(58) **Field of Classification Search** ..... D15/122,  
D15/199; 162/109, 118, 271, 280, 287, 289,  
162/297, 301, 304, 305, 358.1, 358.3, 358.4,  
162/361, 363

See application file for complete search history.

(56) **References Cited**

**U.S. PATENT DOCUMENTS**

4,036,684	A *	7/1977	Schmitt et al.	162/301
4,472,244	A *	9/1984	Haltsonen	162/301
5,427,654	A *	6/1995	Gray et al.	162/301
6,702,925	B2 *	3/2004	Bricco et al.	162/289
6,755,940	B2 *	6/2004	Lin et al.	162/252
2005/0098282	A1 *	5/2005	Scherb	162/358.3

\* cited by examiner

*Primary Examiner*—Sandra Snapp

*Assistant Examiner*—Patricia Palasik

(74) *Attorney, Agent, or Firm*—Ked & Associates LLP

(57) **CLAIM**

The ornamental design for a “tissue machine,” as shown and described.

**DESCRIPTION**

FIG. 1 is a perspective view of the tissue machine of the present invention with a hood, canopy, dust enclosure, former component, press component and reel-up component;

FIG. 2 is a perspective view of the tissue machine with a hood, canopy, former component, press component and reel-up component, removed for ease of illustration;

FIG. 3 is a side view of the tissue machine of FIG. 2;

FIG. 4 is an opposite side view of the tissue machine of FIG. 2;

FIG. 5 is a perspective view of the tissue machine with a hood, former component, press component and reel-up component, removed for ease of illustration;

FIG. 6 is a perspective view of a former component, removed for ease of illustration;

FIG. 7 is a side view of the former component of FIG. 6;

FIG. 8 is an opposite side view of the former component of FIG. 6;

FIG. 9 is a perspective view of a press component with hood and canopy, removed for ease of illustration;

FIG. 10 is a side view of the press component of FIG. 9;

FIG. 11 is a perspective view of the press component with hood, removed for ease of illustration;

FIG. 12 is a side view of the press component of FIG. 11;

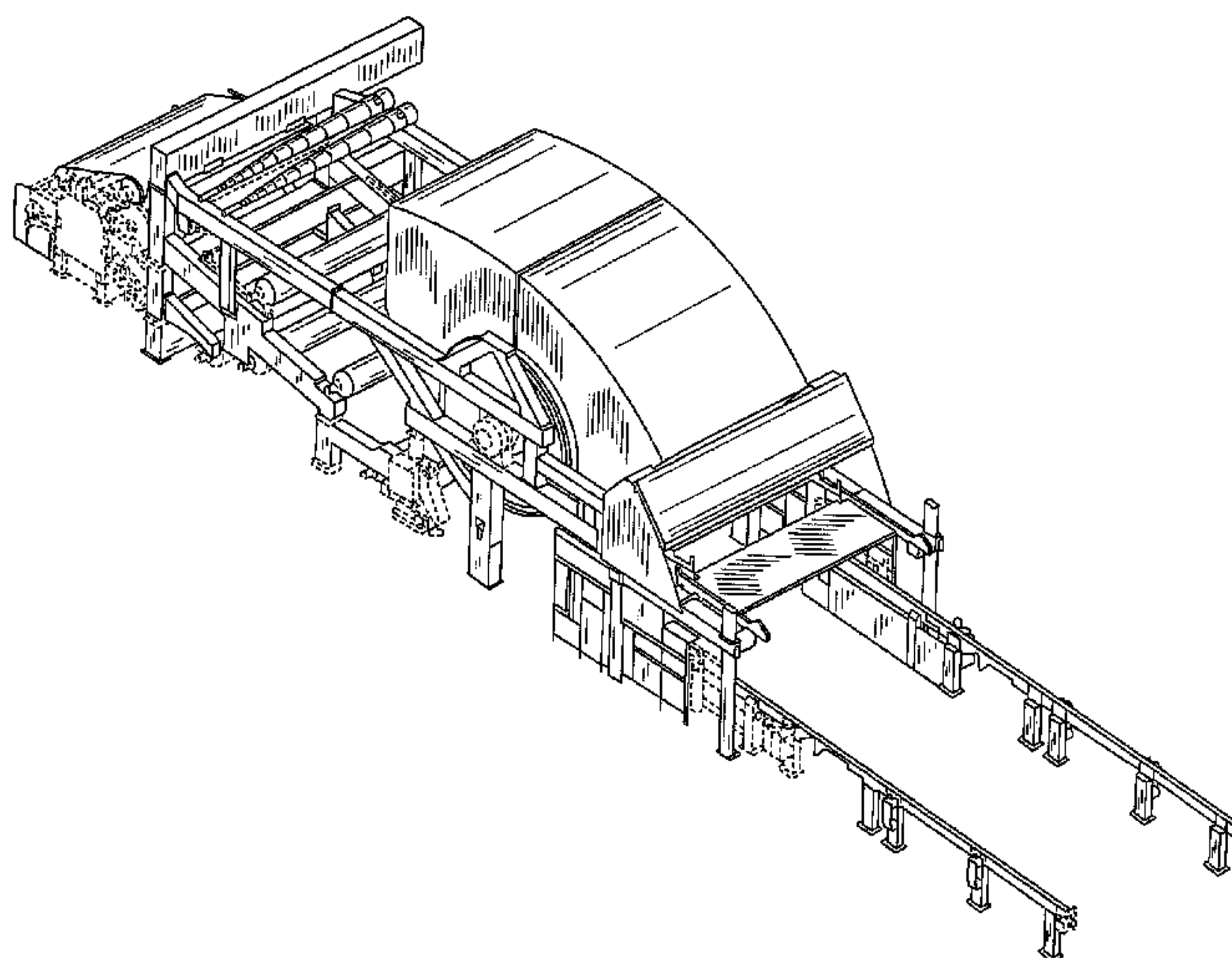
FIG. 13 is a side view of a reel-up component with dust cover, removed for ease of illustration;

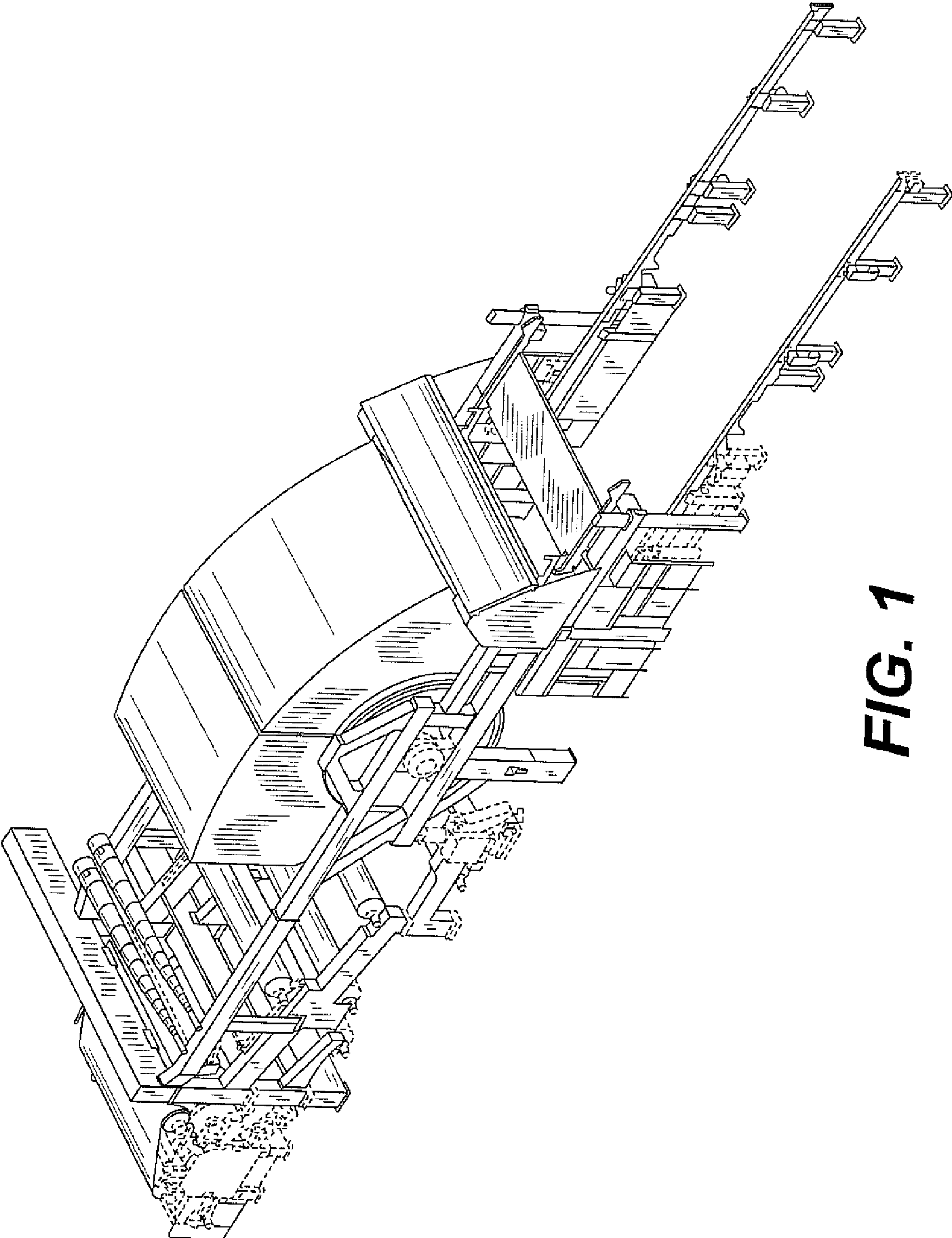
FIG. 14 is a side view of a reel-up component, removed for ease of illustration; and,

FIG. 15 is a side view of the reel-up component of FIG. 14.

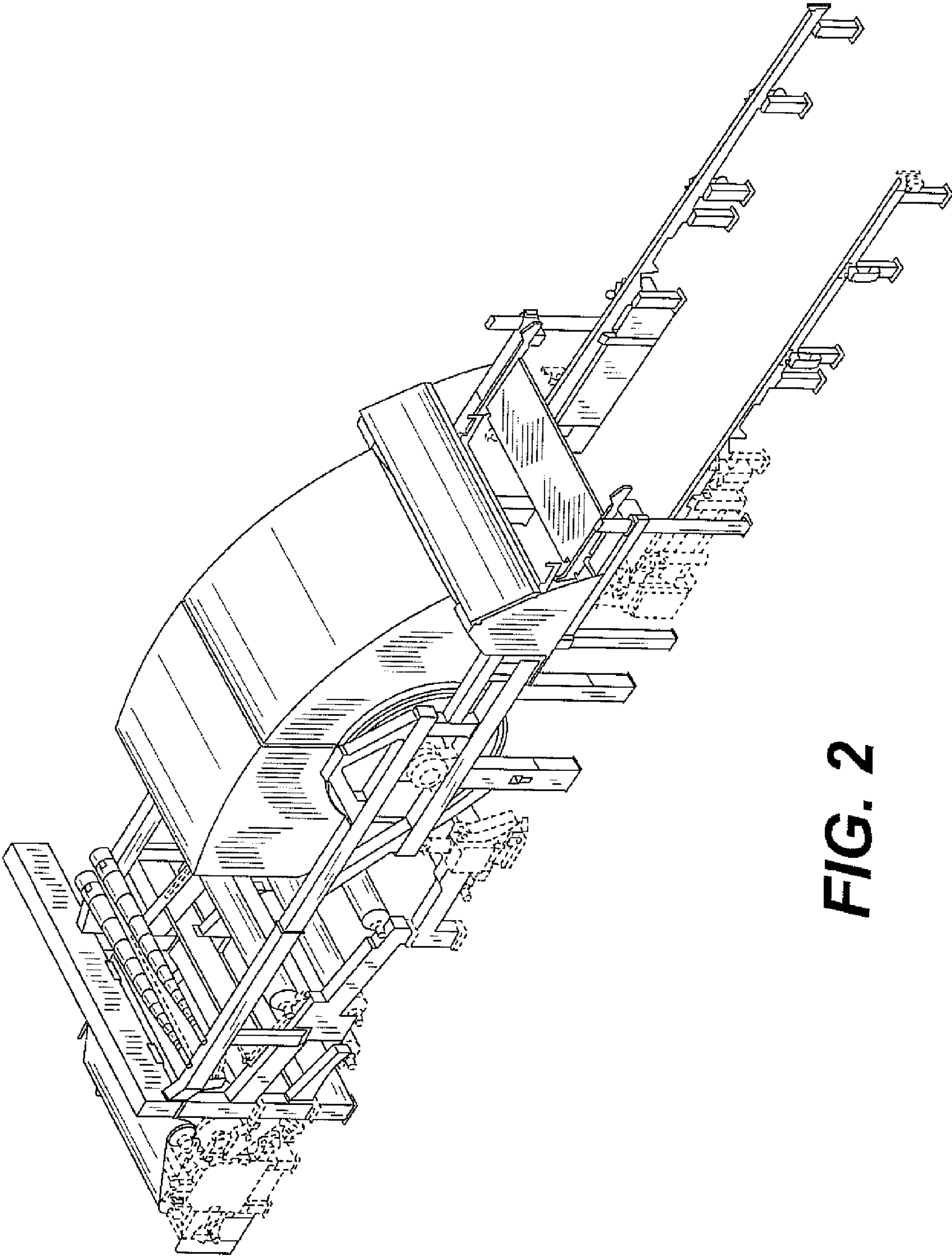
The broken lines in the drawings depict unclaimed environmental subject matter.

**1 Claim, 14 Drawing Sheets**



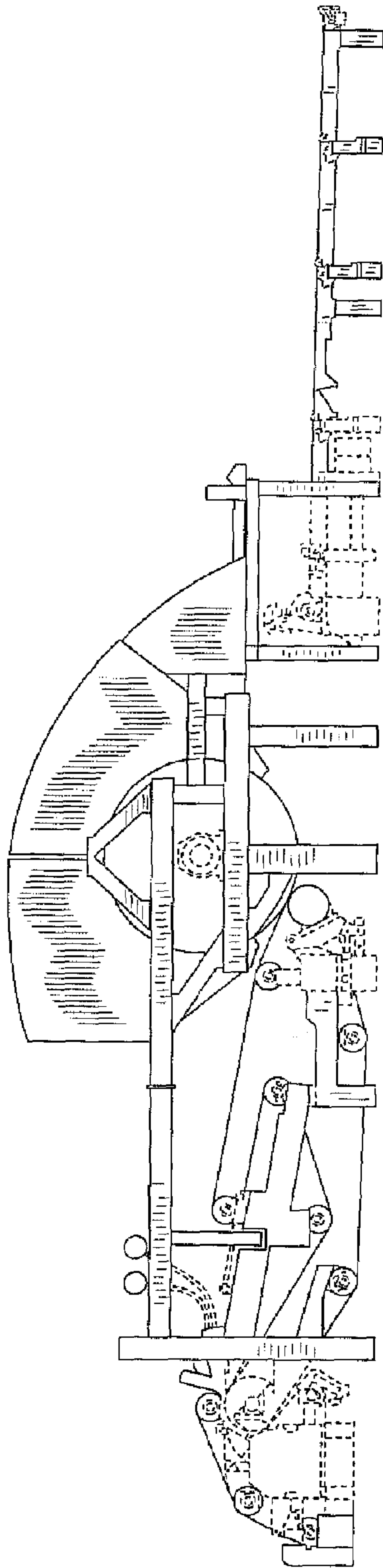


**FIG. 1**

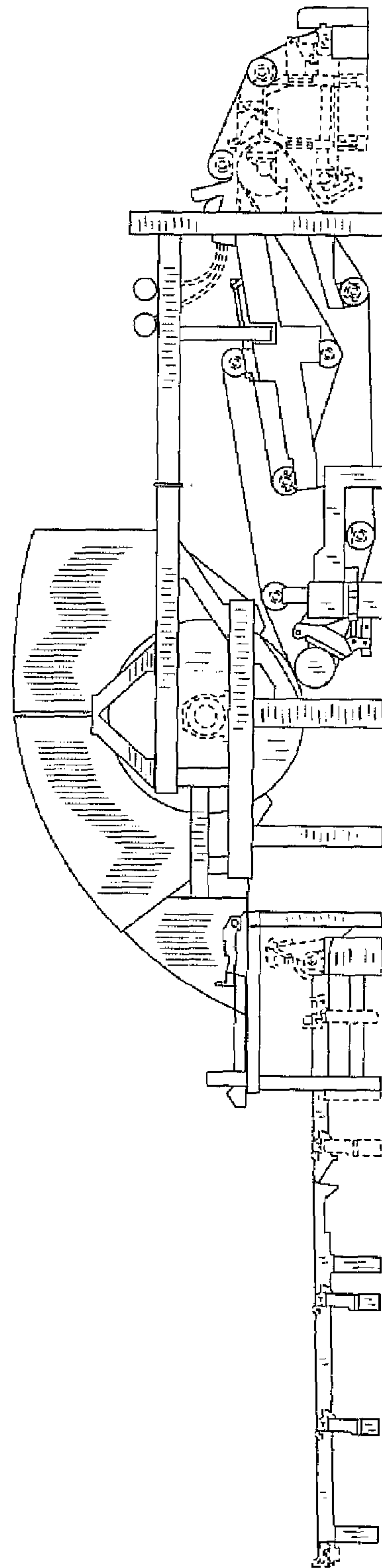


**FIG. 2**

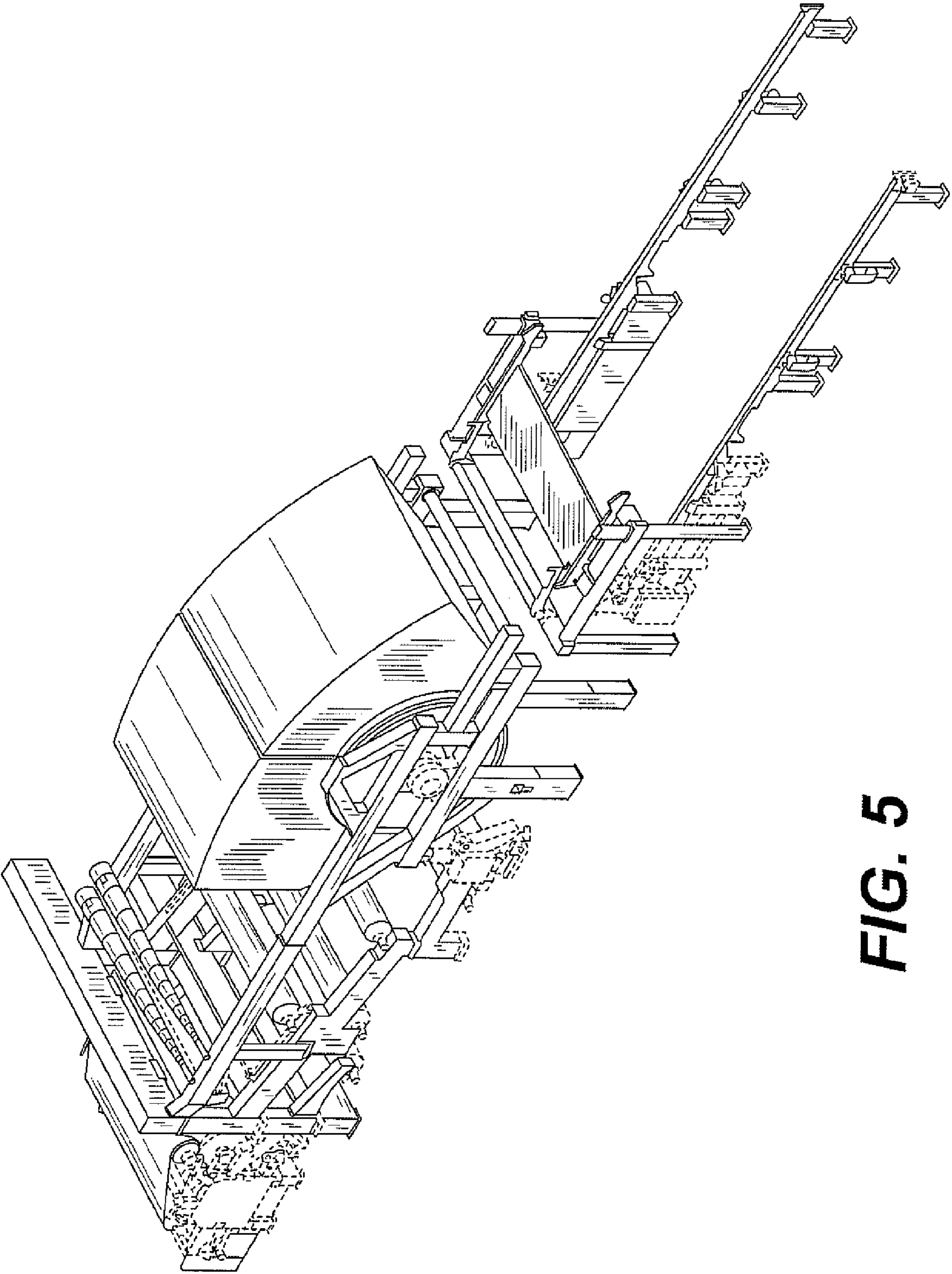




**FIG. 3**



**FIG. 4**



**FIG. 5**

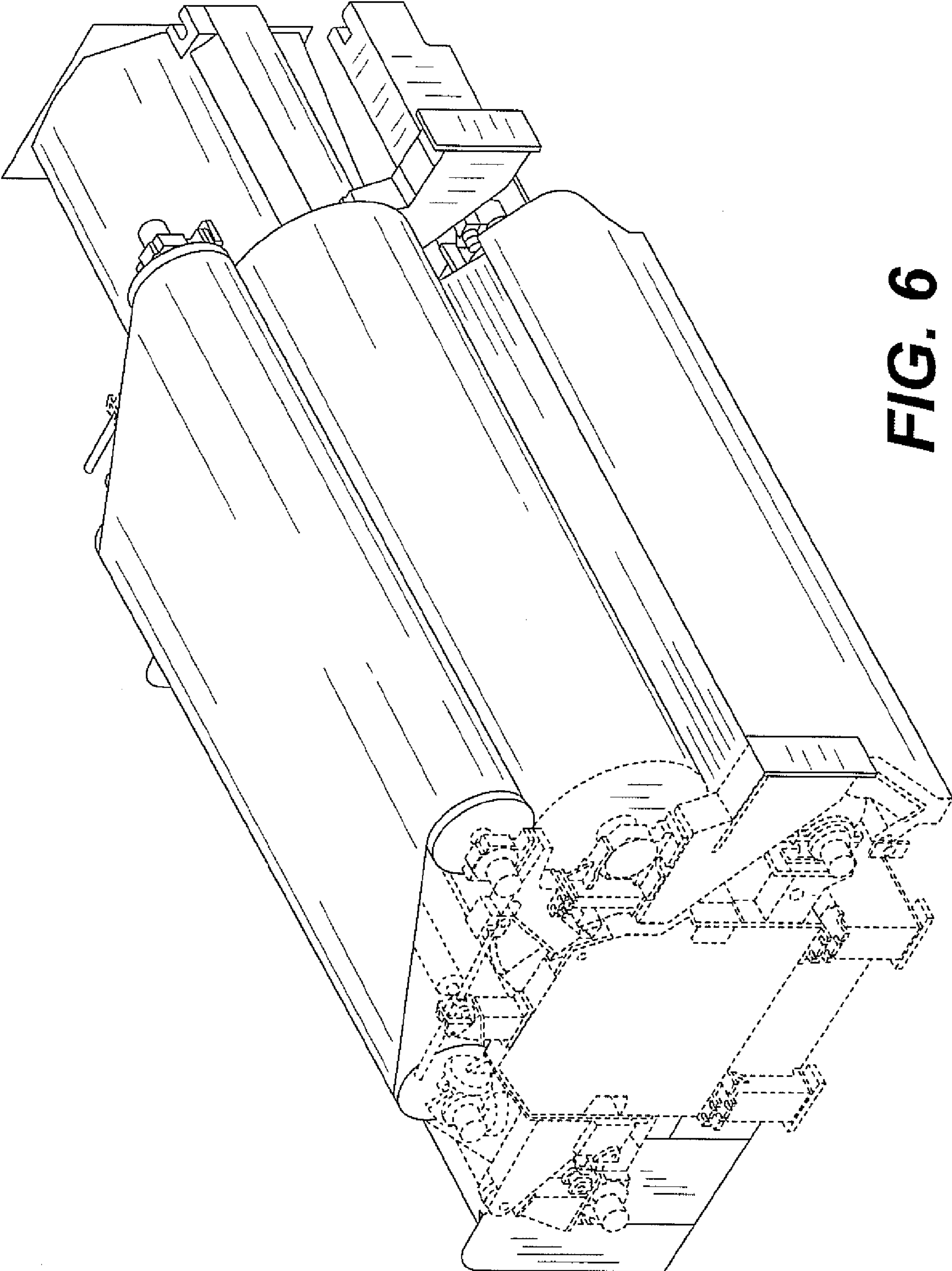
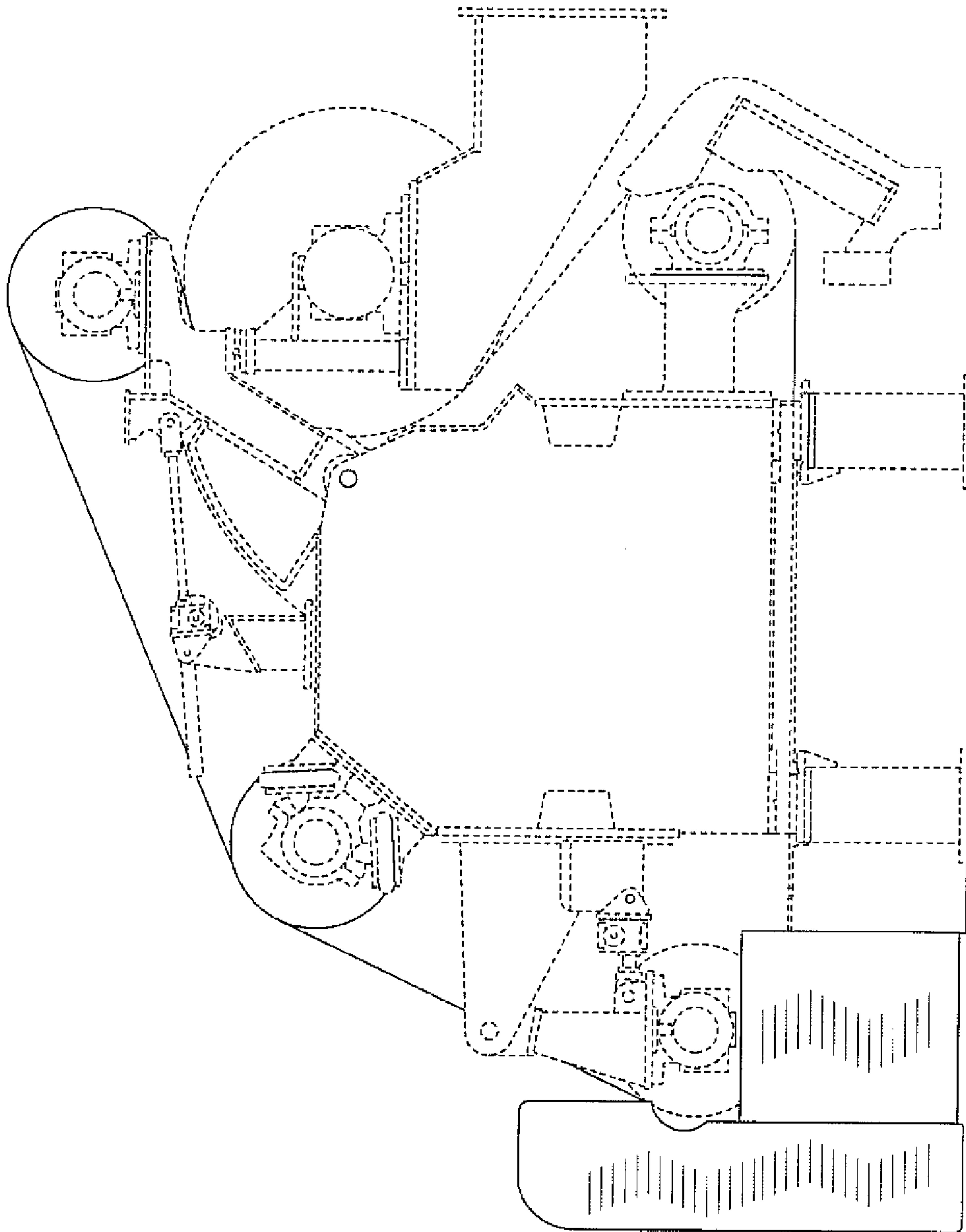
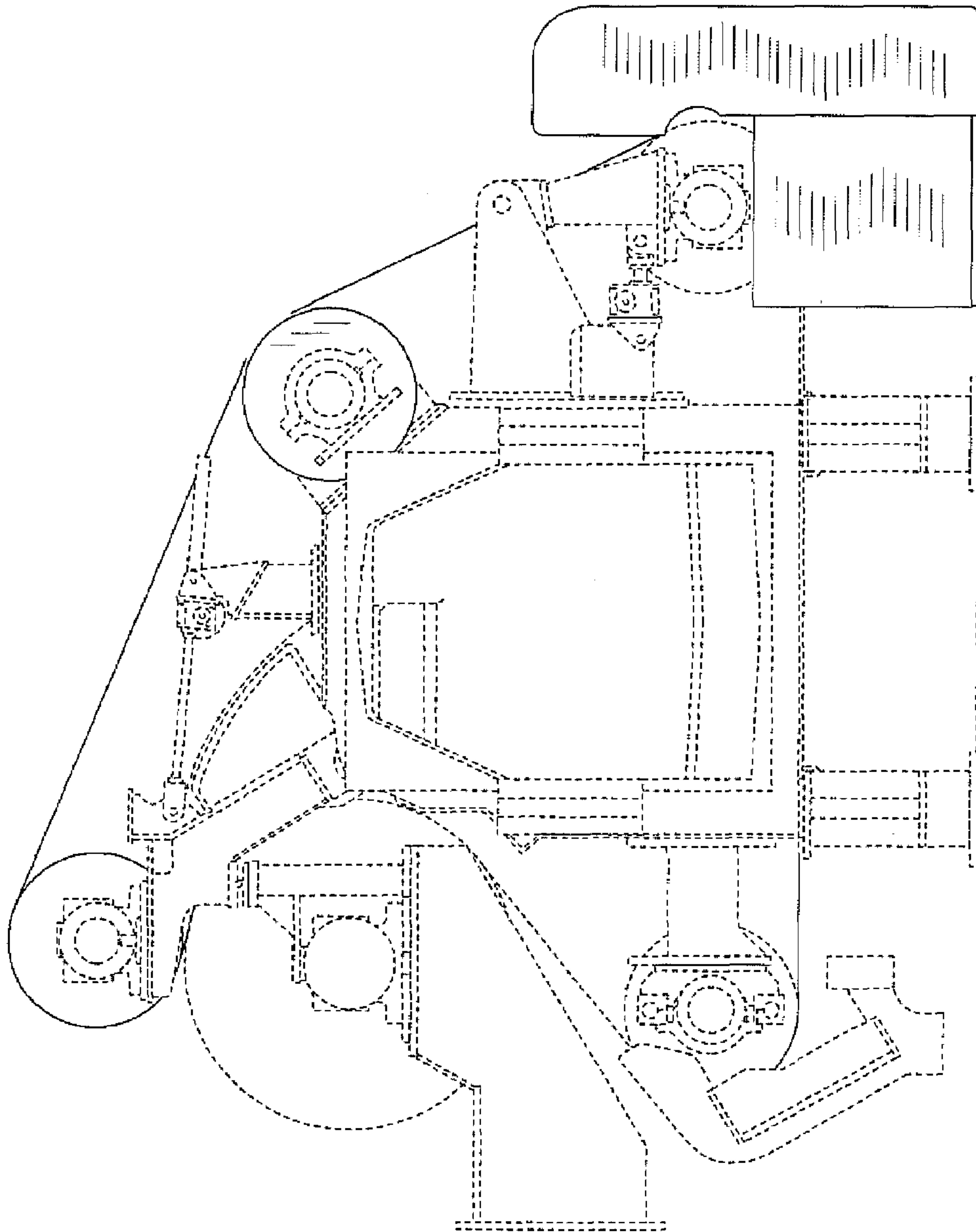


FIG. 6

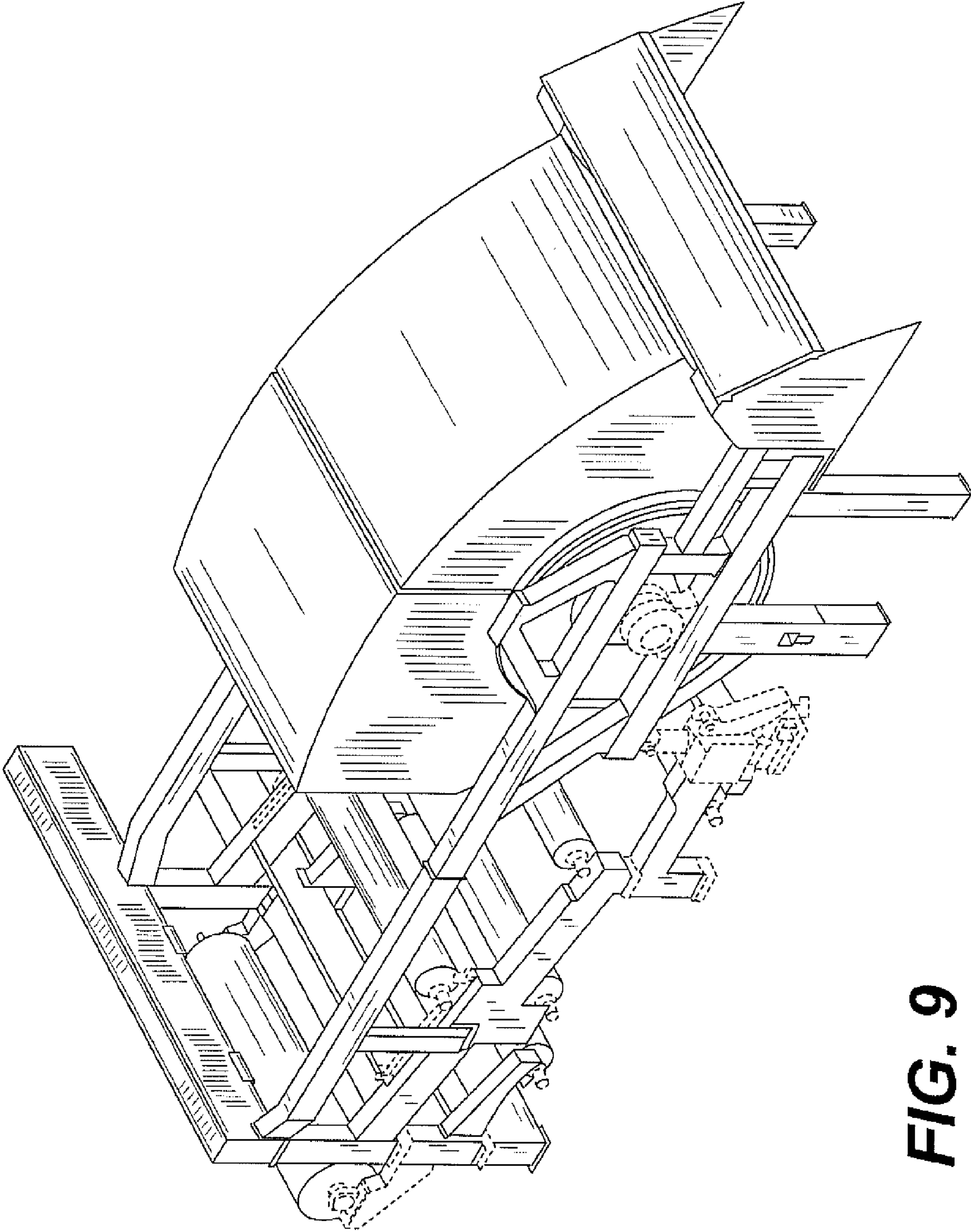


**FIG. 7**

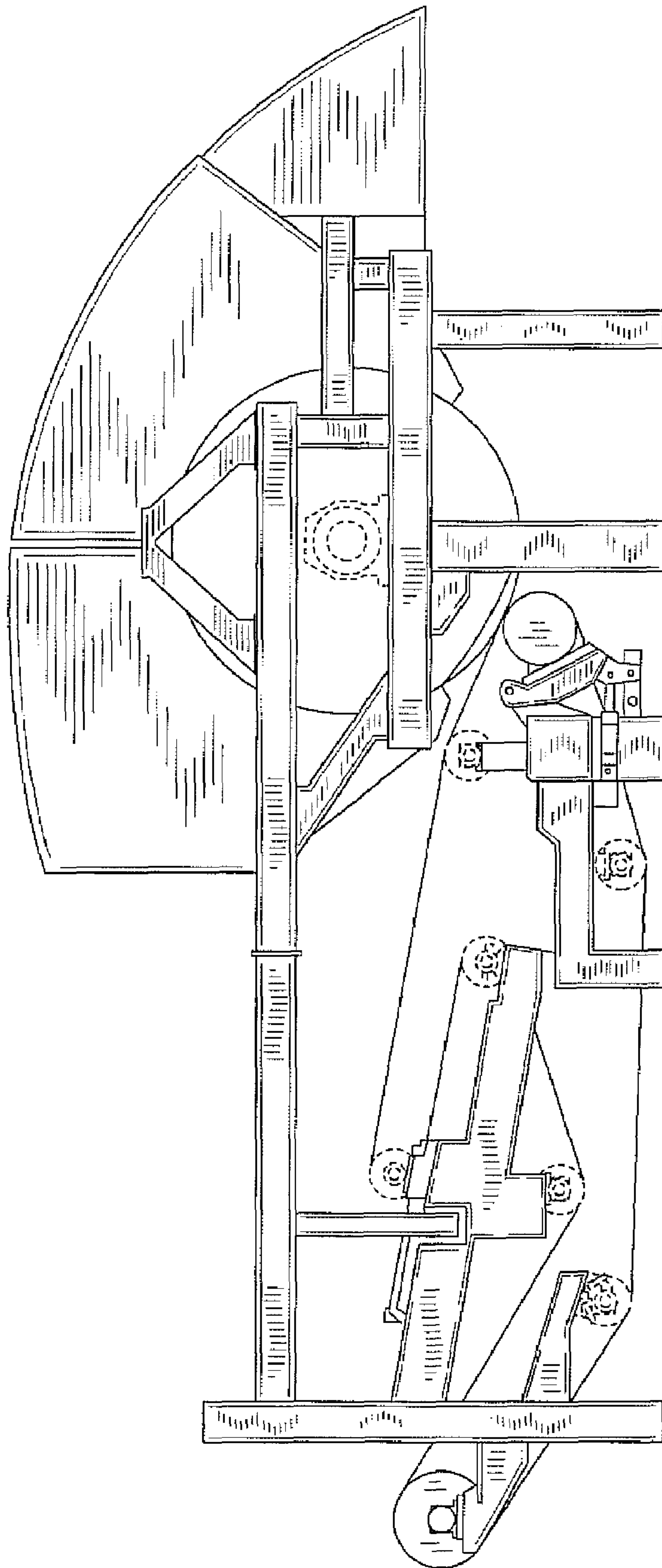


**FIG. 8**

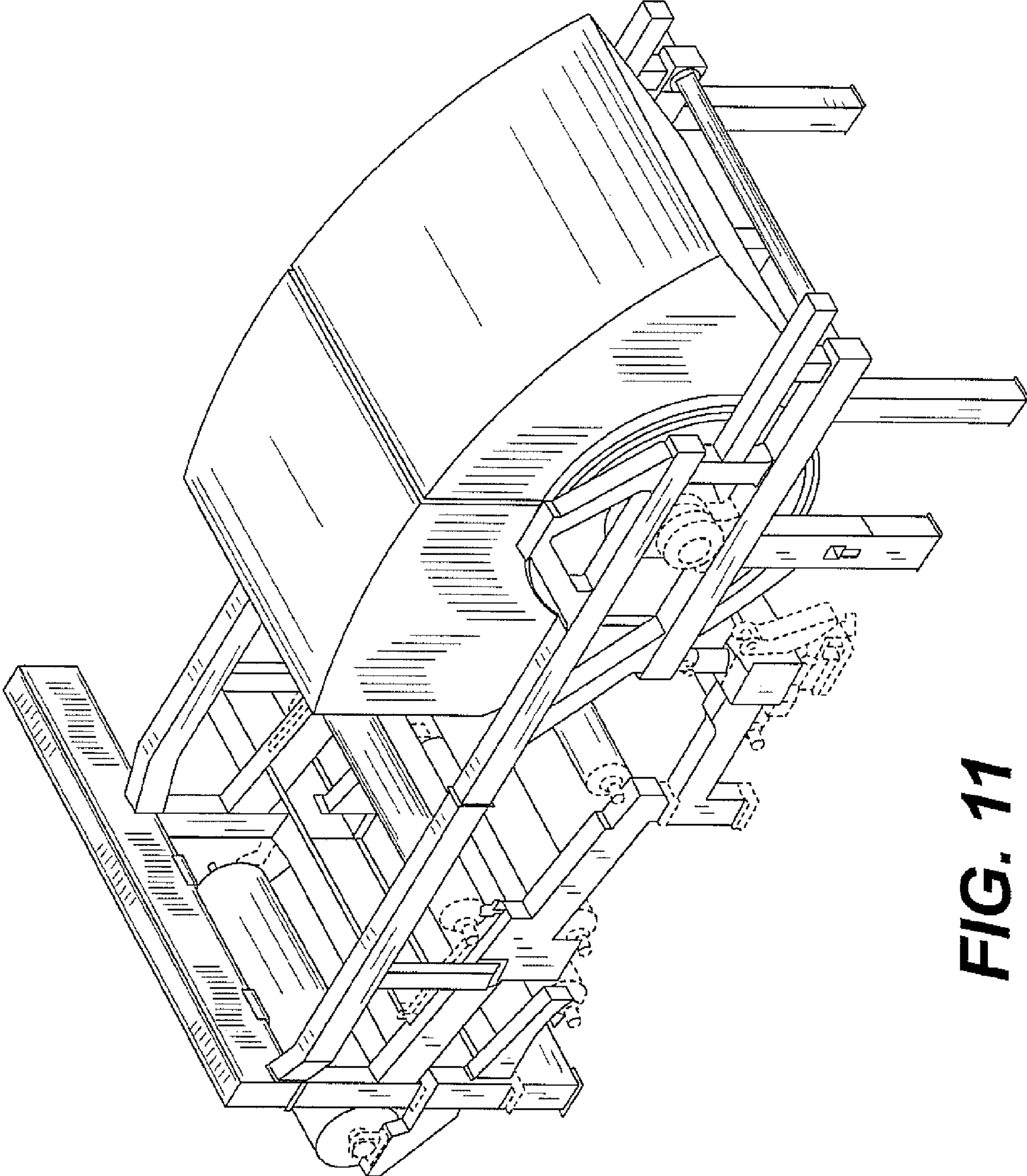




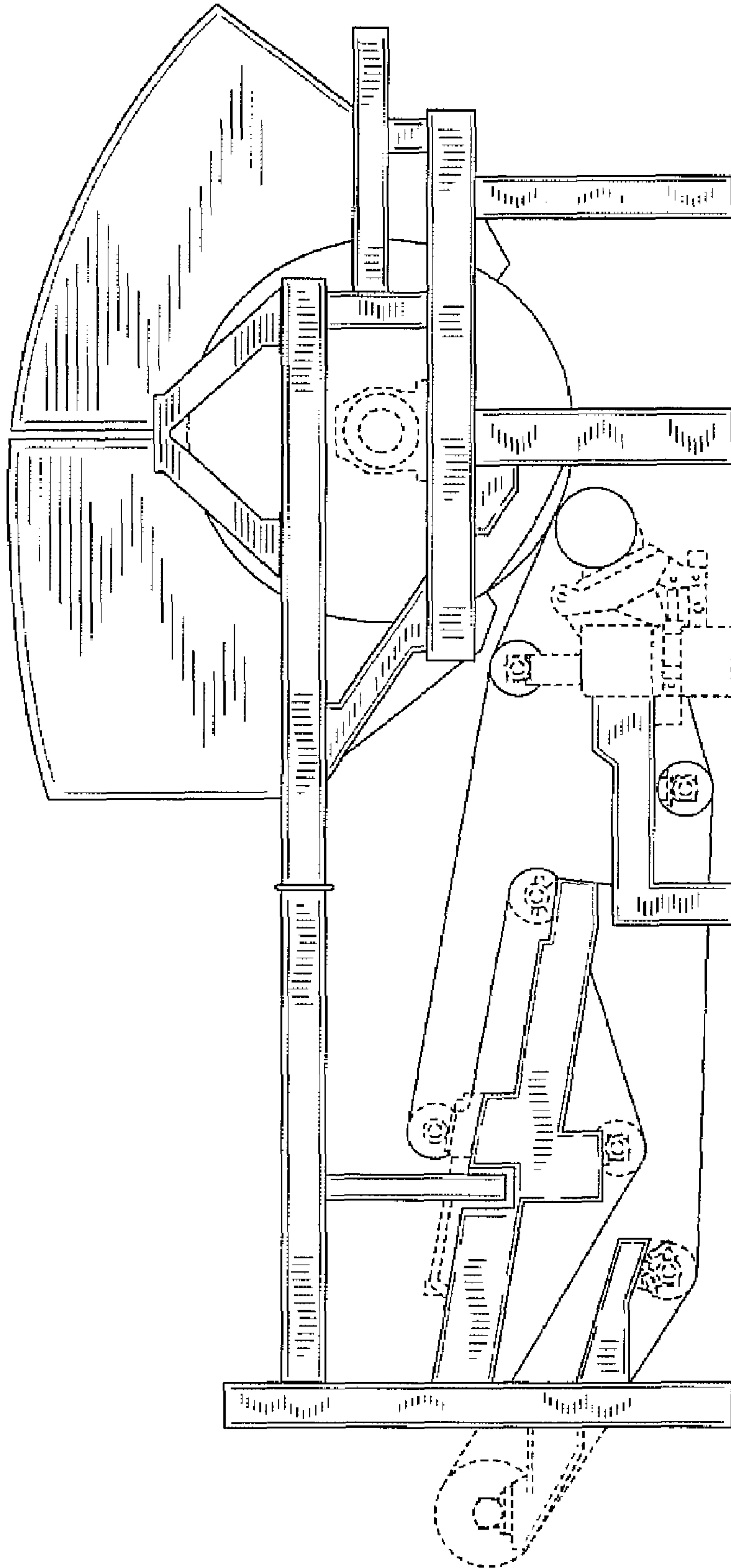
**FIG. 9**



**FIG. 10**

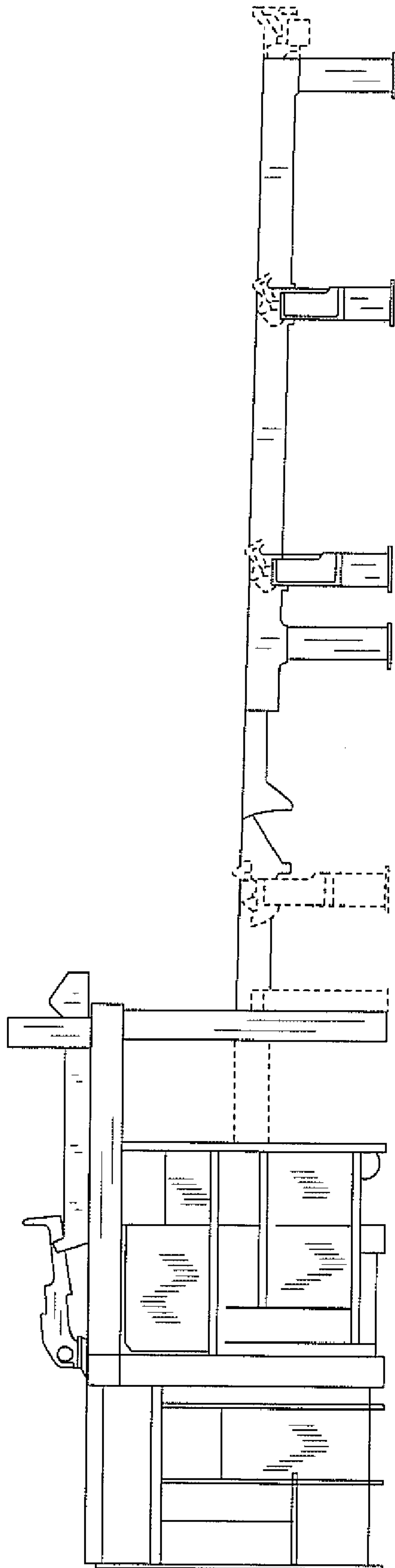


**FIG. 11**

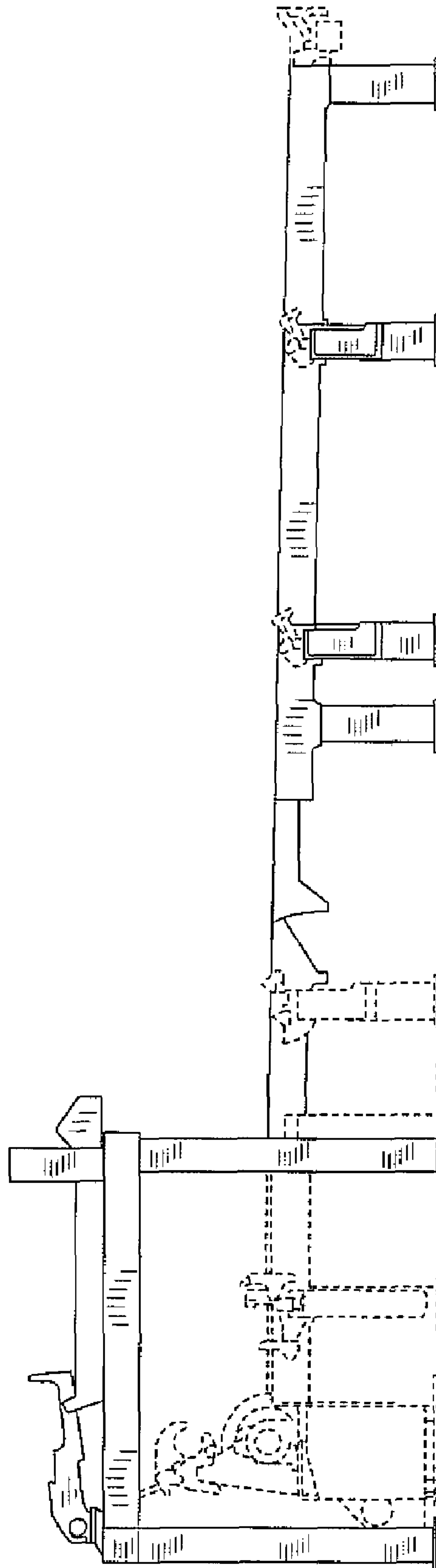


**FIG. 12**

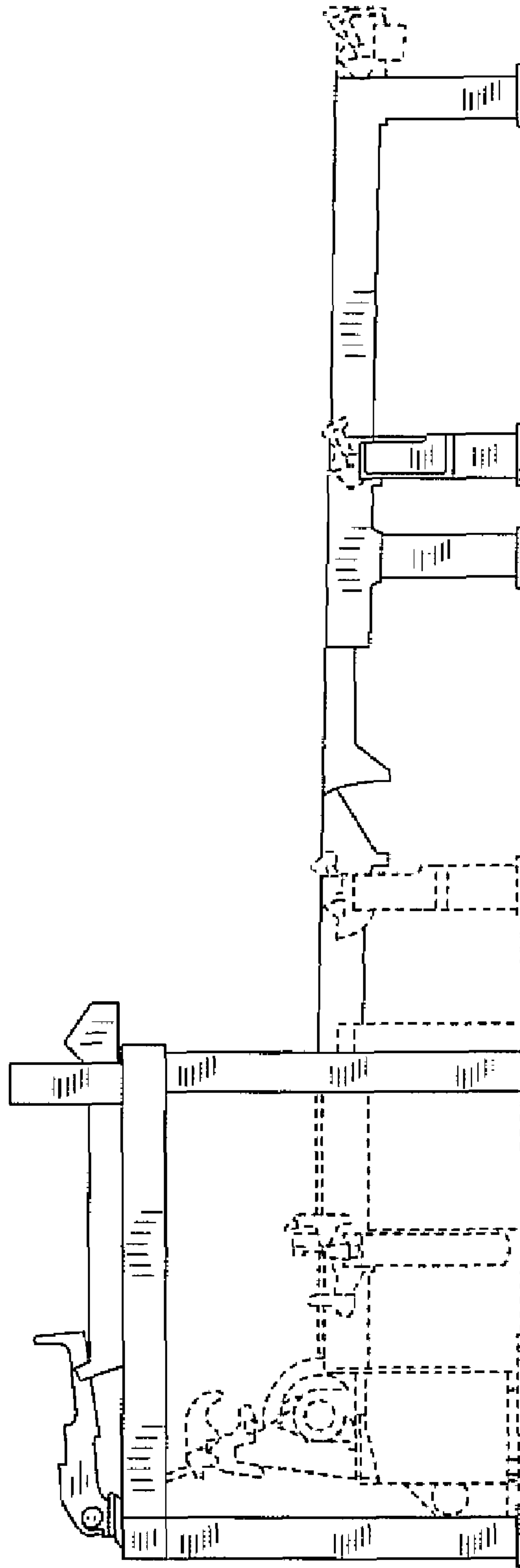




**FIG. 13**



**FIG. 14**



**FIG. 15**