



US00D607908S

(12) **United States Design Patent**
Leitner

(10) **Patent No.:** **US D607,908 S**
(45) **Date of Patent:** **** Jan. 12, 2010**

(54) **REFRIGERATING UNIT**

(75) Inventor: **Wolfgang Leitner**, Rottenmann (AT)

(73) Assignee: **AHT Cooling Systems GmbH**,
Rottenmann (AT)

(**) Term: **14 Years**

(21) Appl. No.: **29/294,704**

(22) Filed: **Jan. 24, 2008**

(51) **LOC (9) Cl.** **15-07**

(52) **U.S. Cl.** **D15/83; D15/79**

(58) **Field of Classification Search** D15/79,
D15/81, 83; 62/3.6, 3.63, 3.64, 246-257;
312/236, 400-408; D6/437, 470, 471, 473
See application file for complete search history.

(56) **References Cited**

U.S. PATENT DOCUMENTS

D236,550 S *	8/1975	Cann	D15/84
D440,432 S *	4/2001	Topper et al.	D6/471
D569,396 S *	5/2008	Bondorff et al.	D15/84
D572,731 S *	7/2008	Bondorff et al.	D15/84
D589,539 S *	3/2009	Terada et al.	D15/81

OTHER PUBLICATIONS

U.S. Appl. No. 29/294,703, filed Jan. 24, 2008.

* cited by examiner

Primary Examiner—Stella M Reid
Assistant Examiner—Shanda C Hill

(74) *Attorney, Agent, or Firm*—Fross Zelnick Lehrman &
Zissu, P.C.; Charles T. J. Weigell, Esq.

(57) **CLAIM**

The ornamental design for a refrigerating unit, as shown and described.

DESCRIPTION

FIG. 1 is a perspective view of a refrigerating unit showing the new design;

FIG. 2 is a top perspective view of the refrigerating unit shown in FIG. 1;

FIG. 3 is a rear perspective view of the refrigerating unit shown in FIG. 1;

FIG. 4 is a front view of the refrigerating unit shown in FIG. 1;

FIG. 5 is a rear view of the refrigerating unit shown in FIG. 1;

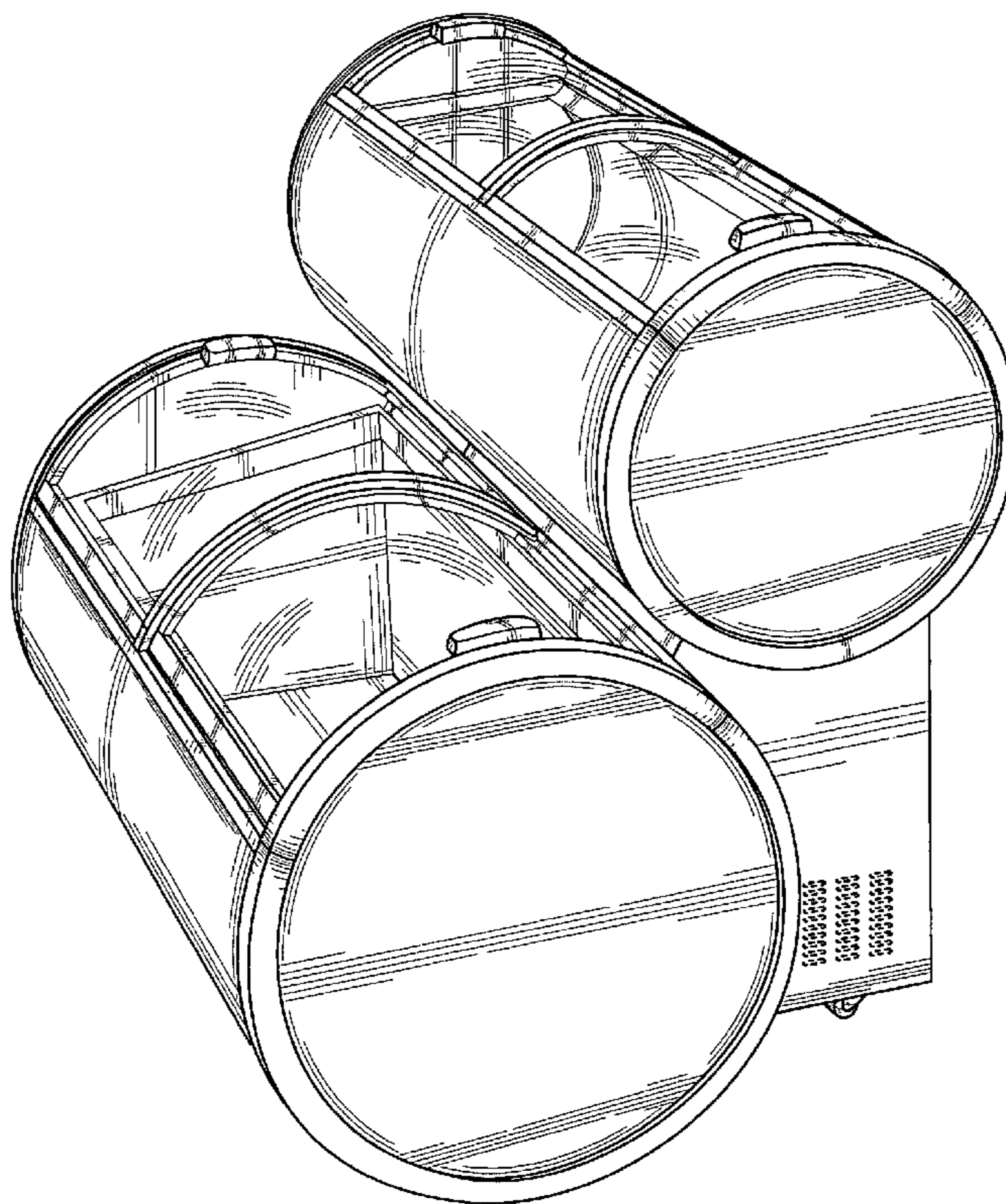
FIG. 6 is a left side view of the refrigerating unit shown in FIG. 1, with the right side view being a mirror image thereof;

FIG. 7 is a top view of the refrigerating unit shown in FIG. 1; and,

FIG. 8 is a bottom view of the refrigerating unit shown in FIG. 1.

The broken line showing of the side, rear, and bottom vents is for illustrative purposes only and forms no part of the claimed design.

1 Claim, 8 Drawing Sheets



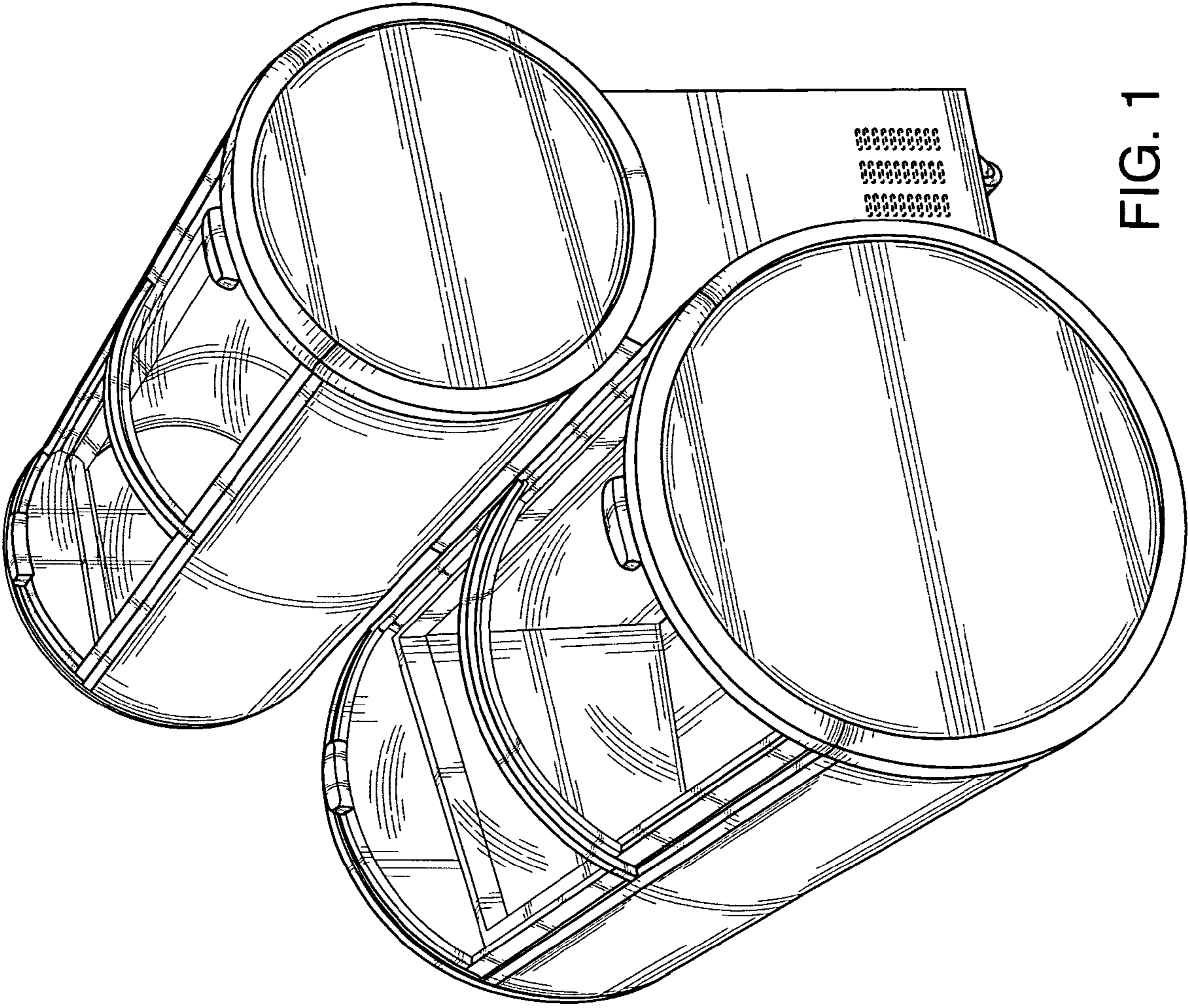


FIG. 1

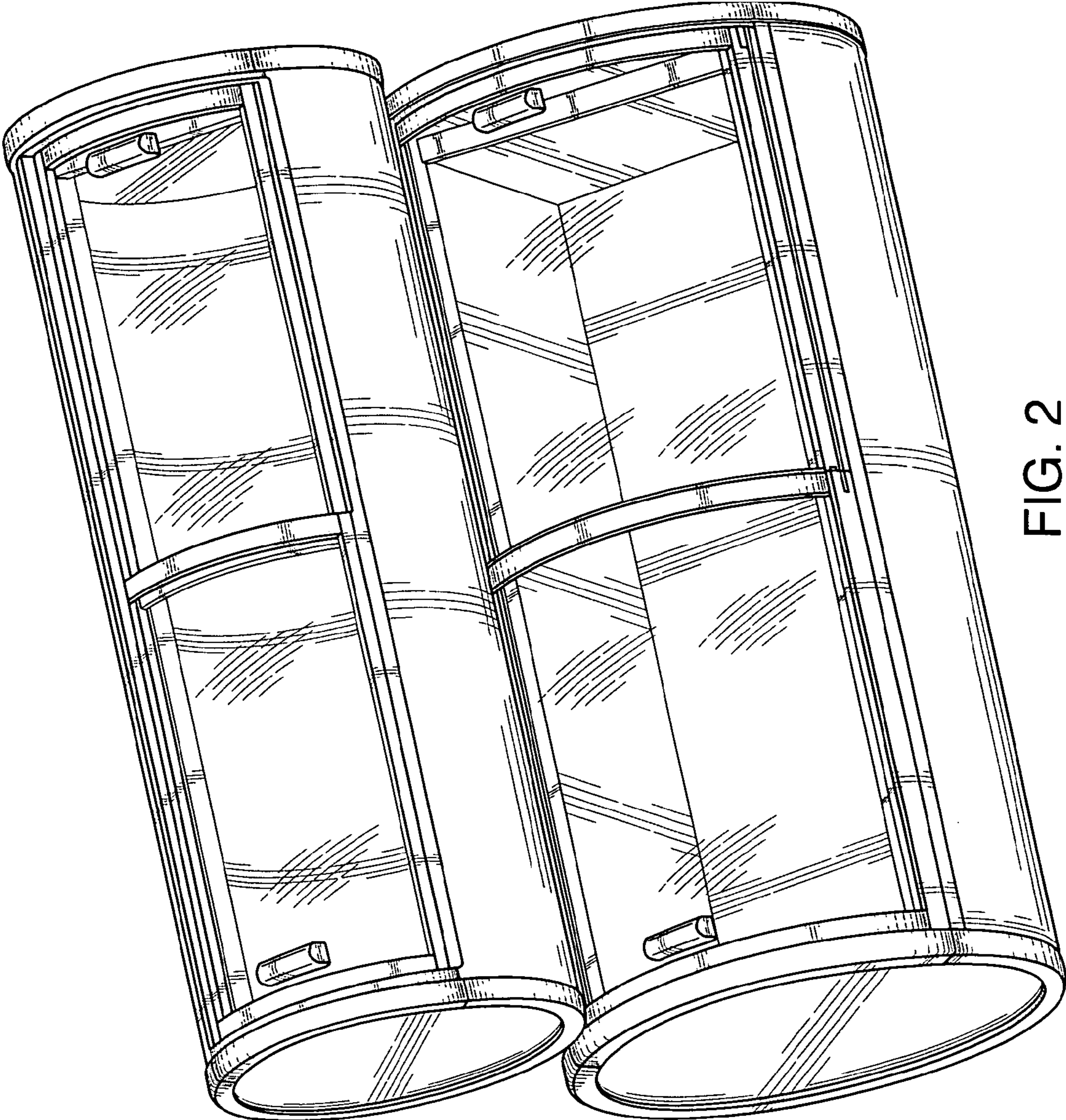


FIG. 2

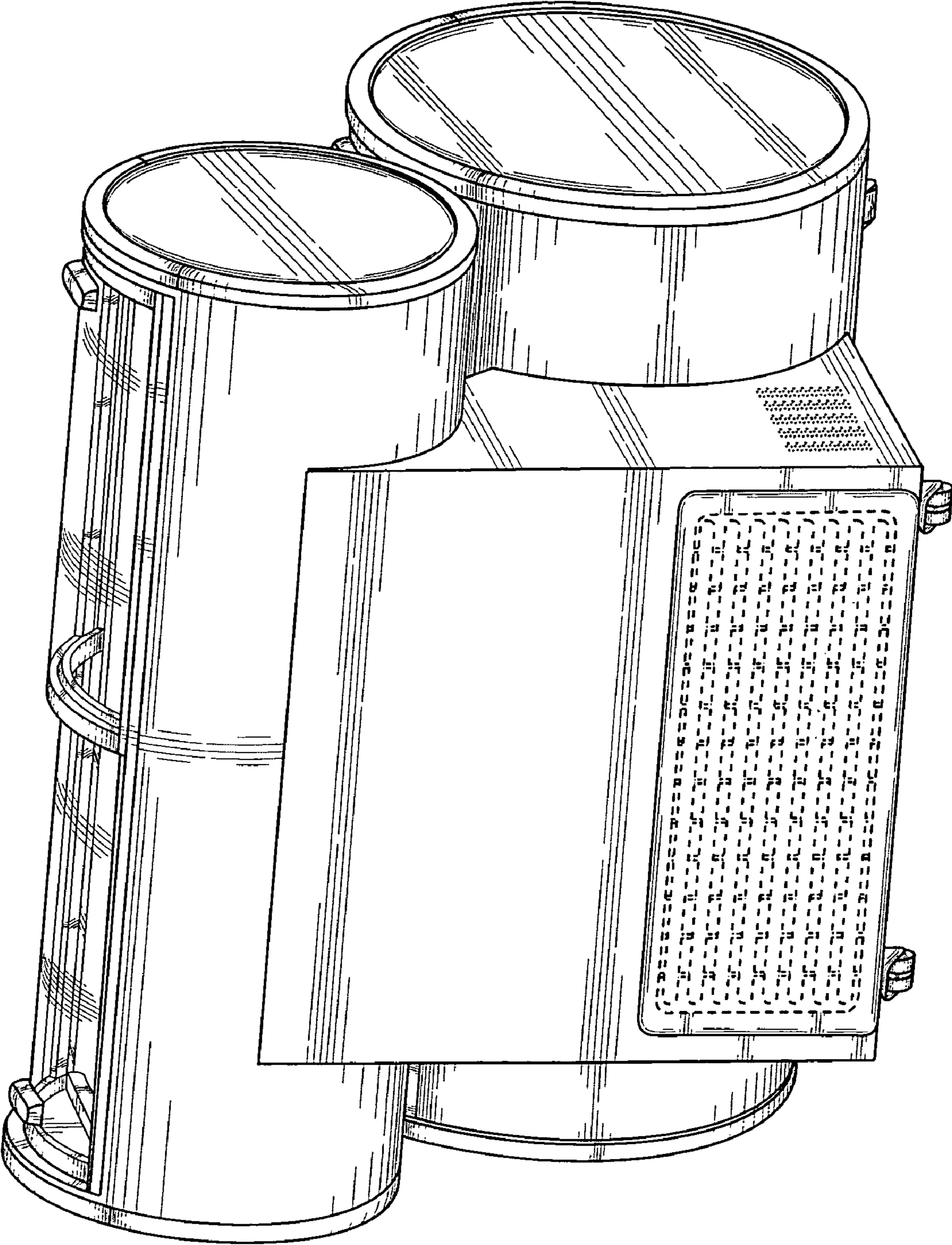


FIG. 3

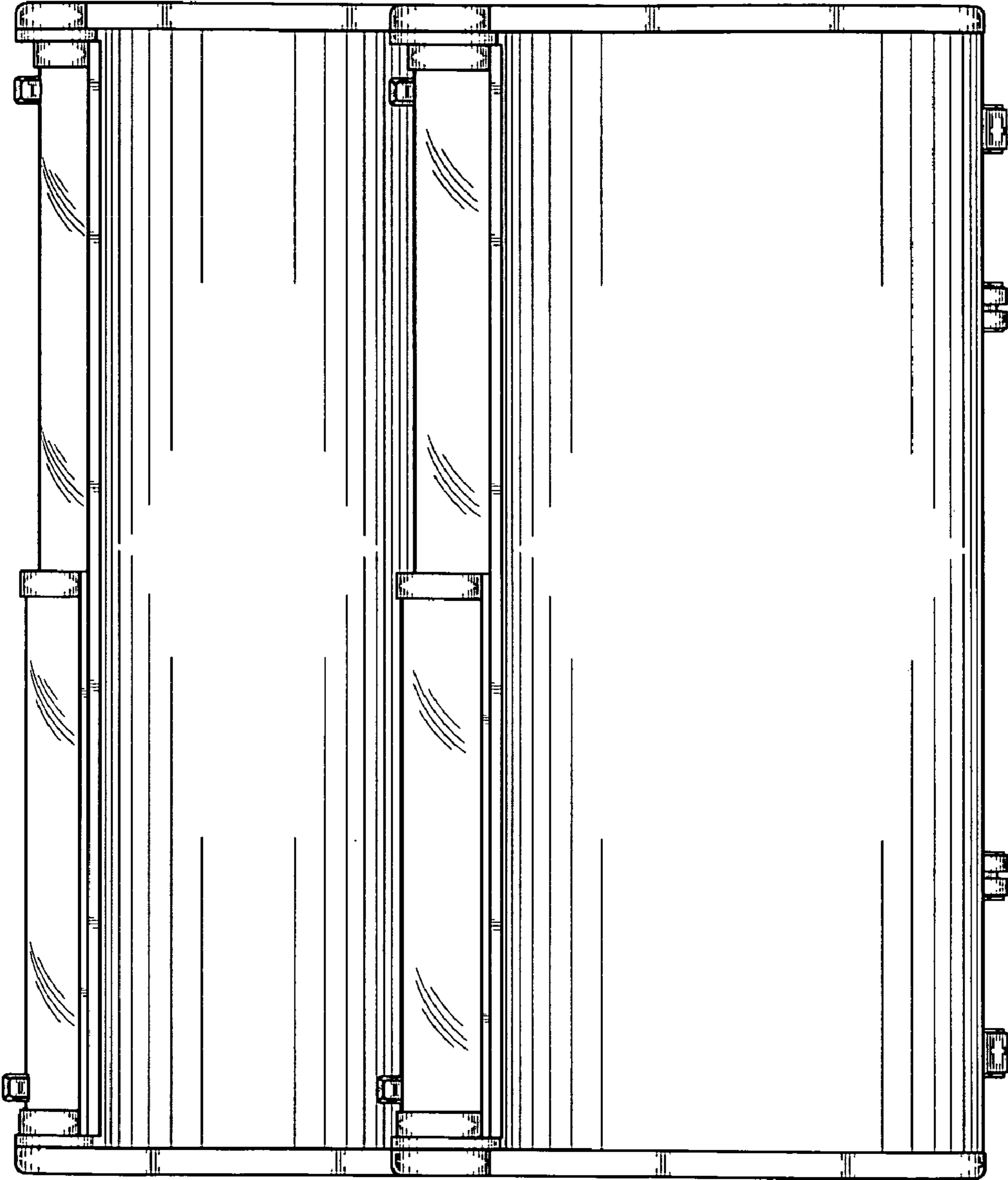


FIG. 4

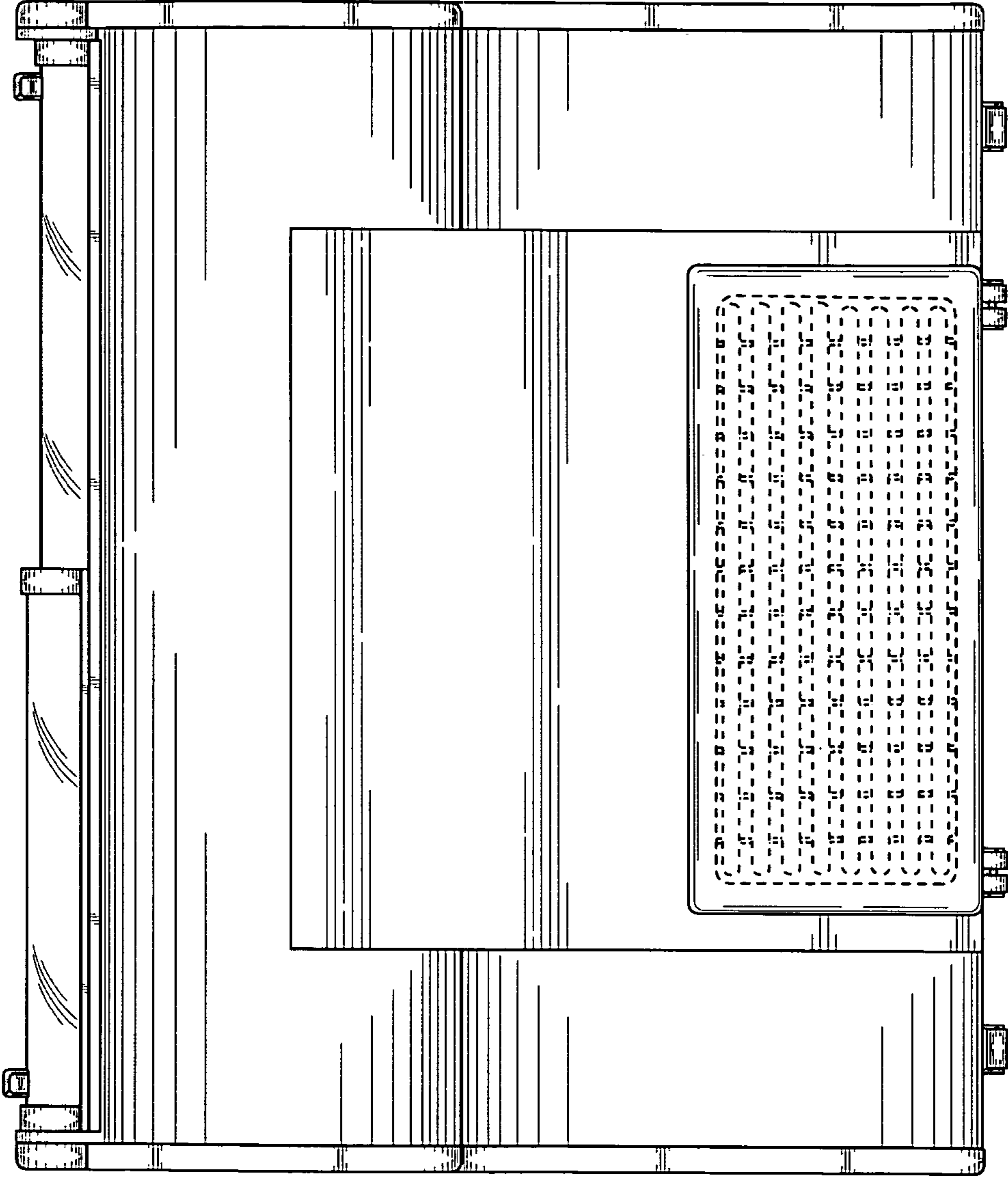


FIG. 5

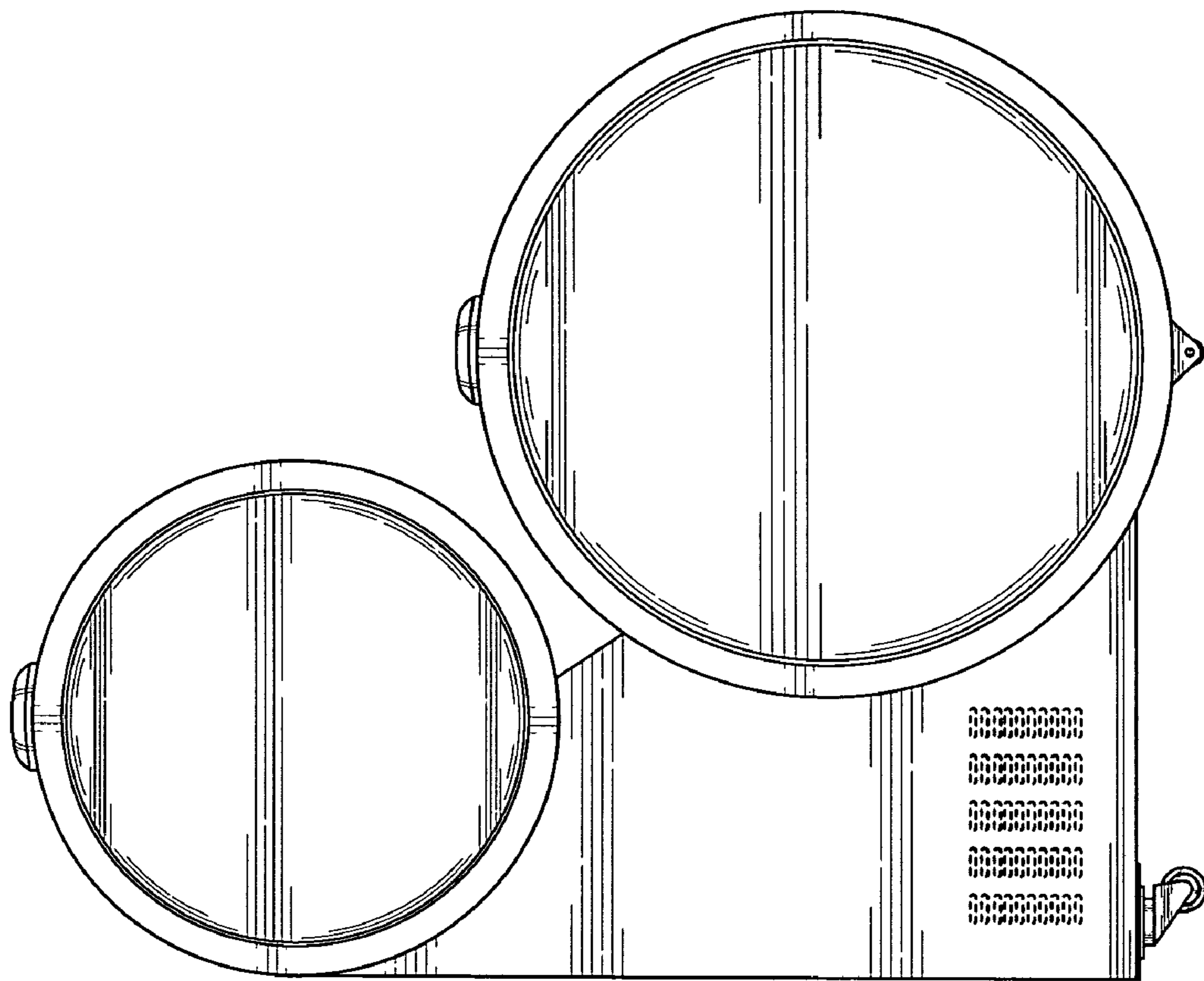


FIG. 6

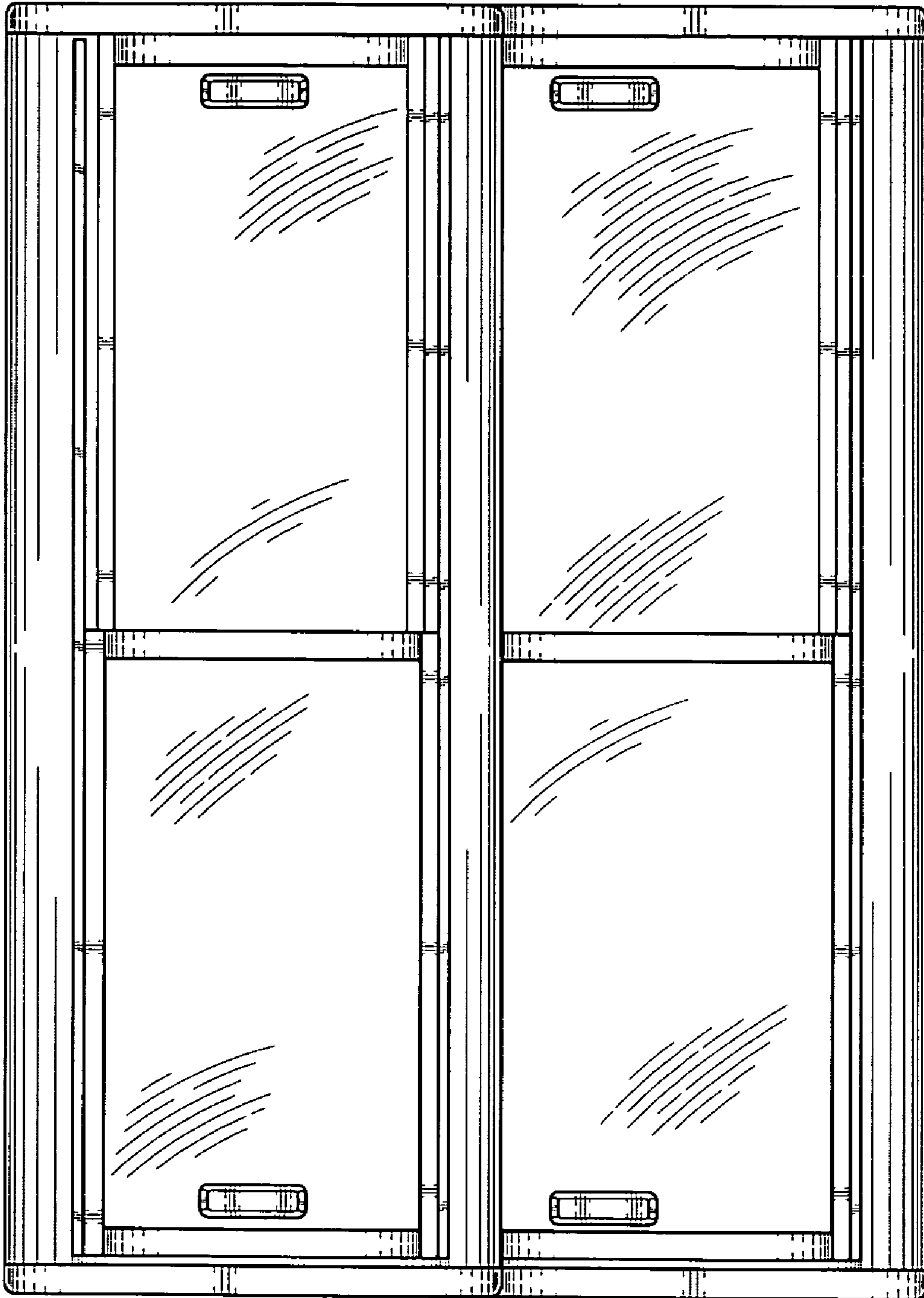


FIG. 7

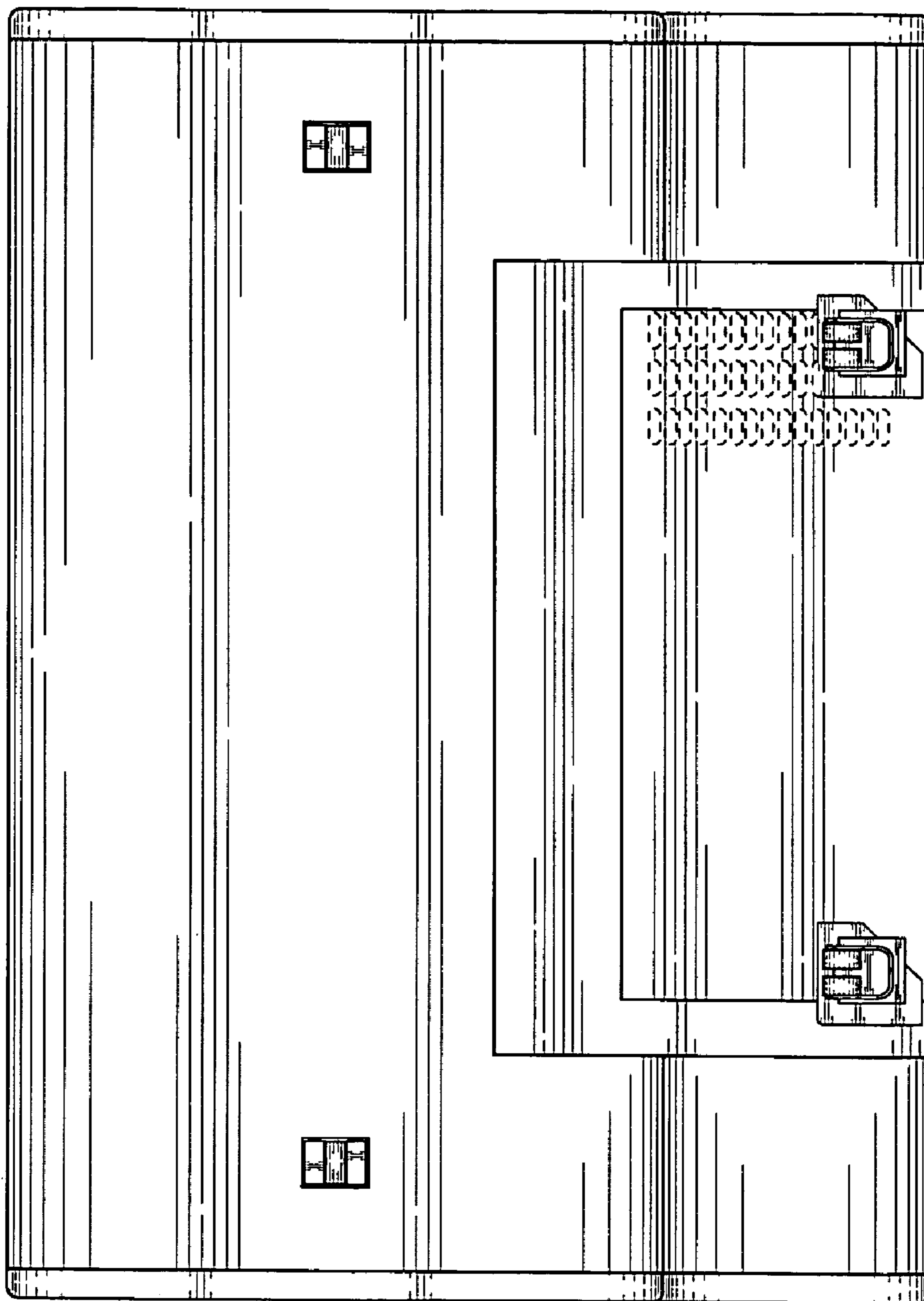


FIG. 8

UNITED STATES PATENT AND TRADEMARK OFFICE
CERTIFICATE OF CORRECTION

PATENT NO. : Des. 607,908 S
APPLICATION NO. : 29/294704
DATED : January 12, 2010
INVENTOR(S) : Wolfgang Leitner

Page 1 of 1

It is certified that error appears in the above-identified patent and that said Letters Patent is hereby corrected as shown below:

On the title page, item: (30) Foreign Application Priority Data should read

(30) Foreign Application Priority Data

July 26, 2007 (EM)000765409-0001

Signed and Sealed this

Eighteenth Day of May, 2010



David J. Kappos
Director of the United States Patent and Trademark Office