

US00D607906S

(12) **United States Design Patent**
Reisenauer et al.

(10) **Patent No.:** **US D607,906 S**
(45) **Date of Patent:** **** Jan. 12, 2010**

(54) **EXCAVATOR BODY EXTERIOR**
(75) Inventors: **Daniel L. Reisenauer**, Mandan, ND
(US); **Michael D. Wetzel**, Bismarck, ND
(US); **Scott W. Becker**, Bismarck, ND
(US)

(73) Assignee: **Clark Equipment Company**, West
Fargo, ND (US)

(**) Term: **14 Years**

(21) Appl. No.: **29/336,775**

(22) Filed: **May 8, 2009**

(51) **LOC (9) Cl.** **15-03**

(52) **U.S. Cl.** **D15/33**

(58) **Field of Classification Search** D15/10,
D15/15, 22-26, 28, 30, 33; D12/96; D34/37;
180/89.1, 89.12, 89.13, 311, 900; 296/190.01,
296/190.03, 181.1; 414/680, 685, 687, 688,
414/694

See application file for complete search history.

(56) **References Cited**

U.S. PATENT DOCUMENTS

D208,402 S *	8/1967	Hofmann	D15/30
D210,658 S *	4/1968	Lazzeroni	D15/30
D248,475 S *	7/1978	Parks et al.	D15/30
5,096,253 A *	3/1992	Jo et al.	296/190.1
D338,019 S *	8/1993	Bhambra	D15/25
D432,144 S *	10/2000	Kraft et al.	D15/30
D432,145 S *	10/2000	Kraft et al.	D15/30
D433,689 S *	11/2000	Kraft et al.	D15/30
D436,605 S *	1/2001	Shaw et al.	D15/30
D455,763 S *	4/2002	Brandenburg et al.	D15/30
D463,462 S *	9/2002	Yanagida et al.	D15/30
D471,213 S *	3/2003	Kwak et al.	D15/30
D481,044 S	10/2003	Tokach et al.		
D487,575 S	3/2004	Wetzel et al.		
D490,444 S *	5/2004	Kuwae	D15/33
D494,986 S	8/2004	Tokach et al.		
D497,920 S *	11/2004	Antonetti	D15/30
D523,029 S *	6/2006	Crawford et al.	D15/30
D523,875 S *	6/2006	Kim	D15/30
D528,134 S *	9/2006	Vandendriessche et al.	..	D15/30

D538,305 S *	3/2007	Smith et al.	D15/30
D541,825 S *	5/2007	Pettersson	D15/30
D541,826 S *	5/2007	Brush et al.	D15/30
D548,753 S *	8/2007	Kim	D15/30
D549,245 S *	8/2007	Antonetti	D15/30
D549,742 S *	8/2007	Koss	D15/30
D555,677 S *	11/2007	Kuwae et al.	D15/30
D563,437 S *	3/2008	Imashige et al.	D15/24
D577,040 S *	9/2008	Kim	D15/30
D579,028 S *	10/2008	VanDeVeer et al.	D15/30
D594,037 S *	6/2009	Uemura	D15/30
D594,480 S *	6/2009	Gicquel et al.	D15/30

* cited by examiner

Primary Examiner—Stella M Reid

Assistant Examiner—Mark A Goodwin

(74) *Attorney, Agent, or Firm*—John D. Veldhuis-Kroeze;
Westman, Champlin & Kelly, P.A.

(57) **CLAIM**

The ornamental design for an excavator body exterior, as shown and described.

DESCRIPTION

FIG. 1 is a front top left side perspective view of an excavator body exterior showing our new design;

FIG. 2 is a rear top right side perspective view thereof;

FIG. 3 is a front top right side perspective view thereof;

FIG. 4 is a right side view thereof

FIG. 5 is a left side view thereof;

FIG. 6 is a front elevational view thereof;

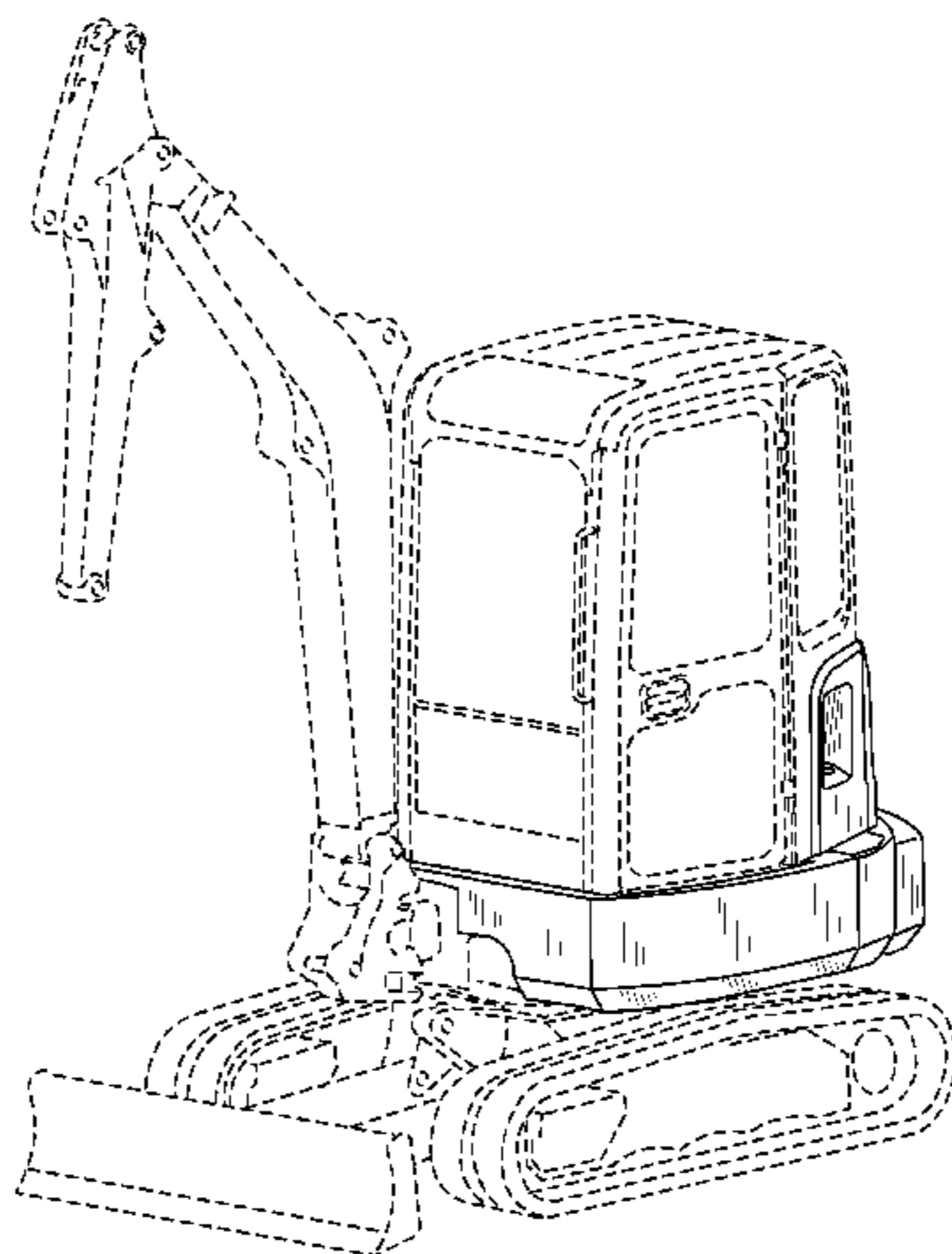
FIG. 7 is a rear elevational view thereof;

FIG. 8 is a top plan view thereof; and,

FIG. 9 is a bottom plan view thereof.

The broken line showing of an excavator in FIGS. 1 and 2 and the broken line showing in FIGS. 3, 5, 6, 8, and 9 where the cab portion of an excavator would be is included for the purpose of illustrating environmental structure and forms no part of the claimed design.

1 Claim, 9 Drawing Sheets



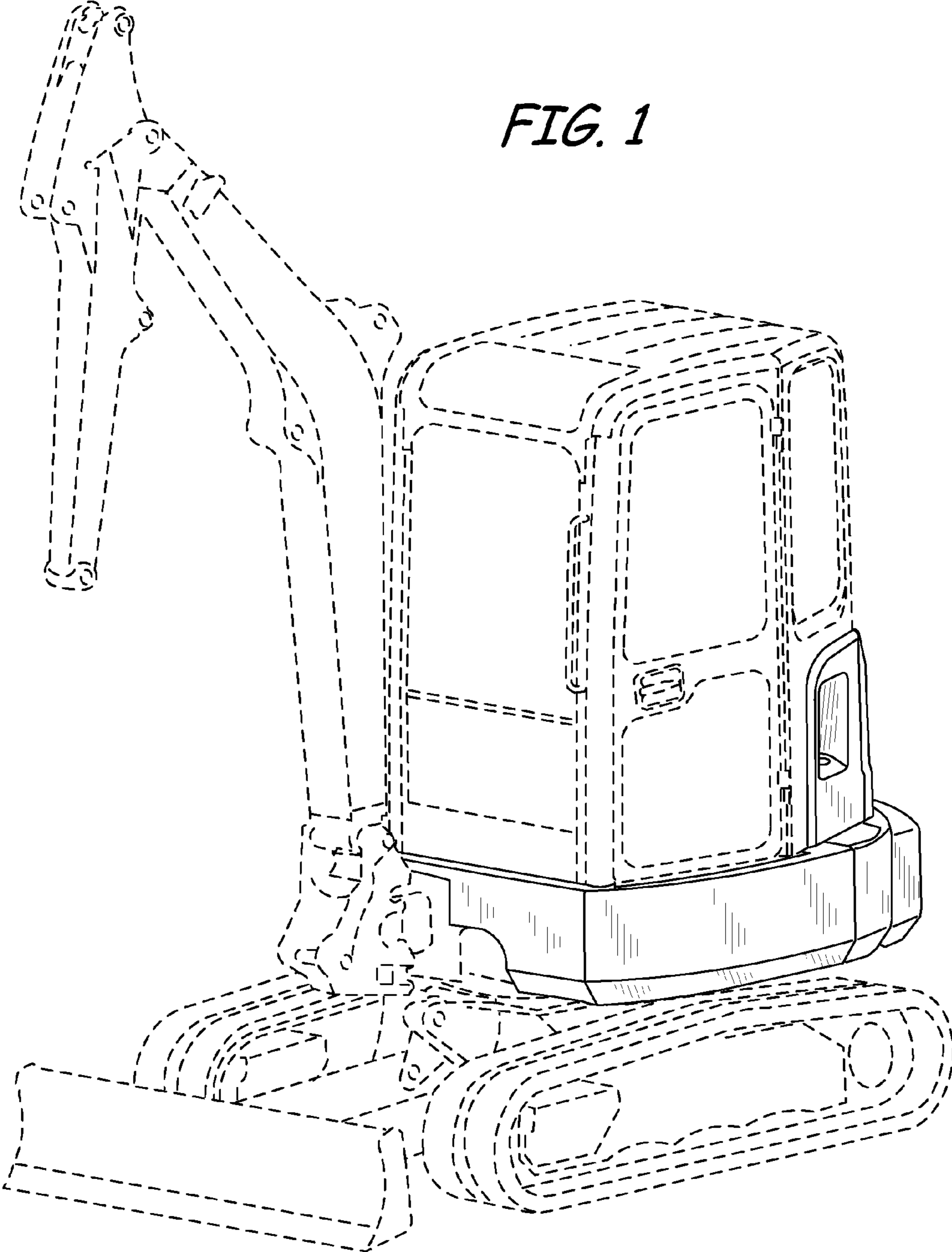
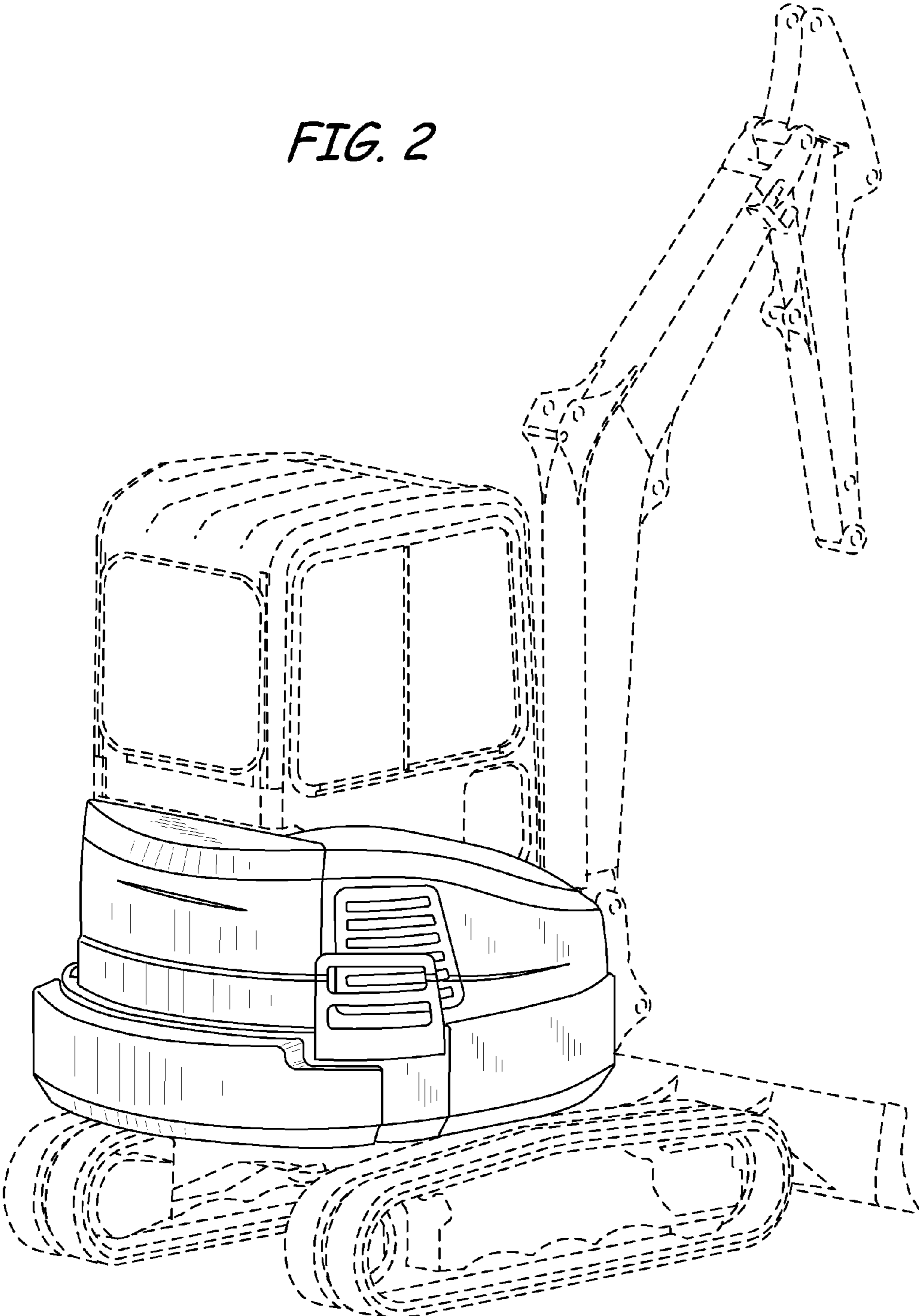


FIG. 1

FIG. 2



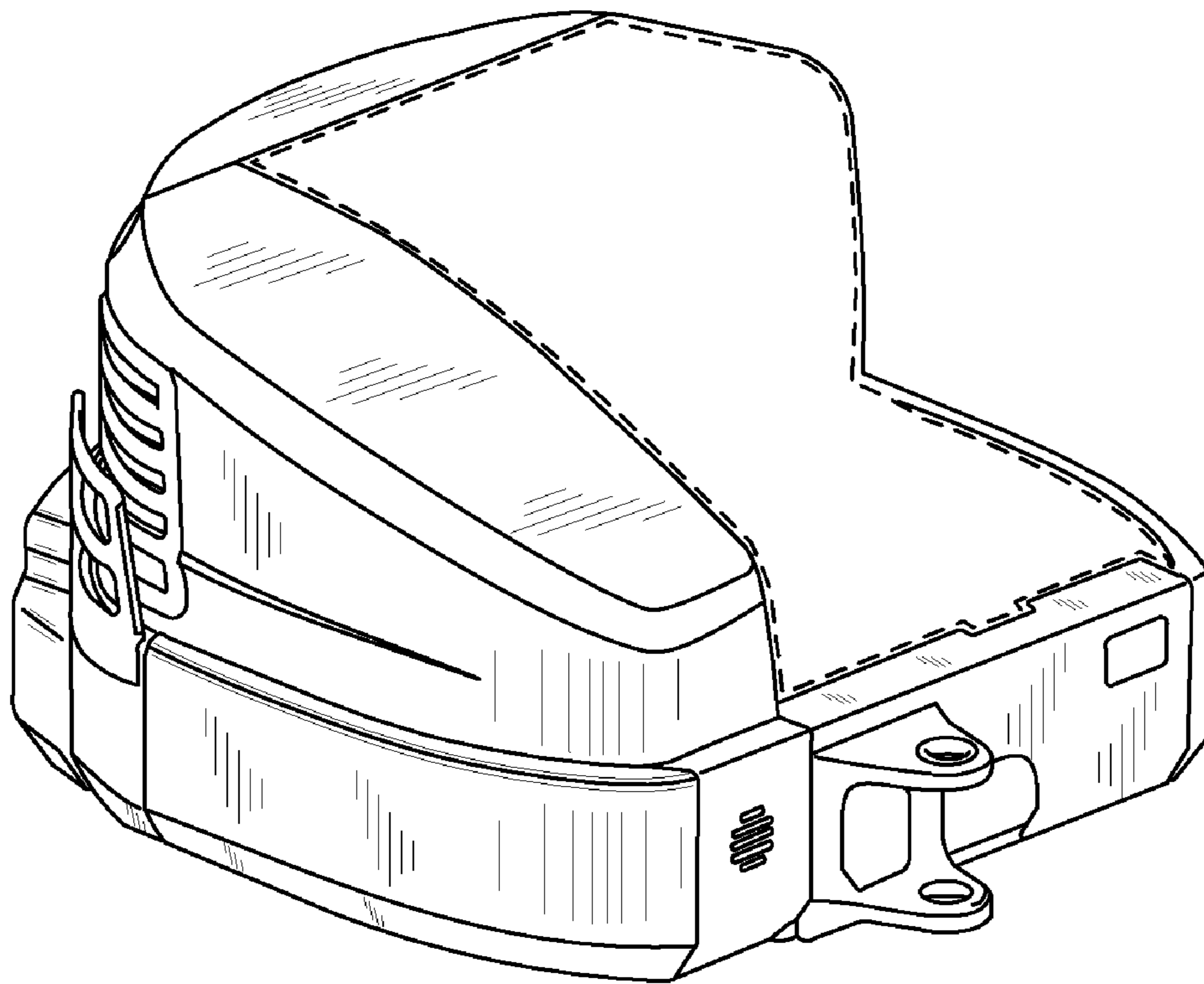


FIG. 3

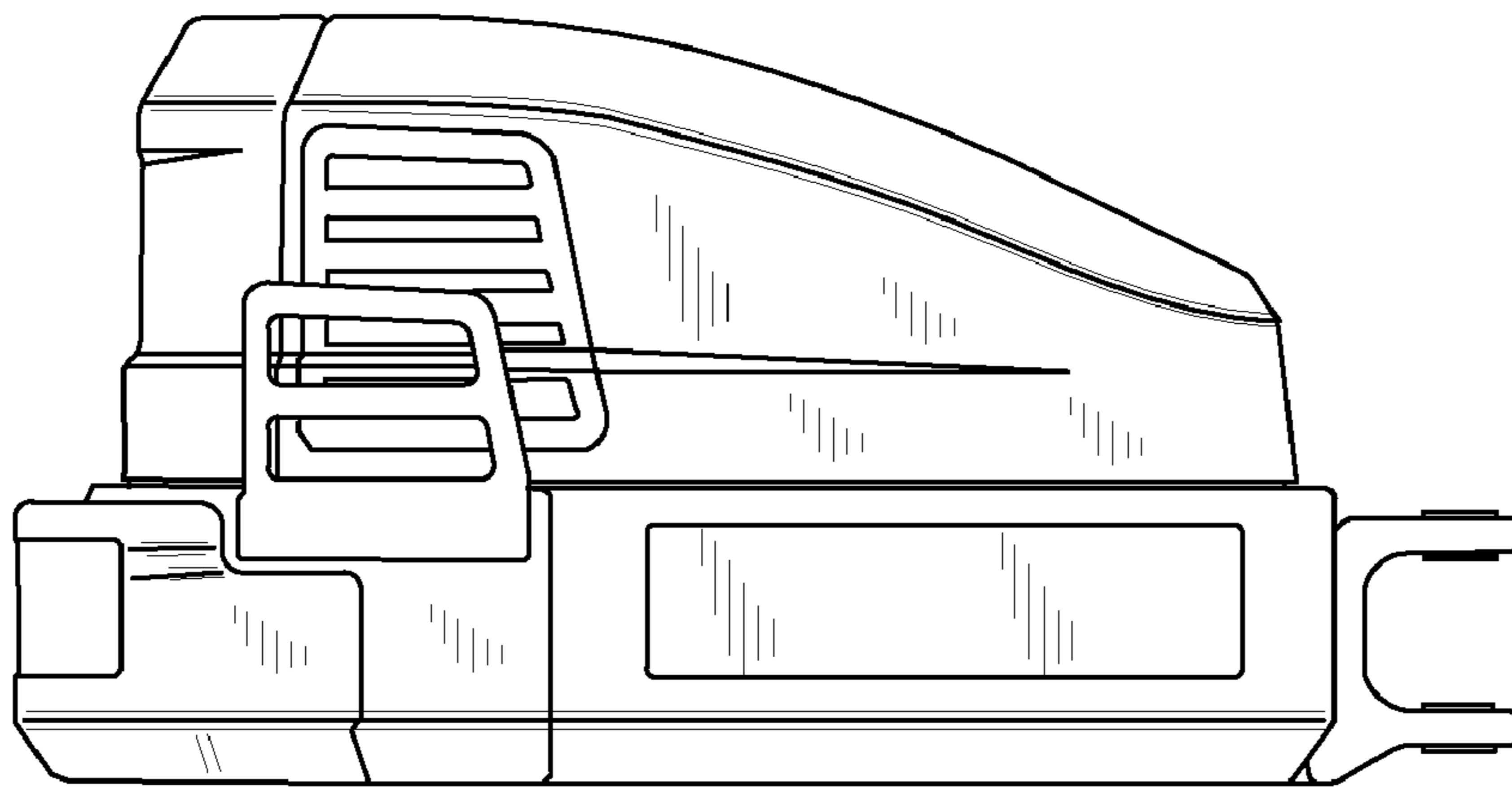


FIG. 4

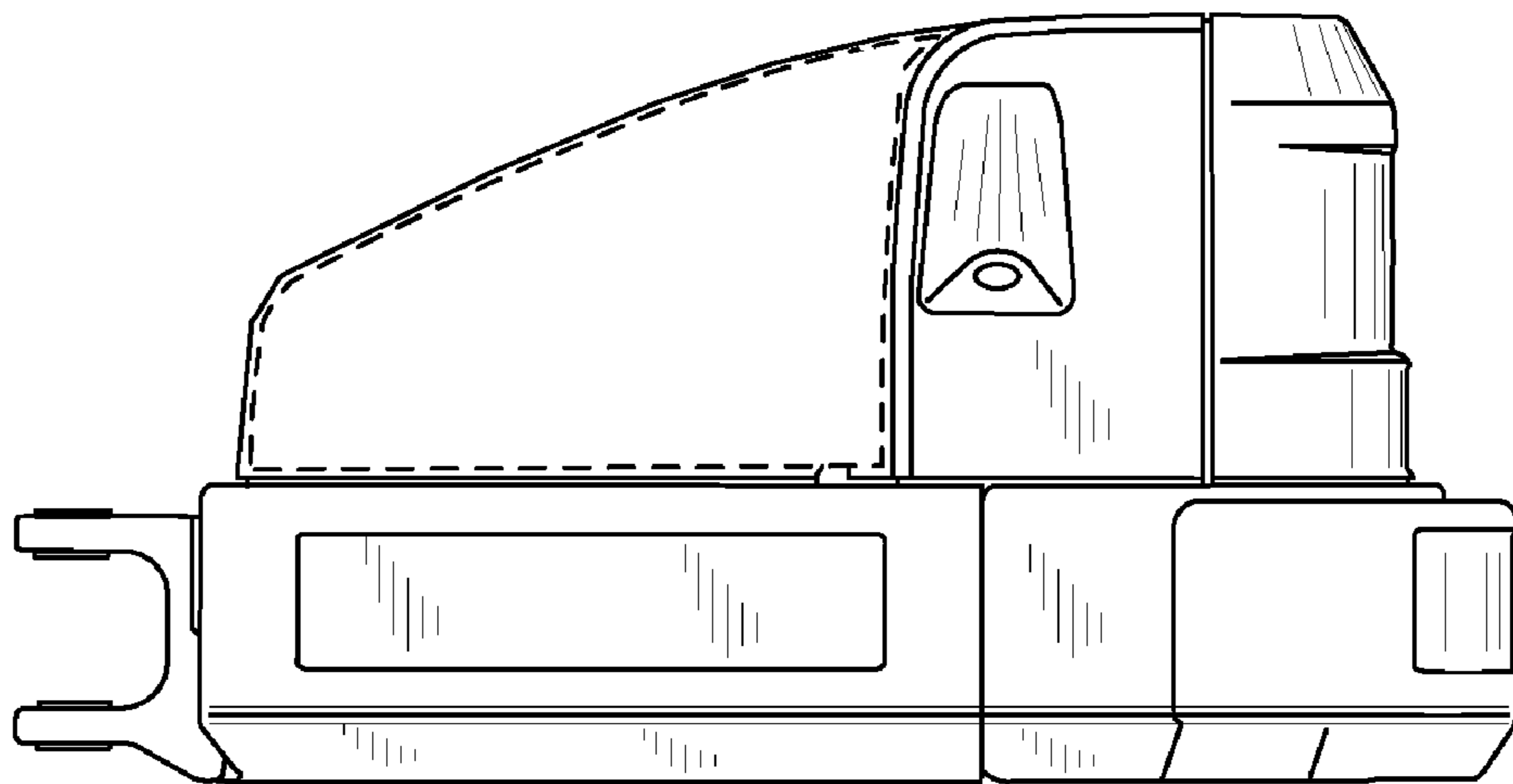


FIG. 5

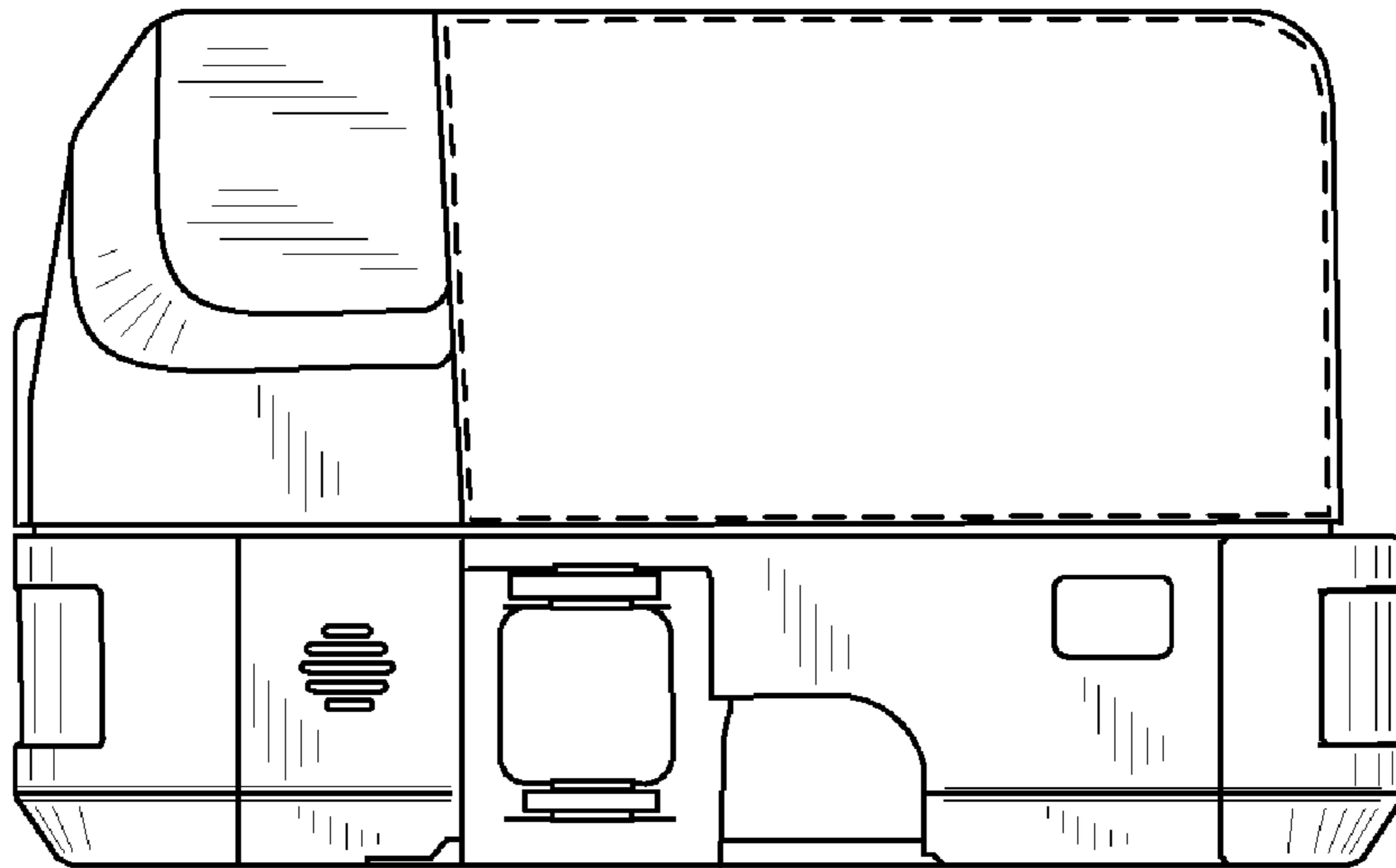


FIG. 6

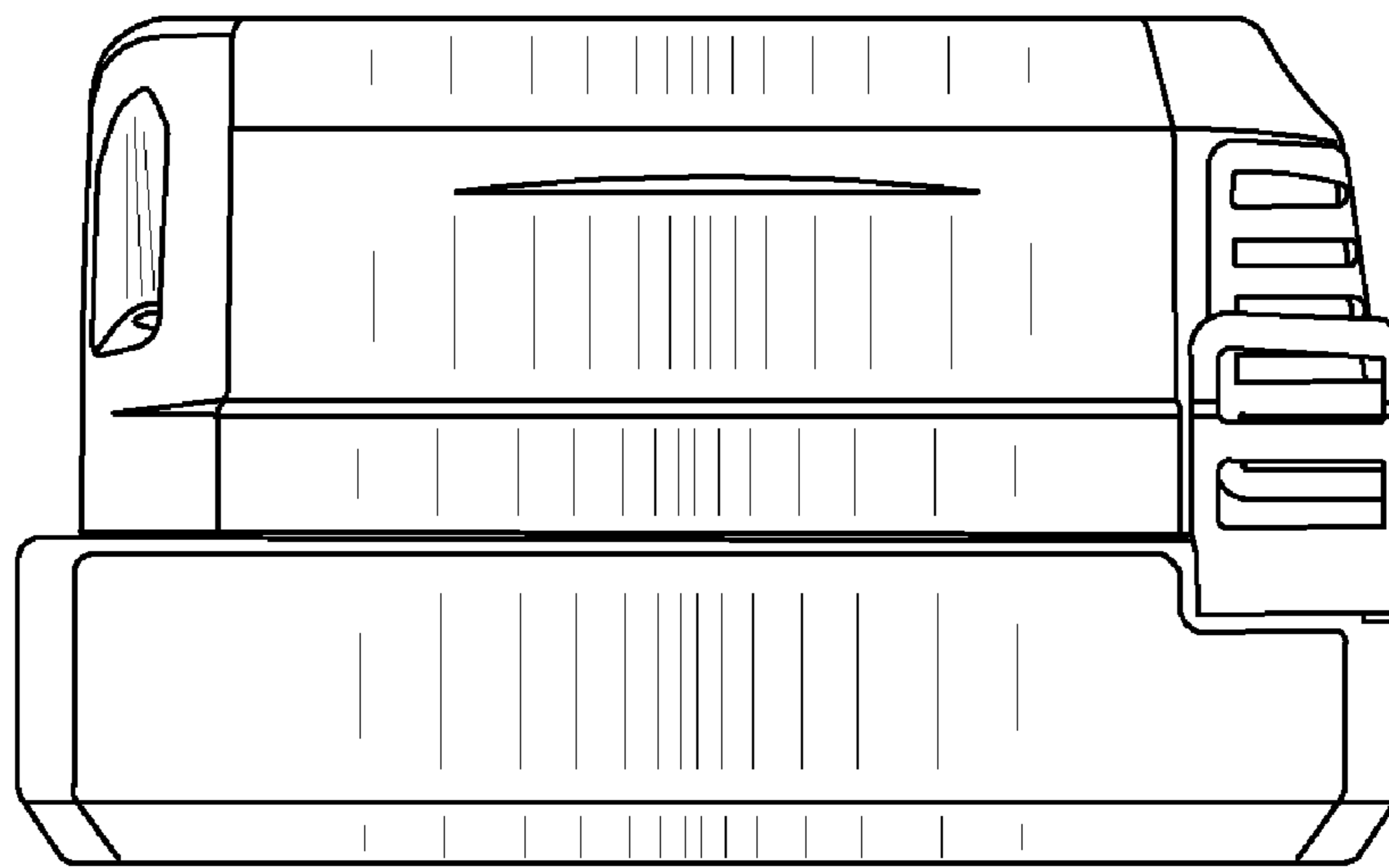


FIG. 7

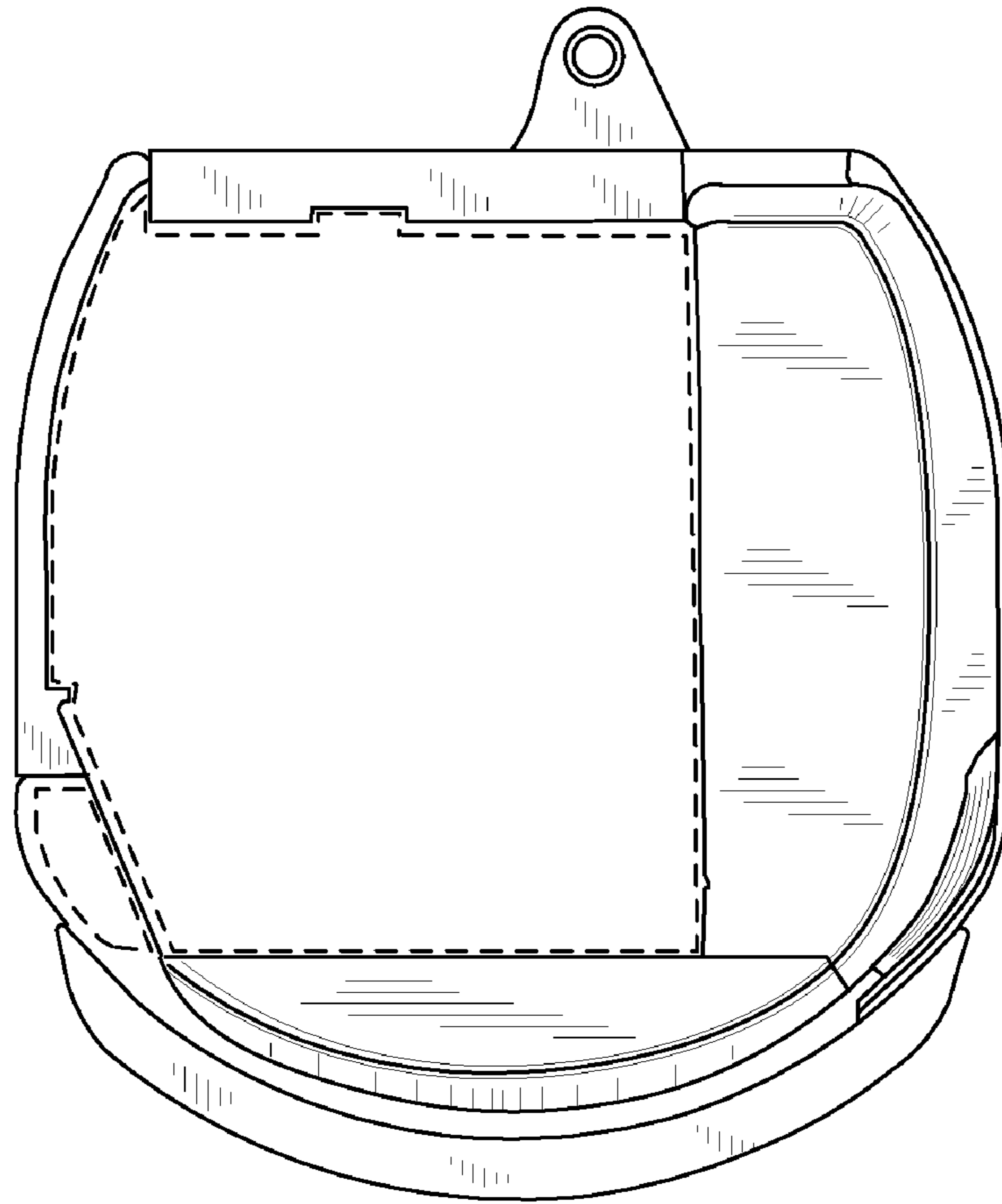


FIG. 8

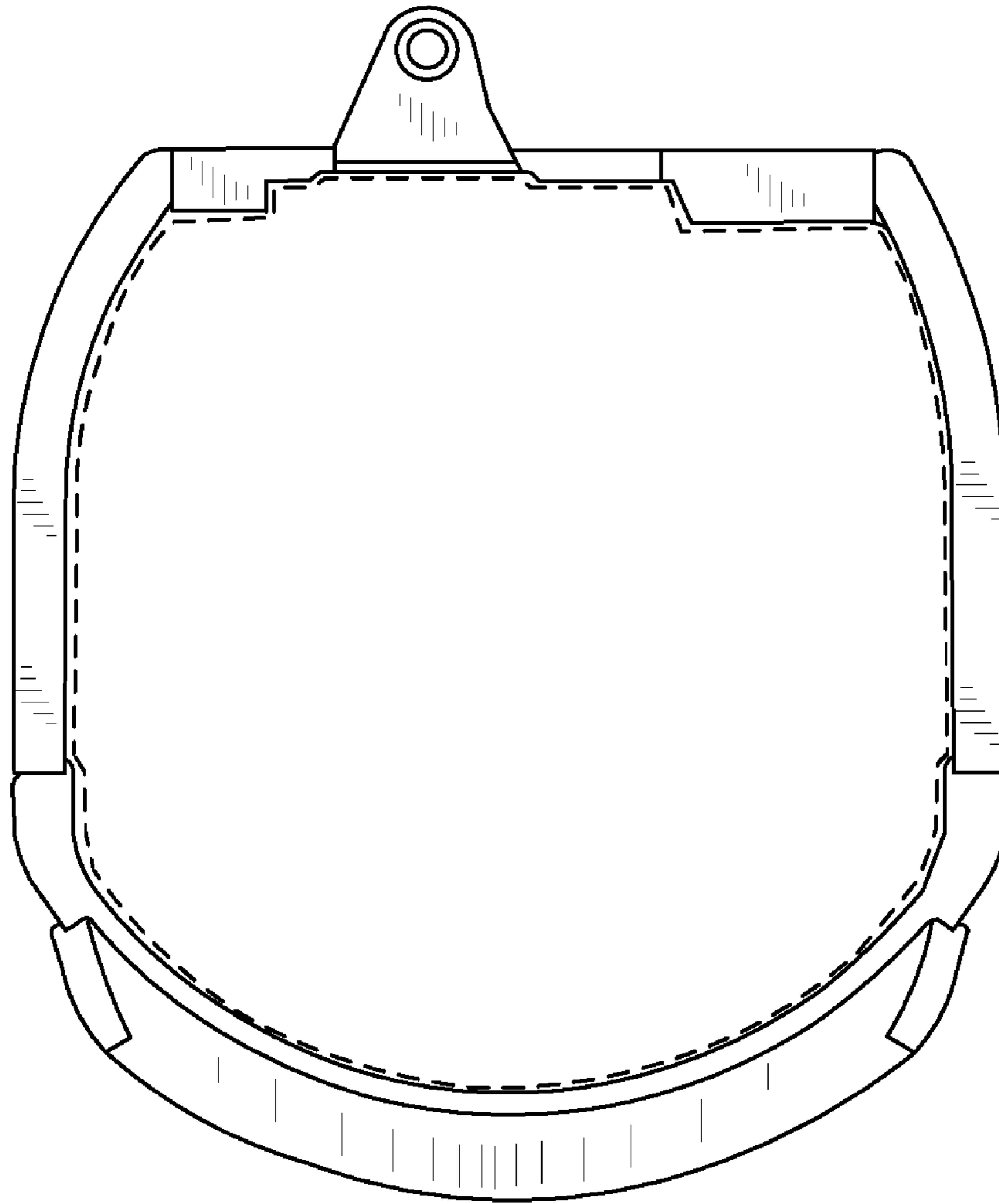


FIG. 9