

US00D607905S

(12) **United States Design Patent**
Reisenauer et al.

(10) **Patent No.:** **US D607,905 S**
(45) **Date of Patent:** **** Jan. 12, 2010**

(54) **EXCAVATOR BODY AND CAB EXTERIOR**
(75) Inventors: **Daniel L. Reisenauer**, Mandan, ND
(US); **Michael D. Wetzel**, Bismarck, ND
(US); **Scott W. Becker**, Bismarck, ND
(US)

(73) Assignee: **Clark Equipment Company**, West
Fargo, ND (US)

(**) Term: **14 Years**

(21) Appl. No.: **29/336,782**

(22) Filed: **May 8, 2009**

(51) **LOC (9) Cl.** **15-03**
(52) **U.S. Cl.** **D15/30; D15/33**
(58) **Field of Classification Search** D15/10,
D15/15, 22-26, 28, 30, 33; D12/96; D34/37;
180/89.1, 89.12, 89.13, 311, 900; 296/190.01,
296/190.03, 181.1; 414/680, 685, 687, 688,
414/694

See application file for complete search history.

(56) **References Cited**

U.S. PATENT DOCUMENTS

D208,402	S	*	8/1967	Hofmann	D15/30
D210,658	S	*	4/1968	Lazzeroni	D15/30
D248,475	S	*	7/1978	Parks et al.	D15/30
5,096,253	A	*	3/1992	Jo et al.	296/190.1
D338,019	S	*	8/1993	Bhambra	D15/25
D432,144	S	*	10/2000	Kraft et al.	D15/30
D432,145	S	*	10/2000	Kraft et al.	D15/30
D433,689	S	*	11/2000	Kraft et al.	D15/30
D436,605	S	*	1/2001	Shaw et al.	D15/30
D455,763	S	*	4/2002	Brandenburg et al.	D15/30
D463,462	S	*	9/2002	Yanagida et al.	D15/30
D471,213	S	*	3/2003	Kwak et al.	D15/30
D481,044	S		10/2003	Tokach et al.		
D487,575	S		3/2004	Wetzel et al.		
D490,444	S	*	5/2004	Kuwae	D15/33
D494,986	S		8/2004	Tokach et al.		
D497,920	S	*	11/2004	Antonetti	D15/30
D523,029	S	*	6/2006	Crawford et al.	D15/30
D523,875	S	*	6/2006	Kim	D15/30

D528,134	S	*	9/2006	Vandendriessche et al.	..	D15/30
D538,305	S	*	3/2007	Smith et al.	D15/30
D541,825	S	*	5/2007	Pettersson	D15/30
D541,826	S	*	5/2007	Brush et al.	D15/30
D548,753	S	*	8/2007	Kim	D15/30
D549,245	S	*	8/2007	Antonetti	D15/30
D549,742	S	*	8/2007	Koss	D15/30
D555,677	S	*	11/2007	Kuwae et al.	D15/30
D563,437	S	*	3/2008	Imashige et al.	D15/24
D577,040	S	*	9/2008	Kim	D15/30
D579,028	S	*	10/2008	VanDeVeer et al.	D15/30
D594,037	S	*	6/2009	Uemura	D15/30
D594,480	S	*	6/2009	Gicquel et al.	D15/30

* cited by examiner

Primary Examiner—Stella M Reid
Assistant Examiner—Mark A Goodwin
(74) *Attorney, Agent, or Firm*—John D. Veldhuis-Kroeze;
Westman, Champlin & Kelly, P.A.

(57) **CLAIM**

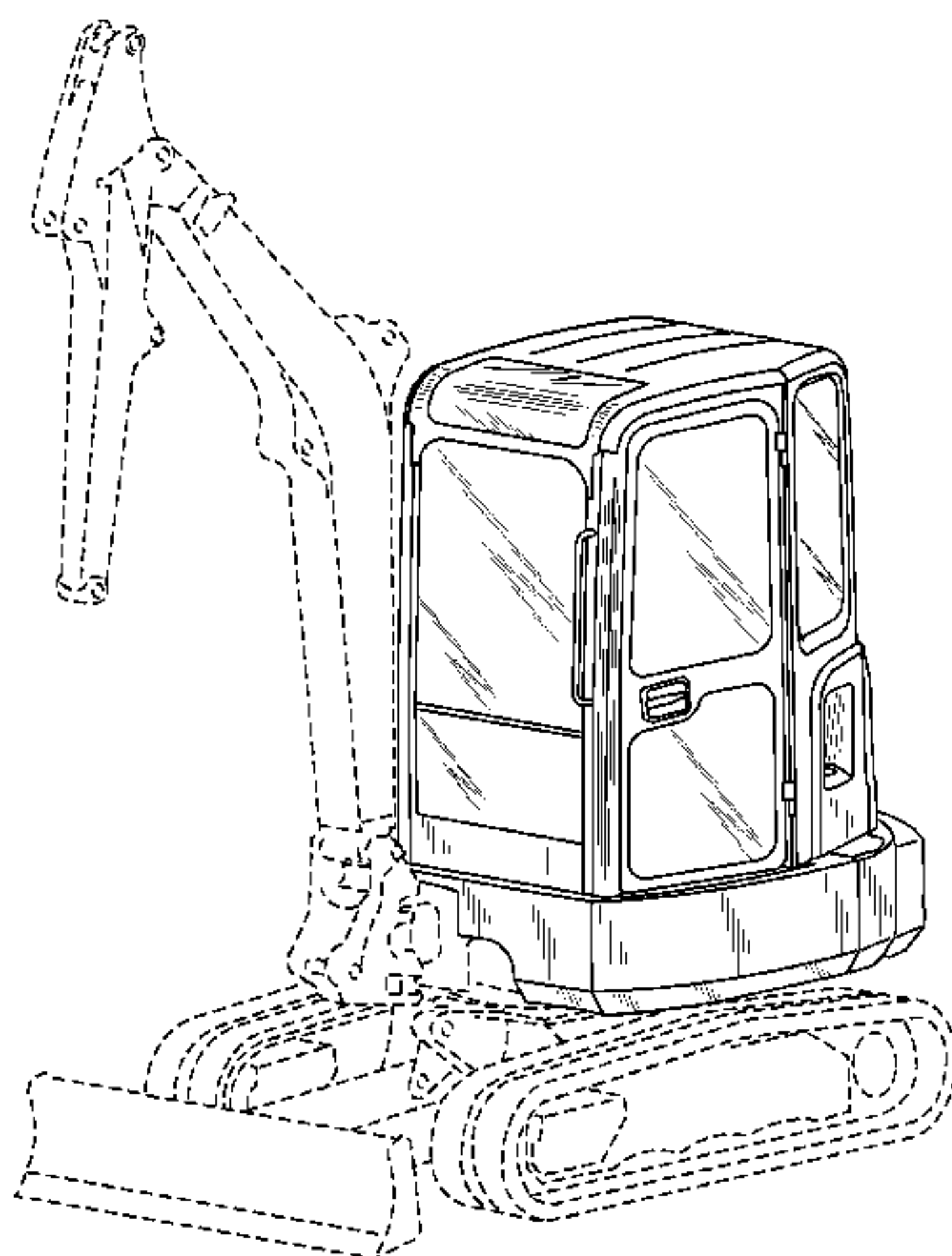
The ornamental design for an excavator body and cab exterior, as shown and described.

DESCRIPTION

FIG. 1 is a front top left side perspective view of an excavator body and cab exterior showing our new design;
FIG. 2 is a rear top right side perspective view thereof;
FIG. 3 is a front top left side perspective view thereof;
FIG. 4 is a right side view thereof
FIG. 5 is a left side view thereof;
FIG. 6 is a front elevational view thereof;
FIG. 7 is a rear elevational view thereof;
FIG. 8 is a top plan view thereof; and,
FIG. 9 is a bottom plan view thereof.

The broken line showing of an excavator in FIGS. 1 and 2 and the broken line showing in FIG. 9 is included for the purpose of illustrating environmental structure and forms no part of the claimed design.

1 Claim, 9 Drawing Sheets



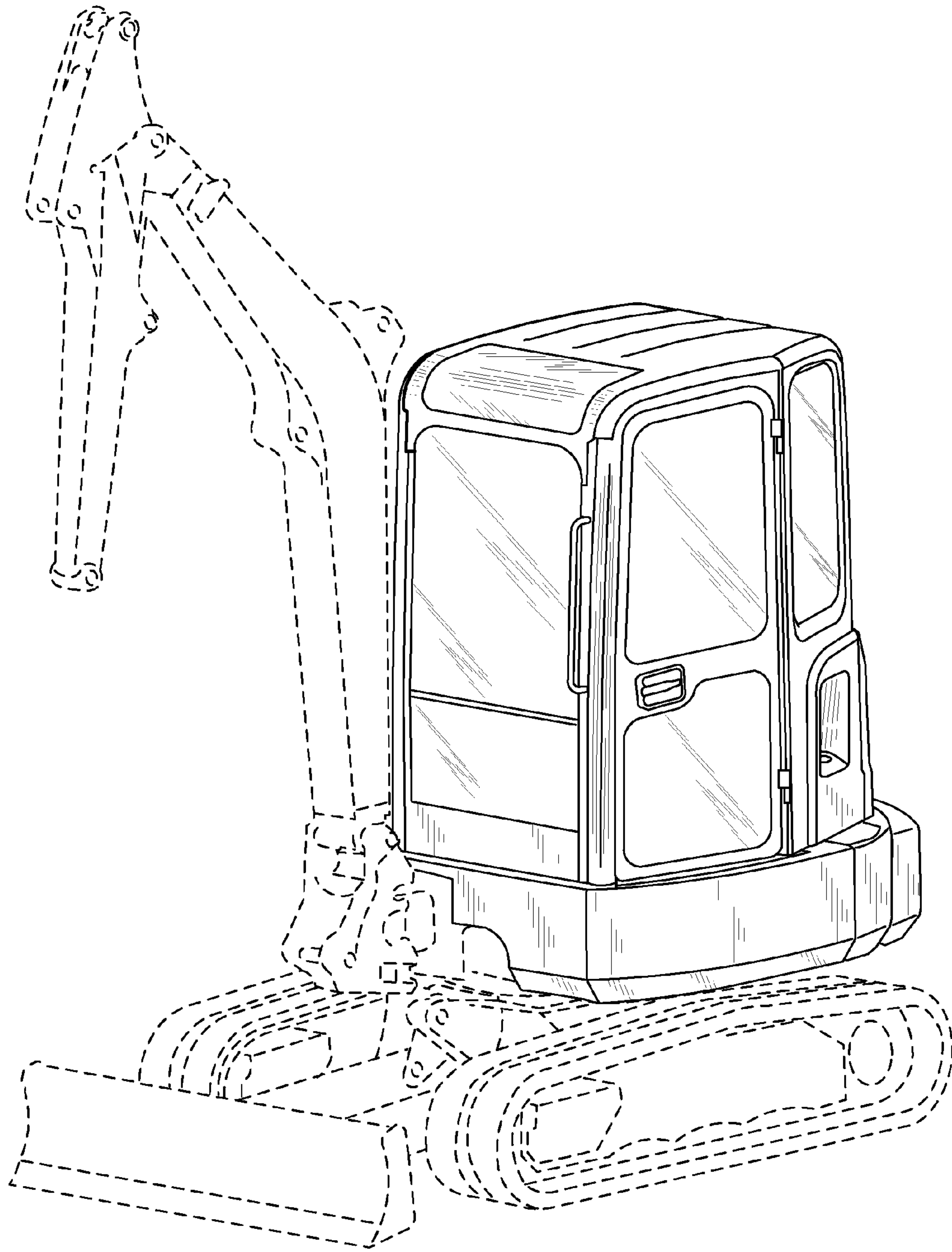


FIG. 1

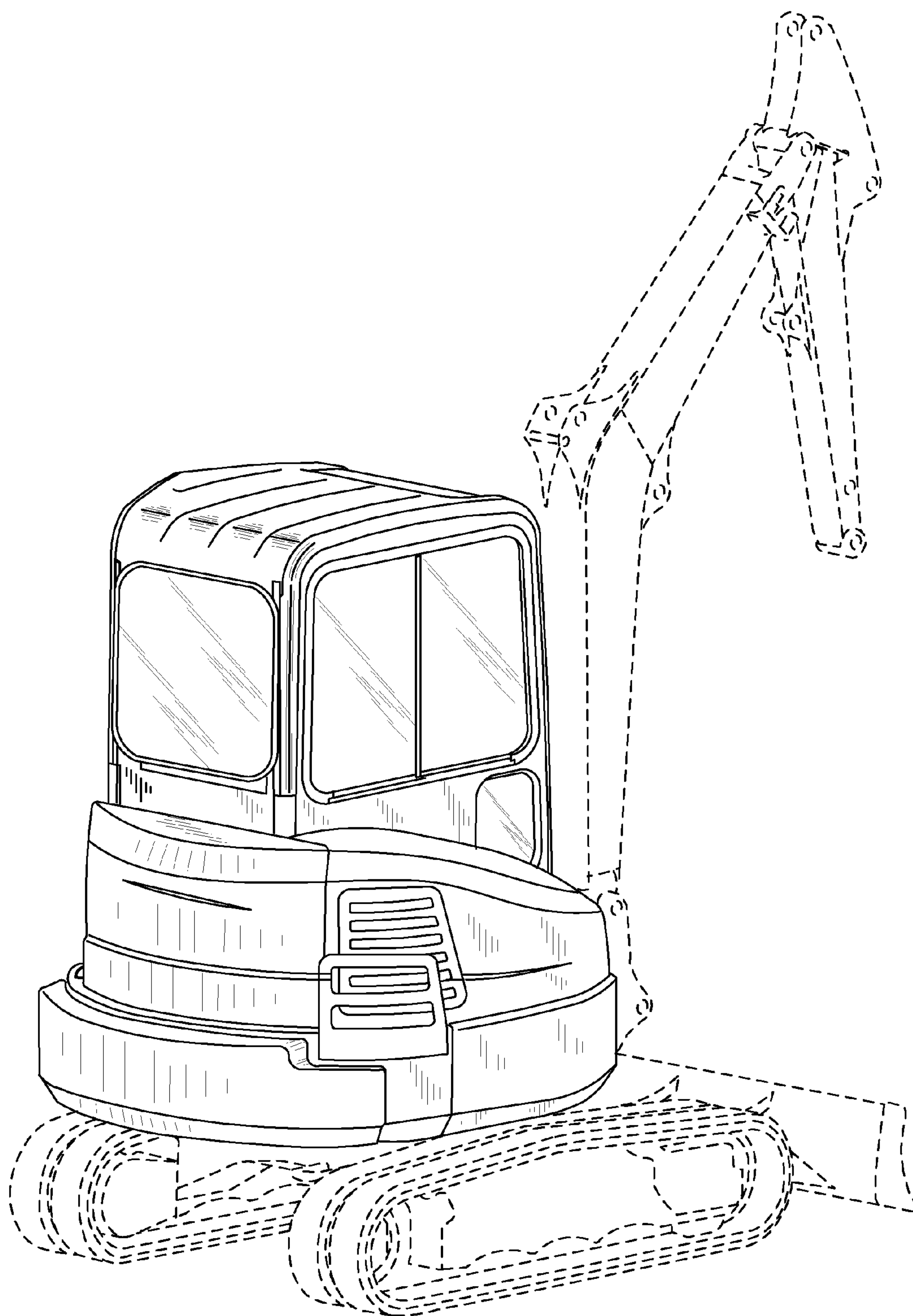


FIG. 2

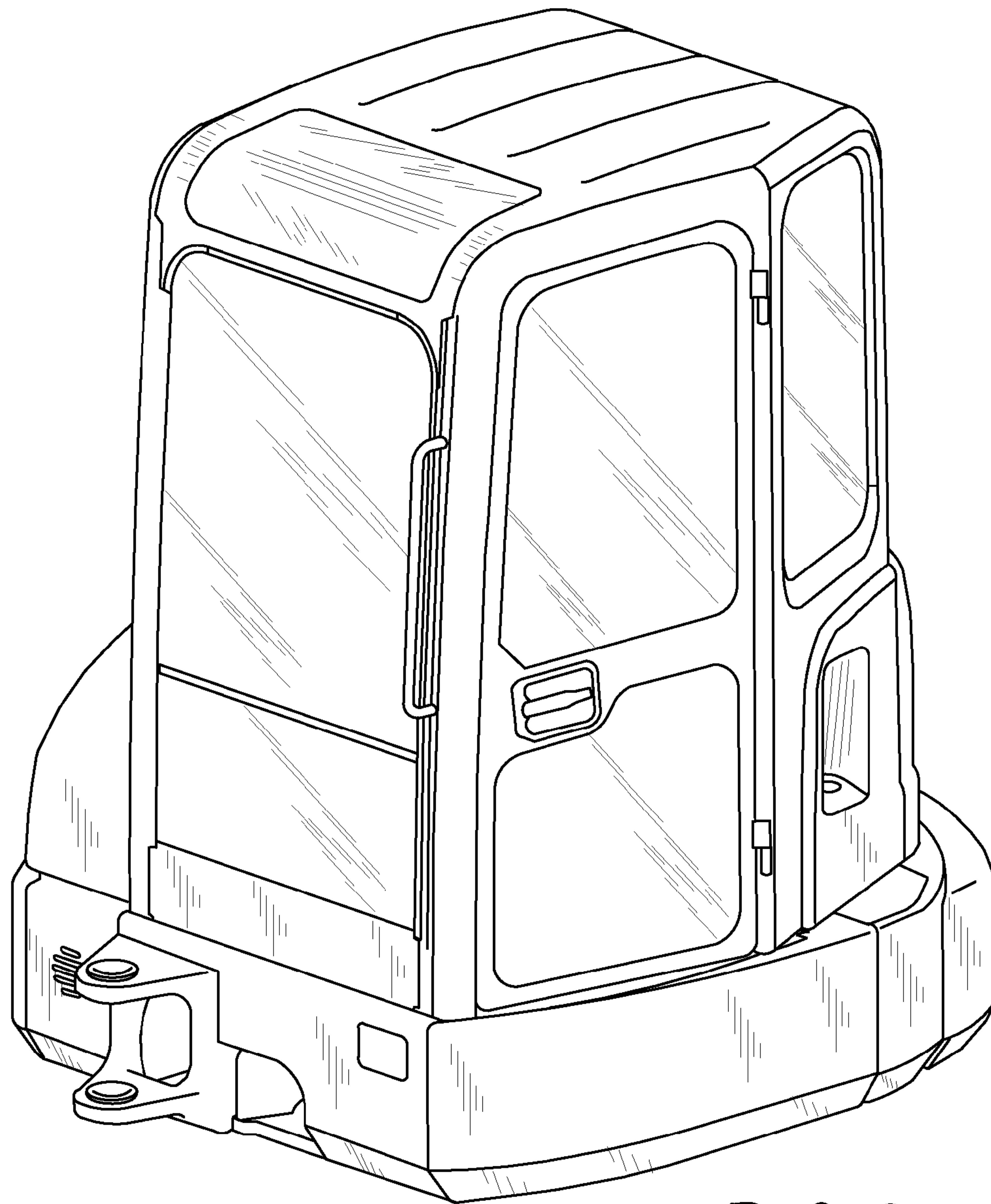


FIG. 3

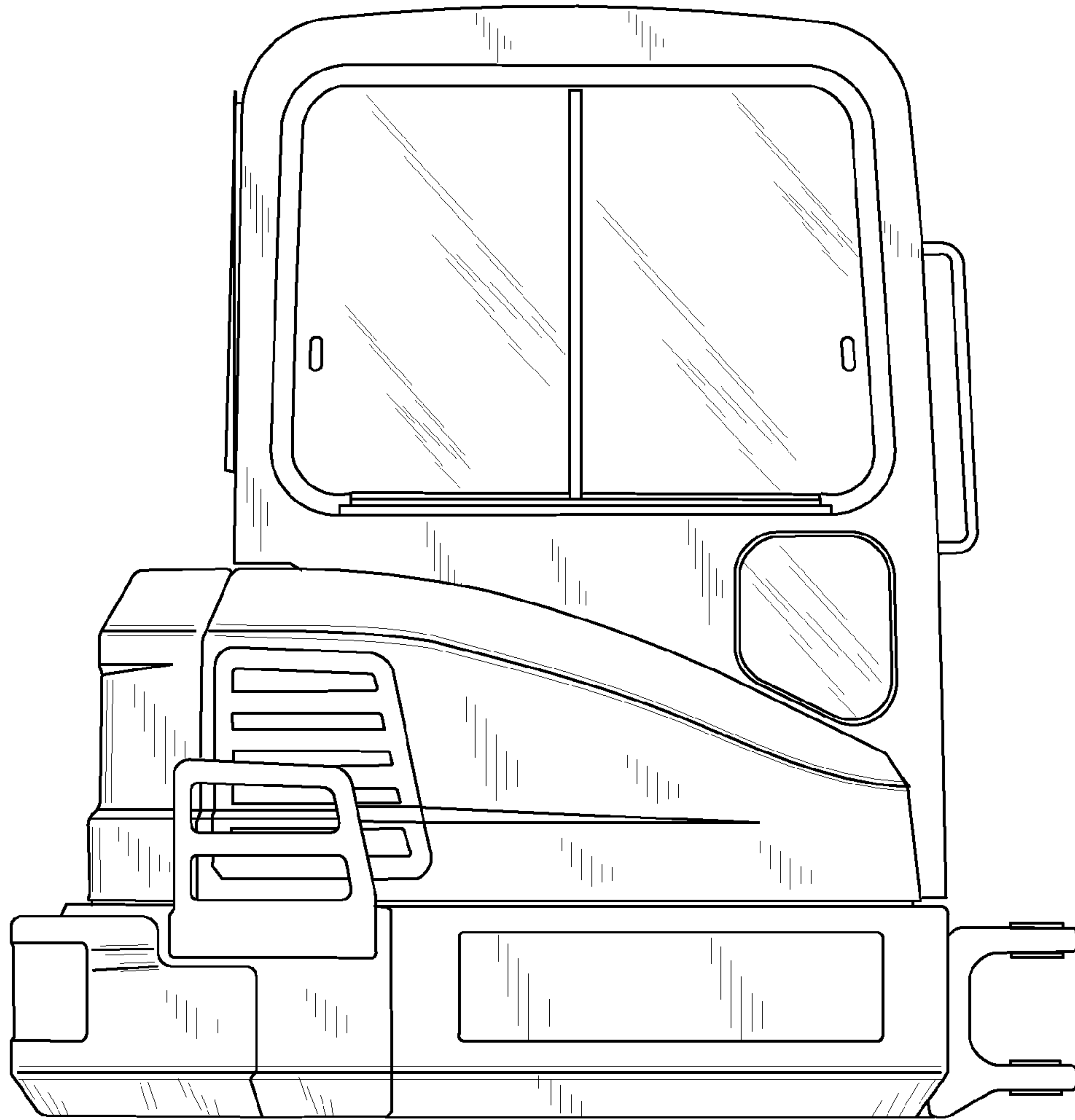


FIG. 4

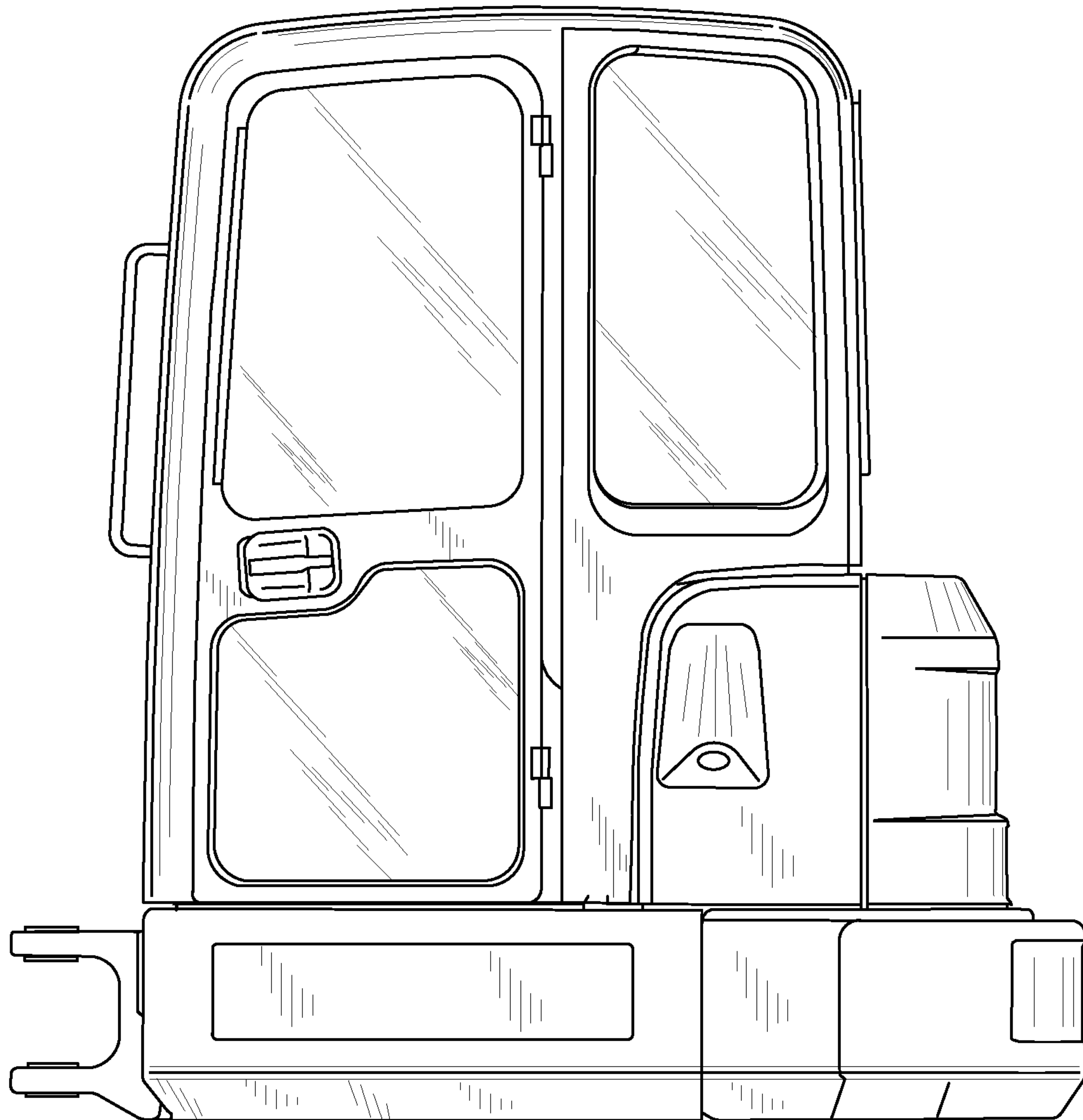


FIG. 5

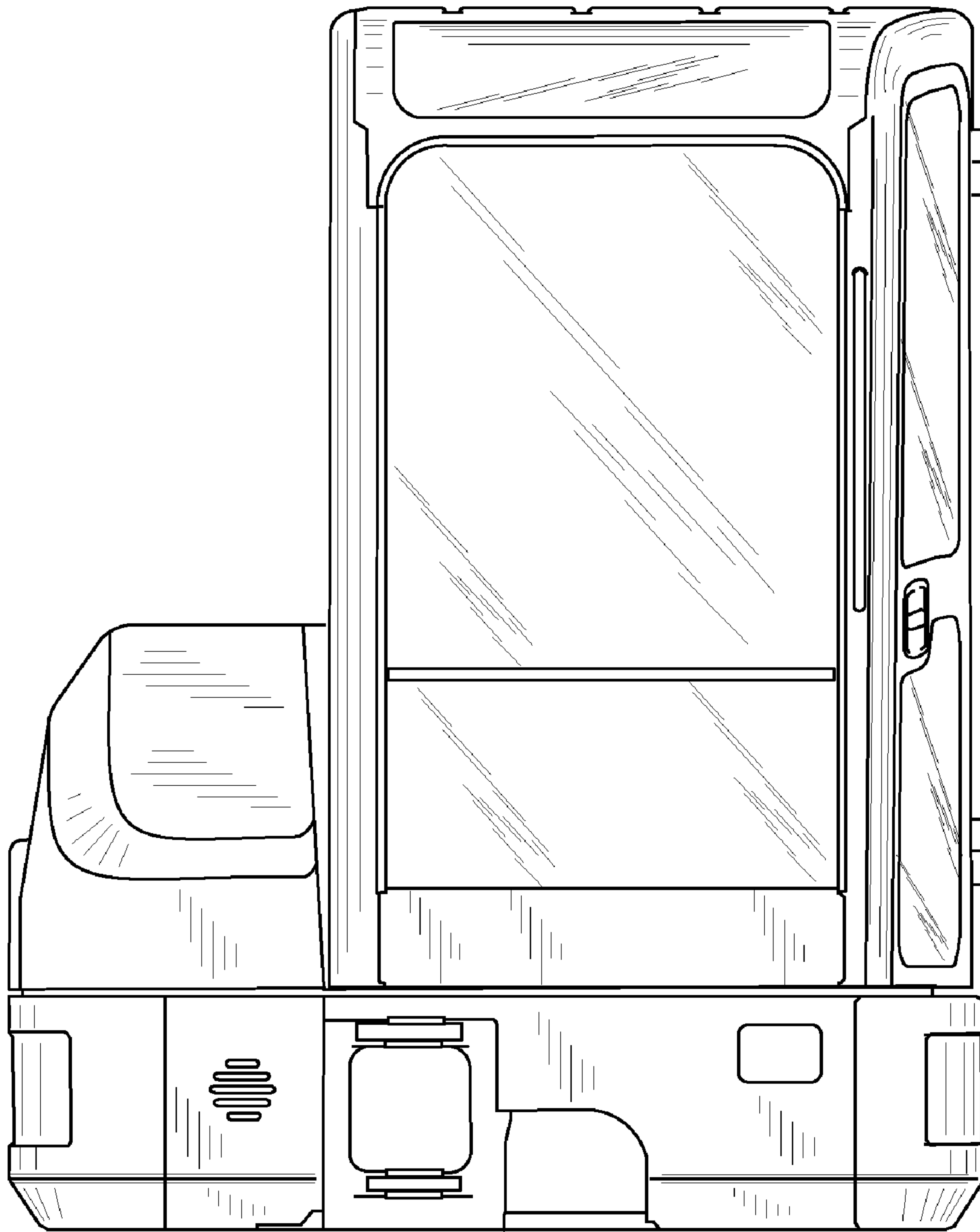


FIG. 6

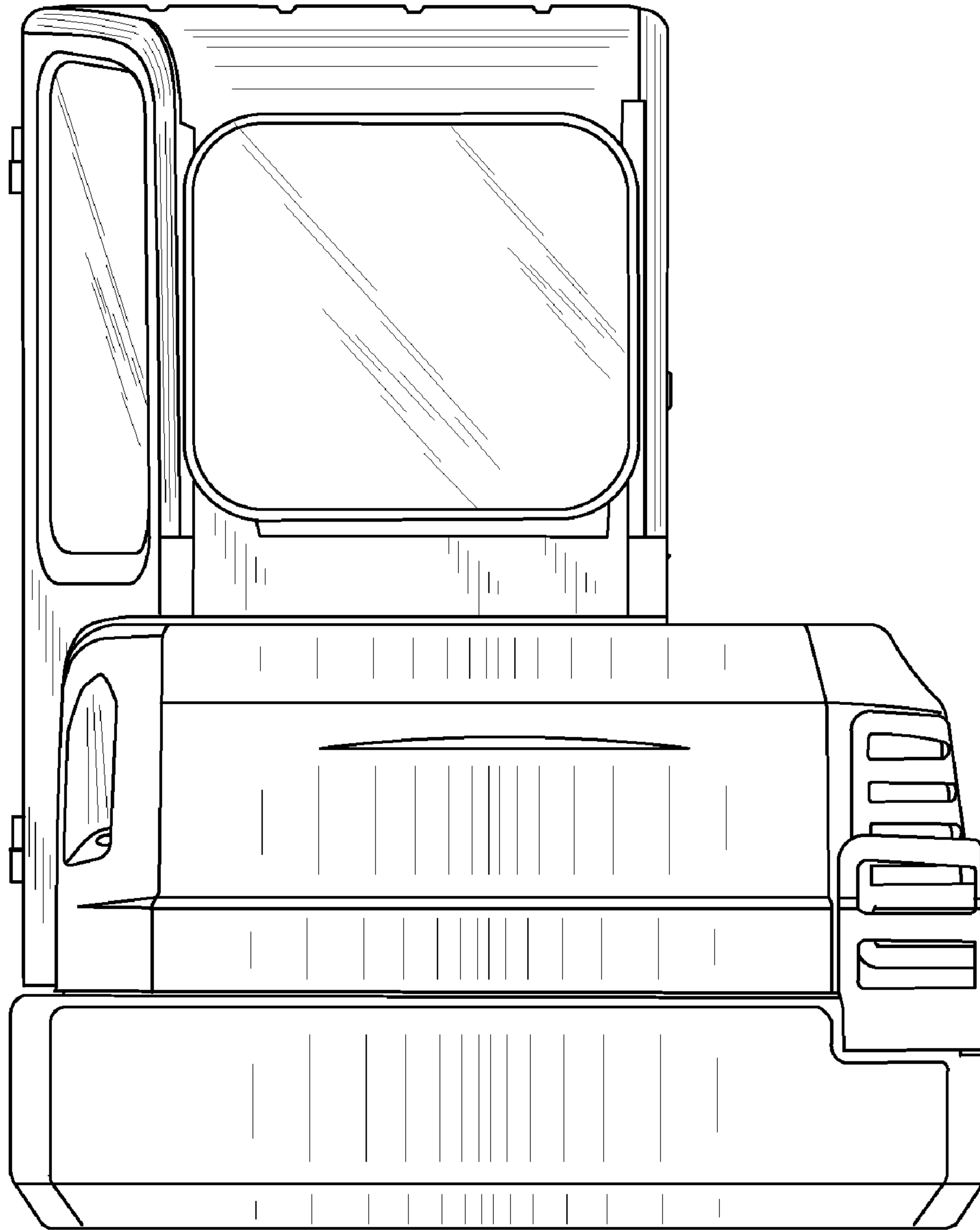


FIG. 7

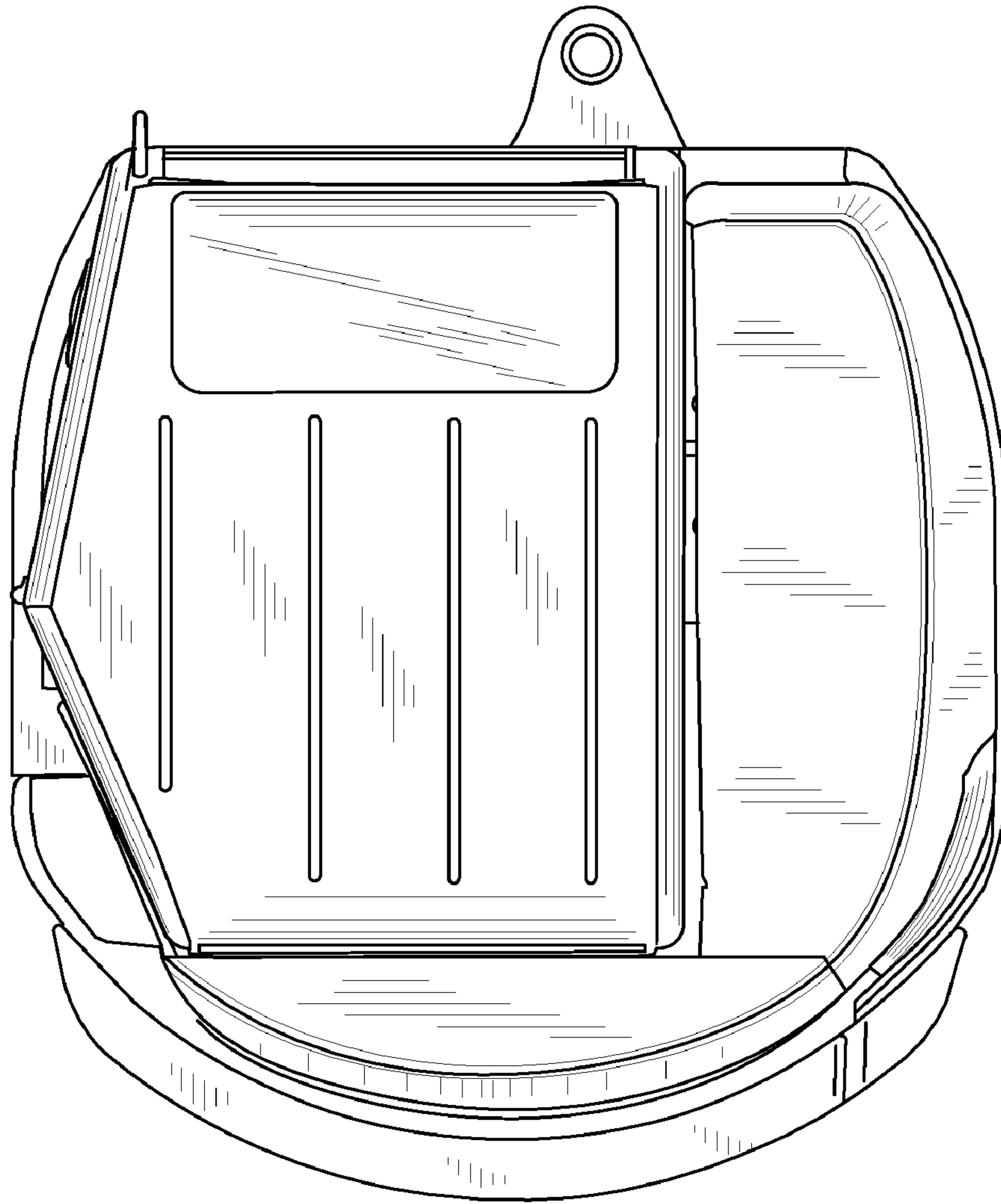


FIG. 8

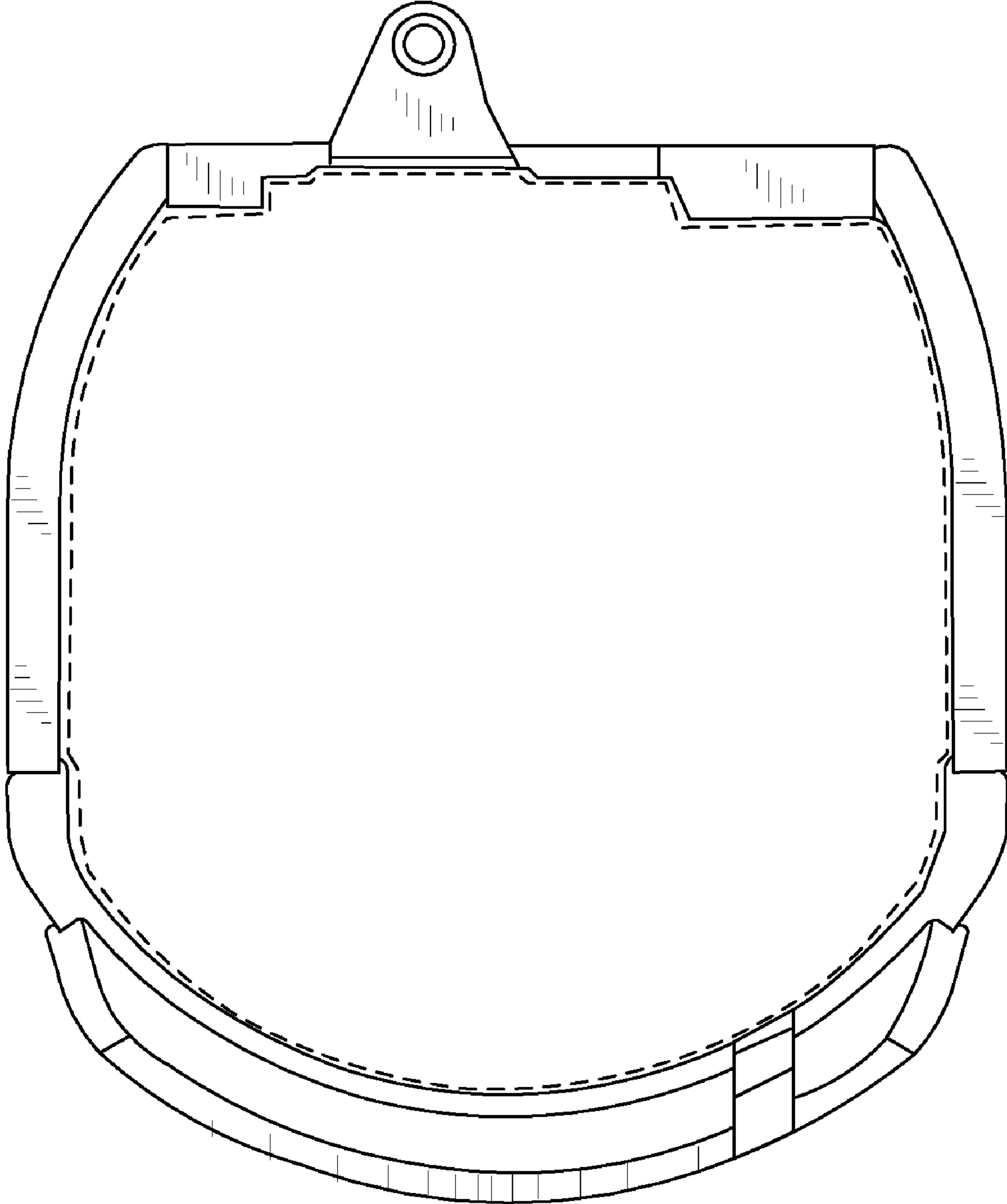


FIG. 9