



US00D607904S

(12) **United States Design Patent**  
**Reisenauer et al.**

(10) **Patent No.:** **US D607,904 S**  
(45) **Date of Patent:** **\*\* Jan. 12, 2010**

(54) **EXCAVATOR CAB EXTERIOR**  
(75) Inventors: **Daniel L. Reisenauer**, Mandan, ND  
(US); **Michael D. Wetzel**, Bismarck, ND  
(US); **Scott W. Becker**, Bismarck, ND  
(US)  
(73) Assignee: **Clark Equipment Company**, West  
Fargo, ND (US)  
(\*\*) Term: **14 Years**  
(21) Appl. No.: **29/336,780**  
(22) Filed: **May 8, 2009**

D528,134 S \* 9/2006 Vandendriessche et al. .. D15/30  
D538,305 S \* 3/2007 Smith et al. .... D15/30  
D541,825 S \* 5/2007 Pettersson ..... D15/30  
D541,826 S \* 5/2007 Brush et al. .... D15/30  
D548,753 S \* 8/2007 Kim ..... D15/30  
D549,245 S \* 8/2007 Antonetti ..... D15/30  
D549,742 S \* 8/2007 Koss ..... D15/30  
D555,677 S \* 11/2007 Kuwae et al. .... D15/30  
D563,437 S \* 3/2008 Imashige et al. .... D15/24  
D577,040 S \* 9/2008 Kim ..... D15/30  
D579,028 S \* 10/2008 VanDeVeer et al. .... D15/30  
D594,037 S \* 6/2009 Uemura ..... D15/30  
D594,480 S \* 6/2009 Gicquel et al. .... D15/30

\* cited by examiner

(51) **LOC (9) Cl.** ..... **15-03**  
(52) **U.S. Cl.** ..... **D15/30**  
(58) **Field of Classification Search** ..... D15/10,  
D15/15, 22-26, 28, 30, 33; D12/96; D34/37;  
180/89.1, 89.12, 89.13, 311, 900; 296/190.01,  
296/190.03, 181.1; 414/680, 685, 687, 688,  
414/694

*Primary Examiner*—Stella M Reid  
*Assistant Examiner*—Mark A Goodwin  
(74) *Attorney, Agent, or Firm*—John D. Veldhuis-Kroeze;  
Westman, Champlin & Kelly, P.A.

See application file for complete search history.

(57) **CLAIM**

The ornamental design for an excavator cab exterior, as shown and described.

(56) **References Cited**

**U.S. PATENT DOCUMENTS**

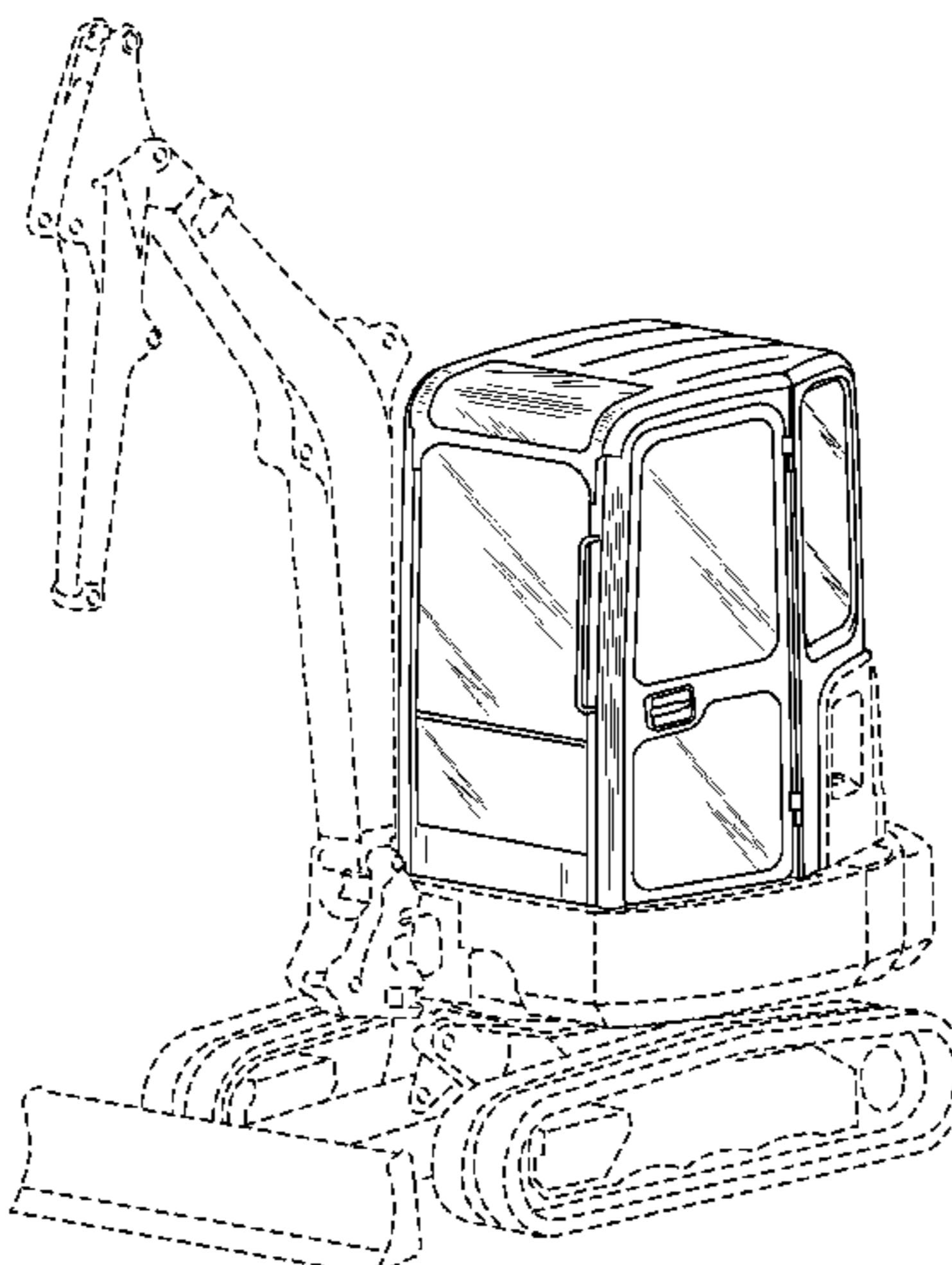
D208,402 S \* 8/1967 Hofmann ..... D15/30  
D210,658 S \* 4/1968 Lazzeroni ..... D15/30  
D248,475 S \* 7/1978 Parks et al. .... D15/30  
5,096,253 A \* 3/1992 Jo et al. .... 296/190.1  
D338,019 S \* 8/1993 Bhambra ..... D15/25  
D432,144 S \* 10/2000 Kraft et al. .... D15/30  
D432,145 S \* 10/2000 Kraft et al. .... D15/30  
D433,689 S \* 11/2000 Kraft et al. .... D15/30  
D436,605 S \* 1/2001 Shaw et al. .... D15/30  
D455,763 S \* 4/2002 Brandenburg et al. .... D15/30  
D463,462 S \* 9/2002 Yanagida et al. .... D15/30  
D471,213 S \* 3/2003 Kwak et al. .... D15/30  
D481,044 S 10/2003 Tokach et al.  
D487,575 S 3/2004 Wetzel et al.  
D490,444 S \* 5/2004 Kuwae ..... D15/33  
D494,986 S 8/2004 Tokach et al.  
D497,920 S \* 11/2004 Antonetti ..... D15/30  
D523,029 S \* 6/2006 Crawford et al. .... D15/30  
D523,875 S \* 6/2006 Kim ..... D15/30

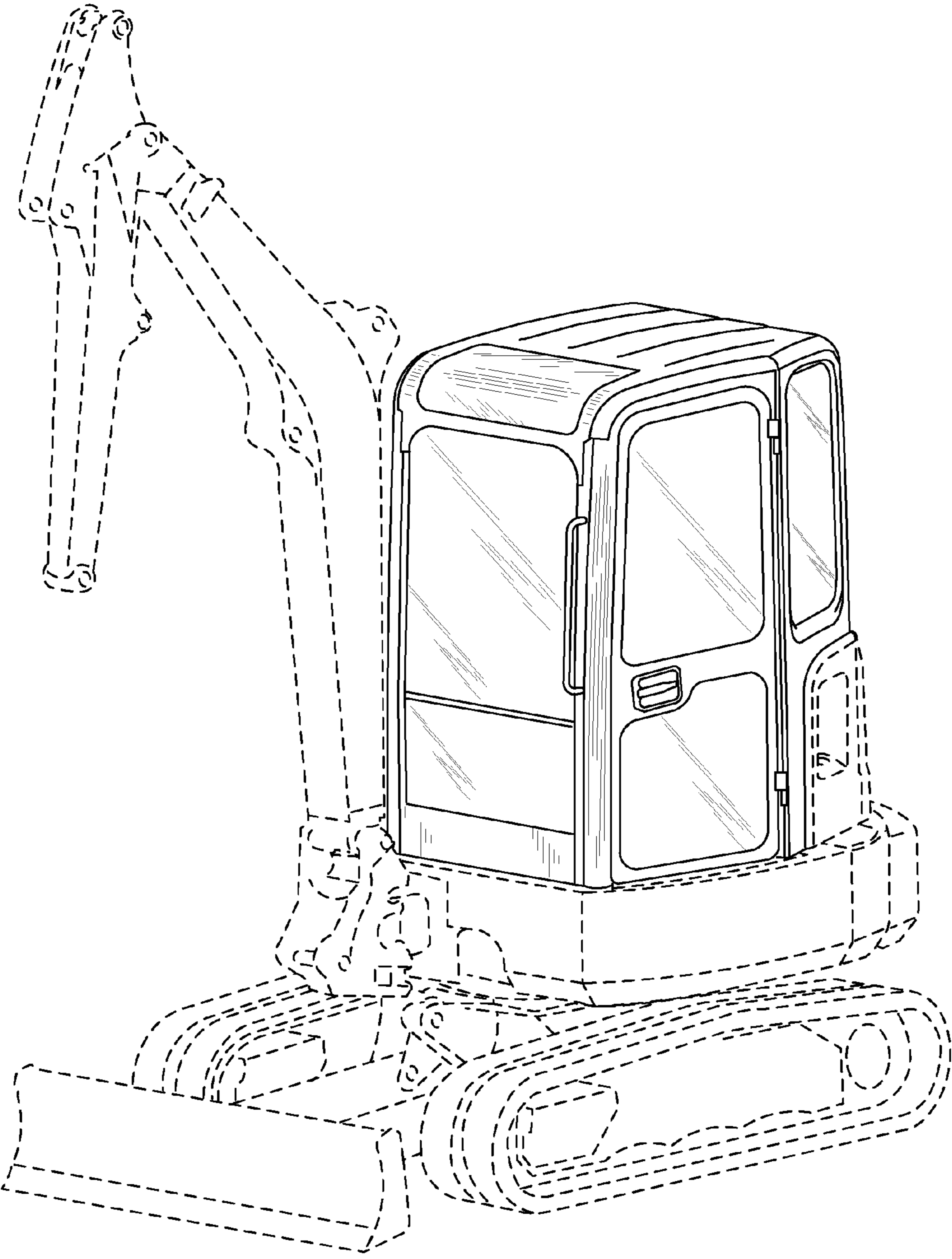
**DESCRIPTION**

FIG. 1 is a front top left side perspective view of an excavator cab exterior showing our new design;  
FIG. 2 is a rear top right side perspective view thereof;  
FIG. 3 is a front top left side perspective view thereof;  
FIG. 4 is a right side view thereof  
FIG. 5 is a left side view thereof;  
FIG. 6 is a front elevational view thereof;  
FIG. 7 is a rear elevational view thereof;  
FIG. 8 is a top plan view thereof; and,  
FIG. 9 is a bottom plan view thereof.

The broken line showing of an excavator in FIGS. 1 and 2 and the broken line showing in FIGS. 4, 5, 7, and 9 is included for the purpose of illustrating environmental structure and forms no part of the claimed design.

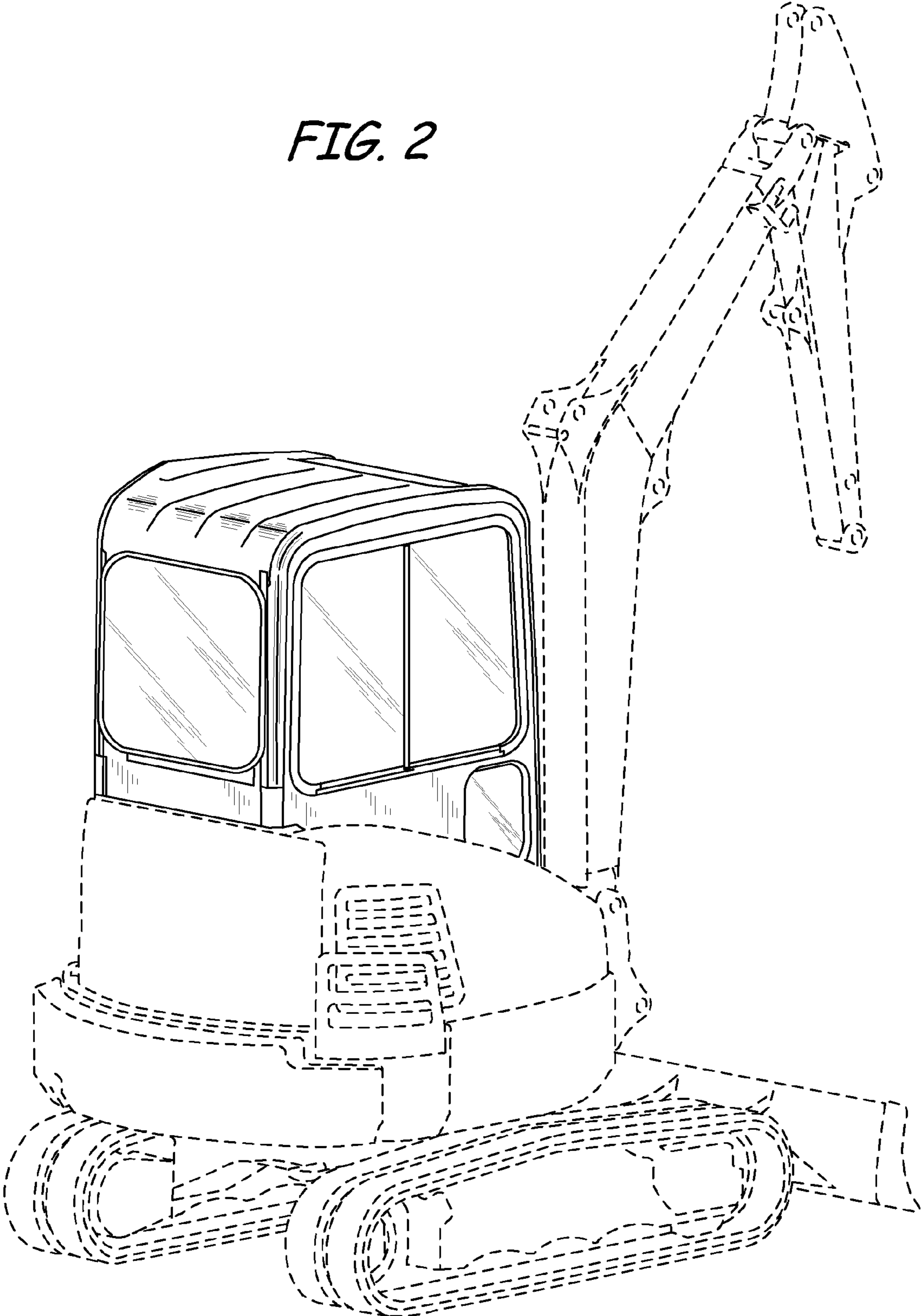
**1 Claim, 9 Drawing Sheets**

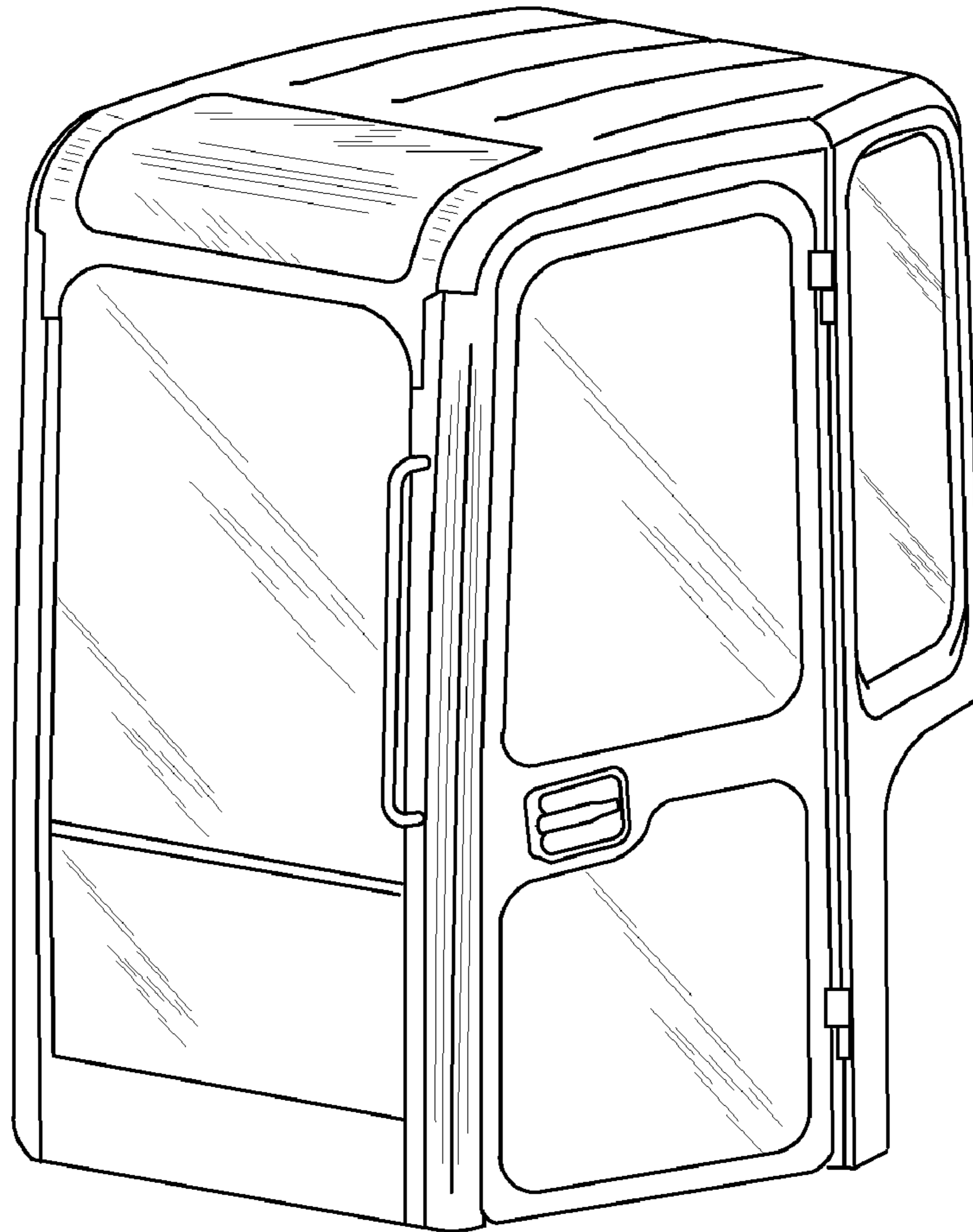




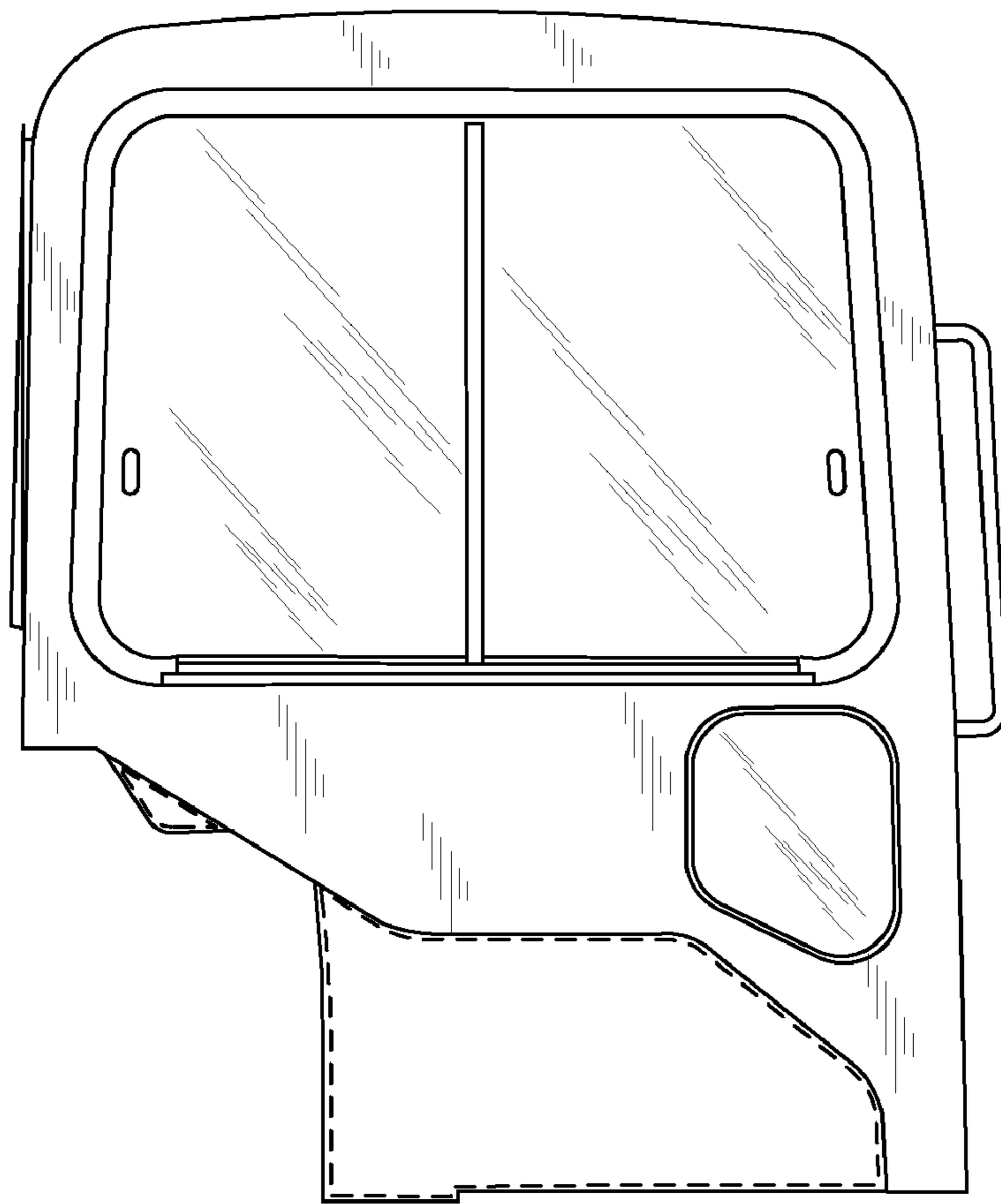
**FIG. 1**

FIG. 2

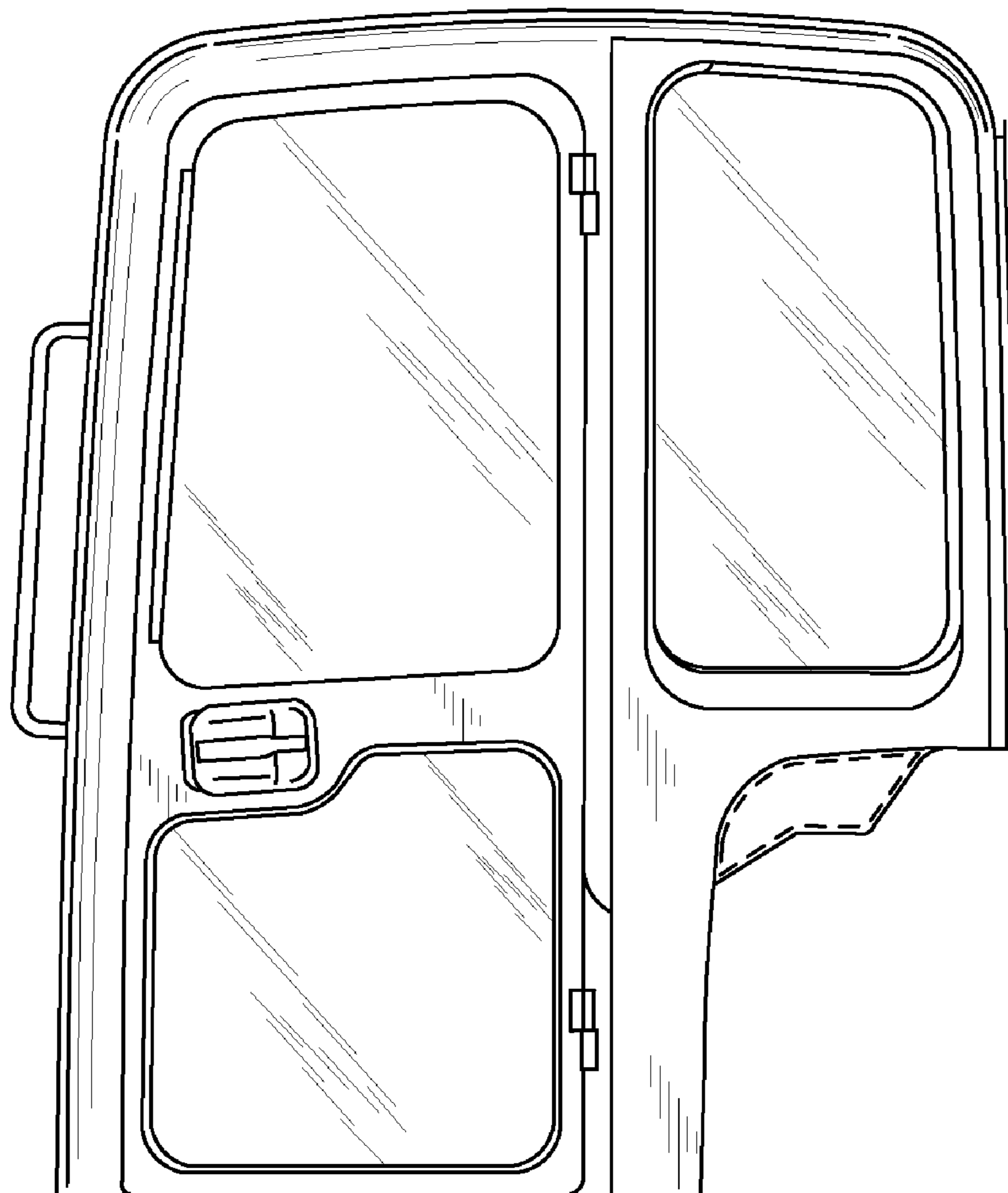




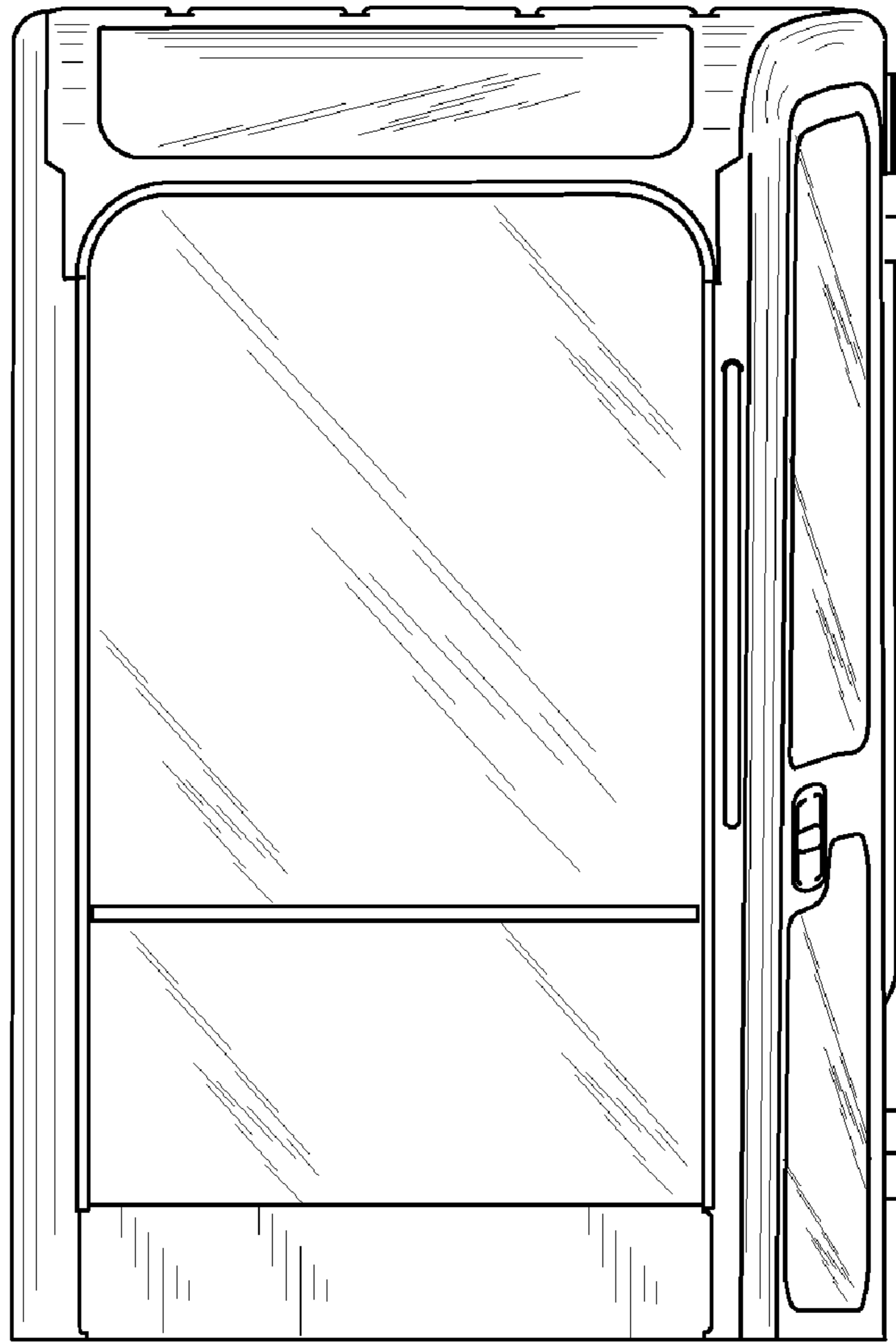
*FIG. 3*



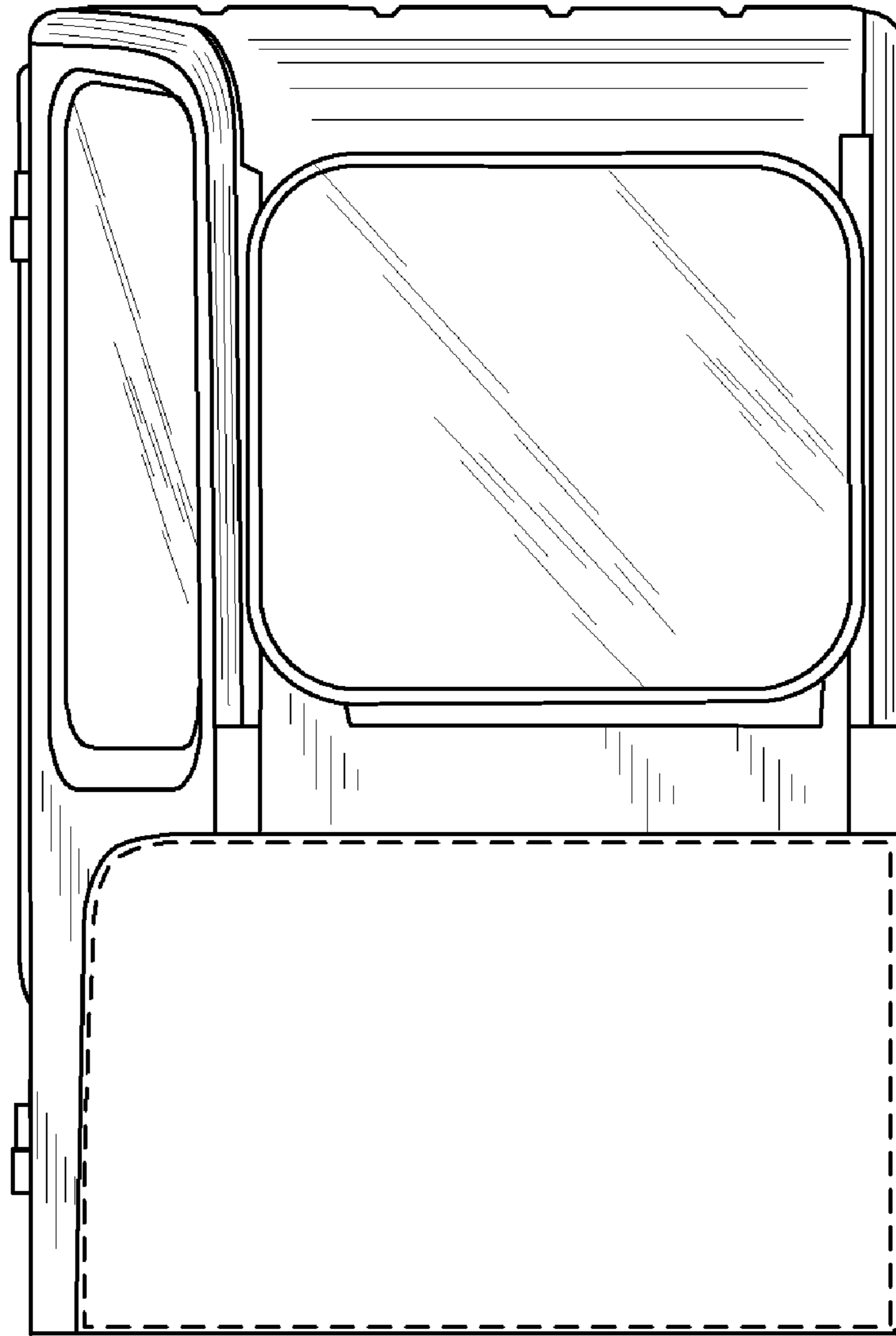
*FIG. 4*



*FIG. 5*

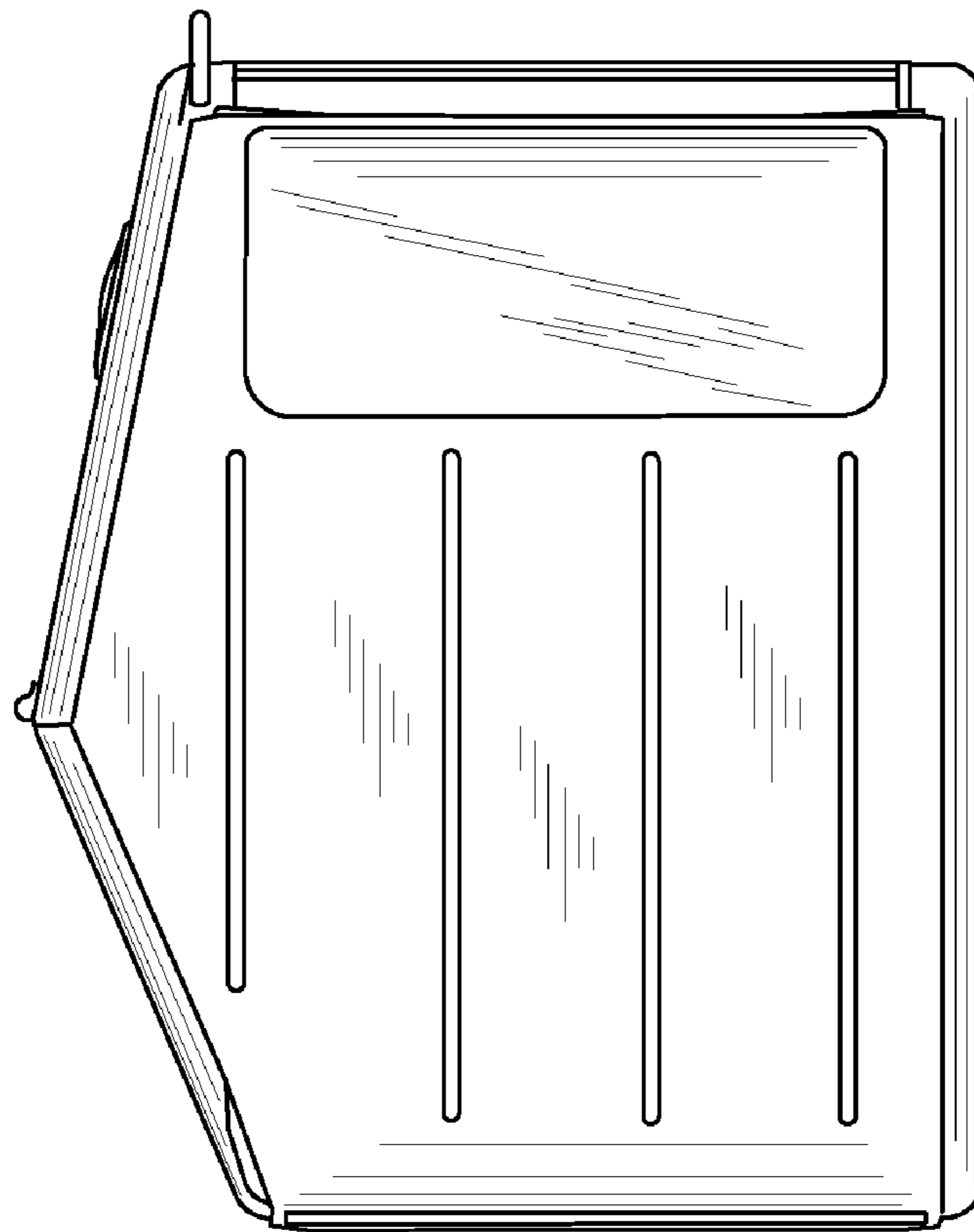


*FIG. 6*

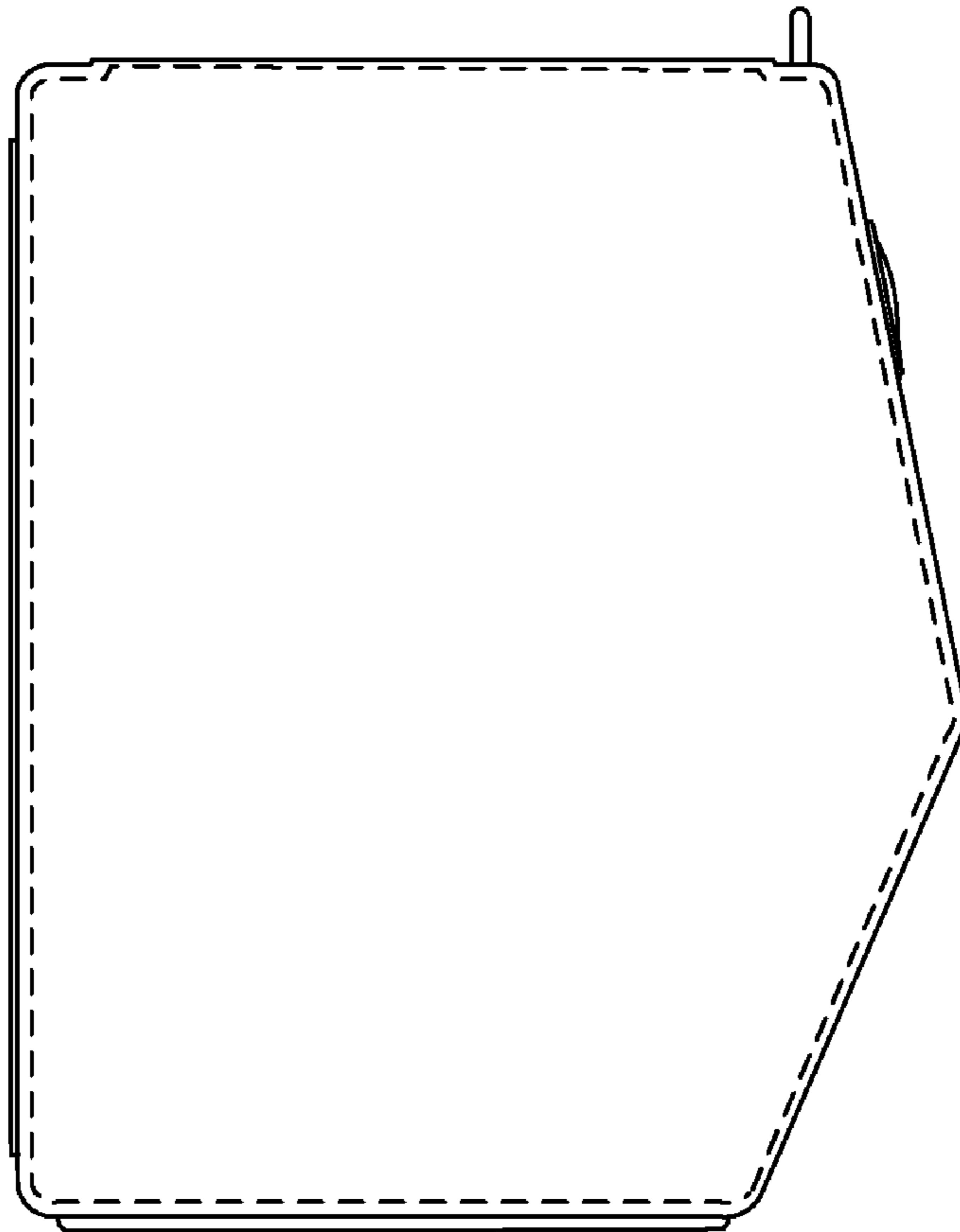


*FIG. 7*





*FIG. 8*



*FIG. 9*