



US00D607902S

(12) **United States Design Patent**
Sprinkmann

(10) **Patent No.:** **US D607,902 S**
(45) **Date of Patent:** **** Jan. 12, 2010**

(54) **LAWN GROOMING DEVICE**

(75) Inventor: **Steven A. Sprinkmann**, Germantown,
WI (US)

(73) Assignee: **S & B Lawn Systems, Inc.**, Waukesha,
WI (US)

(**) Term: **14 Years**

(21) Appl. No.: **29/314,836**

(22) Filed: **May 4, 2009**

(51) **LOC (9) Cl.** **15-03**

(52) **U.S. Cl.** **D15/17**

(58) **Field of Classification Search** D15/11,
D15/13, 17, 27, 28; 172/21, 315, 605, 681;
56/17.4, 320.1, 249, 16.7, DIG. 20, DIG. 24
See application file for complete search history.

(56) **References Cited**

U.S. PATENT DOCUMENTS

D164,362	S *	8/1951	Gaddis	D15/13
2,973,613	A *	3/1961	Hagedorn	56/10.5
3,190,061	A *	6/1965	Gilbertson	56/10.5
3,402,535	A *	9/1968	Nelson	56/320.1
3,537,720	A *	11/1970	Irgens	280/43
3,555,793	A *	1/1971	Chapman	56/17.4
D239,311	S *	3/1976	Cognata	D15/17
4,638,622	A *	1/1987	Smith	56/17.4
4,899,828	A *	2/1990	Harris	172/21
D329,652	S *	9/1992	Killian	D15/13
5,261,213	A *	11/1993	Humphrey	56/2
D354,964	S *	1/1995	Reichle	D15/17

5,870,888	A *	2/1999	Pugh	56/16.7
6,047,530	A *	4/2000	Bednar	56/6
6,523,335	B2 *	2/2003	Vanderipe	56/16.7
D584,747	S *	1/2009	Sprinkmann et al.	D15/17

* cited by examiner

Primary Examiner—Stella M Reid

Assistant Examiner—Mark A Goodwin

(74) *Attorney, Agent, or Firm*—Wells St. John P.S.

(57) **CLAIM**

The ornamental design for a lawn grooming device, as shown and described.

DESCRIPTION

FIG. 1 is a top right perspective view of a lawn grooming device showing my new design in use condition.

FIG. 2 is an enlarged top right perspective view thereof.

FIG. 3 is a top plan view thereof.

FIG. 4 is a bottom plan view thereof.

FIG. 5 is a front elevation view thereof.

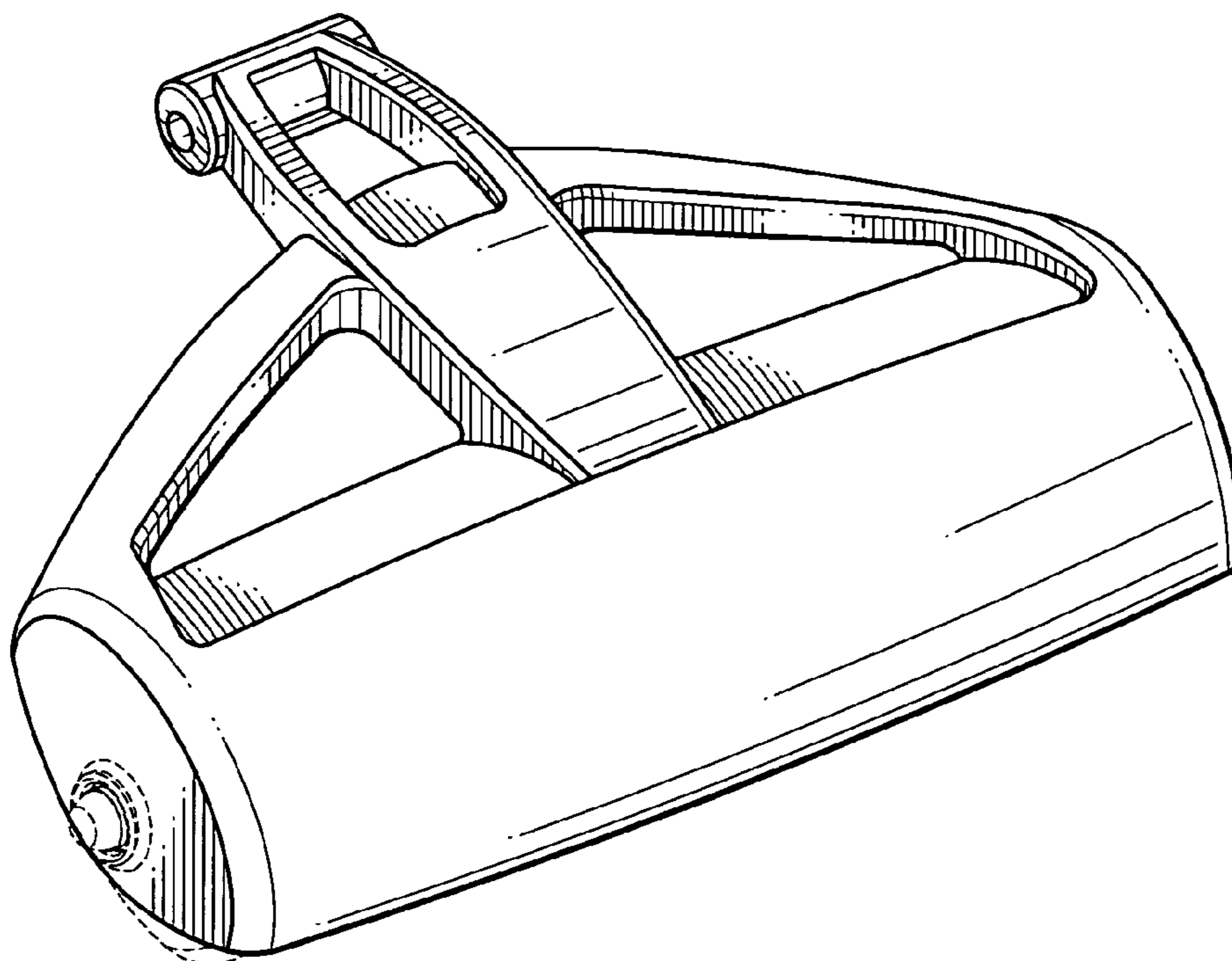
FIG. 6 is a rear elevation view thereof.

FIG. 7 is a left side elevation view thereof; and,

FIG. 8 is a right side elevation view thereof.

The broken line showing of a roller and surface features in FIGS. 1–8 and the broken line showing of a second lawn grooming device and a mounting structure shown in FIG. 1 is for environmental purposes only and forms no part of the claimed design.

1 Claim, 6 Drawing Sheets



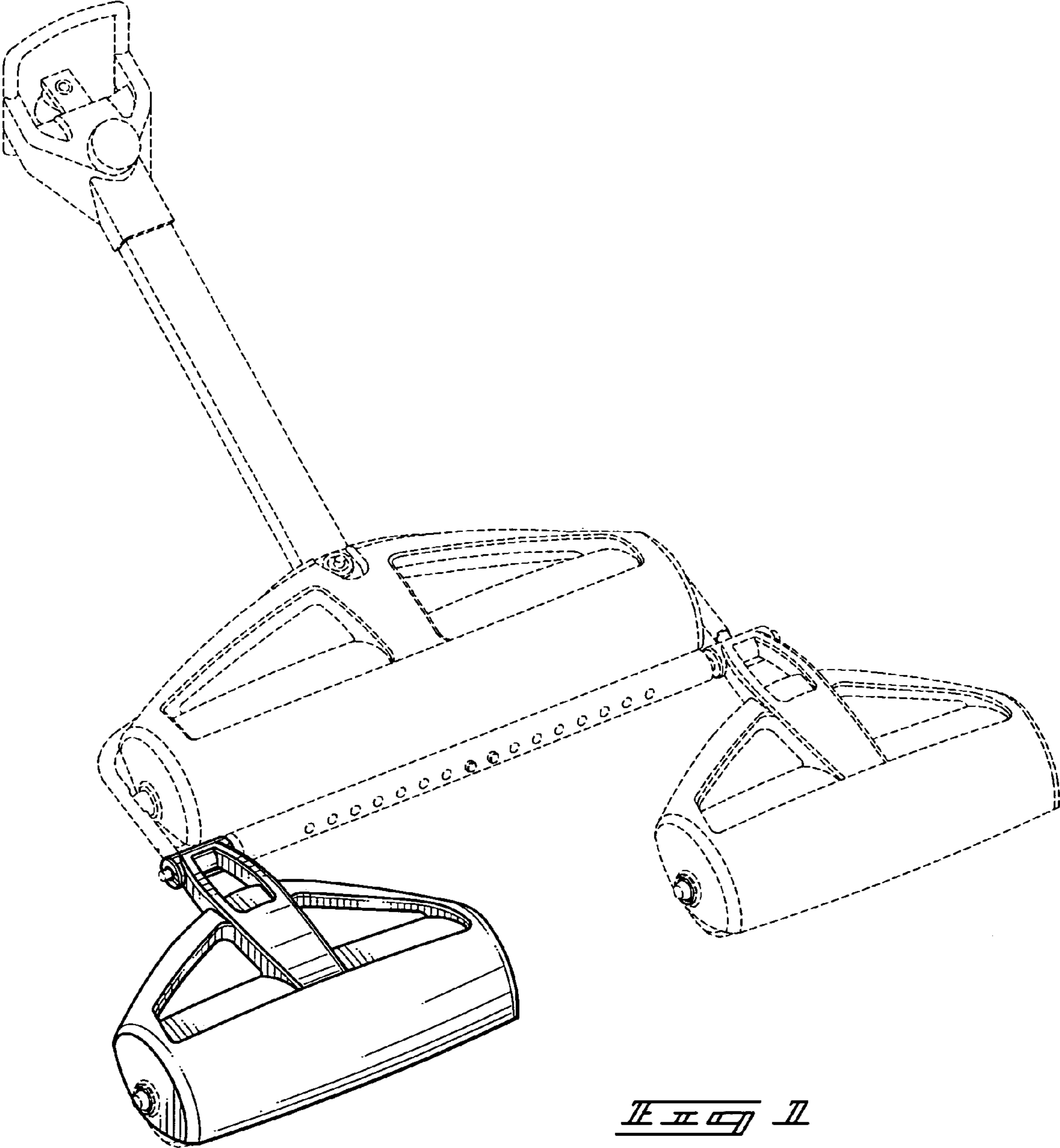


FIG. 1

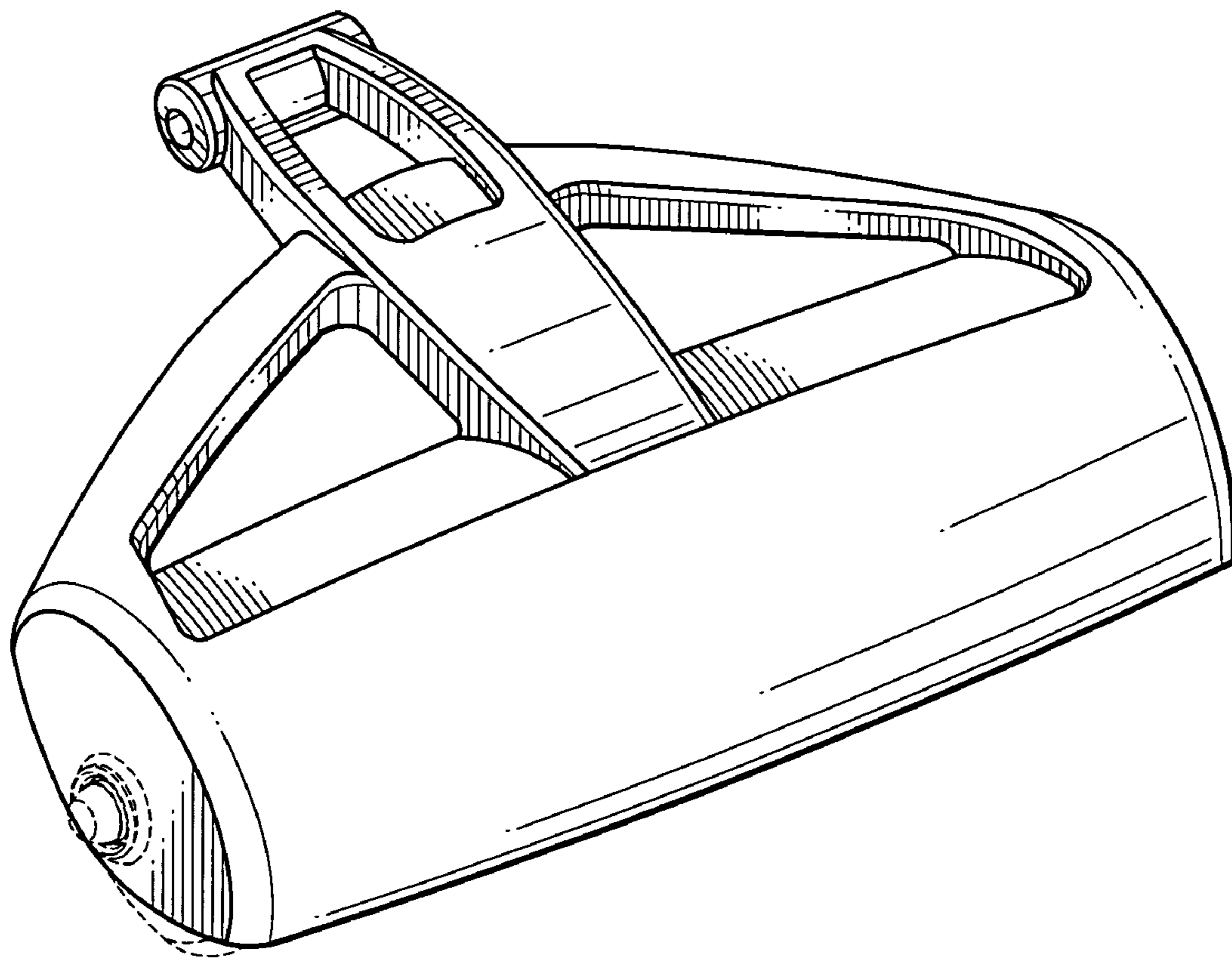
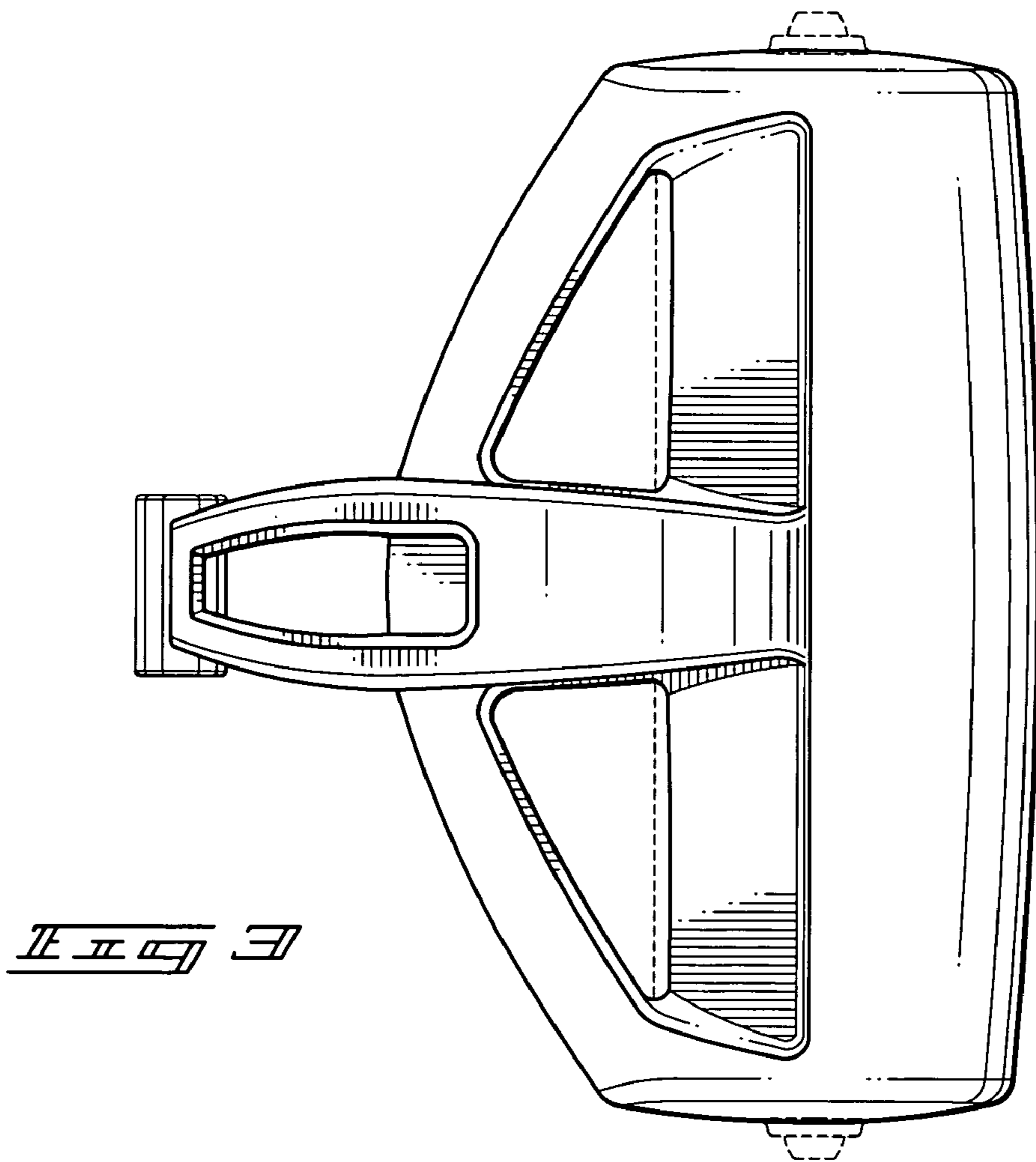
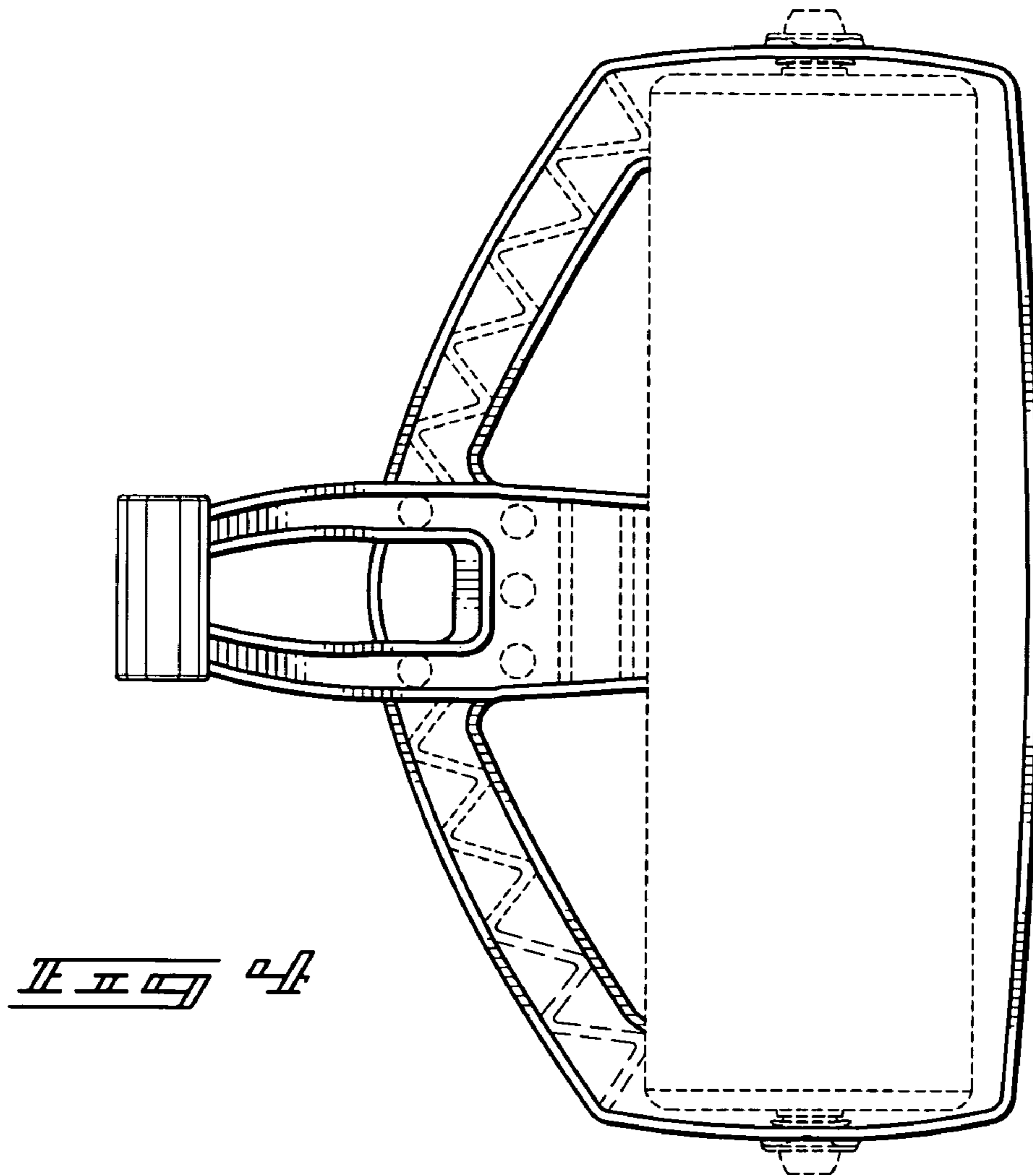


FIG. 2





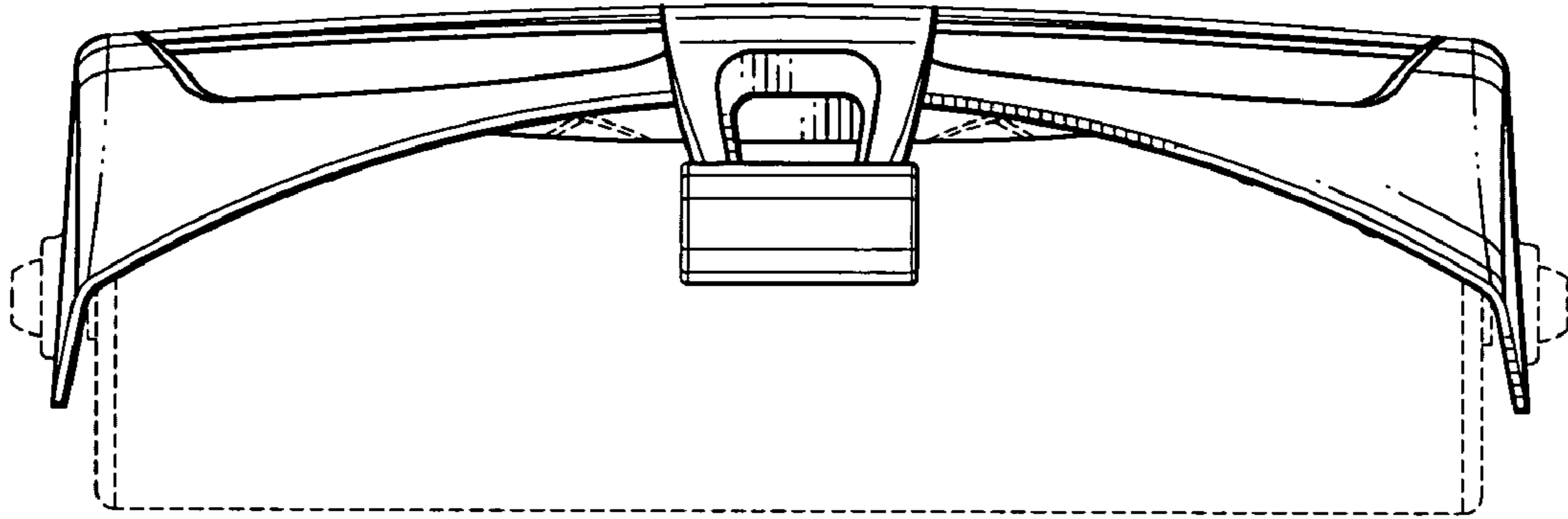


FIG. 5

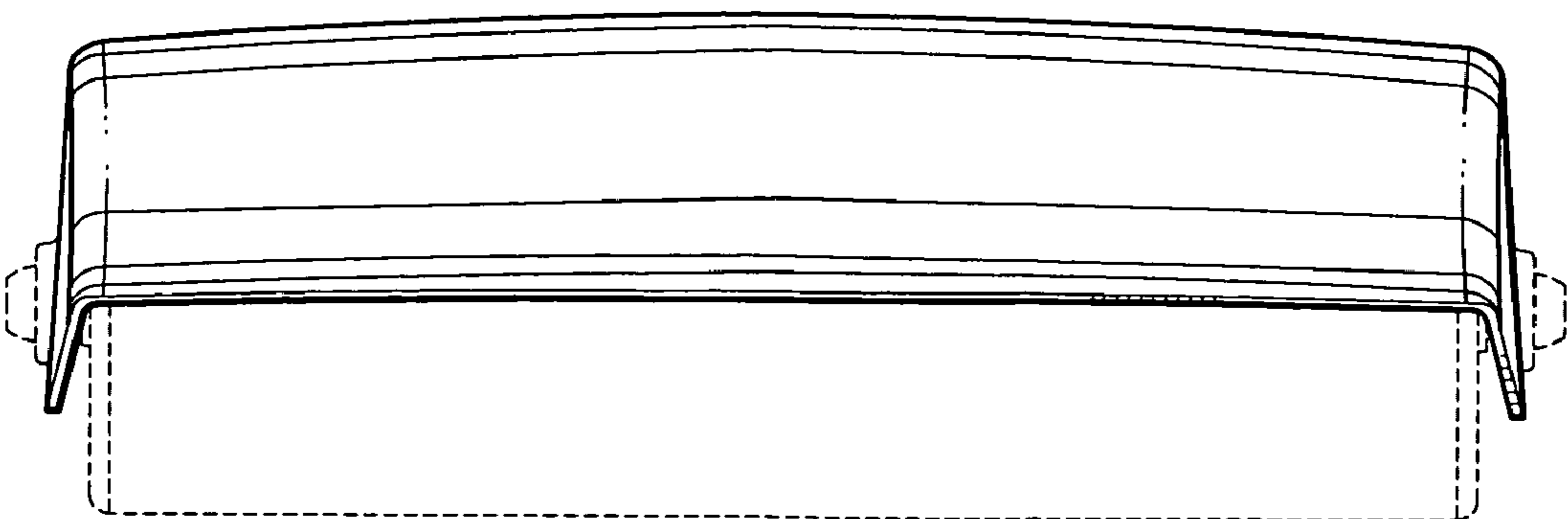


FIG. 6

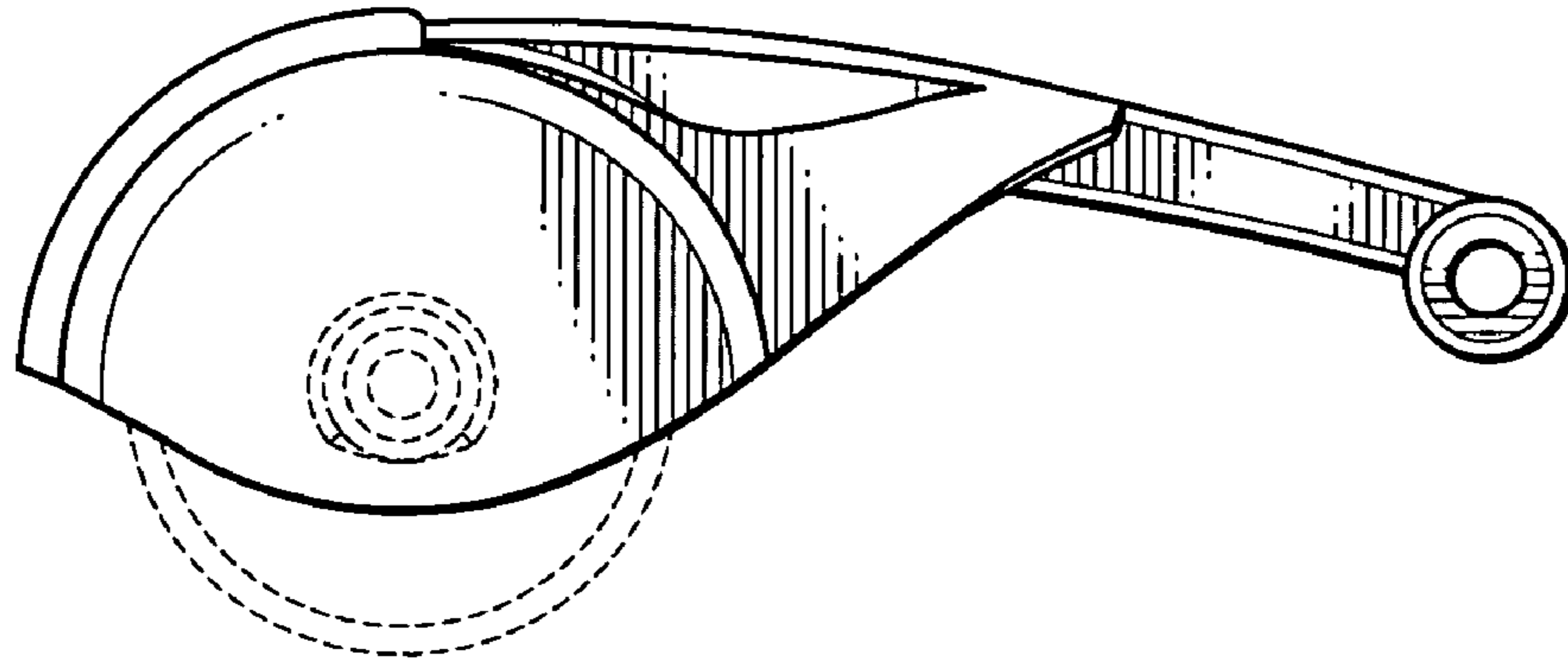


FIG. 1

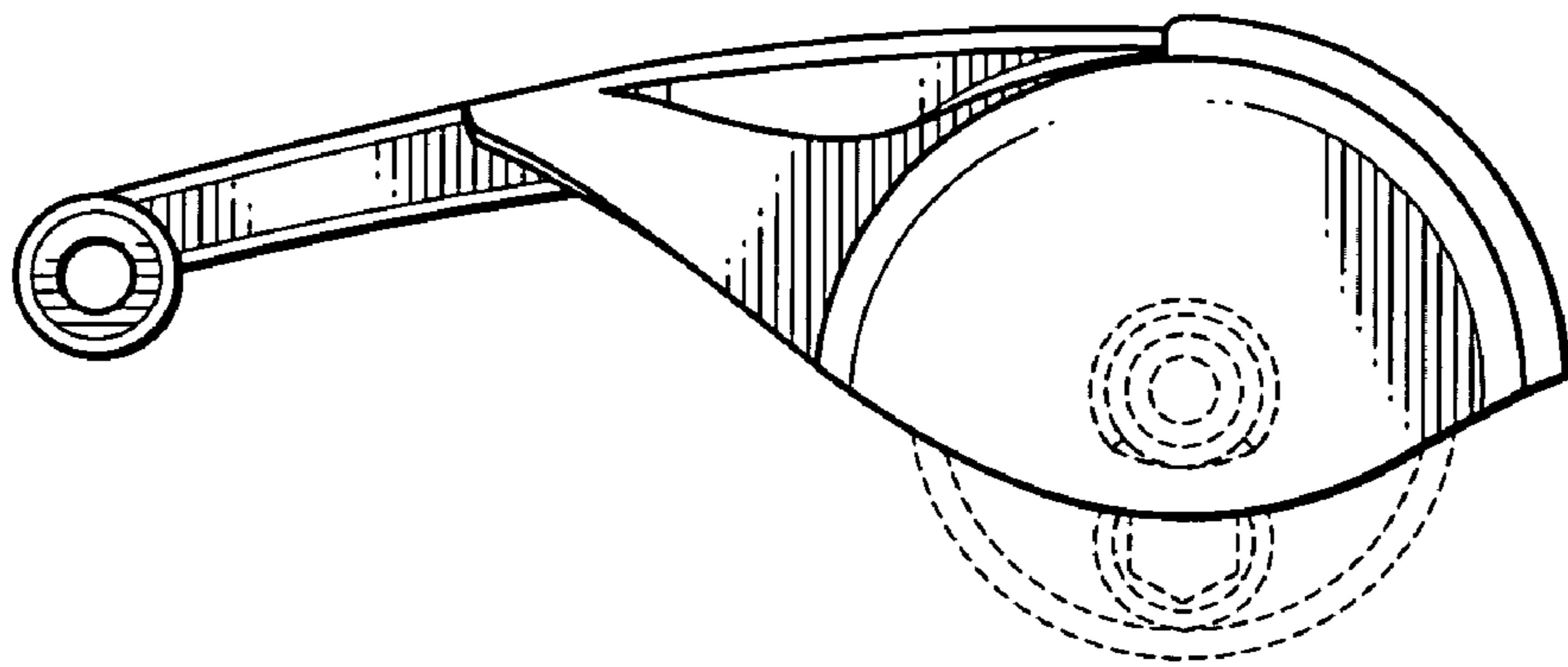


FIG. 2