



US00D607898S

(12) **United States Design Patent**
Lee

(10) **Patent No.:** **US D607,898 S**
(45) **Date of Patent:** **** Jan. 12, 2010**

(54) **DIGITAL AUDIO PLAYER**

(75) Inventor: **Wai Chung David Lee**, Kowloon (HK)

(73) Assignee: **Koninklijke Philips Electronics N.V.**,
Eindhoven (NL)

(**) Term: **14 Years**

(21) Appl. No.: **29/337,150**

(22) Filed: **May 15, 2009**

(30) **Foreign Application Priority Data**

Nov. 18, 2008 (EM) 001040398-0002

(51) **LOC (9) Cl.** **14-03**

(52) **U.S. Cl.** **D14/496; D14/203.3**

(58) **Field of Classification Search** D14/496,
D14/401, 435, 474, 483, 217, 137, 138, 160,
D14/168, 356, 203.1–203.8, 507; 345/156,
345/169, 173–179, 905; 715/727–729, 864;
710/1, 5, 8; 713/1, 600; 455/1.1, 1.7, 73,
455/344–347, 93, 95, 3.01–3.06, 550.1, 573.1;
370/342–344; 369/1, 2, 6–12; 463/43–47;
273/148 B

See application file for complete search history.

(56) **References Cited**

U.S. PATENT DOCUMENTS

5,825,408 A * 10/1998 Yuyama et al. 348/14.01
5,859,594 A * 1/1999 King et al. 340/7.55

D438,525 S * 3/2001 Katayama D14/203.7
6,328,570 B1 * 12/2001 Ng 434/307 A
6,593,914 B1 * 7/2003 Nuovo et al. 345/169
6,606,281 B2 * 8/2003 Cowgill et al. 369/11
D497,606 S * 10/2004 Yang D14/203.3
D535,281 S * 1/2007 Yang D14/203.3
D560,228 S * 1/2008 Andre et al. D14/496
D585,078 S * 1/2009 Walton D14/496
D592,227 S * 5/2009 Oh et al. D14/496

* cited by examiner

Primary Examiner—Prabhakar Deshmukh

(57) **CLAIM**

The ornamental design for a digital audio player, as shown and described.

DESCRIPTION

FIG. 1 is a perspective view of a digital audio player showing my new design;

FIG. 2 is a front elevational view thereof;

FIG. 3 is a rear elevational view thereof;

FIG. 4 is a right side elevational view thereof;

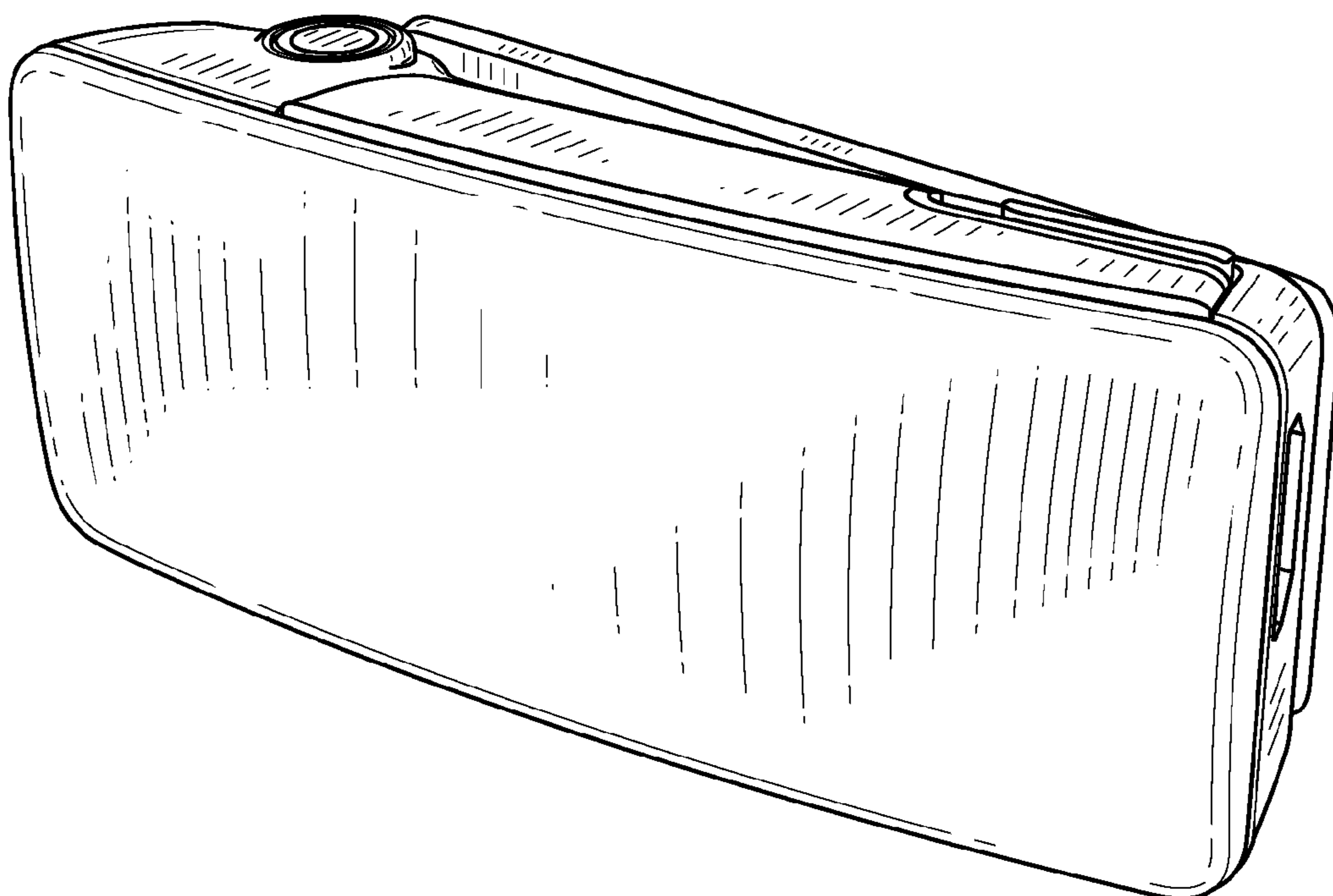
FIG. 5 is a left side elevational view thereof;

FIG. 6 is a top plan view thereof; and,

FIG. 7 is a bottom plan view thereof.

The broken lines environmental is for illustrative purpose only and form no part of the claimed design.

1 Claim, 3 Drawing Sheets



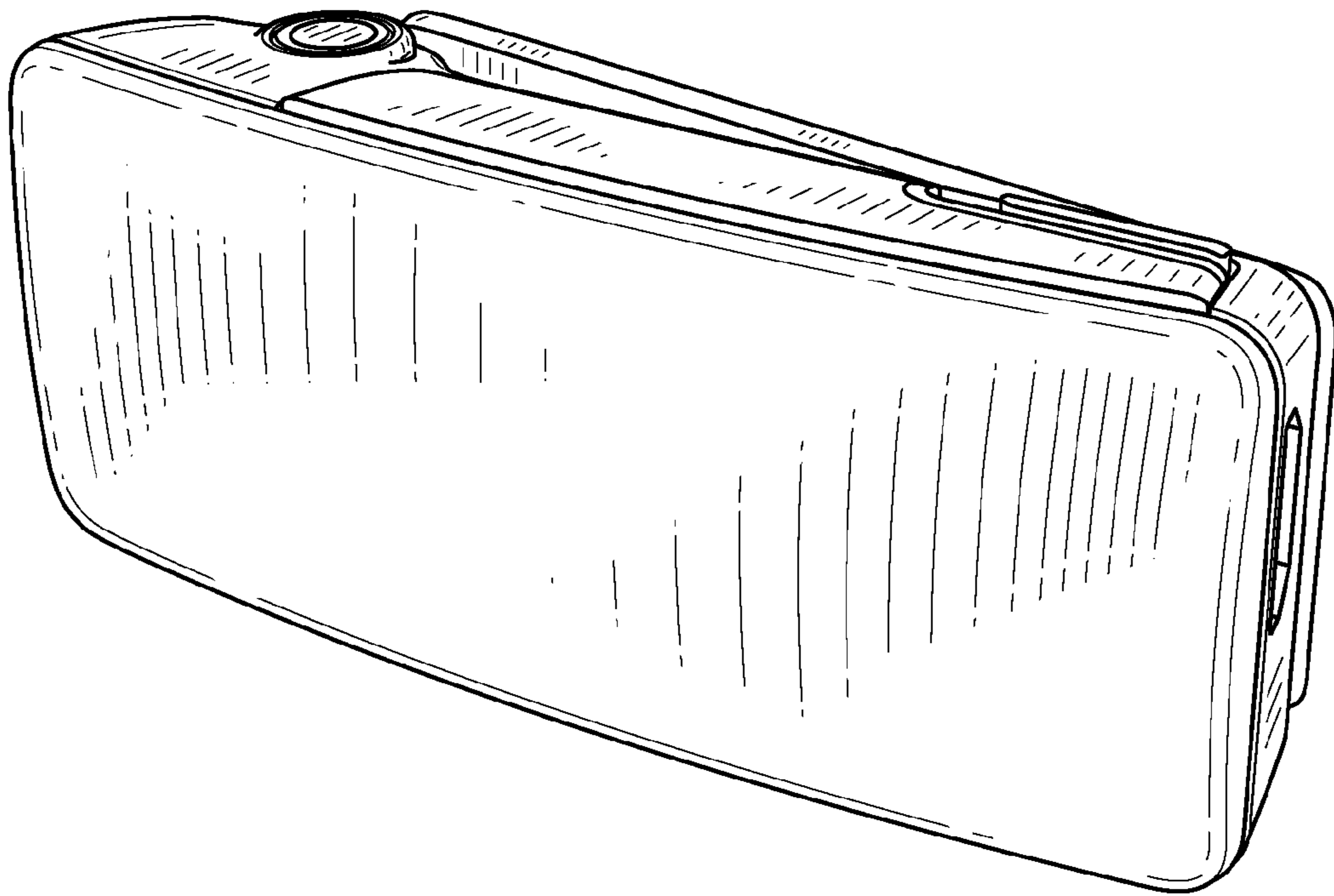


FIG. 1

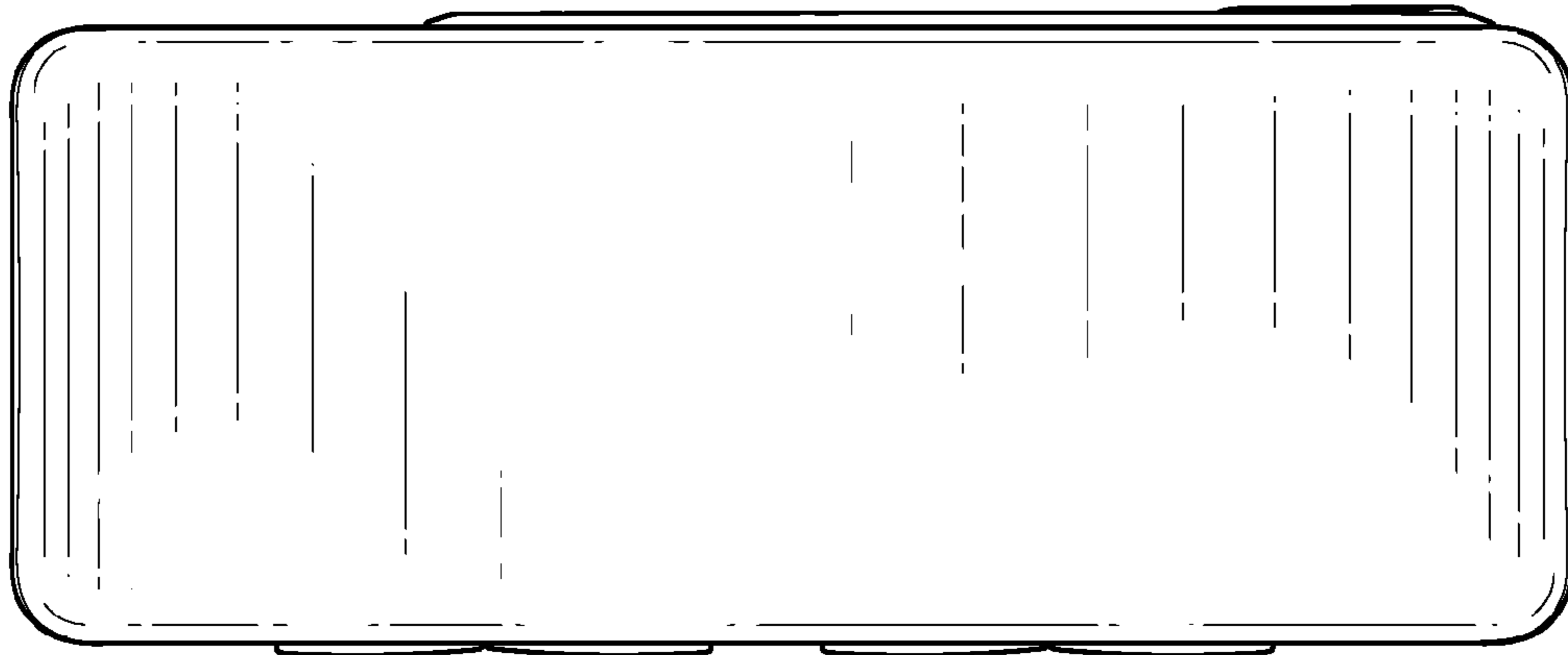


FIG. 2

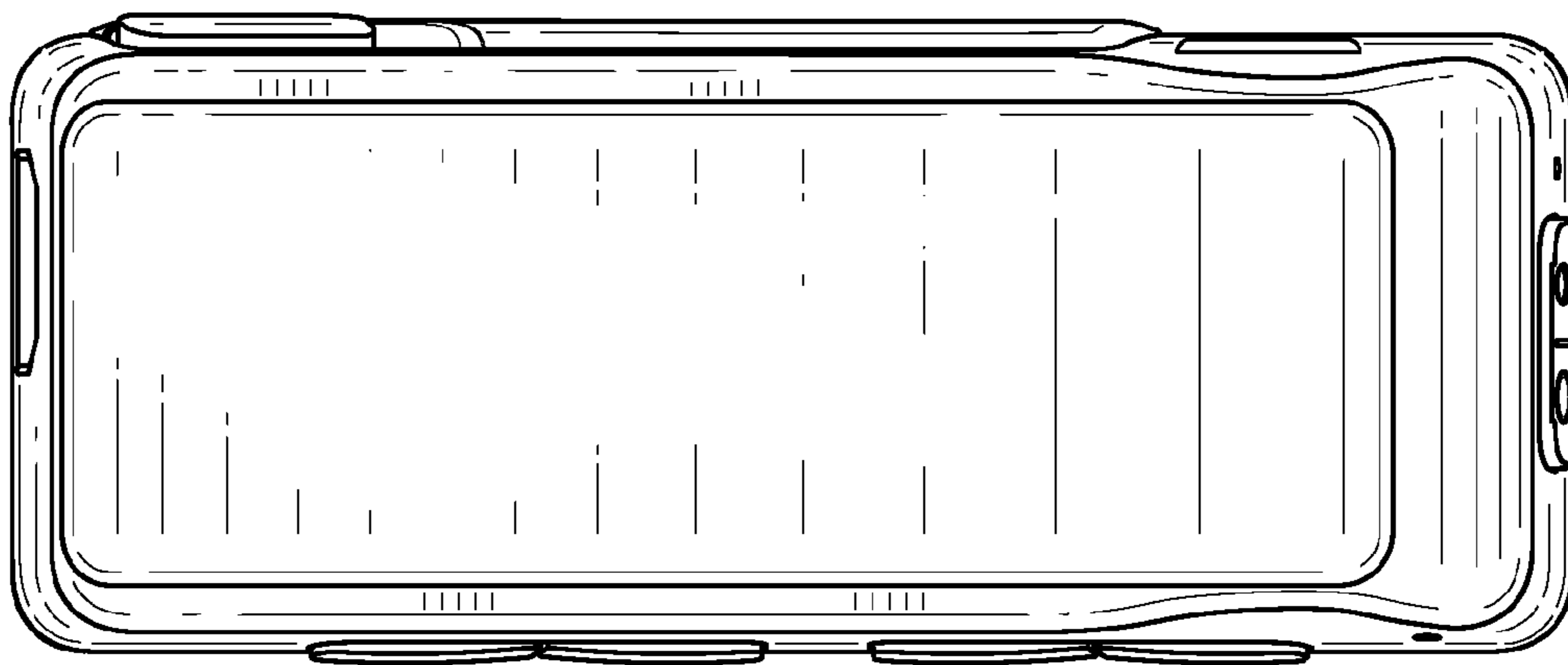


FIG. 3

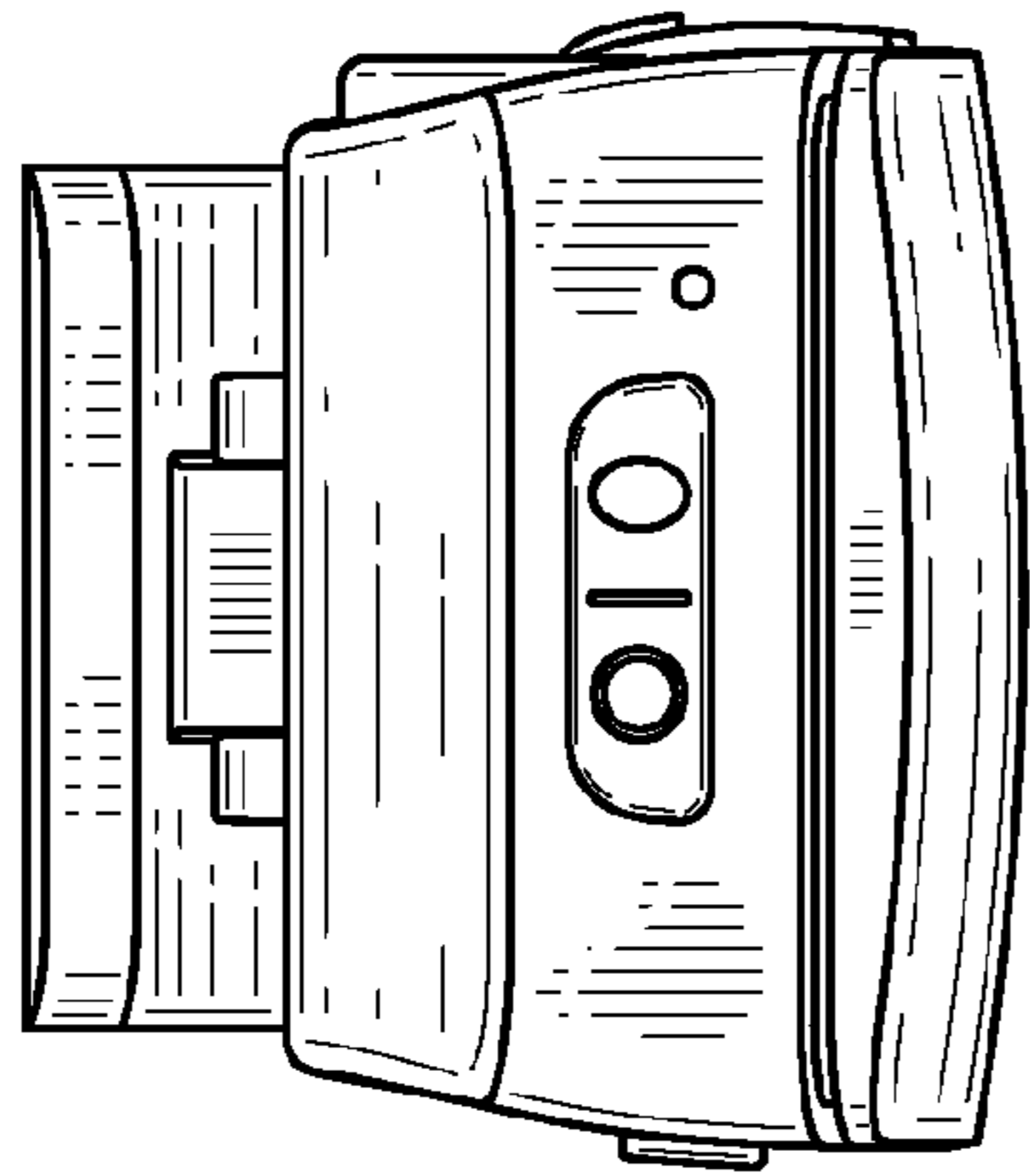


FIG. 4

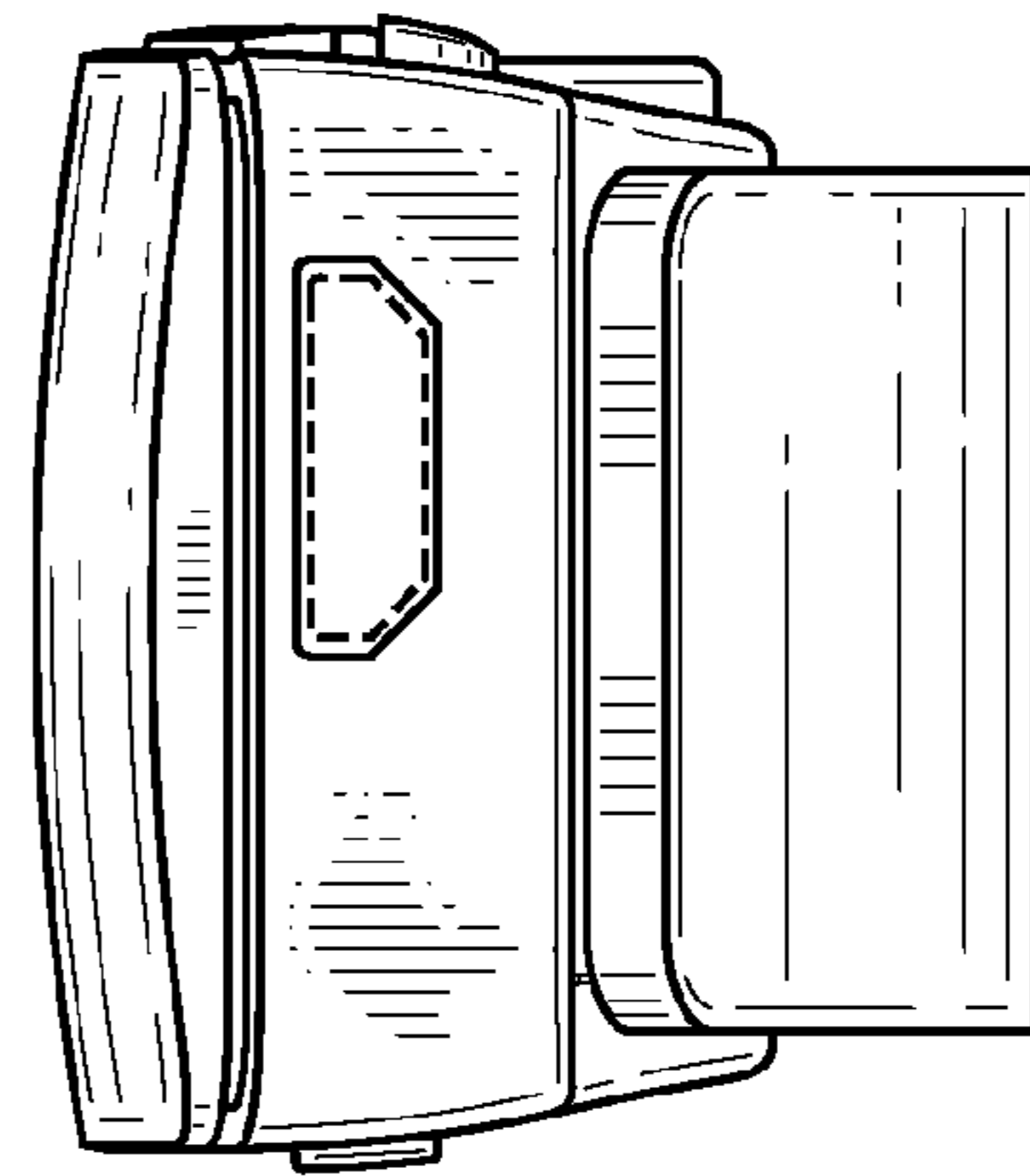


FIG. 5

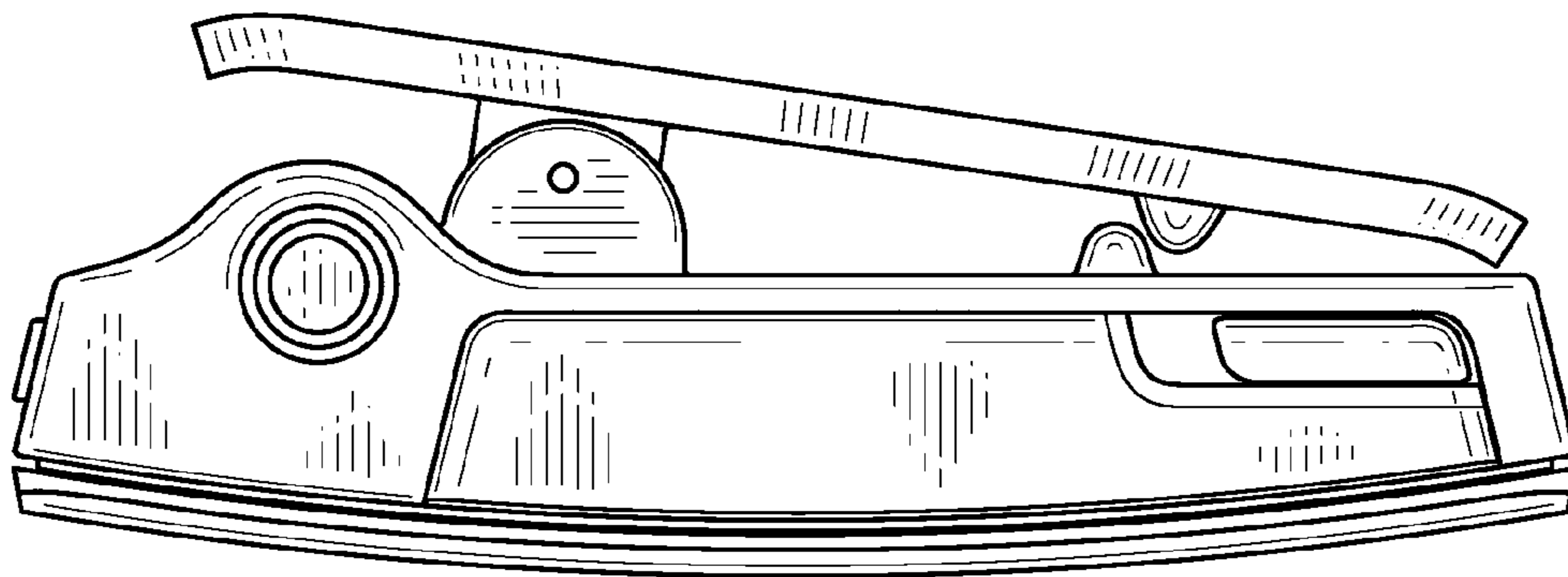


FIG. 6

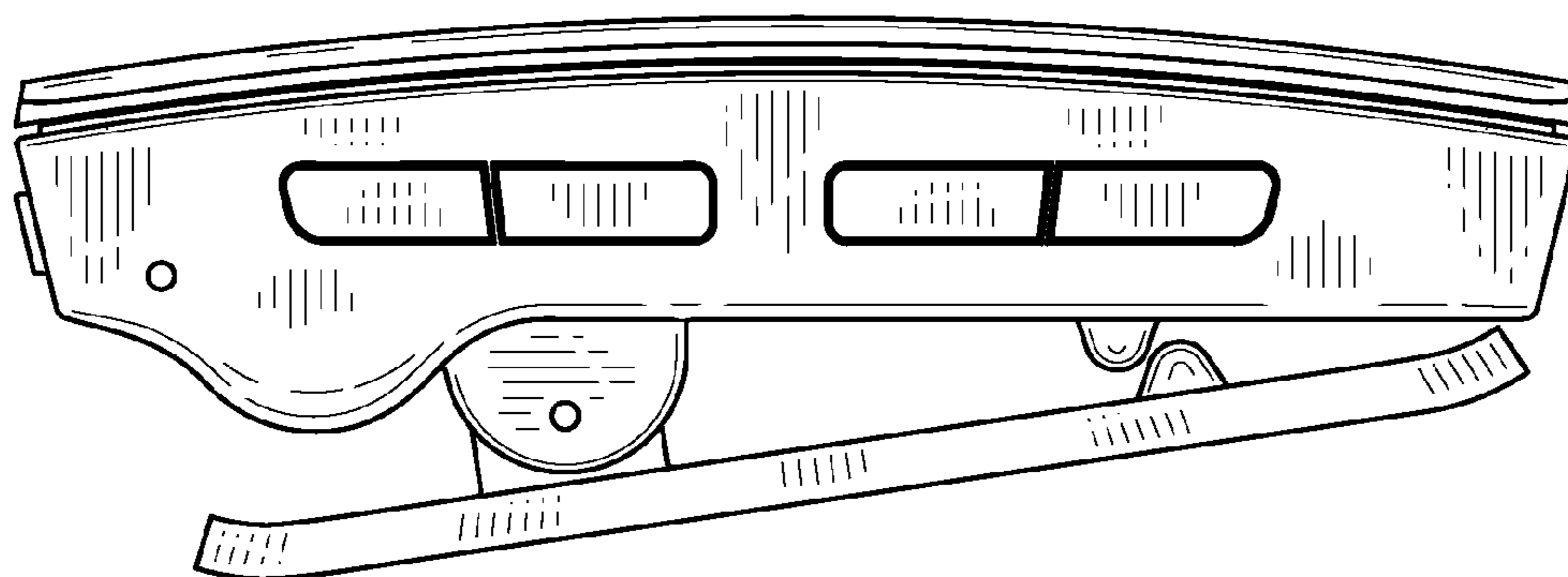


FIG. 7