



US00D607886S

(12) **United States Design Patent**  
**Bolotin et al.**

(10) **Patent No.:** **US D607,886 S**  
(45) **Date of Patent:** **\*\* Jan. 12, 2010**

(54) **ELECTRONIC STICK PACKAGE**

(75) Inventors: **Lev M. Bolotin**, Kirkland, WA (US);  
**Robert Hubler**, Woodinville, WA (US);  
**Simon B. Johnson**, Bonney Lake, WA  
(US)

(73) Assignee: **Clevx, LLC**, Kirkland, WA (US)

(\*\*) Term: **14 Years**

(21) Appl. No.: **29/323,364**

(22) Filed: **Aug. 23, 2008**

(51) **LOC (9) Cl.** ..... **14-99**

(52) **U.S. Cl.** ..... **D14/480.1**; D19/9

(58) **Field of Classification Search** ..... D14/411,  
D14/433, 435.1, 436, 480.1-480.7, 484.1,  
D14/137, 155, 167, 168, 203.1-203.8, 240,  
D14/242, 299; D3/201, 273; D13/107, 108,  
D13/149, 184; 361/679.31, 679.33, 679.4,  
361/752; 711/100, 115; 710/300, 301; 439/131,  
439/135-147; D19/9

See application file for complete search history.

(56) **References Cited**

**U.S. PATENT DOCUMENTS**

D271,970 S \* 12/1983 Velsher et al. .... D14/140.5  
D422,787 S \* 4/2000 Feng ..... D3/273

D488,158 S \* 4/2004 Chen et al. .... D14/433  
D488,464 S \* 4/2004 Lin et al. .... D14/242  
7,466,556 B2 \* 12/2008 Hiew et al. .... 361/737  
D587,719 S \* 3/2009 Tate et al. .... D14/480.1  
2007/0101060 A1 \* 5/2007 Robinson et al. .... 711/115  
2009/0040737 A1 \* 2/2009 Shimura et al. .... 361/752  
2009/0137137 A1 \* 5/2009 Jeong et al. .... 439/131

\* cited by examiner

*Primary Examiner*—Cathron C Brooks

*Assistant Examiner*—Karen E Kearney

(74) *Attorney, Agent, or Firm*—Mikio Ishimaru

(57) **CLAIM**

We claim the ornamental design for the electronic stick pack-  
age, as shown and described.

**DESCRIPTION**

FIG. 1 is a perspective view of an electronic stick package  
showing our new design;

FIG. 2 is a front view thereof;

FIG. 3 is a left side view thereof;

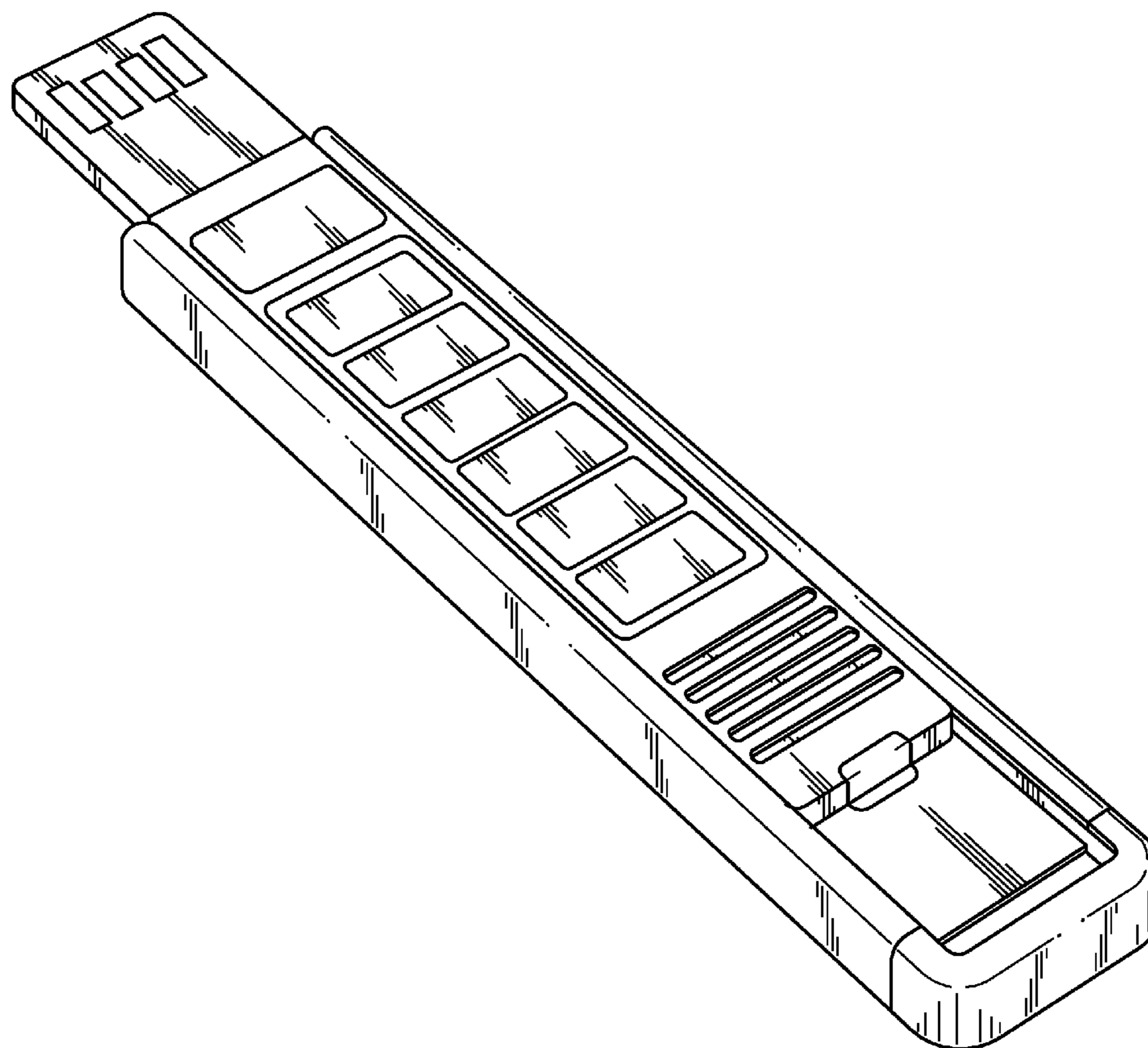
FIG. 4 is a right side view thereof;

FIG. 5 is a top view thereof;

FIG. 6 is a back view thereof; and,

FIG. 7 is a bottom view thereof

**1 Claim, 3 Drawing Sheets**



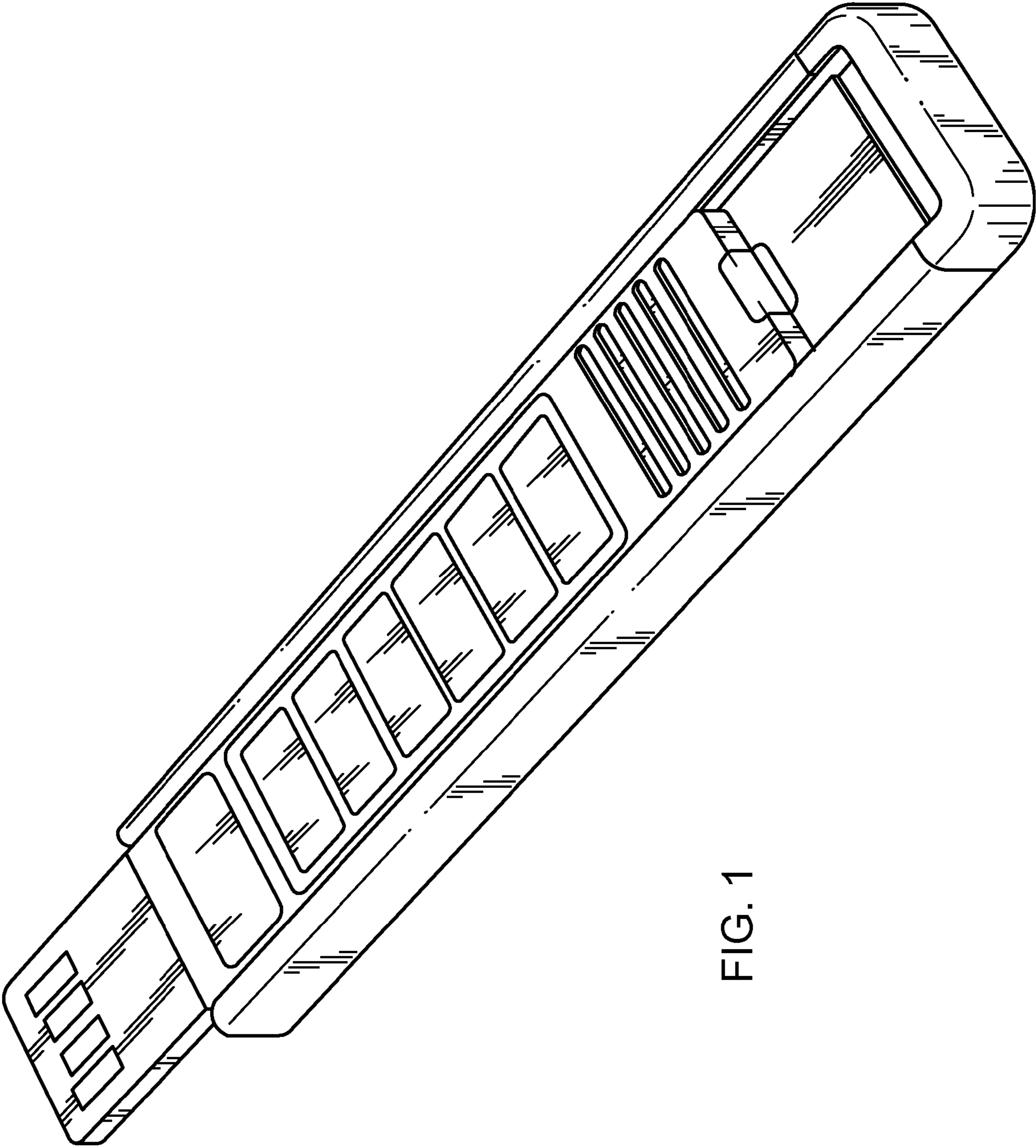


FIG. 1

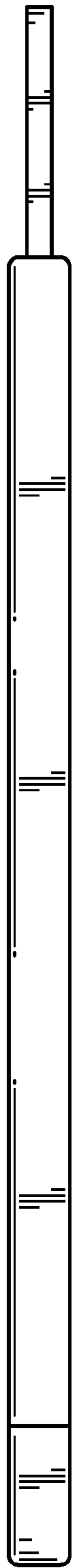


FIG. 3

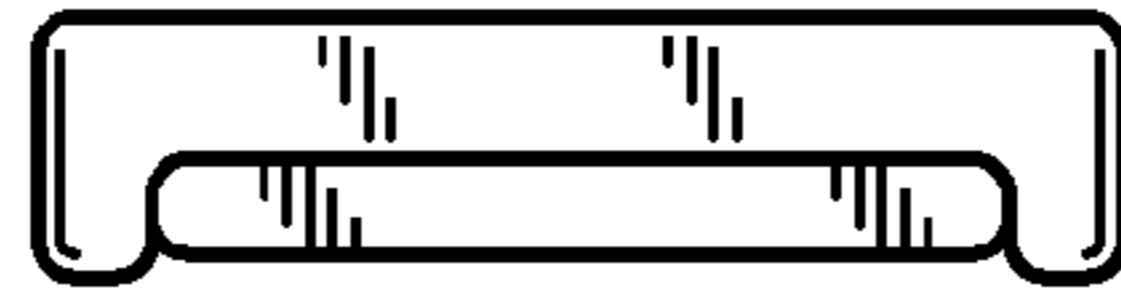


FIG. 5

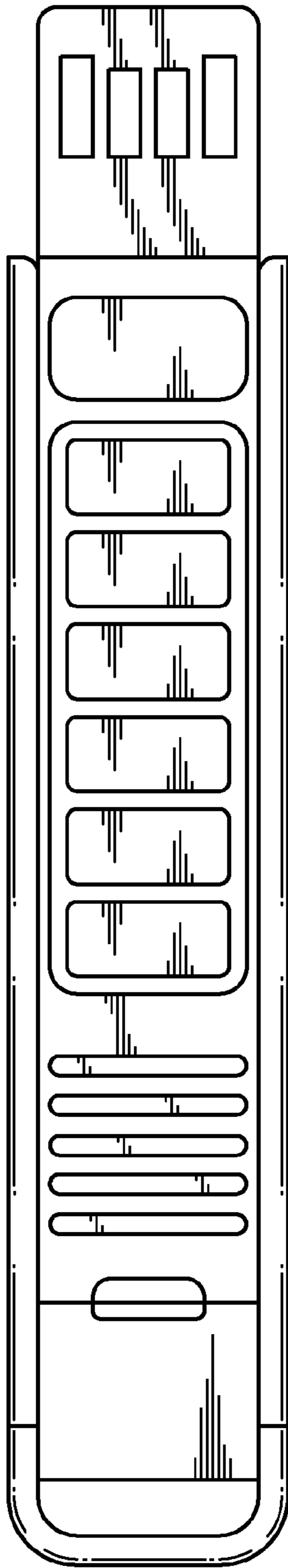


FIG. 2

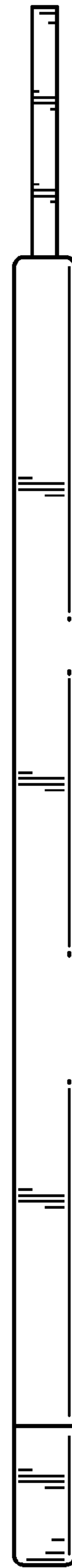


FIG. 4

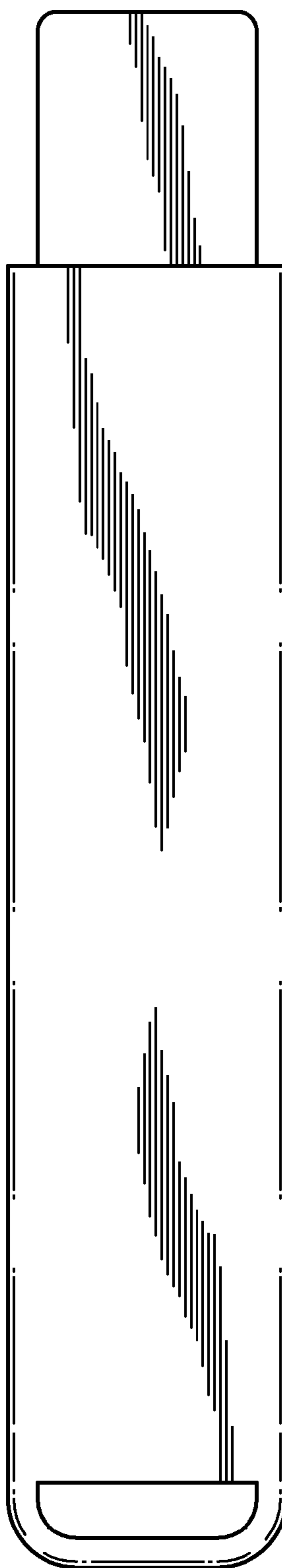


FIG. 6

FIG. 7

