



US00D607881S

(12) **United States Design Patent**  
**Suetake et al.**

(10) **Patent No.:** **US D607,881 S**  
(45) **Date of Patent:** **\*\* Jan. 12, 2010**

(54) **MICROPHONE UNIT**

(75) Inventors: **Fumiyoshi Suetake**, Kyoto (JP); **Shinji Yamamoto**, Kyoto (JP); **Yuji Hori**, Kyoto (JP)

(73) Assignee: **Nintendo Co., Ltd.**, Kyoto (JP)

(\*\*) Term: **14 Years**

(21) Appl. No.: **29/330,357**

(22) Filed: **Jan. 6, 2009**

(30) **Foreign Application Priority Data**

Jul. 7, 2008 (JP) ..... 2008-017374  
Jul. 7, 2008 (JP) ..... 2008-017375

(51) **LOC (9) Cl.** ..... **14-01**

(52) **U.S. Cl.** ..... **D14/227**

(58) **Field of Classification Search** ..... D14/225,  
D14/226, 227, 228, 229, 188, 204, 207, 208-214,  
D14/150; 181/158, 242; 381/181, 355, 356,  
381/357; D10/20, 21, 28; D13/133, 146,  
D13/147, 162, 164, 184

See application file for complete search history.

(56) **References Cited**

**U.S. PATENT DOCUMENTS**

D120,157 S \* 4/1940 Giannini ..... D14/229  
D164,243 S \* 8/1951 Lapteff ..... D14/227  
D327,479 S \* 6/1992 Britz ..... D14/225  
D335,671 S \* 5/1993 Yang ..... D14/227  
D349,286 S \* 8/1994 Robertus ..... D14/159  
D397,618 S \* 9/1998 Scott et al. .... D10/6  
D399,842 S \* 10/1998 Matsuda et al. .... D14/150  
D402,658 S \* 12/1998 Hyogo ..... D14/215  
D403,328 S \* 12/1998 Wakefield ..... D14/229  
D413,069 S \* 8/1999 Kokkinis ..... D10/15  
D417,672 S \* 12/1999 Laufer et al. .... D14/240  
6,016,346 A \* 1/2000 Rittmueller et al. .... 379/420.02  
D429,231 S \* 8/2000 Johnsson ..... D14/159  
D433,013 S \* 10/2000 Yuyama et al. .... D14/227  
D450,308 S \* 11/2001 Benders ..... D14/159

D471,573 S \* 3/2003 Hovanky et al. .... D16/202  
D471,899 S \* 3/2003 Hovanky et al. .... D14/225  
D485,824 S \* 1/2004 Olson et al. .... D14/204  
D493,441 S \* 7/2004 Sabick et al. .... D14/149  
D494,152 S \* 8/2004 Sabick et al. .... D14/149  
D499,392 S \* 12/2004 Bathurst et al. .... D14/150  
D501,659 S \* 2/2005 Yamaji ..... D14/188  
6,922,206 B2 \* 7/2005 Chu et al. .... 348/14.09  
D514,553 S \* 2/2006 Yang ..... D14/229  
D528,104 S \* 9/2006 Kimura ..... D14/227  
D556,835 S 12/2007 Ashida et al.  
D556,836 S 12/2007 Ashida et al.  
D557,676 S \* 12/2007 Suzuki et al. .... D14/149  
D558,786 S \* 1/2008 Green et al. .... D14/496  
D567,807 S \* 4/2008 Bodley et al. .... D14/225  
D570,330 S \* 6/2008 Tejima ..... D14/188  
D571,351 S \* 6/2008 Sogabe ..... D14/168  
D572,237 S \* 7/2008 Hsiung ..... D14/214

(Continued)

*Primary Examiner*—Paula Greene

(74) *Attorney, Agent, or Firm*—Nixon & Vanderhye, P.C.

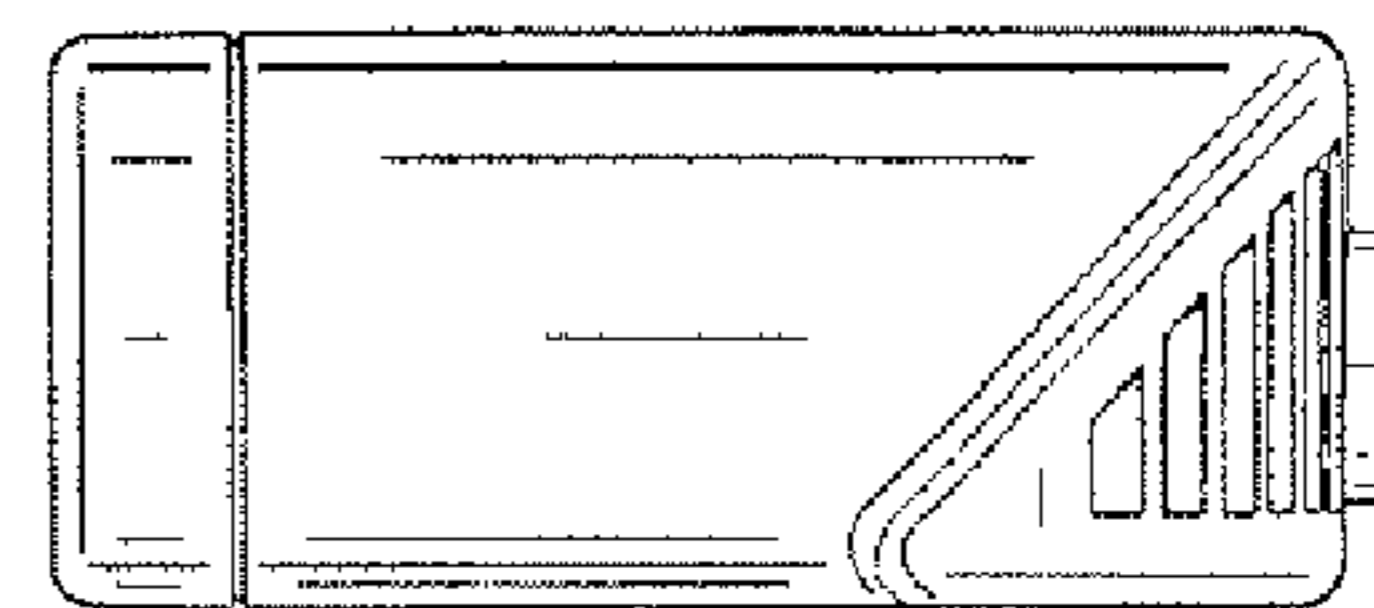
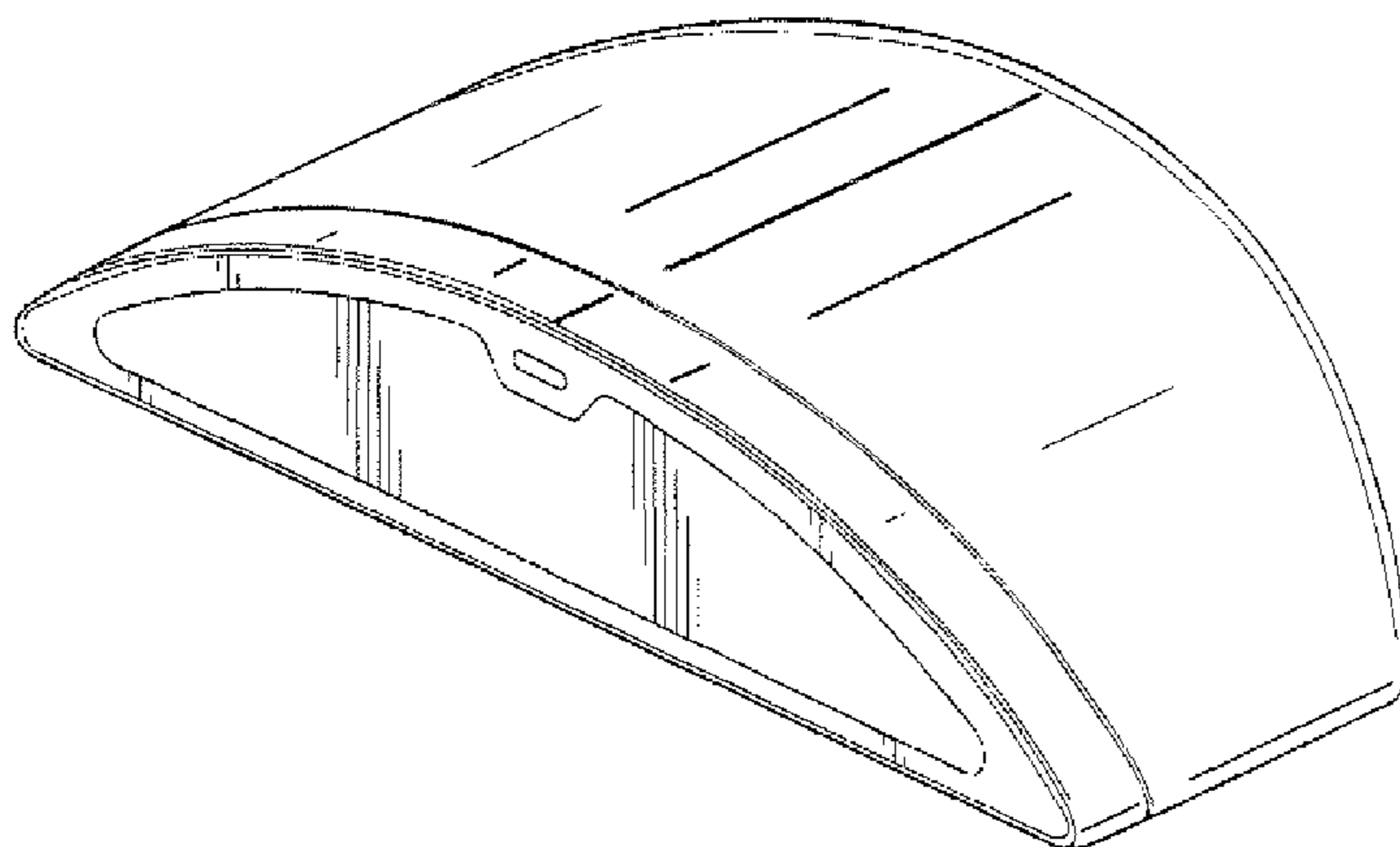
(57) **CLAIM**

The ornamental designs for a microphone unit, as shown and described.

**DESCRIPTION**

FIG. 1 is a front, top and right perspective view of a microphone unit showing our new design;  
FIG. 2 is a rear, bottom and left perspective view thereof;  
FIG. 3 is a front view thereof;  
FIG. 4 is a rear view thereof;  
FIG. 5 is a right side view thereof, a left side view thereof being a mirror image;  
FIG. 6 is a top plan view thereof; and,  
FIG. 7 is a bottom plan view thereof.

**1 Claim, 3 Drawing Sheets**



# US D607,881 S

Page 2

---

## U.S. PATENT DOCUMENTS

D576,148 S *	9/2008	Lee et al. ....	D14/188	D590,809 S *	4/2009	Thusbass .....	D14/188
D576,686 S	9/2008	Ashida et al.		D595,735 S *	7/2009	Green .....	D14/496
D582,385 S *	12/2008	Sanguinetti .....	D14/188				

\* cited by examiner

FIG. 1

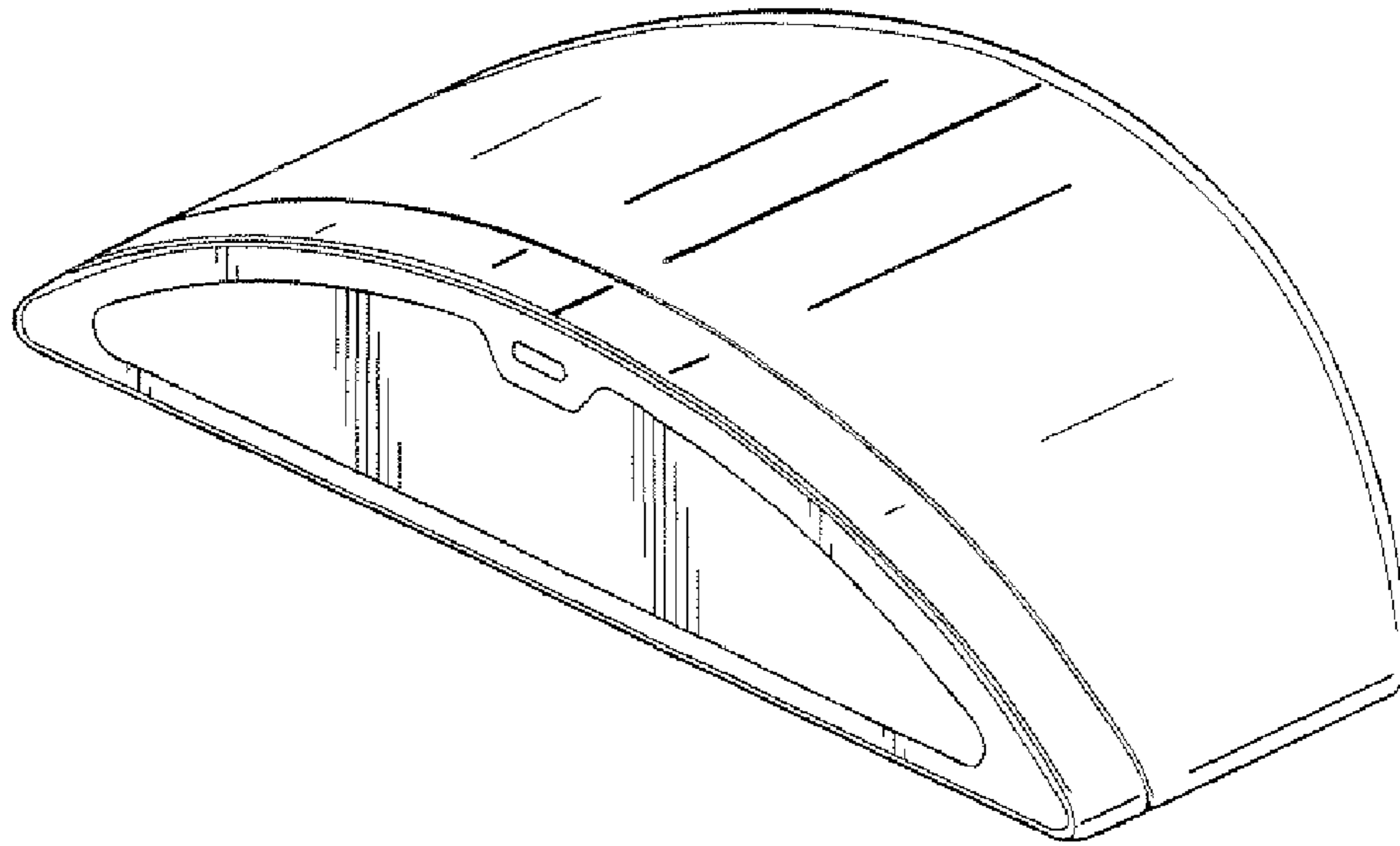


FIG. 2

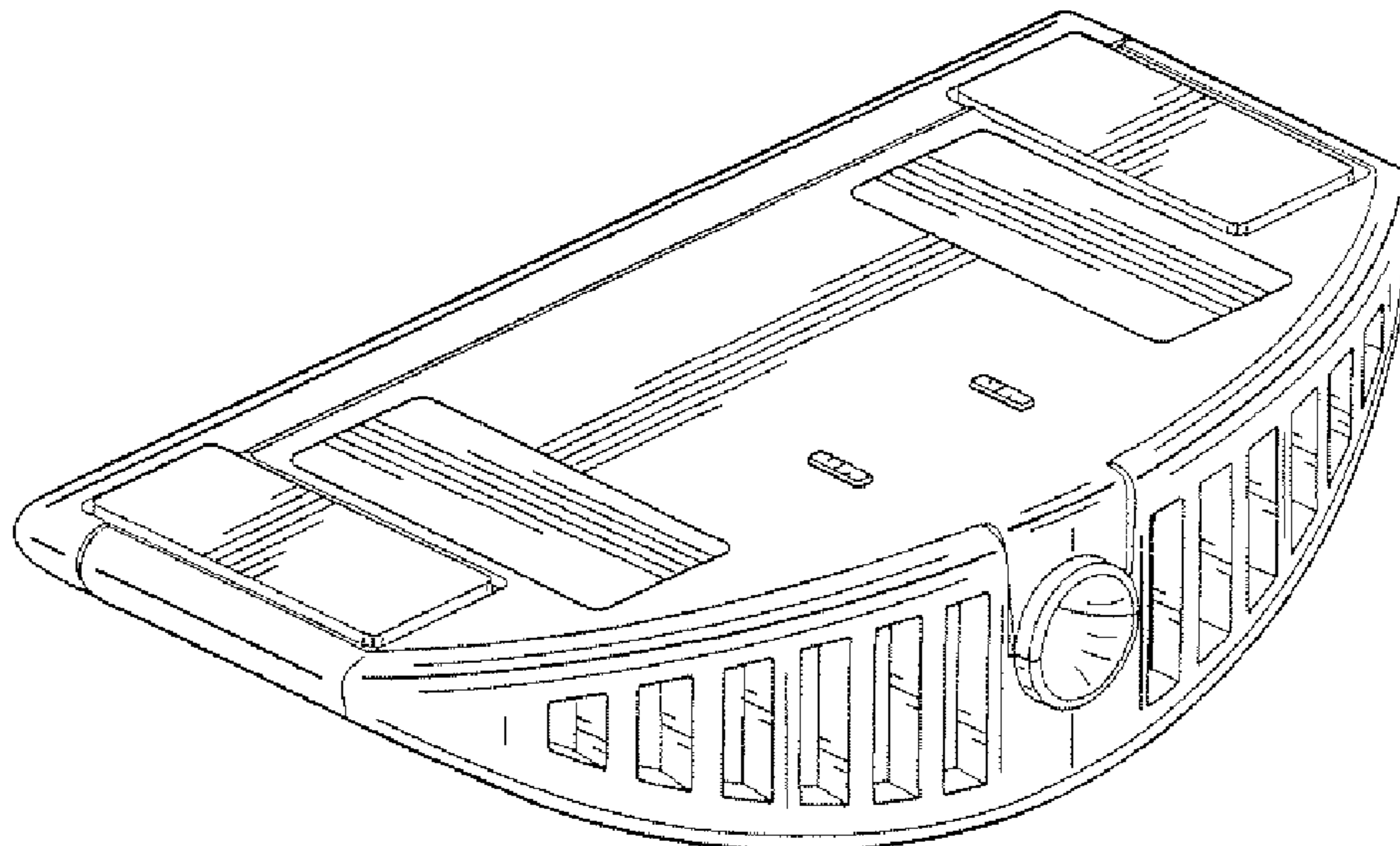


FIG. 3

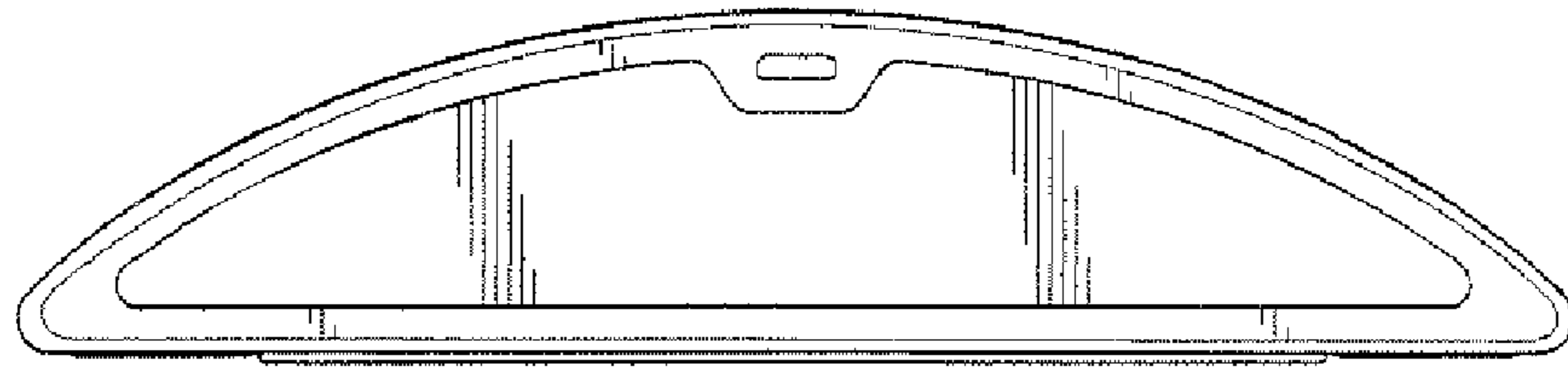


FIG. 4

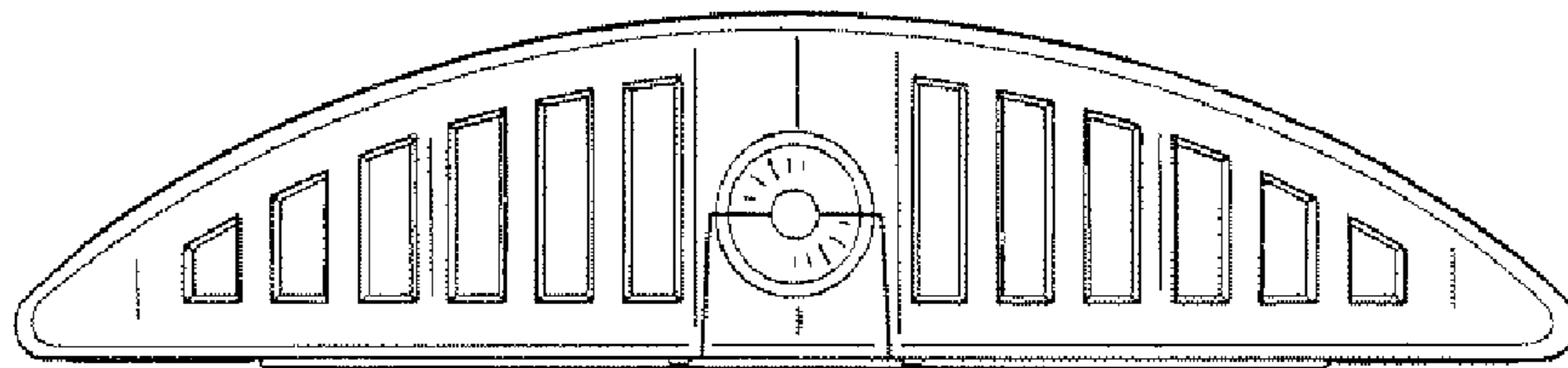


FIG. 5

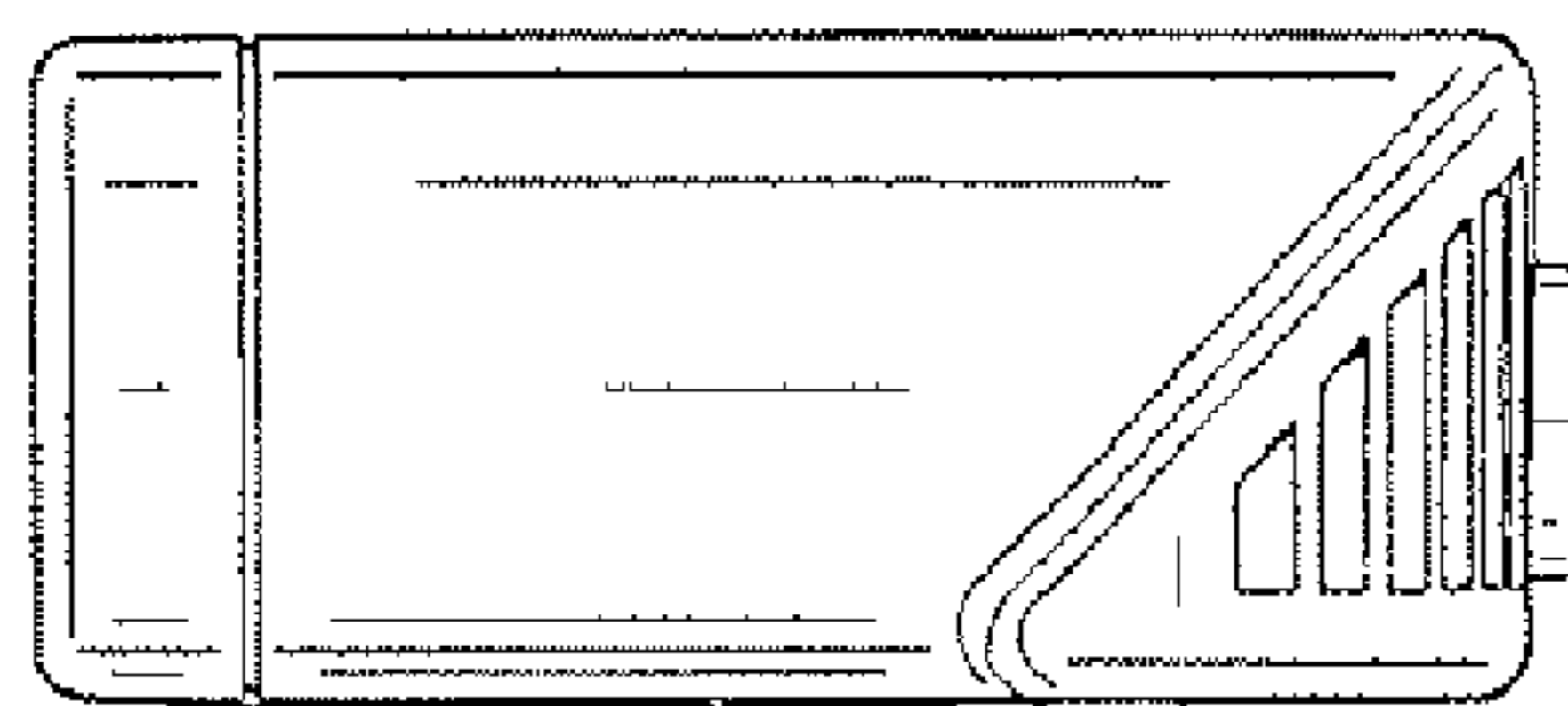


FIG. 6

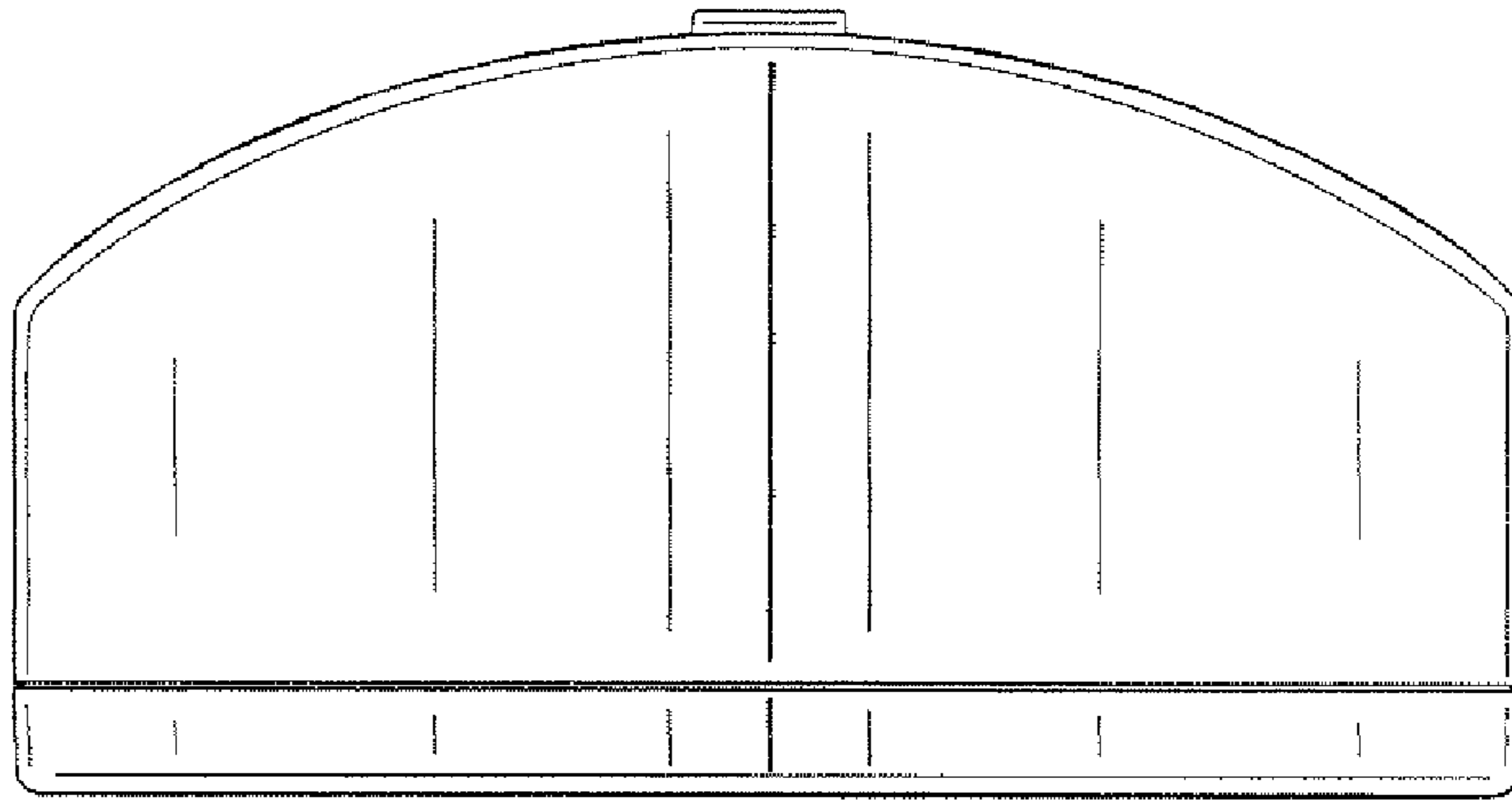


FIG. 7

