



US00D607880S

(12) **United States Design Patent**
Chung et al.

(10) **Patent No.:** **US D607,880 S**
(45) **Date of Patent:** **** Jan. 12, 2010**

(54) **EARPIECE**

(75) Inventors: **Koi Chin Chung**, Singapore (SG);
Wenshan Chen, Singapore (SG)

(73) Assignee: **Sony Ericsson Mobile**
Communications AB, Lund (SE)

(**) Term: **14 Years**

(21) Appl. No.: **29/337,121**

(22) Filed: **May 15, 2009**

(30) **Foreign Application Priority Data**

Nov. 19, 2008 (EM) 001042287-0003

(51) **LOC (9) Cl.** **14-01**

(52) **U.S. Cl.** **D14/223**

(58) **Field of Classification Search** D14/205,
D14/206, 223, 249; 181/129, 130, 135, 160;
379/430, 431, 433.01, 420.01-420.04; 381/380,
381/381, 360, 361, 374, 375; 455/575.1,
455/90.1, 90.2

See application file for complete search history.

(56) **References Cited**

U.S. PATENT DOCUMENTS

4,736,435 A * 4/1988 Yokoyama et al. 381/380
4,742,887 A * 5/1988 Yamagishi 181/129
4,965,838 A * 10/1990 Kamon et al. 381/380
D315,350 S * 3/1991 Ikeda D14/223
D331,061 S * 11/1992 Hyohgo D14/223
D331,062 S * 11/1992 Kanno D14/223
D337,118 S * 7/1993 Seikita D14/223
D337,119 S * 7/1993 Taniguchi D14/223
D337,589 S * 7/1993 Wada D14/223

D340,932 S * 11/1993 Yan D14/249
5,410,608 A * 4/1995 Lucey et al. 381/360
D369,349 S * 4/1996 Hayashi D14/223
D371,368 S * 7/1996 Hayashi D14/223
6,122,369 A * 9/2000 Hwang et al. 379/420.04
D474,171 S * 5/2003 Suzuki D14/206
D514,552 S * 2/2006 Lee et al. D14/223
D523,846 S * 6/2006 Lee D14/205
D531,169 S * 10/2006 Tokioka et al. D14/223
D554,109 S * 10/2007 Ledbetter et al. D14/223
D554,627 S * 11/2007 Gondo D14/223
D556,741 S * 12/2007 Yeo D14/223
D575,269 S * 8/2008 Ledbetter et al. D14/205
D578,517 S * 10/2008 Pausch D14/223
D593,537 S * 6/2009 Arimoto D14/205

* cited by examiner

Primary Examiner—Paula Greene

(74) *Attorney, Agent, or Firm*—Renner, Otto, Boisselle &
Sklar, LLP

(57) **CLAIM**

The ornamental design for an earpiece, as shown and
described.

DESCRIPTION

FIG. 1 is a perspective view of an earpiece showing our
design;

FIG. 2 is a front view thereof;

FIG. 3 is a rear view thereof;

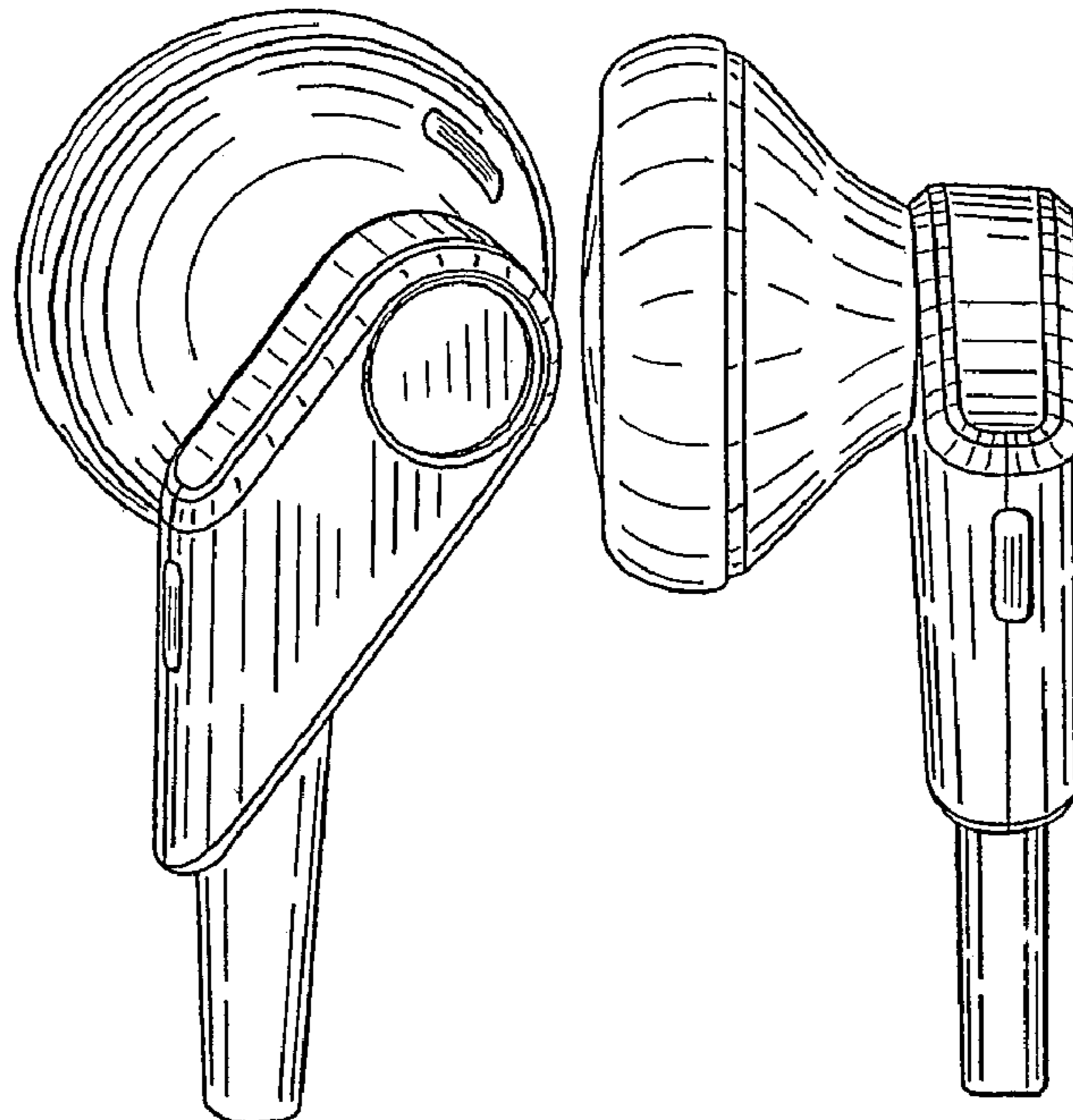
FIG. 4 is a right side view thereof;

FIG. 5 is a left side view thereof;

FIG. 6 is a top view thereof; and,

FIG. 7 is a bottom view thereof.

1 Claim, 3 Drawing Sheets



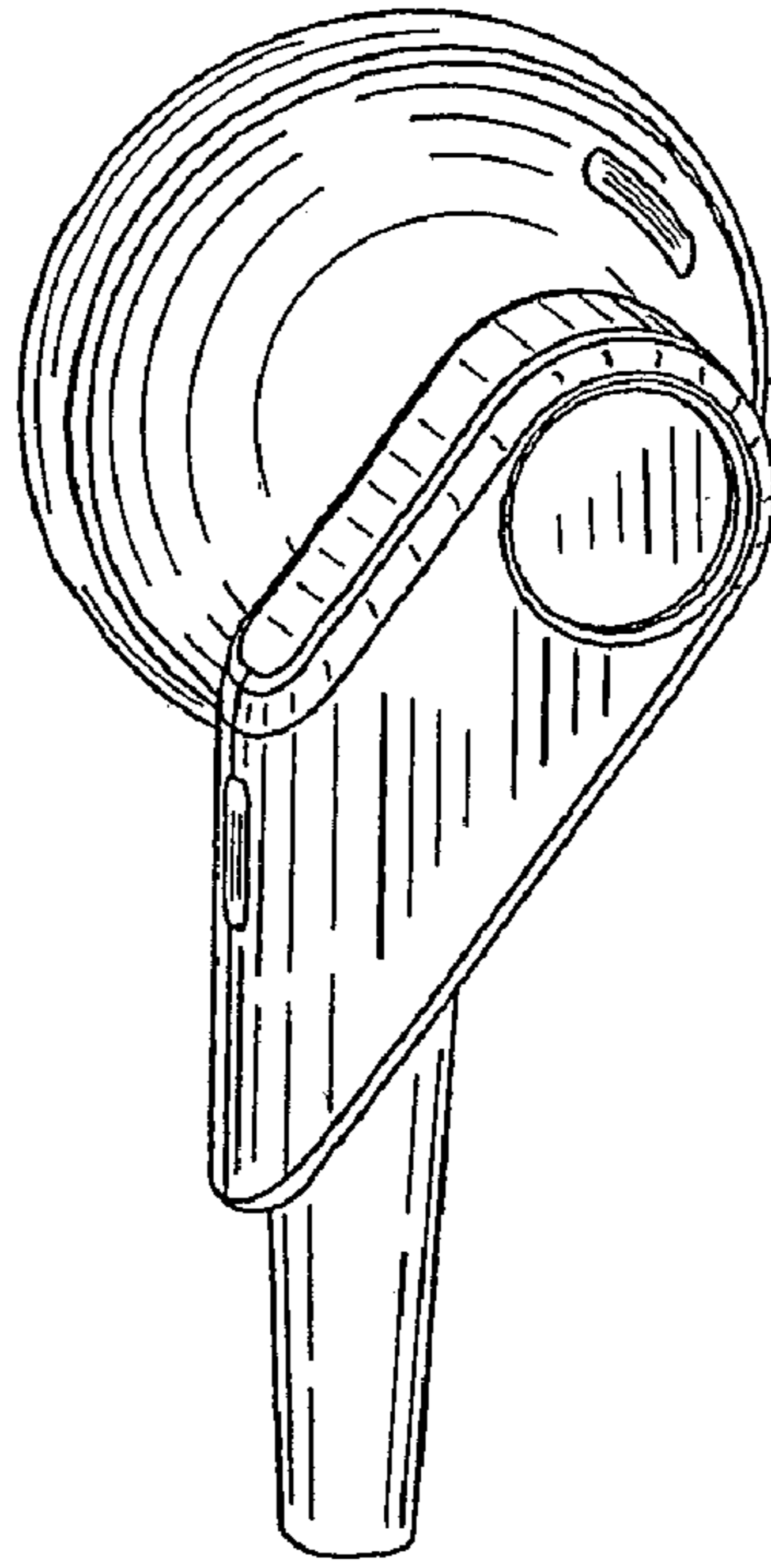


FIG. 1

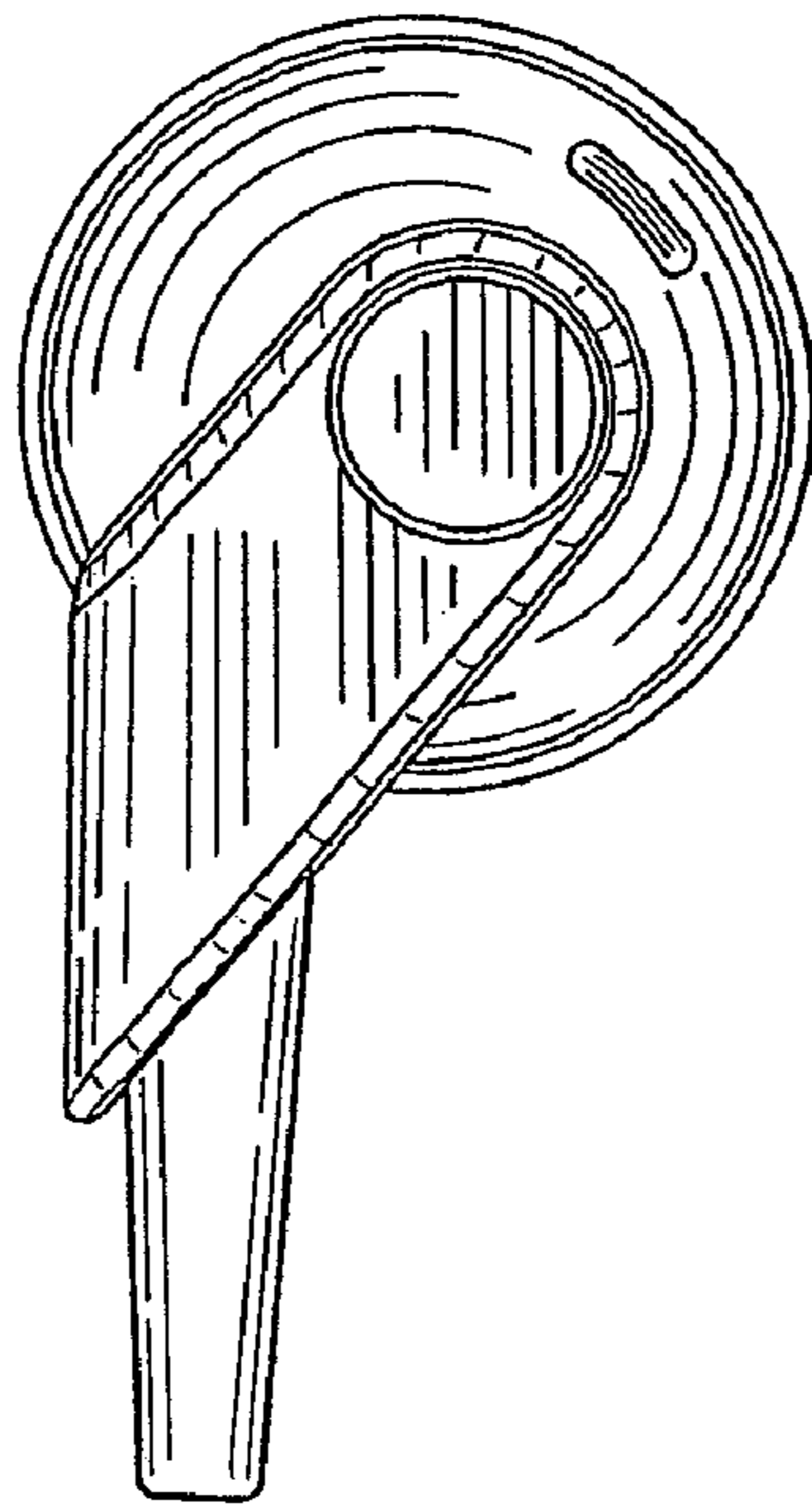


FIG. 2

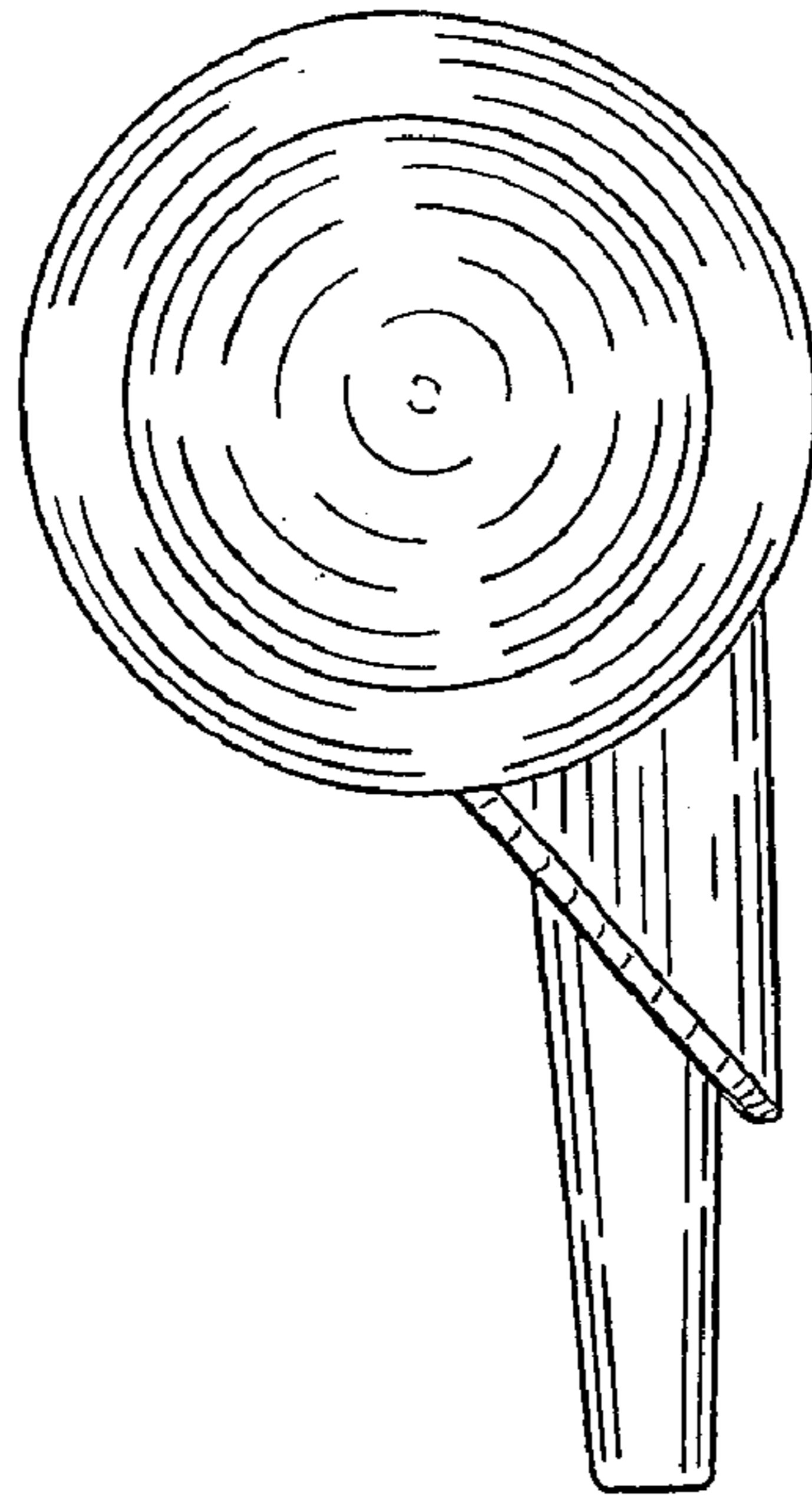


FIG. 3

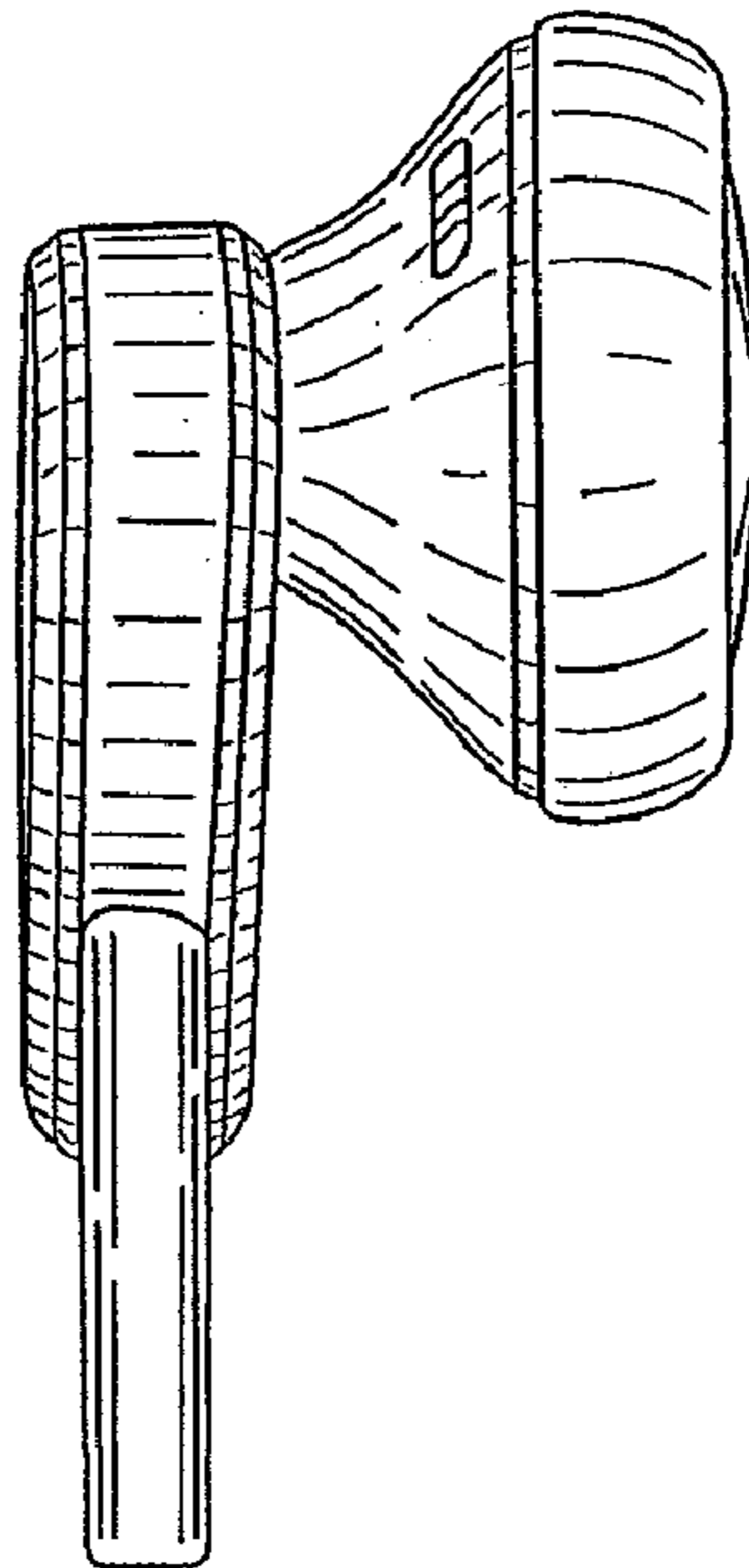


FIG. 4

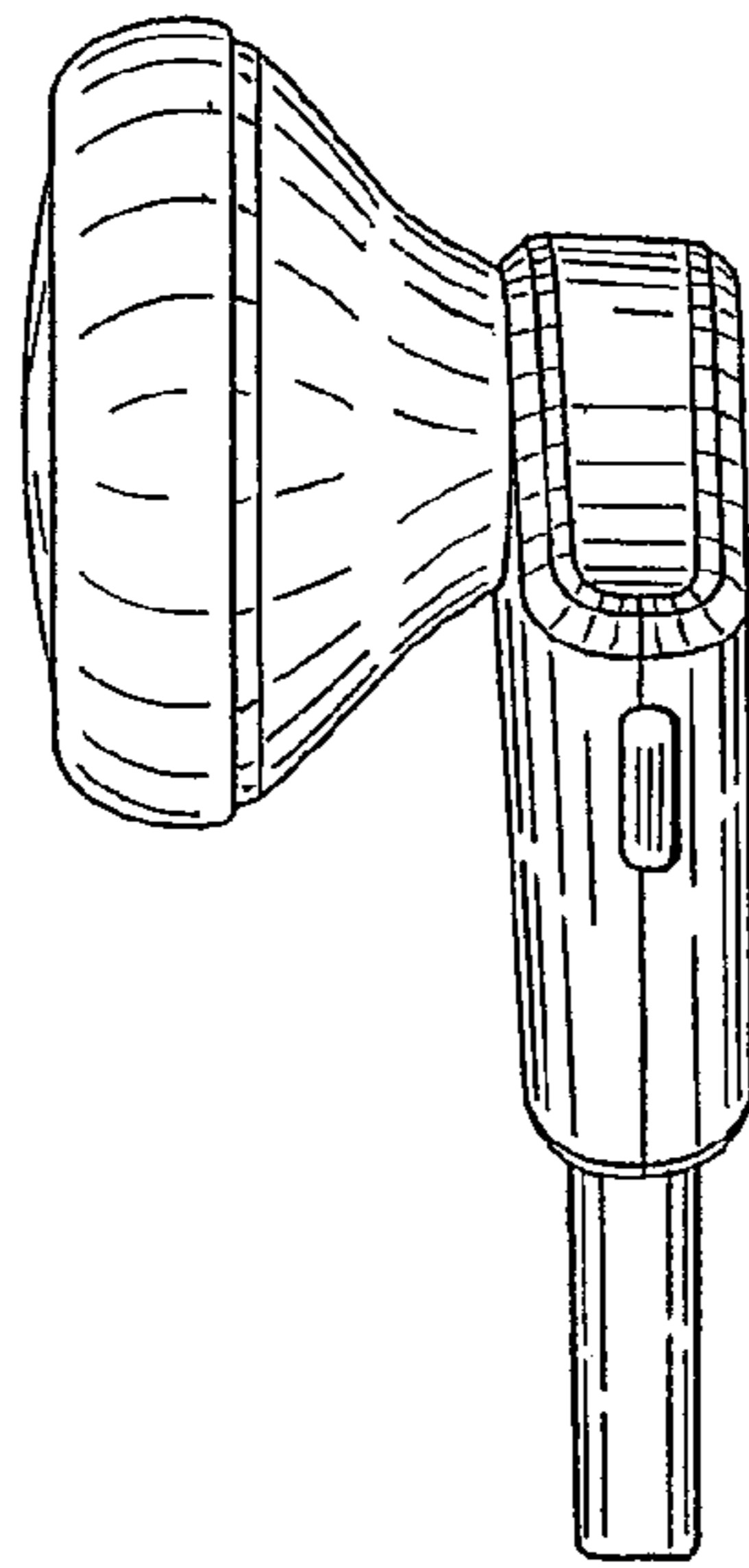


FIG. 5

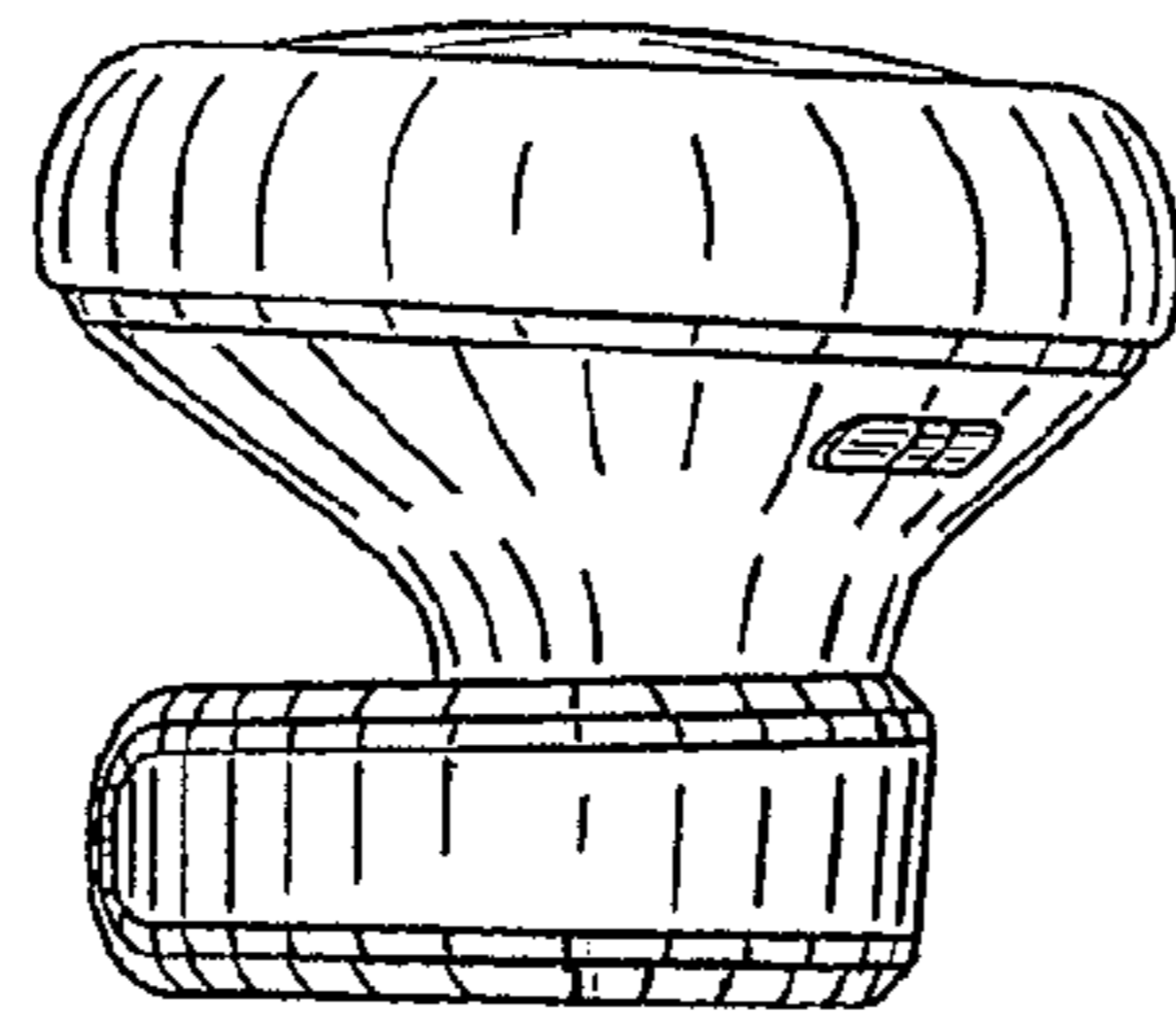


FIG. 6

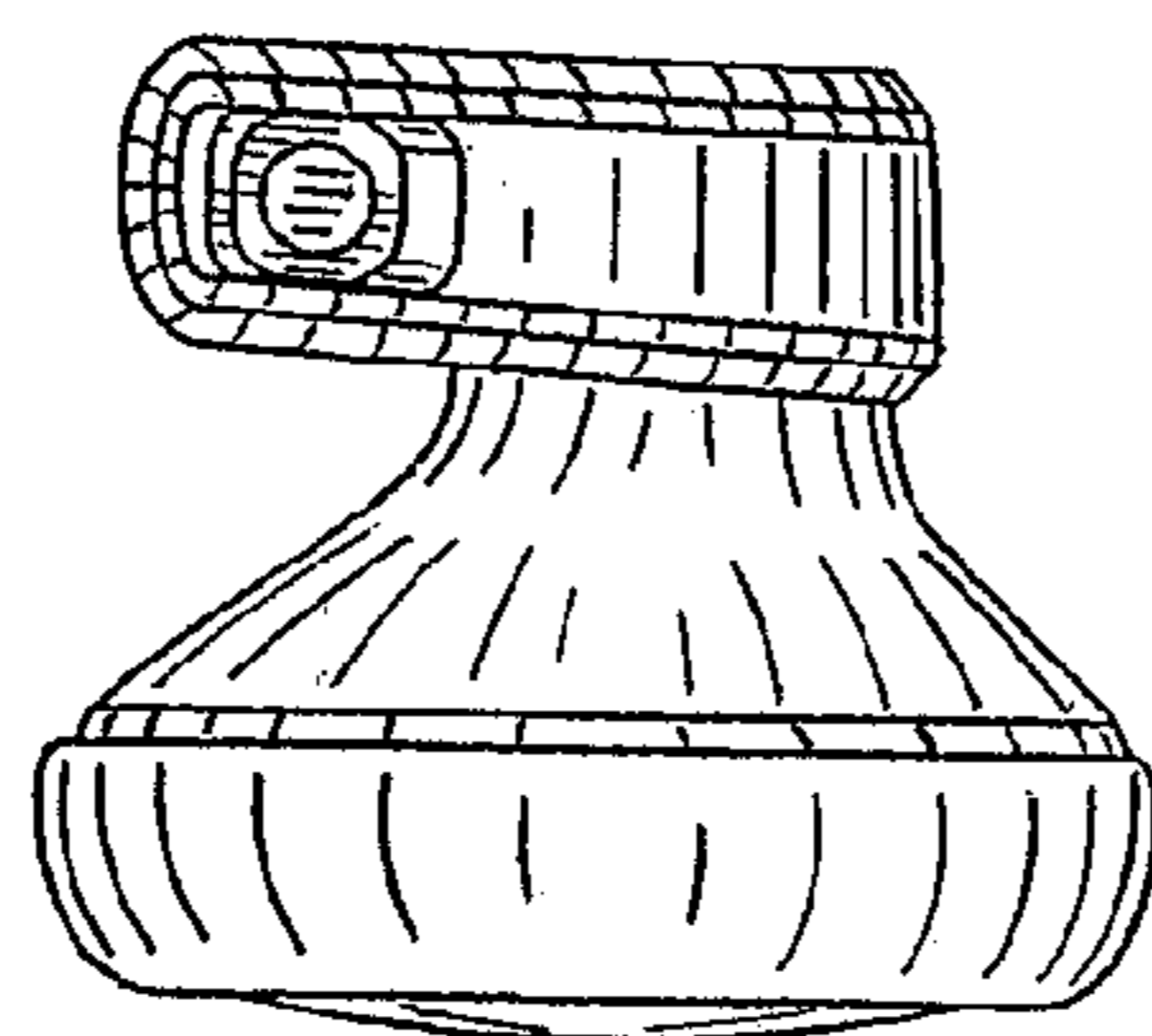


FIG. 7