



US00D607879S

(12) **United States Design Patent**  
**Ferber et al.**

(10) **Patent No.:** **US D607,879 S**  
(45) **Date of Patent:** **\*\* Jan. 12, 2010**

(54) **DOCKING STATION**

(75) Inventors: **Roman S. Ferber**, West Bloomfield, MI (US); **Elizabeth Harrison Meyer**, Chicago, IL (US); **Ariel Katz**, Herzeliya (IL); **Francois Dominique Claude Laine**, San Francisco, CA (US); **Angelo Luis Leme Santiago**, San Francisco, CA (US); **Peter Michaelian**, Tapplan, NY (US)

(73) Assignee: **Powermat USA, LLC**, Commerce Township, MI (US)

(\*\*) Term: **14 Years**

(21) Appl. No.: **29/330,350**

(22) Filed: **Jan. 6, 2009**

(51) **LOC (9) Cl.** ..... **14-03**

(52) **U.S. Cl.** ..... **D14/217; D13/108**

(58) **Field of Classification Search** ..... D14/142, D14/149, 155, 157, 188, 191-193, 230.1-203.8, D14/217, 251, 253, 432-435.1, 447, 451, D14/496; D13/107, 108, 118; 455/556.1-556.2, 455/557; 248/221.11, 309.1; 320/107, 110, 320/113-115; 361/600; 439/529, 534  
See application file for complete search history.

(56) **References Cited**

**U.S. PATENT DOCUMENTS**

D510,091 S \* 9/2005 Mori et al. .... D14/434

D551,214 S \* 9/2007 Hussaini et al. .... D14/217  
D554,107 S \* 10/2007 Calco et al. .... D14/217  
D554,622 S \* 11/2007 Joseph ..... D14/217  
D561,182 S \* 2/2008 Jenkins et al. .... D14/253  
D579,917 S \* 11/2008 Marchand et al. .... D14/217  
D584,731 S \* 1/2009 Montgomery et al. .... D14/434

\* cited by examiner

*Primary Examiner*—Stella M Reid

*Assistant Examiner*—Keli L Hill

(74) *Attorney, Agent, or Firm*—Brooks Kushman P.C.

(57) **CLAIM**

The ornamental design for a docking station, as shown and described.

**DESCRIPTION**

FIG. 1 is a perspective view of a docking station incorporating our new design;

FIG. 2 is a front elevational view thereof;

FIG. 3 is a rear elevational view thereof;

FIG. 4 is a left side elevational view thereof;

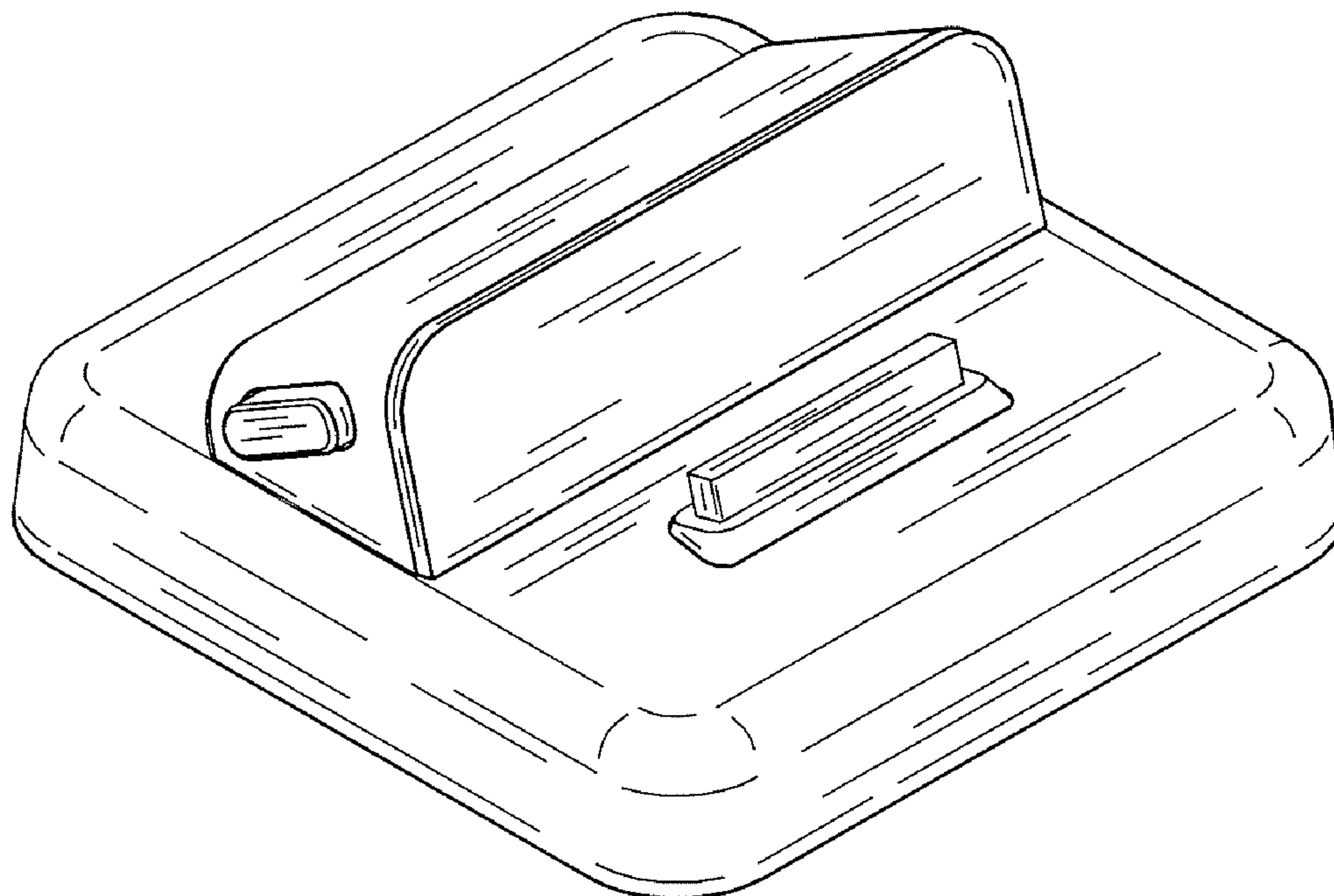
FIG. 5 is a right side elevational view thereof;

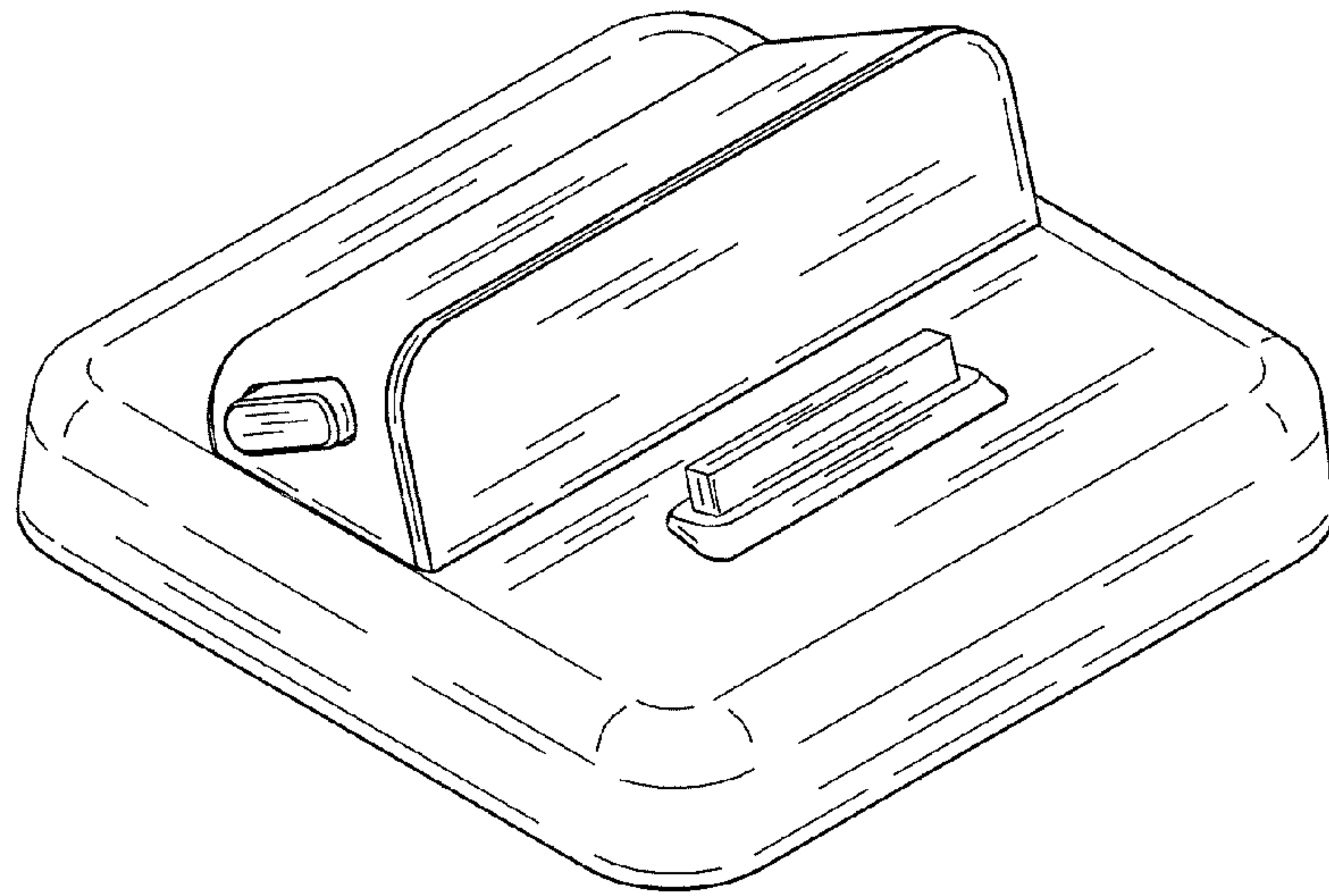
FIG. 6 is a top plan view thereof; and,

FIG. 7 is a bottom plan view thereof.

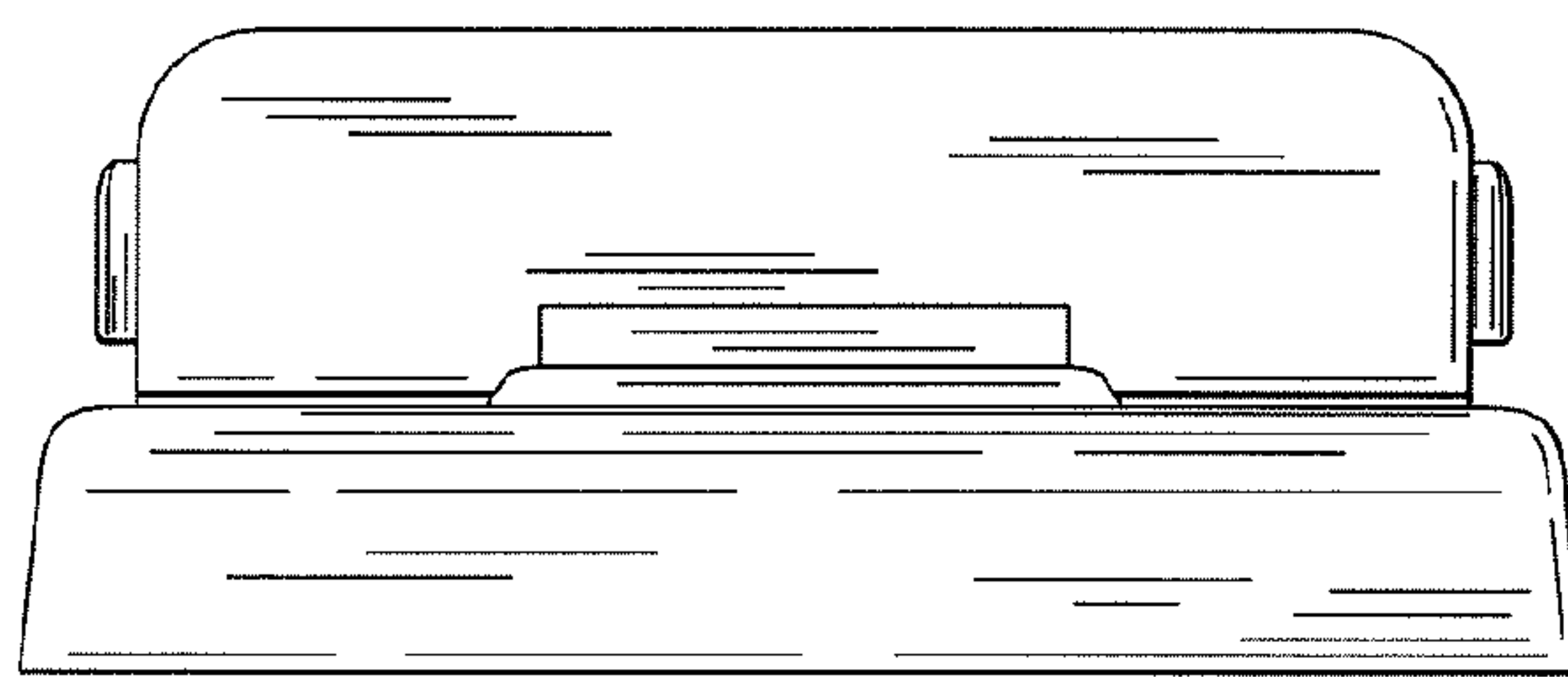
The ornamental design which is claimed is shown in solid lines in the drawings. Any broken lines in the drawings are for illustrative purposes only and form no part of the claimed design.

**1 Claim, 2 Drawing Sheets**

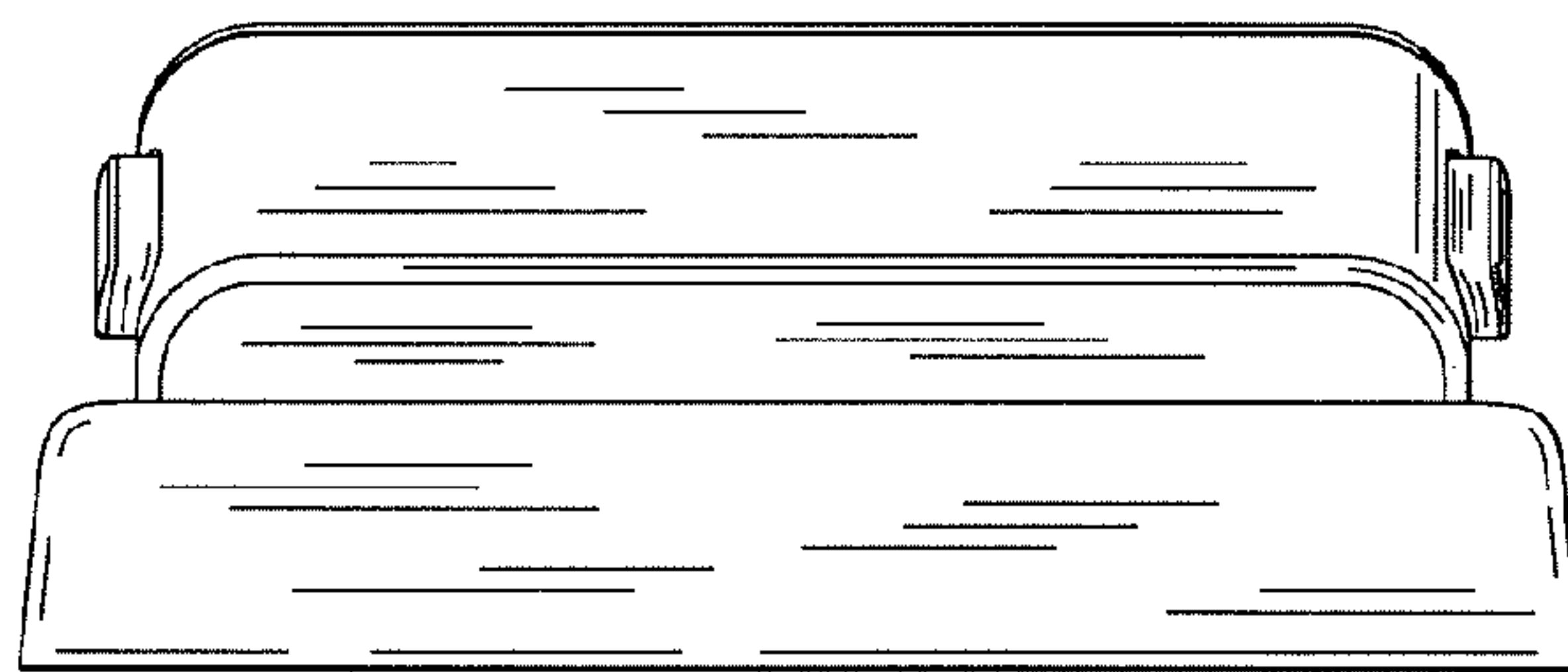




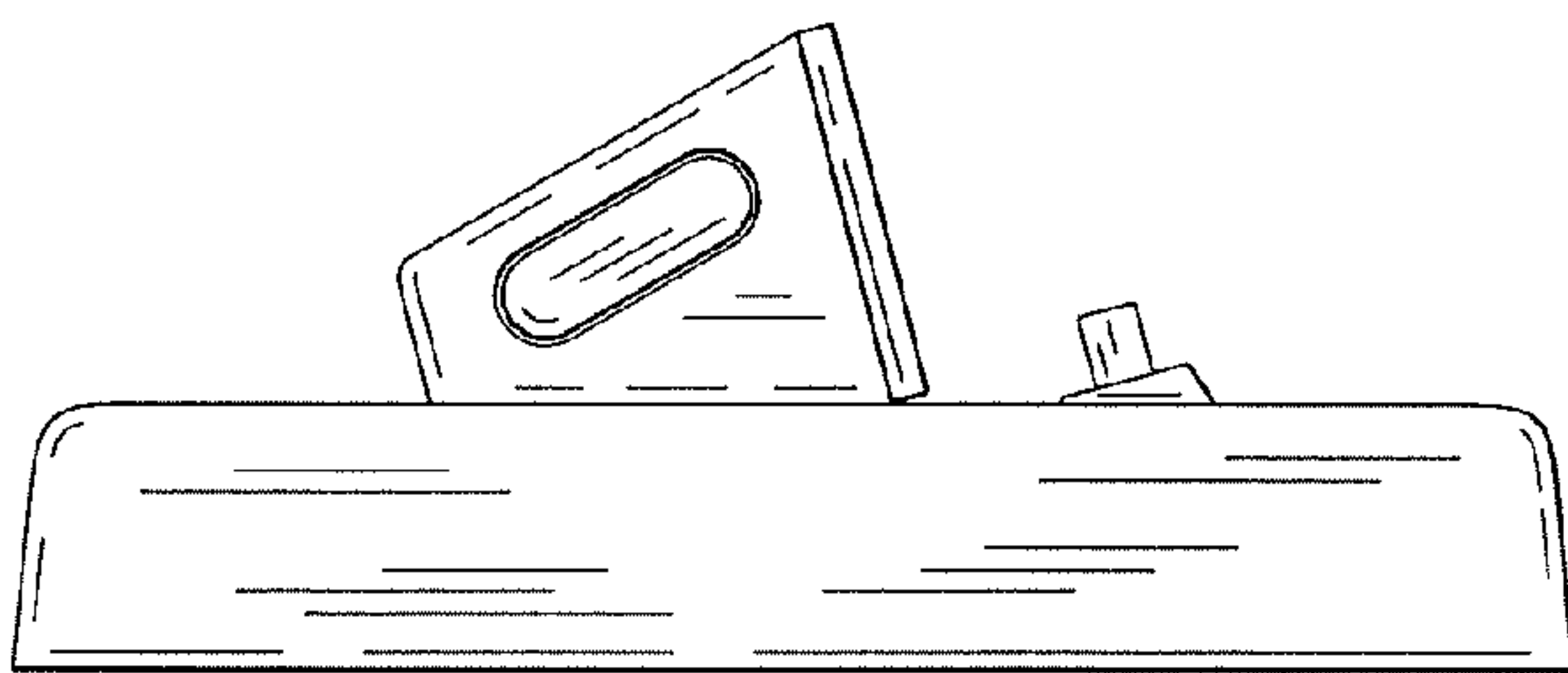
**FIG. 1**



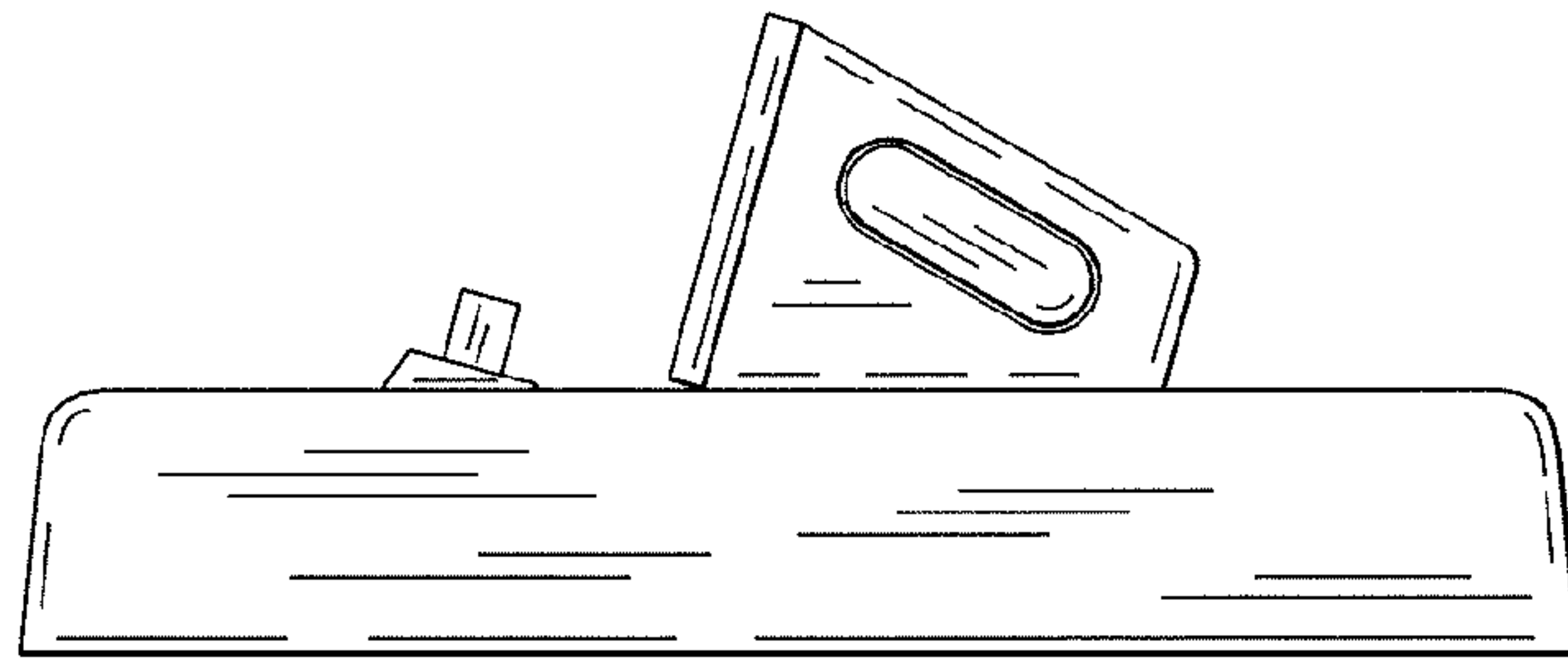
**FIG. 2**



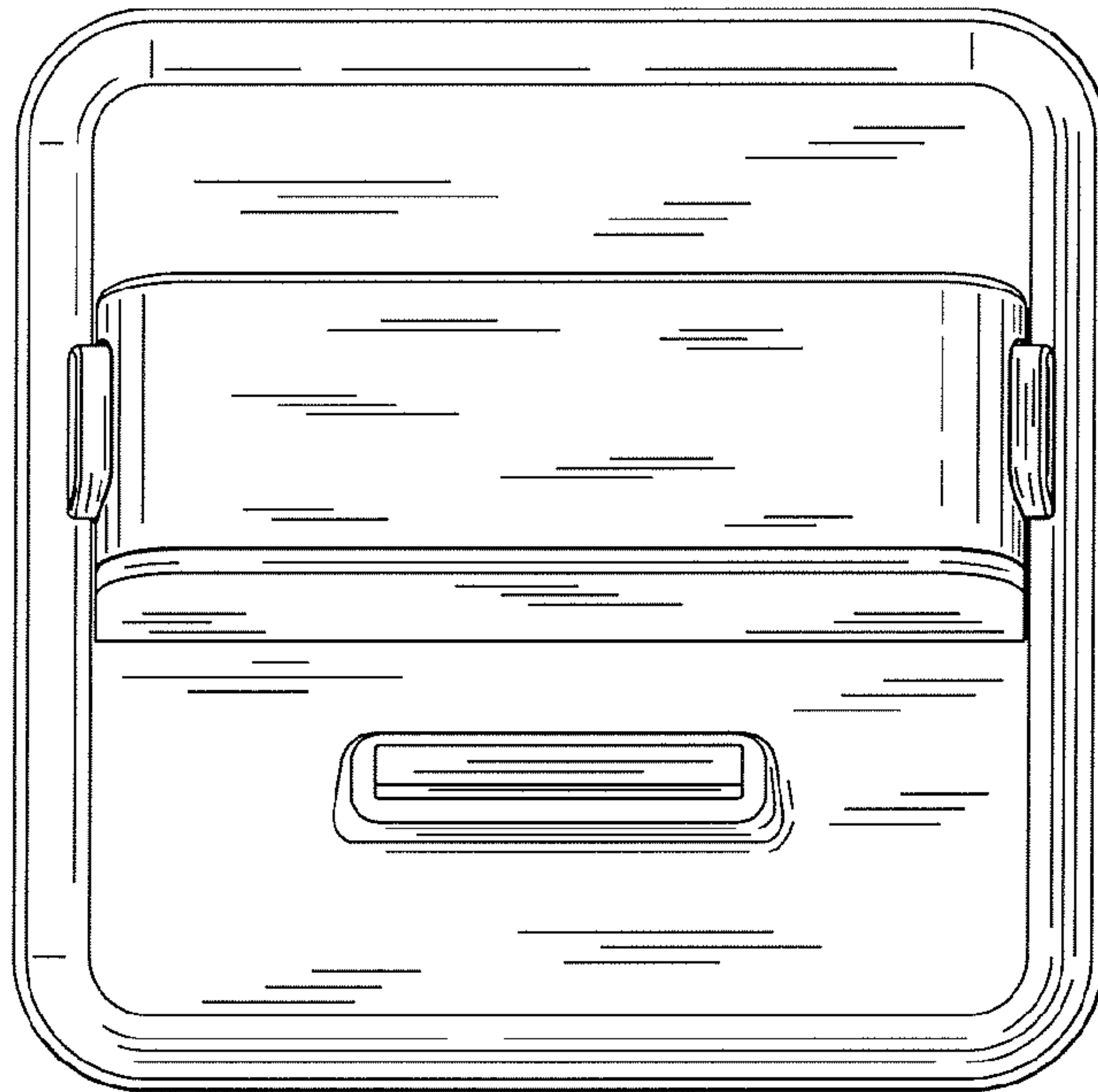
**FIG. 3**



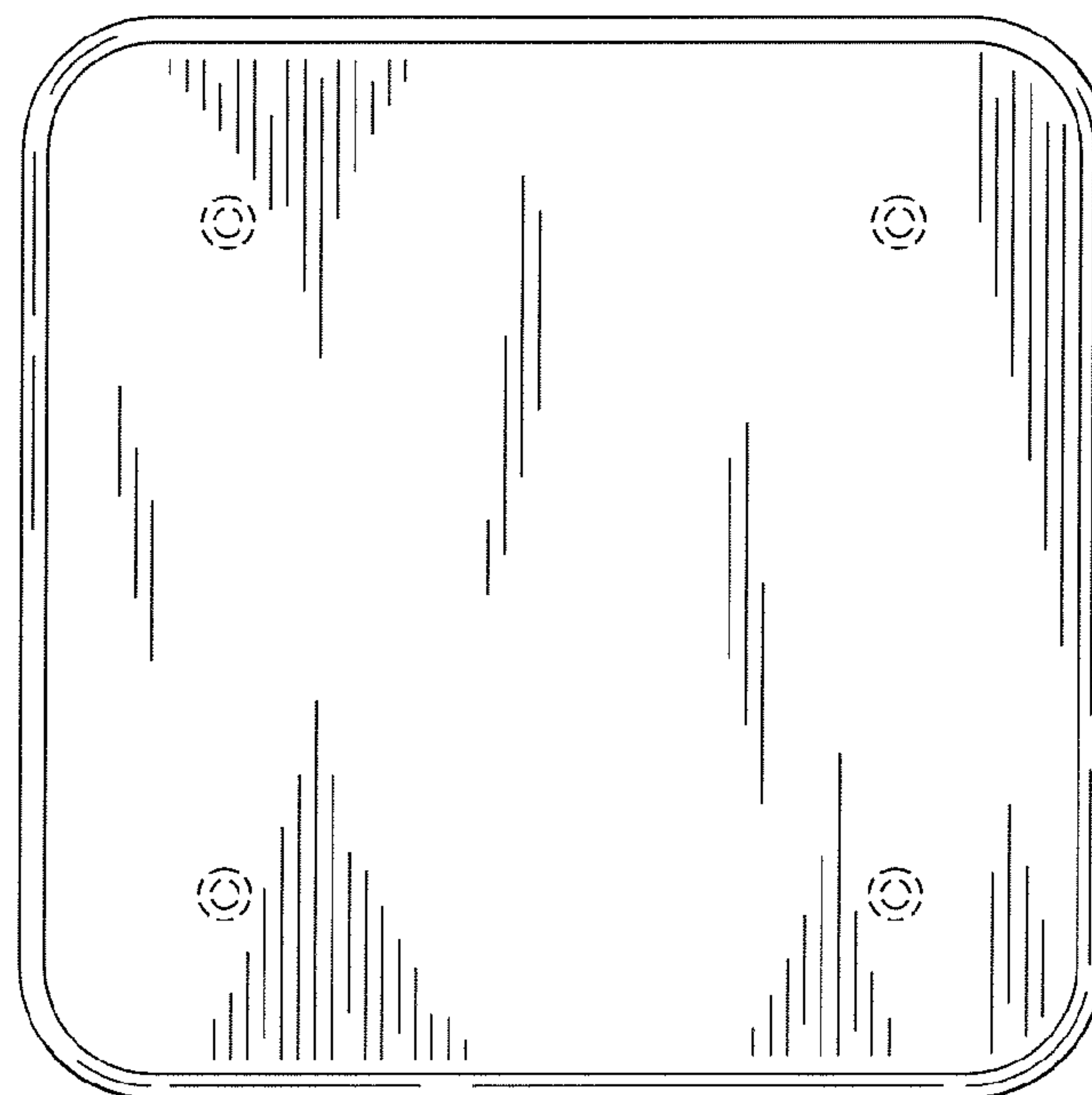
**FIG. 4**



**FIG. 5**



**FIG. 6**



**FIG. 7**