



US00D607878S

(12) **United States Design Patent**
Murray

(10) **Patent No.:** **US D607,878 S**
(45) **Date of Patent:** **** Jan. 12, 2010**

(54) **PORTABLE SPEAKER**

(75) Inventor: **Joshua Murray, Lund (SE)**

(73) Assignee: **Sony Ericsson Mobile Communications AB, Lund (SE)**

(**) Term: **14 Years**

(21) Appl. No.: **29/342,467**

(22) Filed: **Aug. 25, 2009**

Related U.S. Application Data

(62) Division of application No. 29/329,669, filed on Dec. 18, 2008.

(30) **Foreign Application Priority Data**

Jun. 19, 2008 (EM) 000955125-0001
Jun. 19, 2008 (EM) 000955125-0002
Jun. 19, 2008 (EM) 000955125-0003

(51) **LOC (9) Cl.** **14-01**

(52) **U.S. Cl.** **D14/216**

(58) **Field of Classification Search** D14/204,
D14/210–216, 172; 181/143–144, 147–148,
181/150–153, 157, 198–199; 381/300–303,
381/306, 332–333, 336, 345, 361–364, 386–388
See application file for complete search history.

(56) **References Cited**

U.S. PATENT DOCUMENTS

5,191,177 A * 3/1993 Chi 181/153
D484,492 S * 12/2003 Welker et al. D14/216
D501,845 S * 2/2005 Allen D14/216

D518,029 S * 3/2006 Tsang D14/216
D542,279 S * 5/2007 Chan D14/216
D553,121 S * 10/2007 Gondo et al. D14/216

* cited by examiner

Primary Examiner—Nanda Bondade

(74) *Attorney, Agent, or Firm*—Young & Thompson

(57) **CLAIM**

The ornamental design for a portable speaker, as shown and described.

DESCRIPTION

FIG. 1 is a front perspective view of a portable speaker showing my new design;

FIG. 2 is top plan view thereof;

FIG. 3 is a bottom plan view thereof;

FIG. 4 is a right side elevational view thereof;

FIG. 5 is a rear elevational view thereof;

FIG. 6 is a front elevational view thereof;

FIG. 7 is a left side view thereof;

FIG. 8 is a bottom perspective view thereof in an alternate position;

FIG. 9 is a rear elevational view of FIG. 8;

FIG. 10 is a front elevational view of FIG. 8;

FIG. 11 is a bottom plan view thereof;

FIG. 12 is a left side elevational view thereof;

FIG. 13 is a right side elevational view thereof; and,

FIG. 14 is a top plan view thereof.

1 Claim, 2 Drawing Sheets

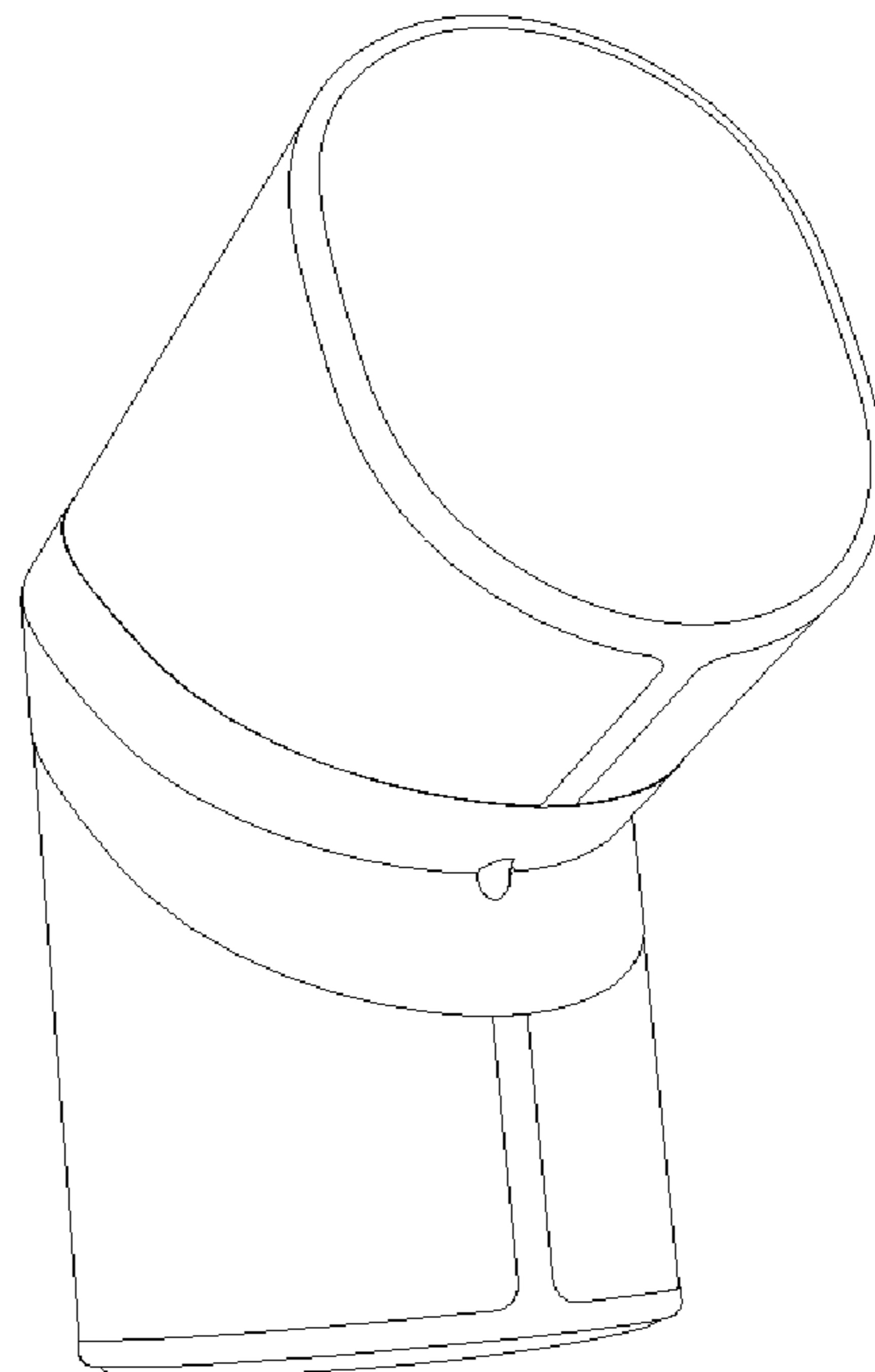
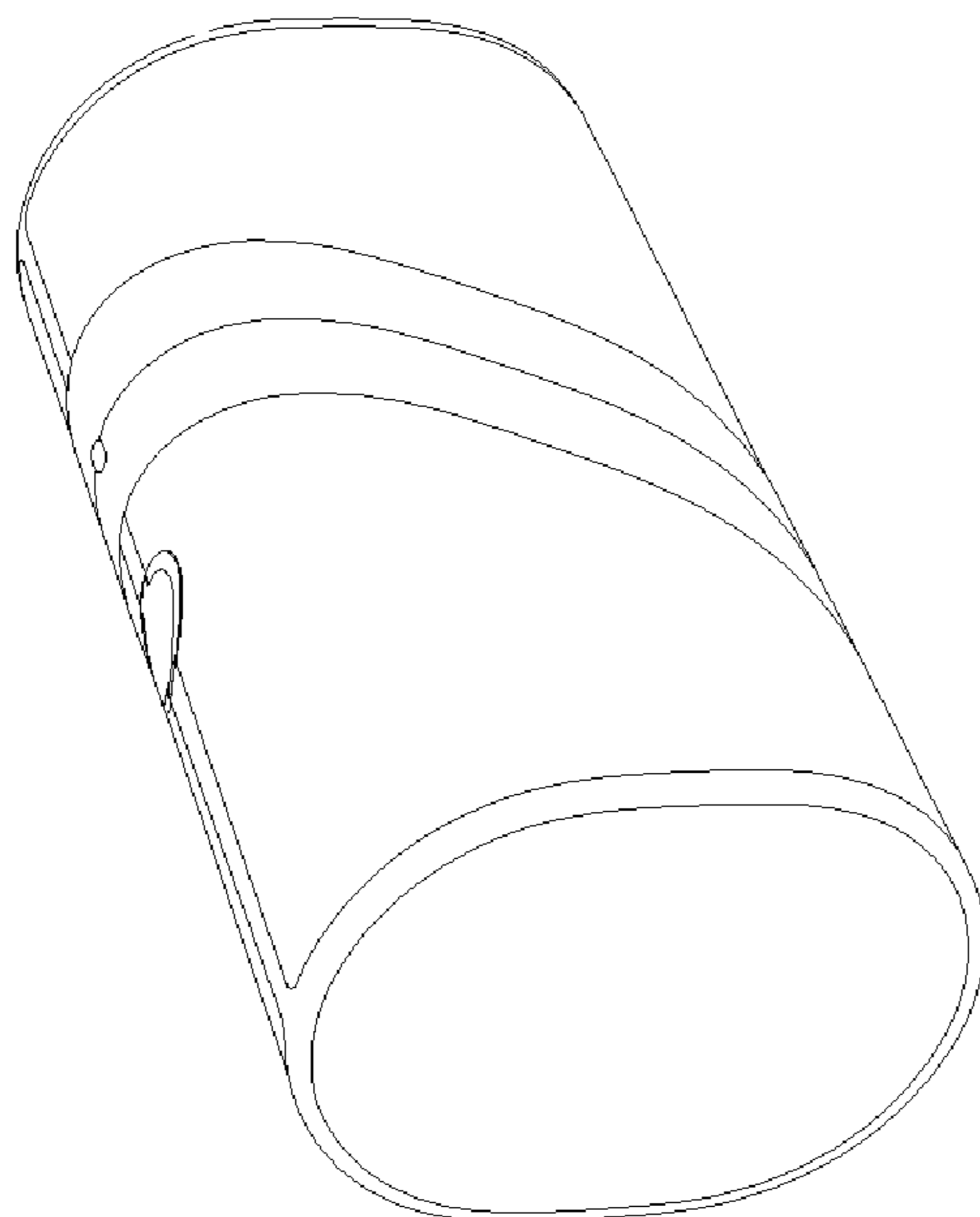


FIGURE 6

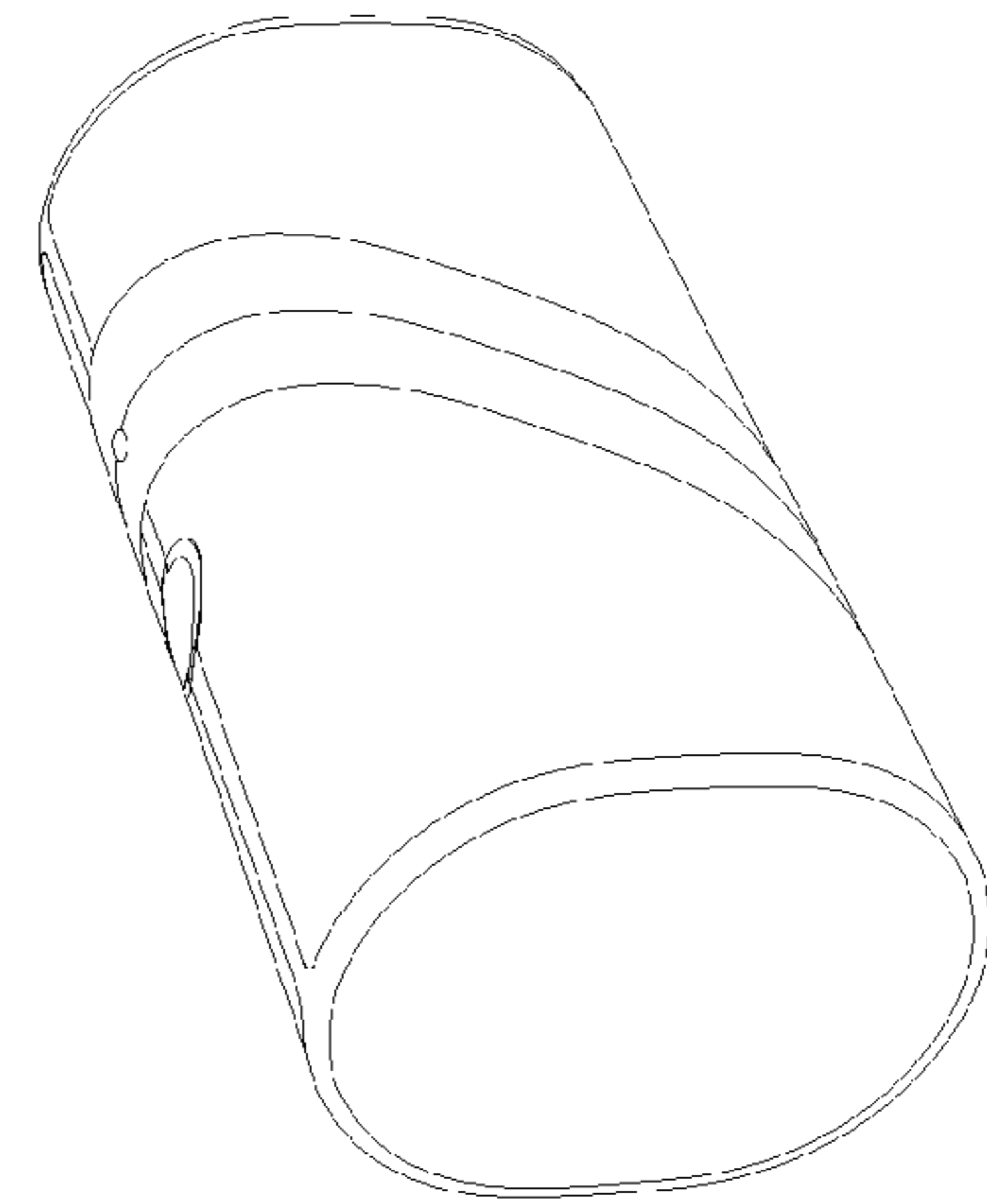
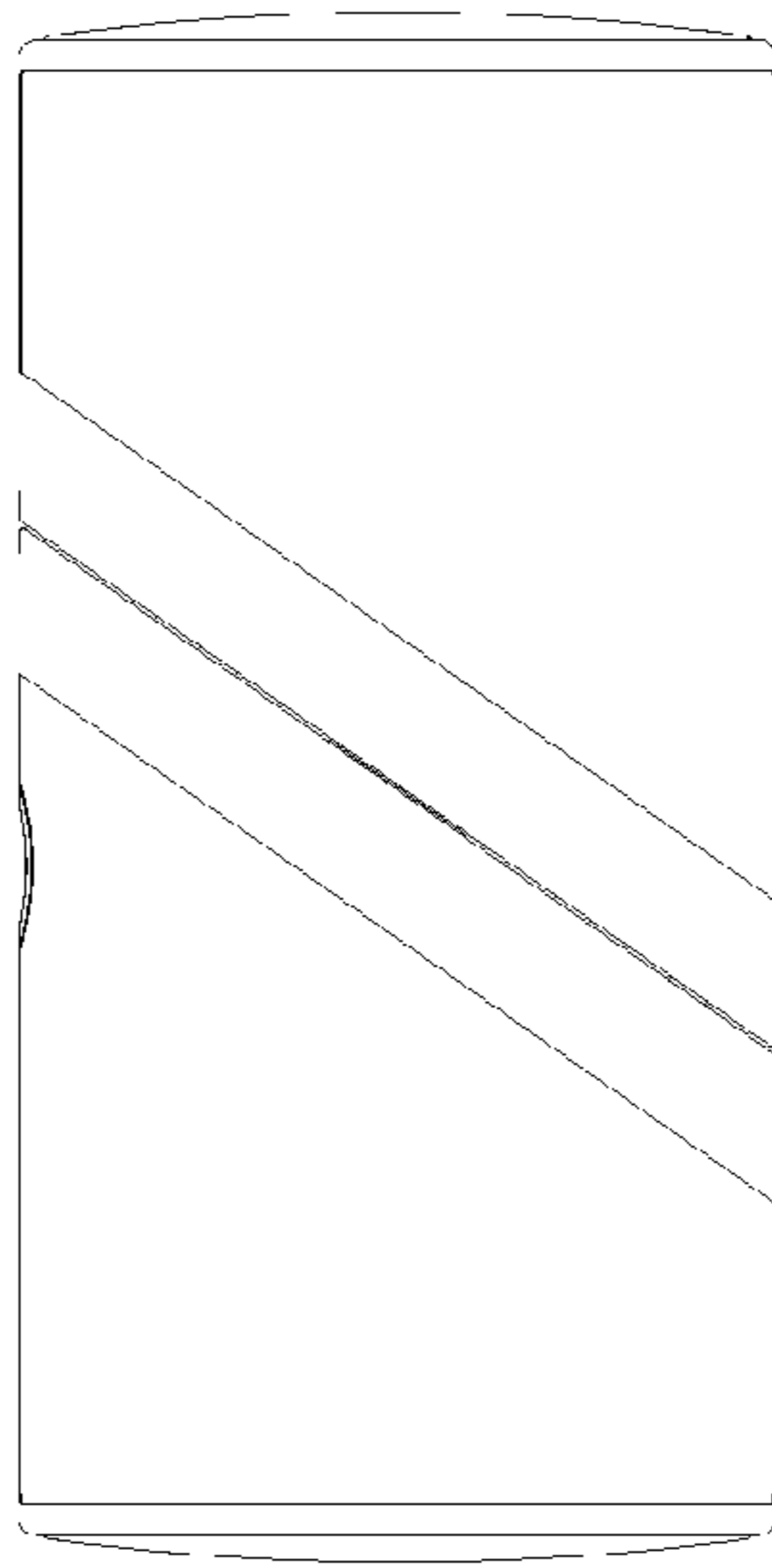


FIGURE 1

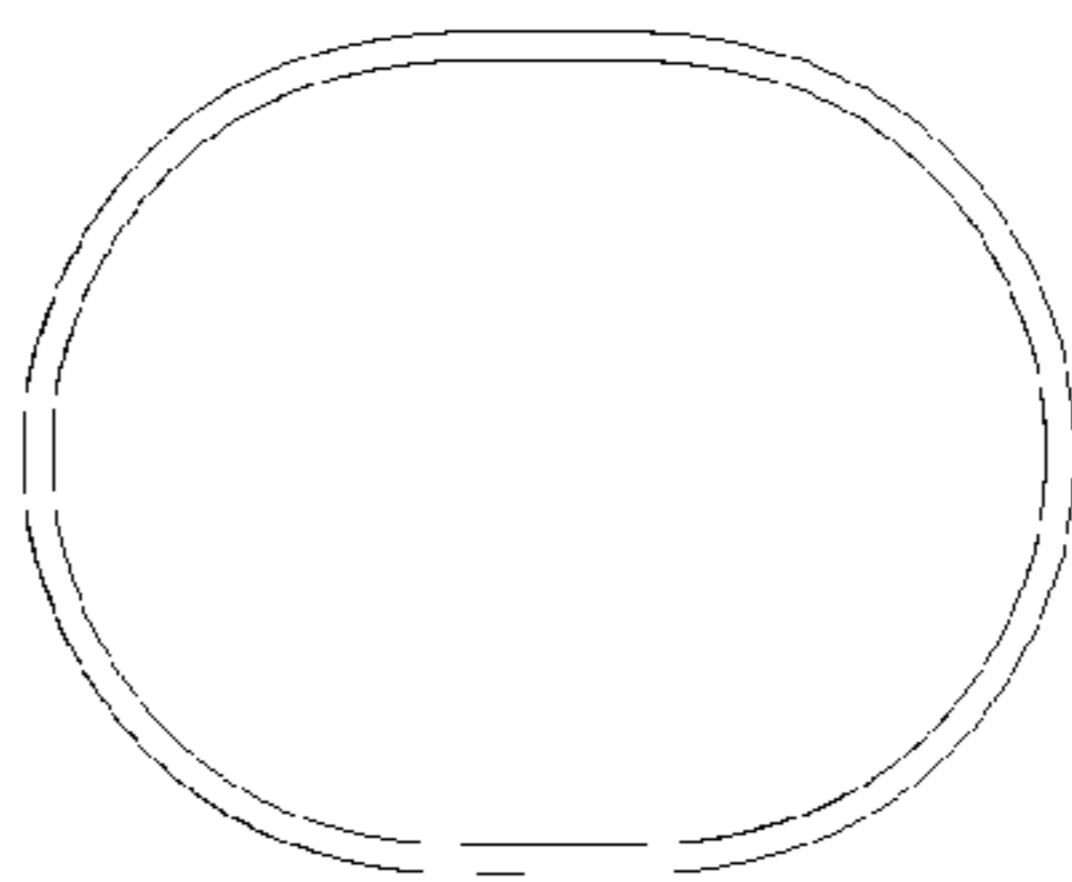


FIGURE 4

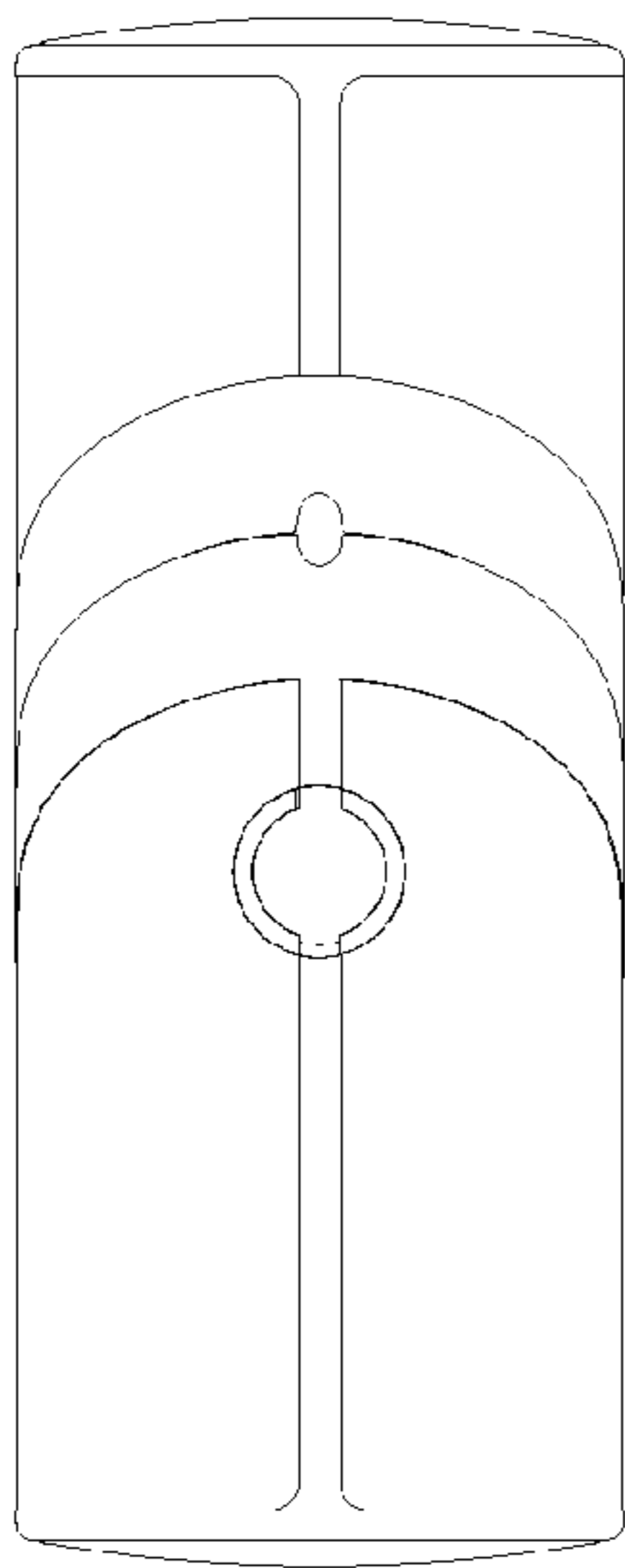


FIGURE 2

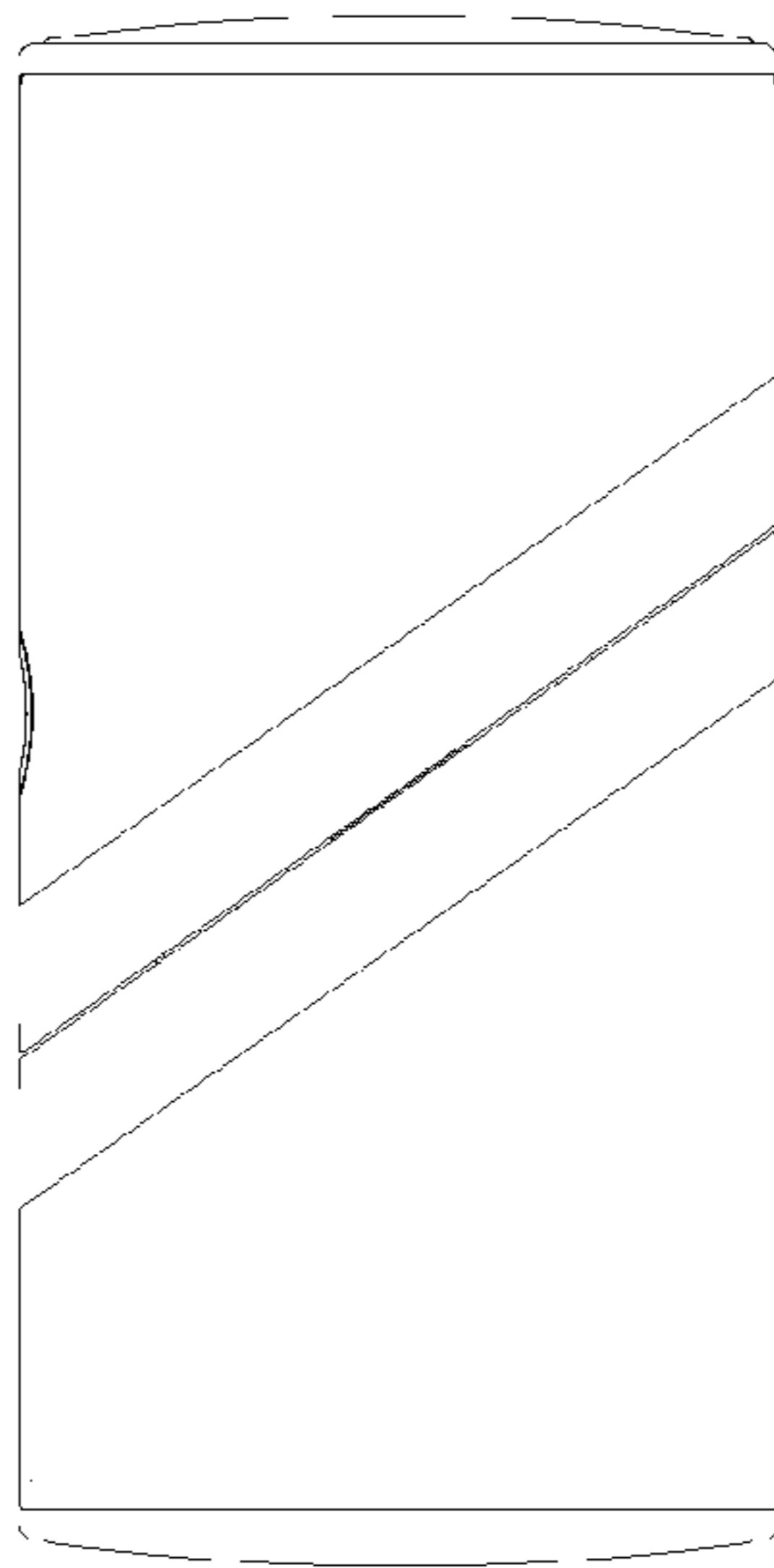


FIGURE 5

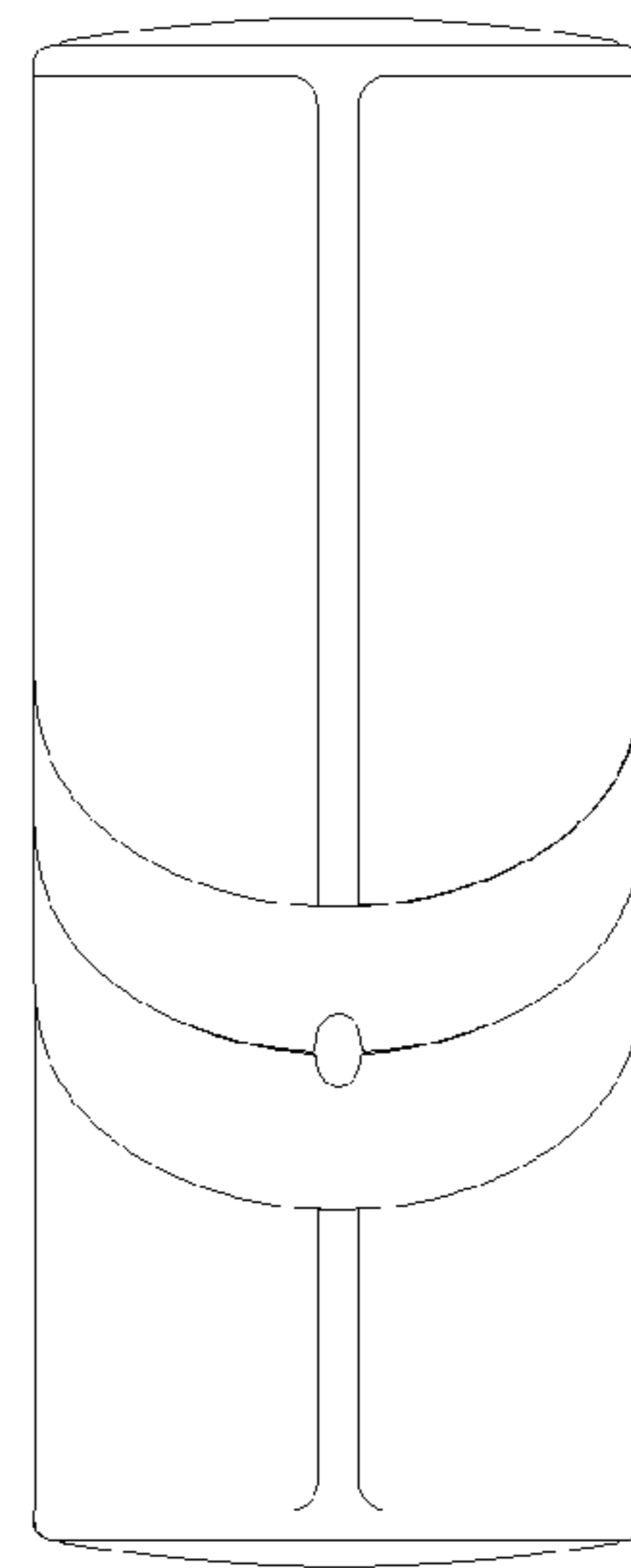


FIGURE 3

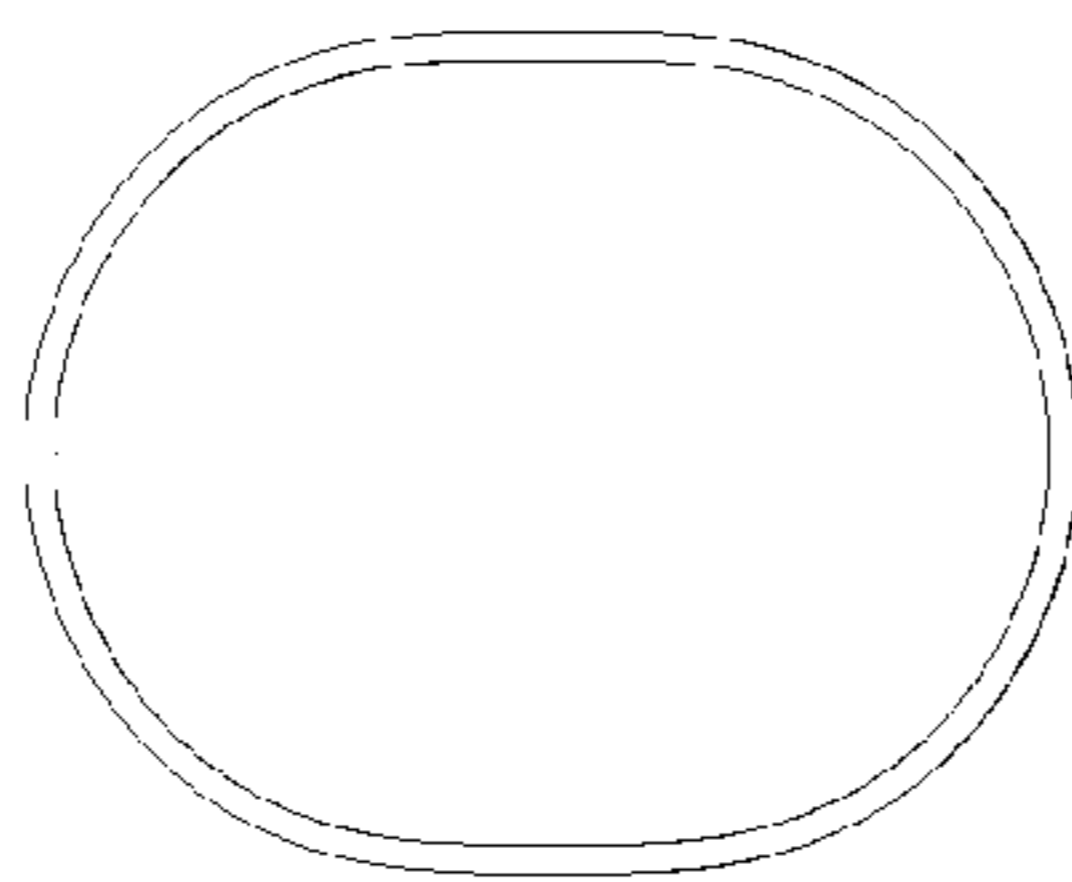


FIGURE 7

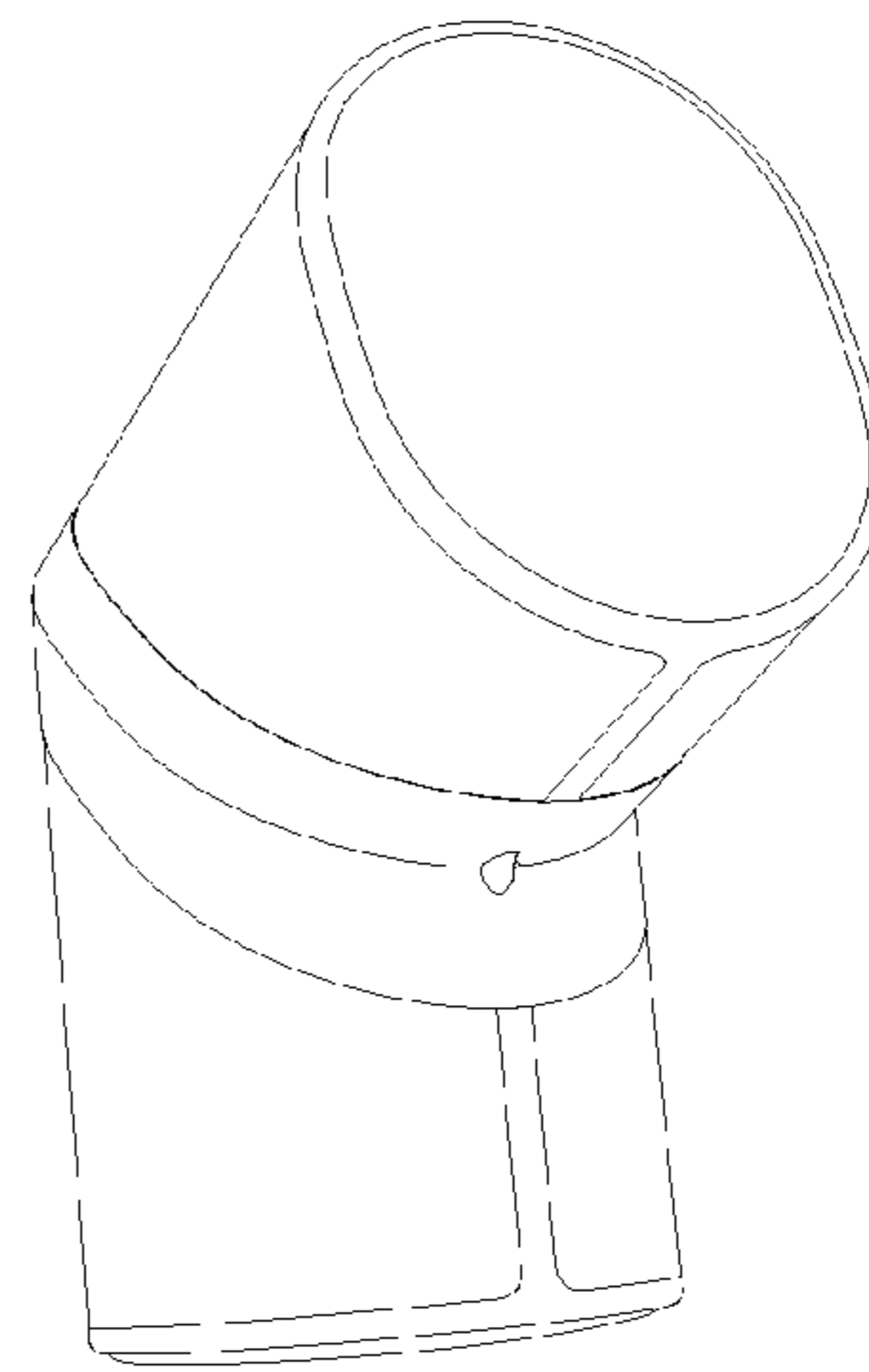


FIGURE 8

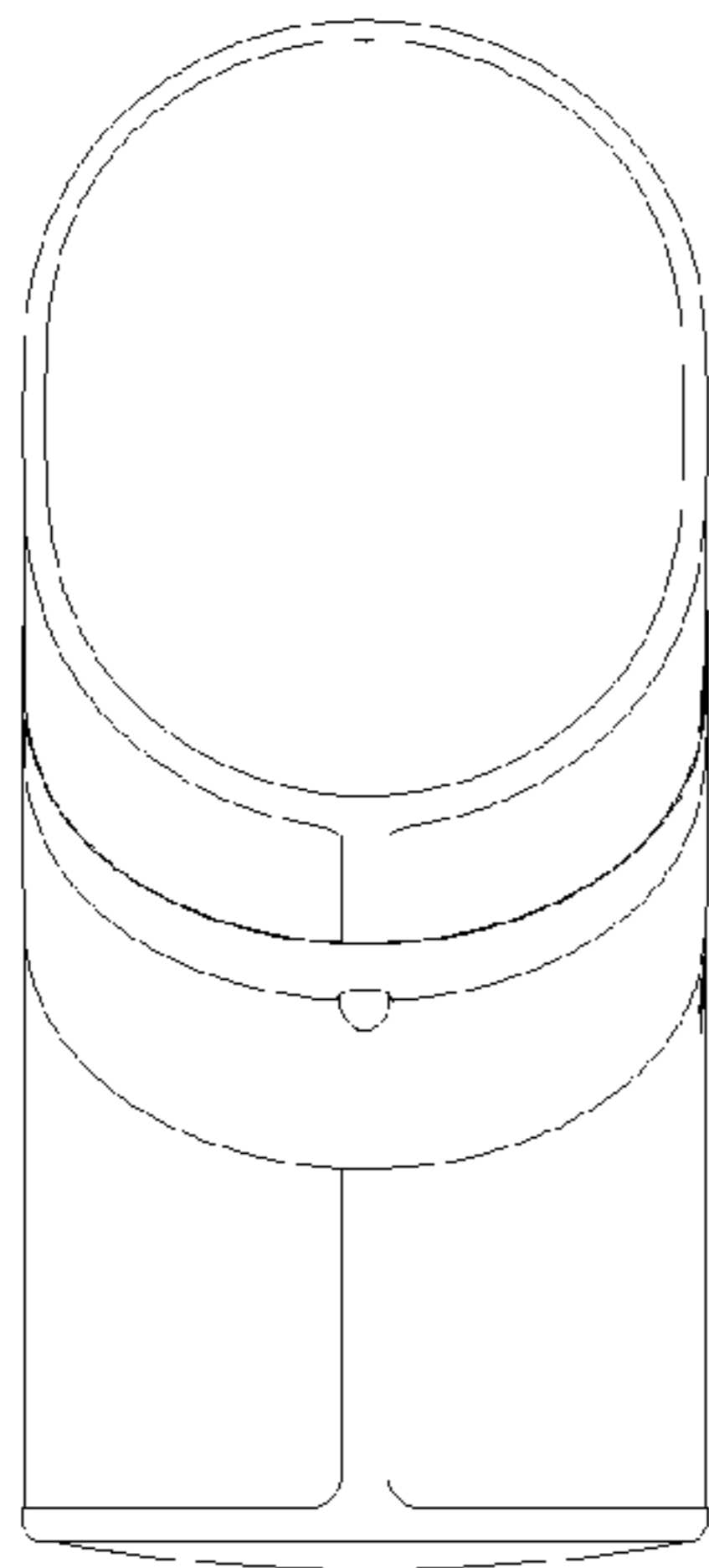


FIGURE 13

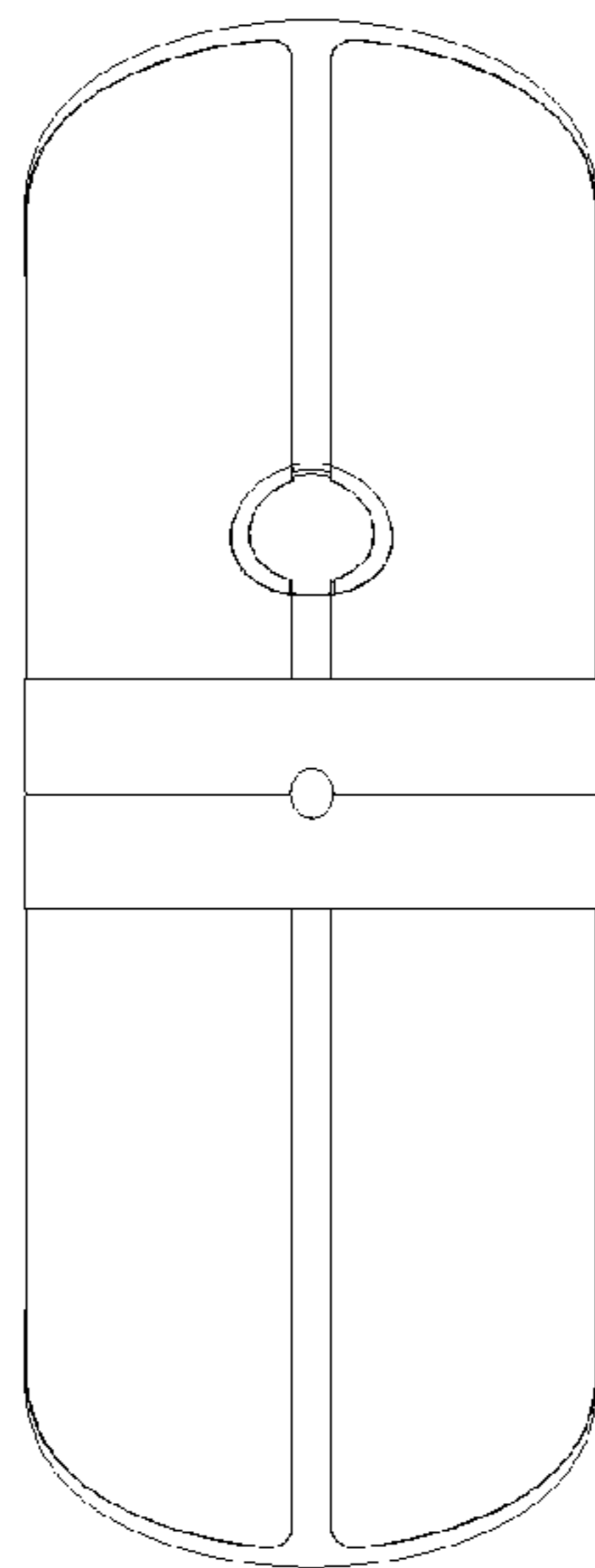


FIGURE 14

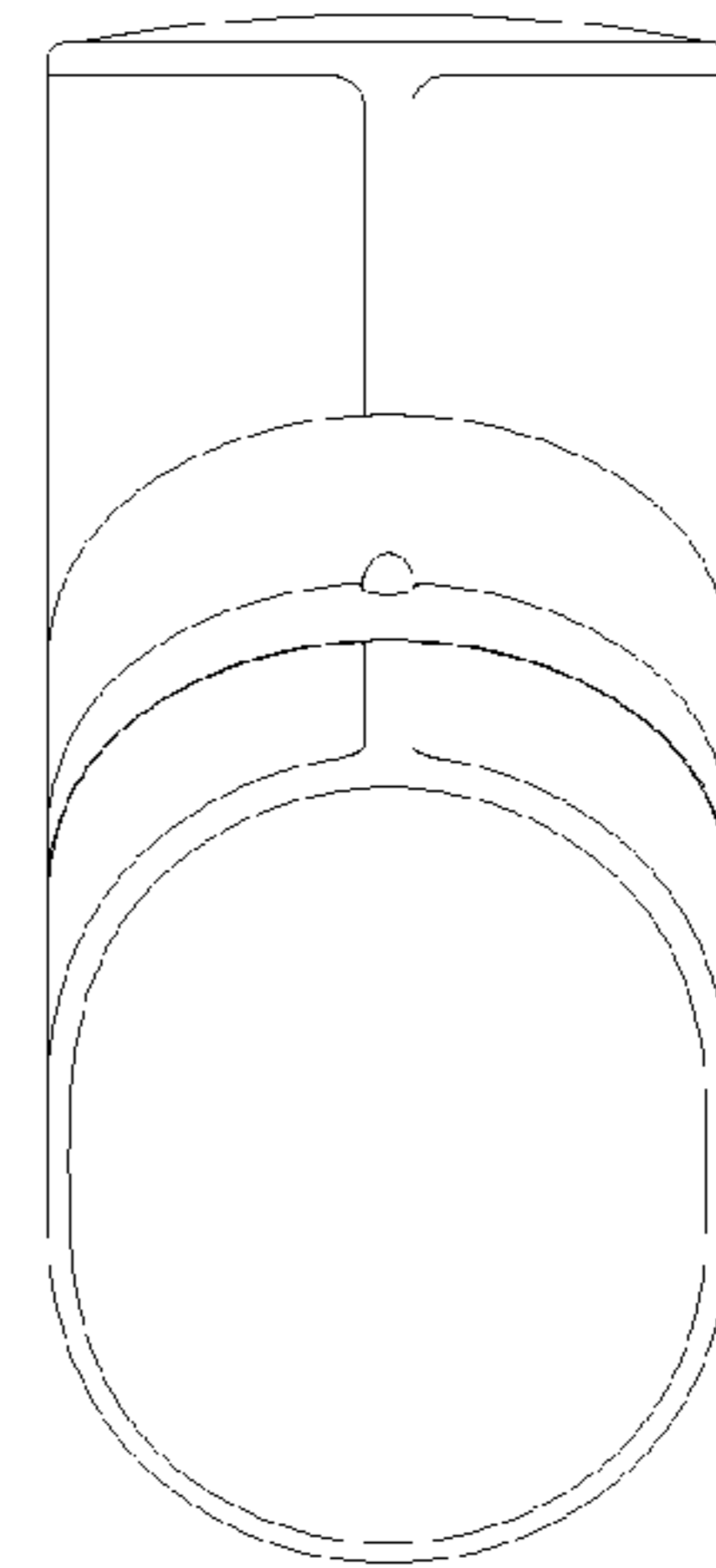


FIGURE 12

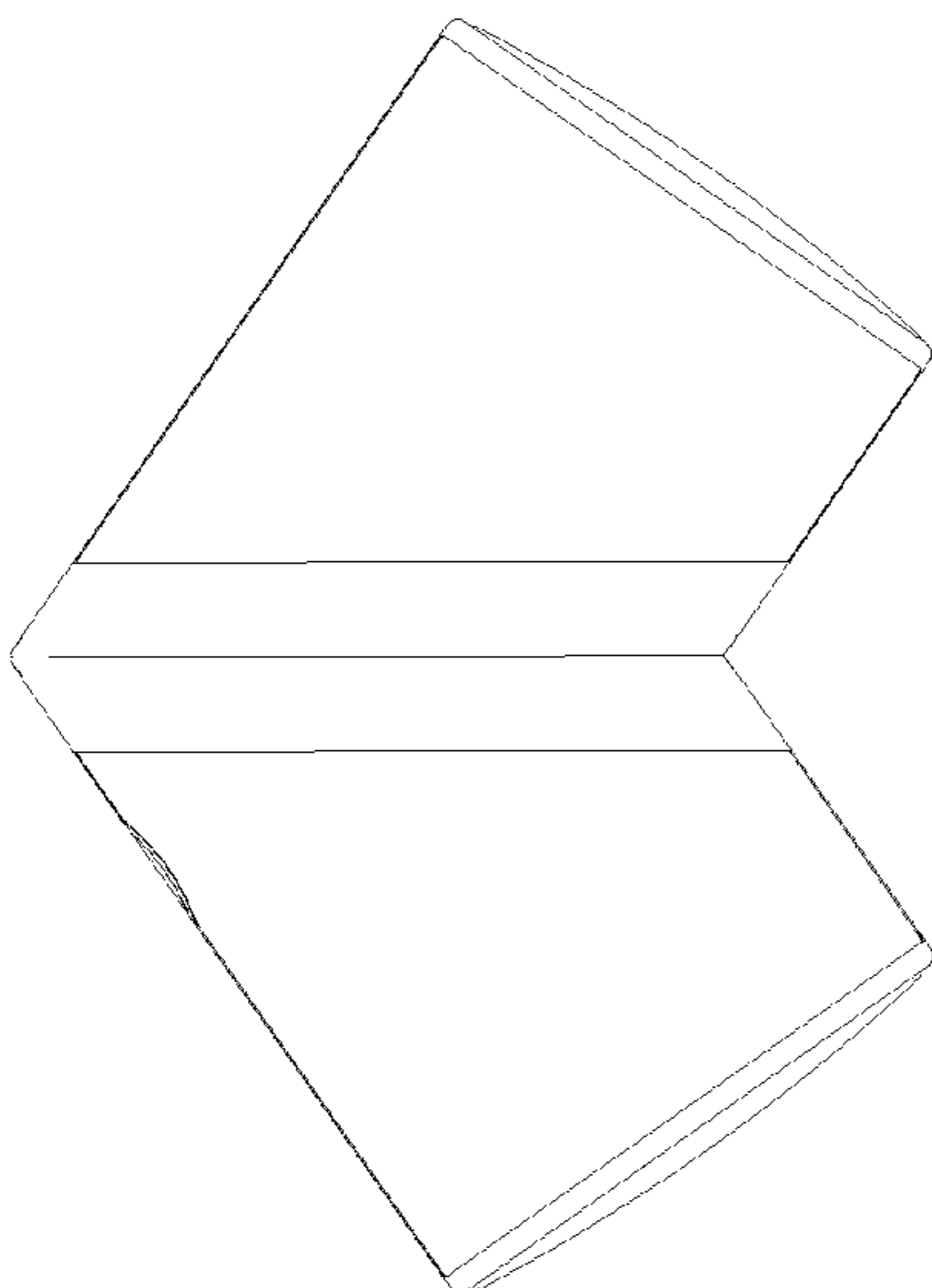


FIGURE 9

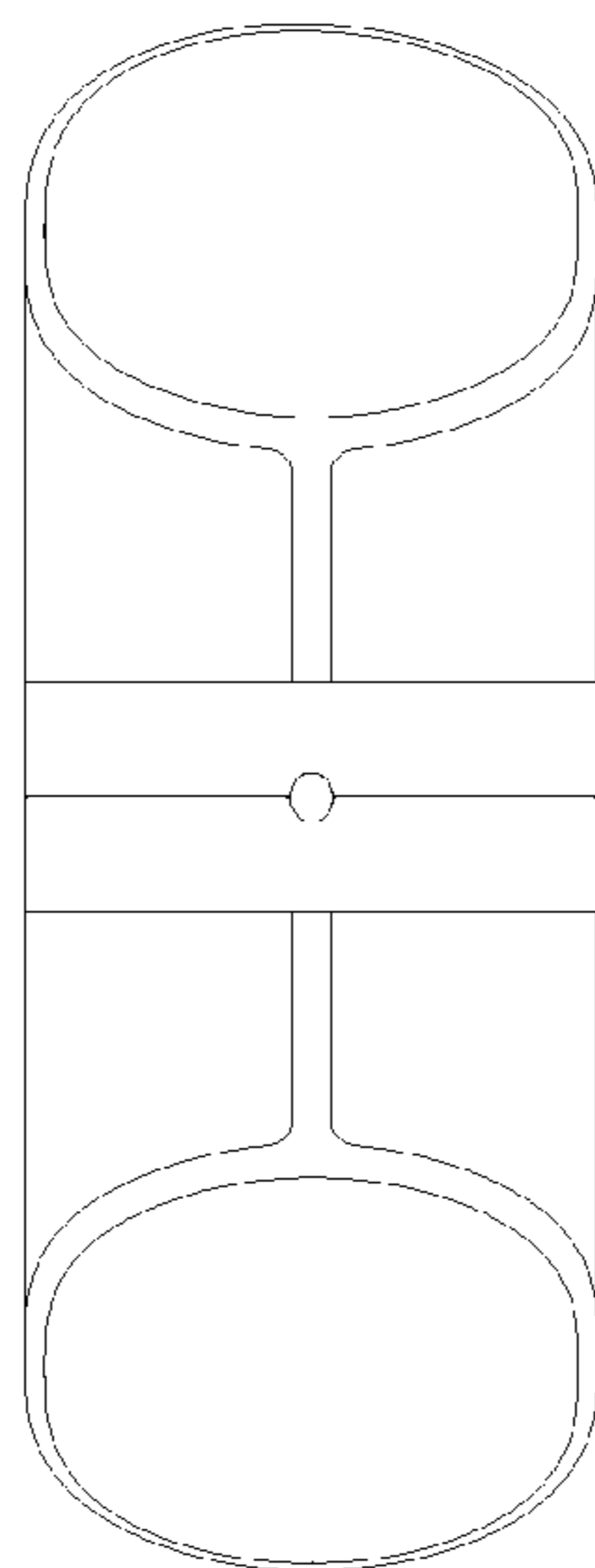


FIGURE 11

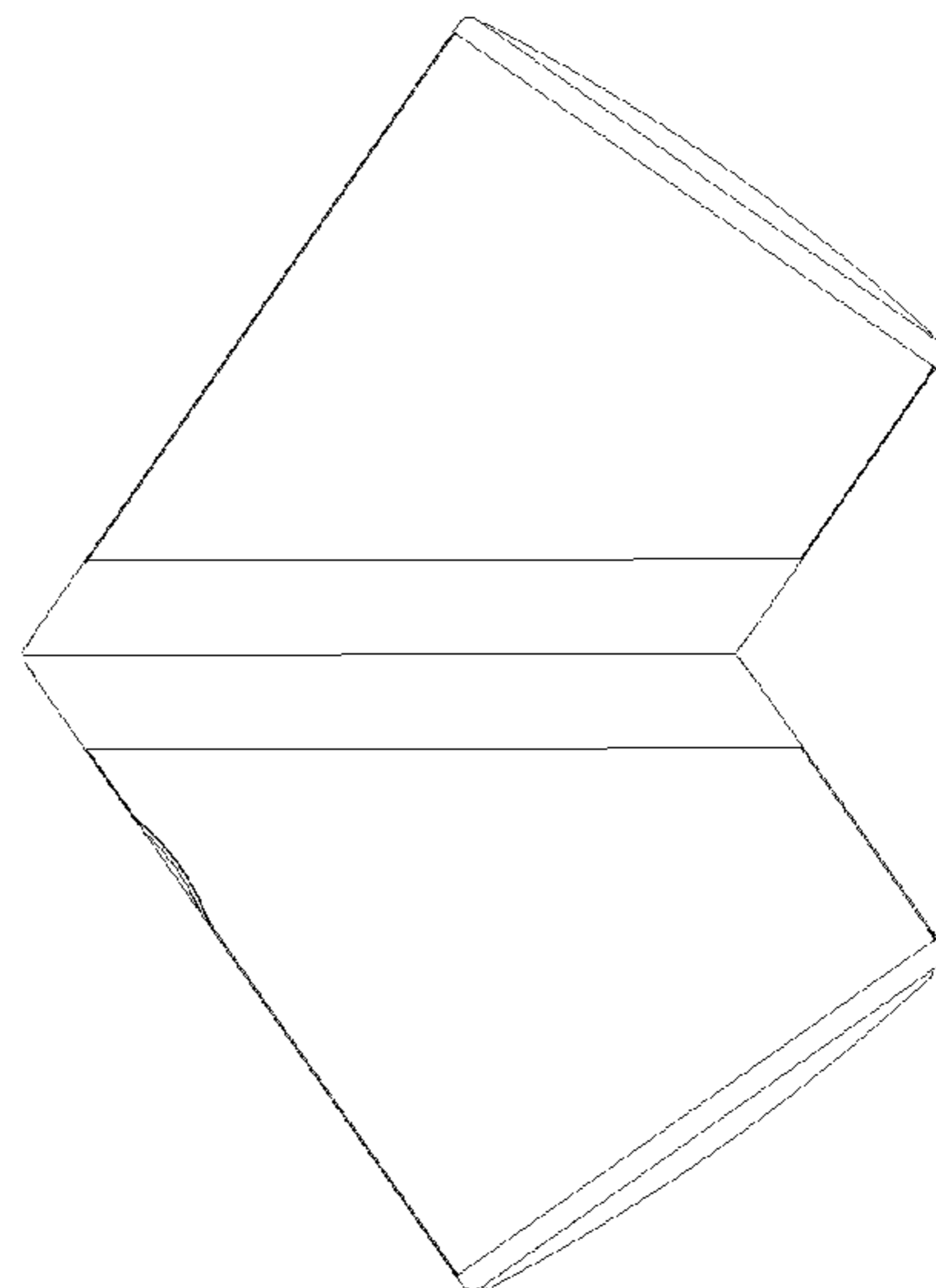


FIGURE 10