



US00D607876S

(12) **United States Design Patent**  
**Huang**

(10) **Patent No.:** **US D607,876 S**  
(45) **Date of Patent:** **\*\* Jan. 12, 2010**

(54) **SPEAKER BOX**

(76) Inventor: **Tian-Xu Huang**,  
Changtianxiangmiaoazilingcun2zulhao Rd.,  
Qianjiangxuan Town, Sichuan (CN)

(\*\*) Term: **14 Years**

(21) Appl. No.: **29/306,385**

(22) Filed: **Apr. 9, 2008**

(30) **Foreign Application Priority Data**

Oct. 10, 2007 (CN) ..... 2007 3 0174294

(51) **LOC (9) Cl.** ..... **14-01**

(52) **U.S. Cl.** ..... **D14/216**

(58) **Field of Classification Search** ..... D14/204,  
D14/205, 207, 210–216, 172; 181/143–144,  
181/147–148, 150–153, 157, 198–199; 381/300–303,  
381/306, 332–333, 336, 345, 361–364, 386–388  
See application file for complete search history.

(56) **References Cited**

**U.S. PATENT DOCUMENTS**

- 4,574,906 A \* 3/1986 White et al. .... 181/145
- D342,738 S \* 12/1993 Hwang ..... D14/213
- 5,319,164 A \* 6/1994 Shen ..... 181/150
- D440,557 S \* 4/2001 Su ..... D14/215
- D482,020 S \* 11/2003 Olson et al. .... D14/216
- D526,644 S \* 8/2006 Breit ..... D14/216

D554,619 S \* 11/2007 Solland ..... D14/215

\* cited by examiner

*Primary Examiner*—Nanda Bondade  
(74) *Attorney, Agent, or Firm*—Leong C. Lei

(57) **CLAIM**

The ornamental design for a speaker box, as shown and described.

**DESCRIPTION**

FIG. 1 is a front elevational view of a speaker box showing my new design;

FIG. 2 is a rear elevational view thereof;

FIG. 3 is a left side elevational view thereof;

FIG. 4 is a right side elevational view thereof;

FIG. 5 is a top plan view thereof;

FIG. 6 is a bottom plan view thereof;

FIG. 7 is another front elevational view while in use thereof;

FIG. 8 is another rear elevational view while in use thereof;

FIG. 9 is another left side elevational view while in use thereof;

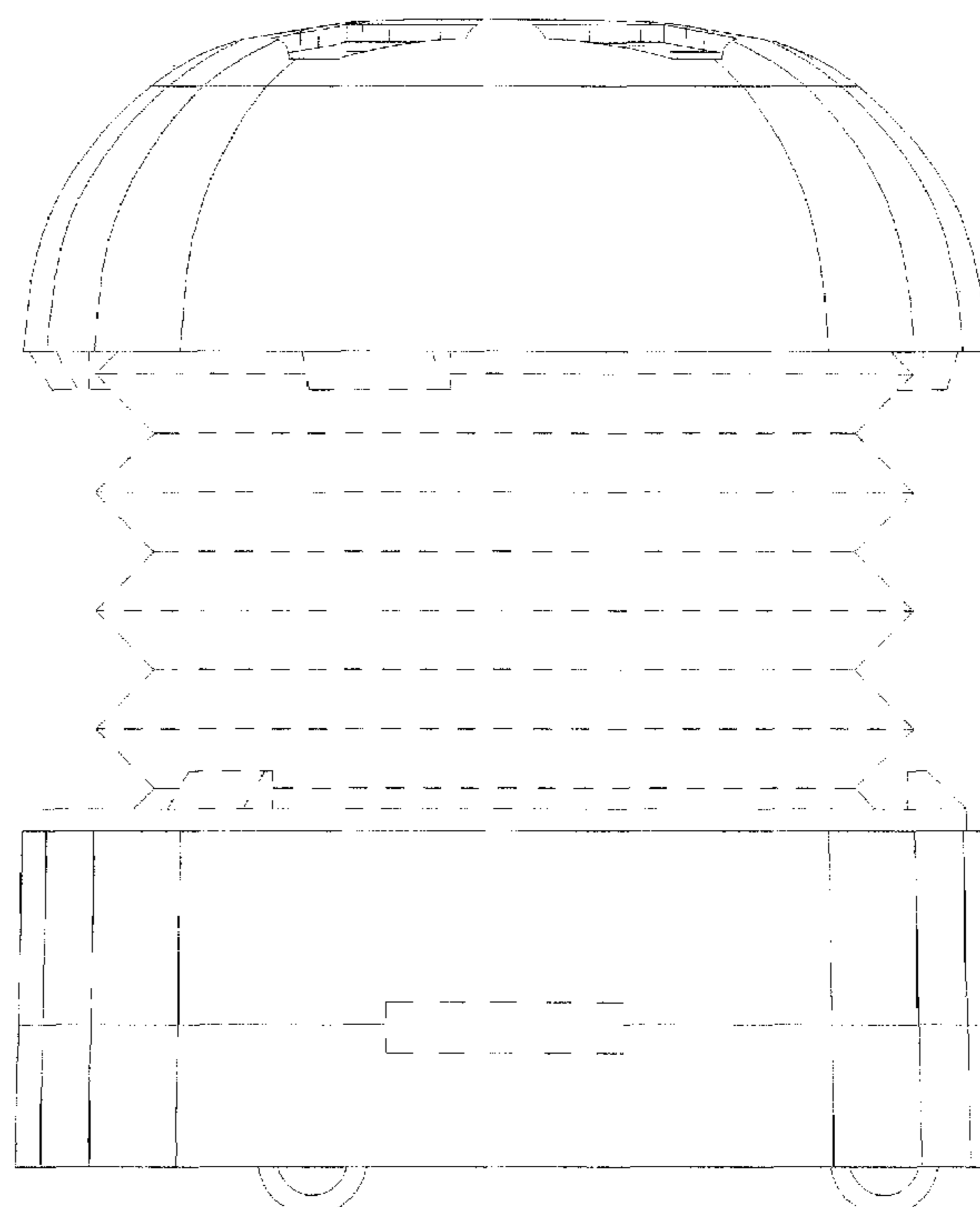
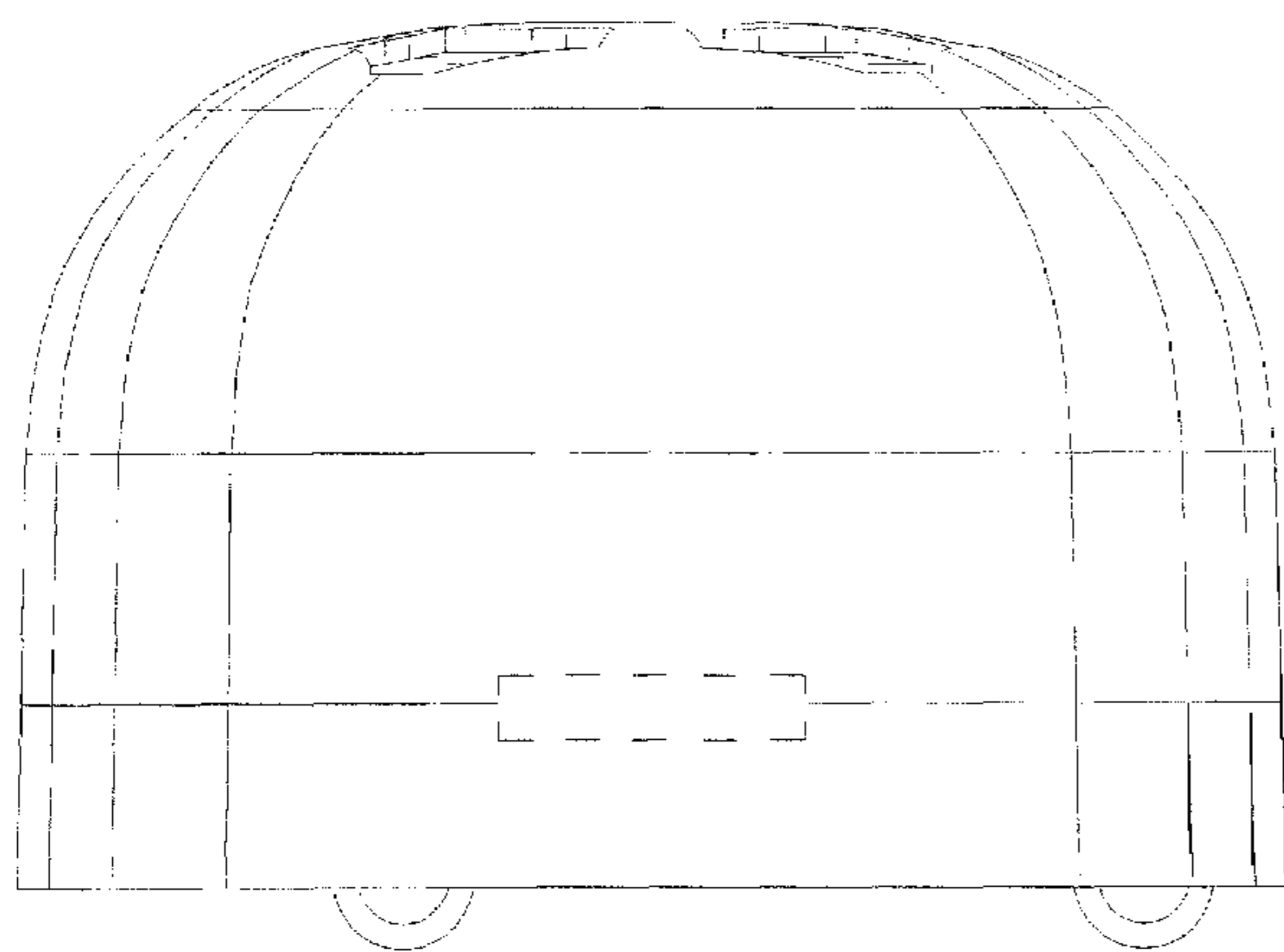
FIG. 10 is another right side elevational view while in use thereof;

FIG. 11 is another top plan view while in use thereof; and,

FIG. 12 is another bottom plan view while in use thereof.

The broken lines illustrate portions of the speaker box that form no part of the claimed design.

**1 Claim, 12 Drawing Sheets**



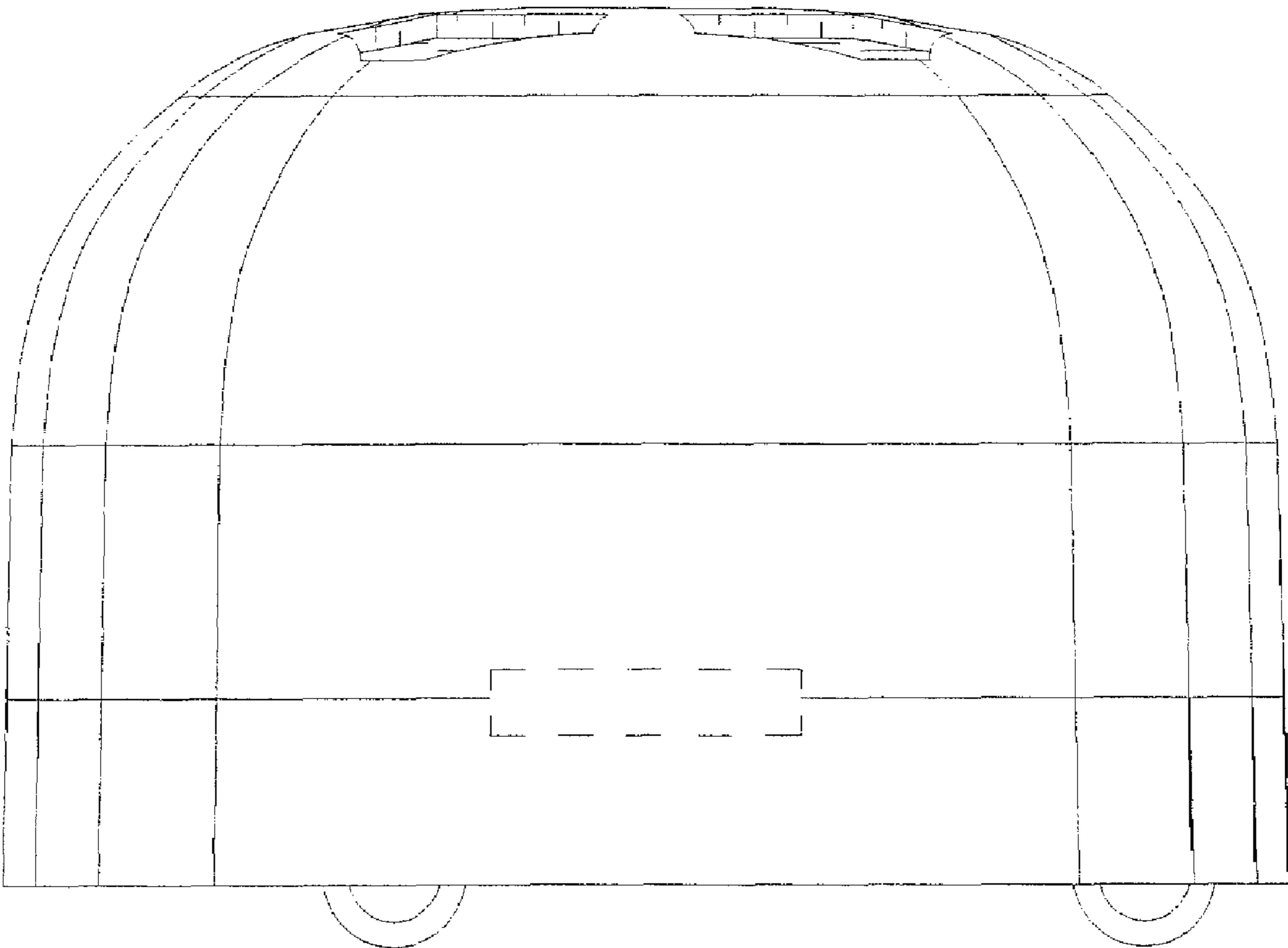


FIG. 1

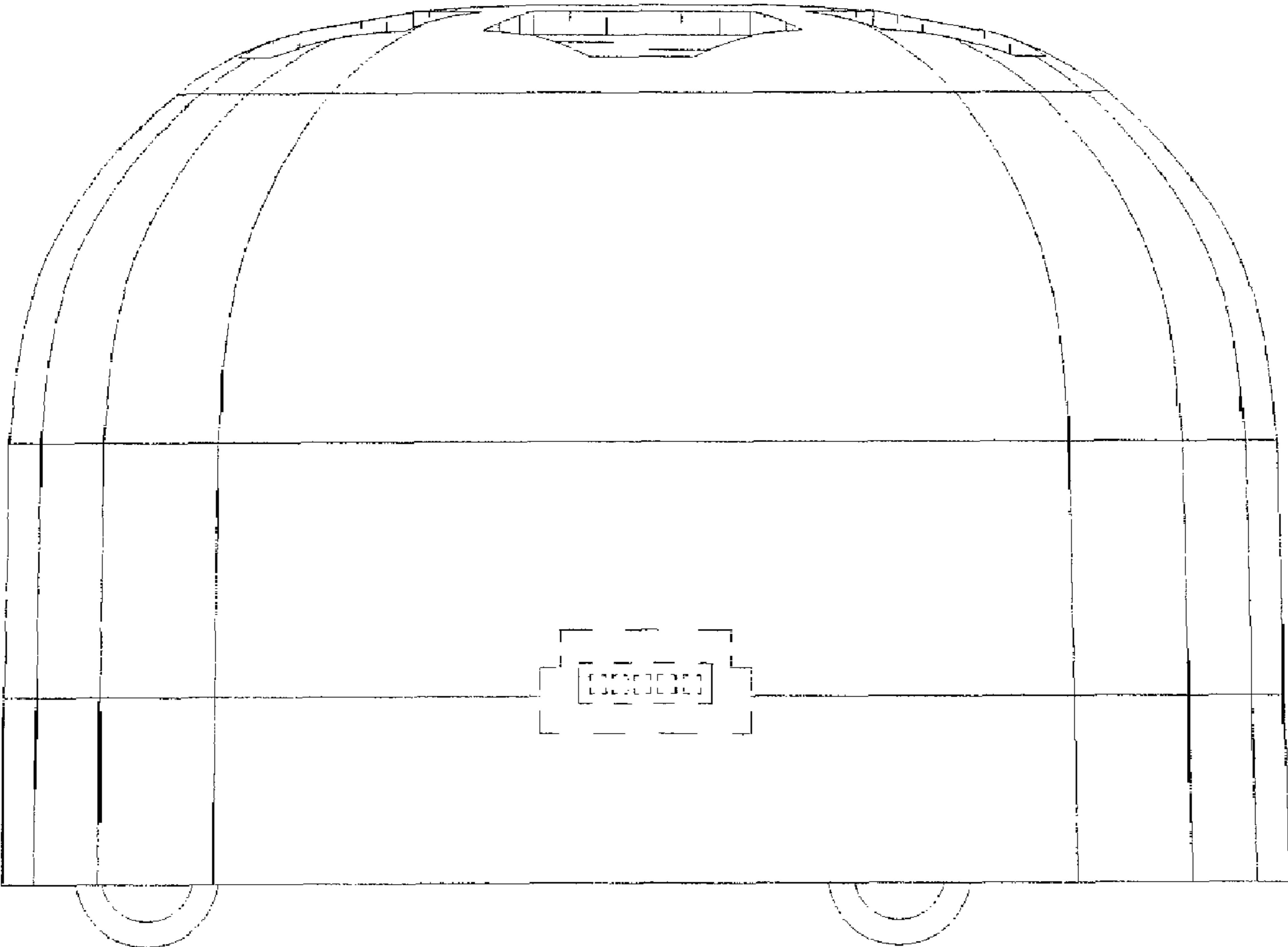


FIG. 2

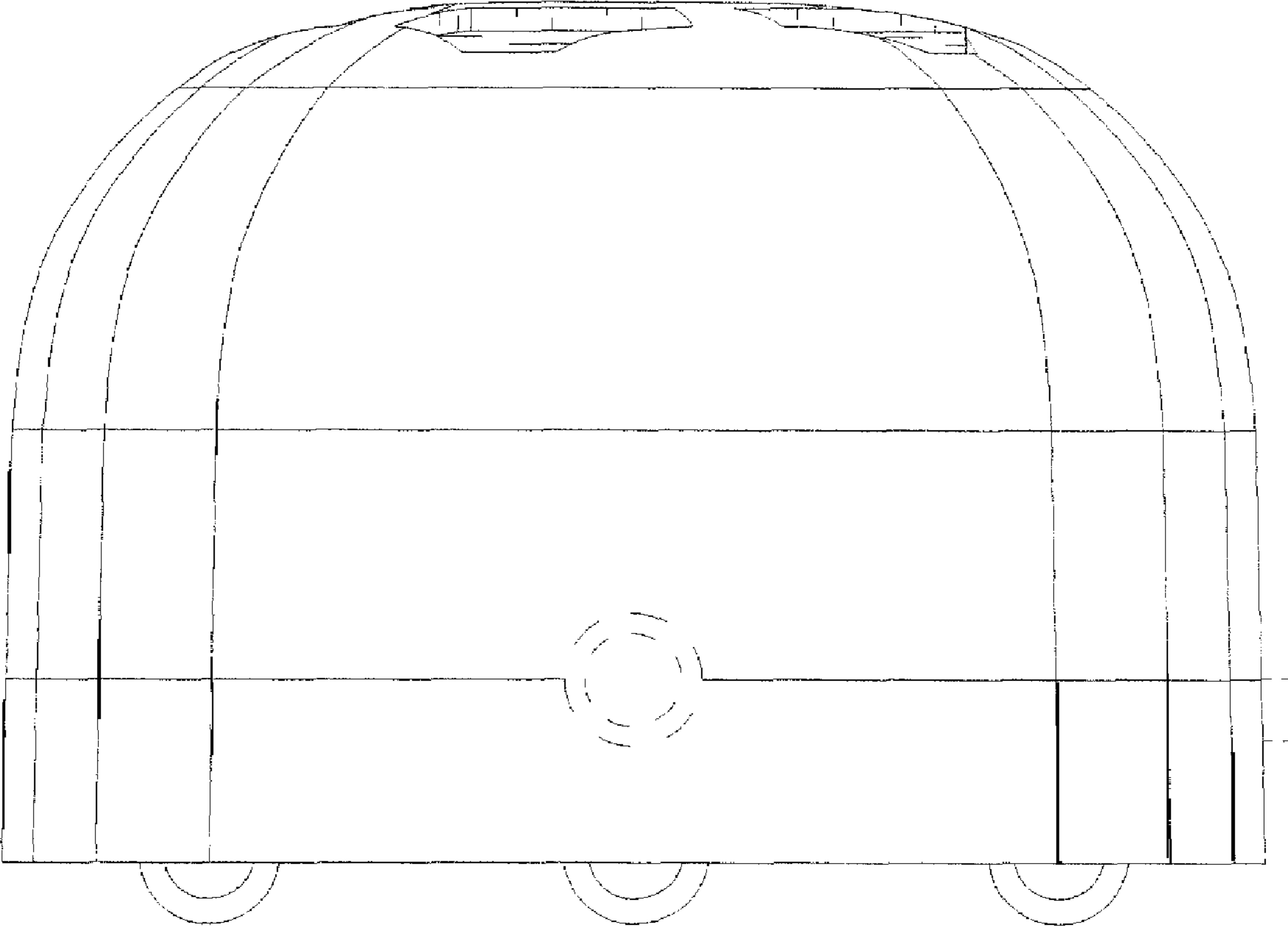


FIG. 3

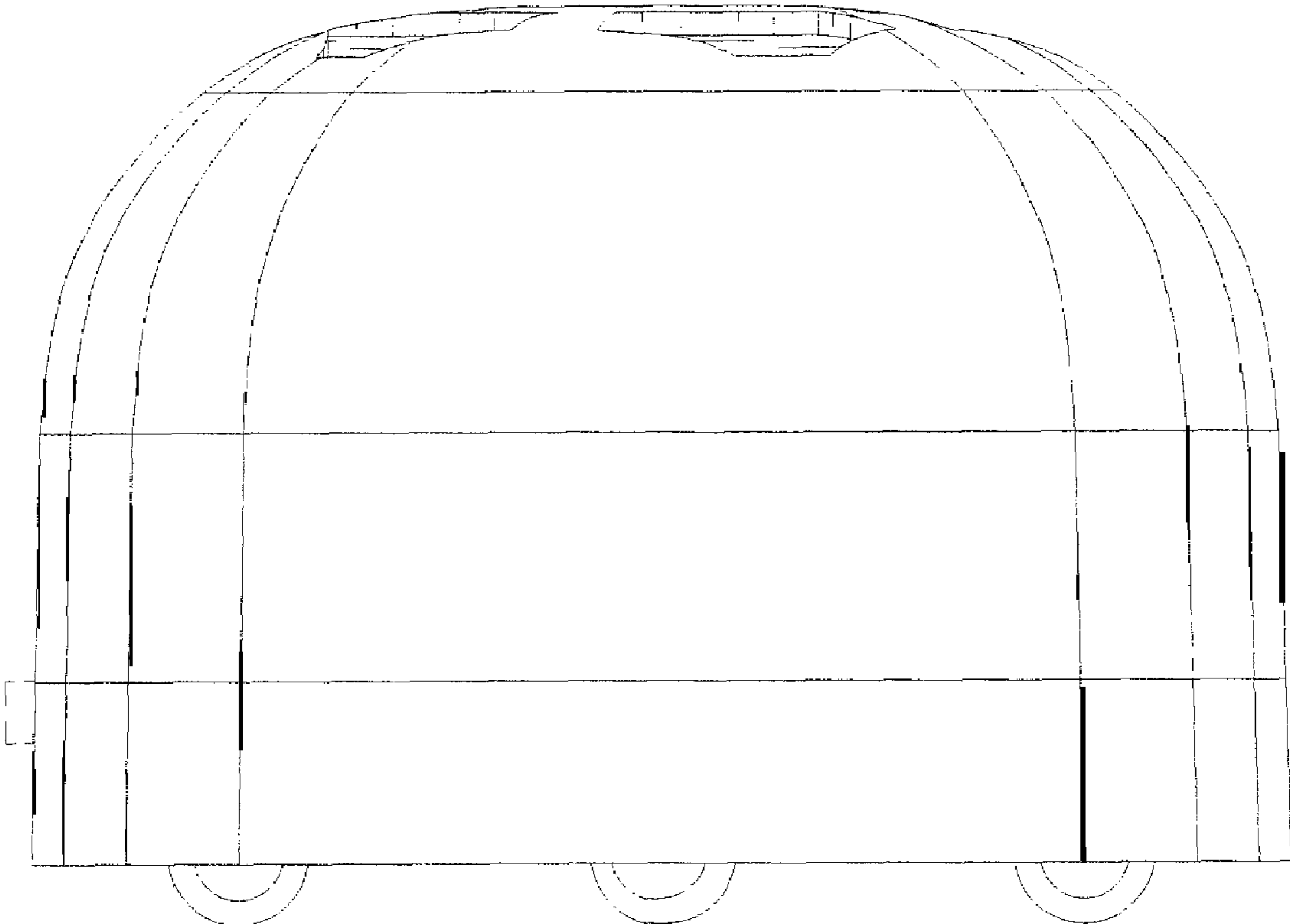


FIG. 4

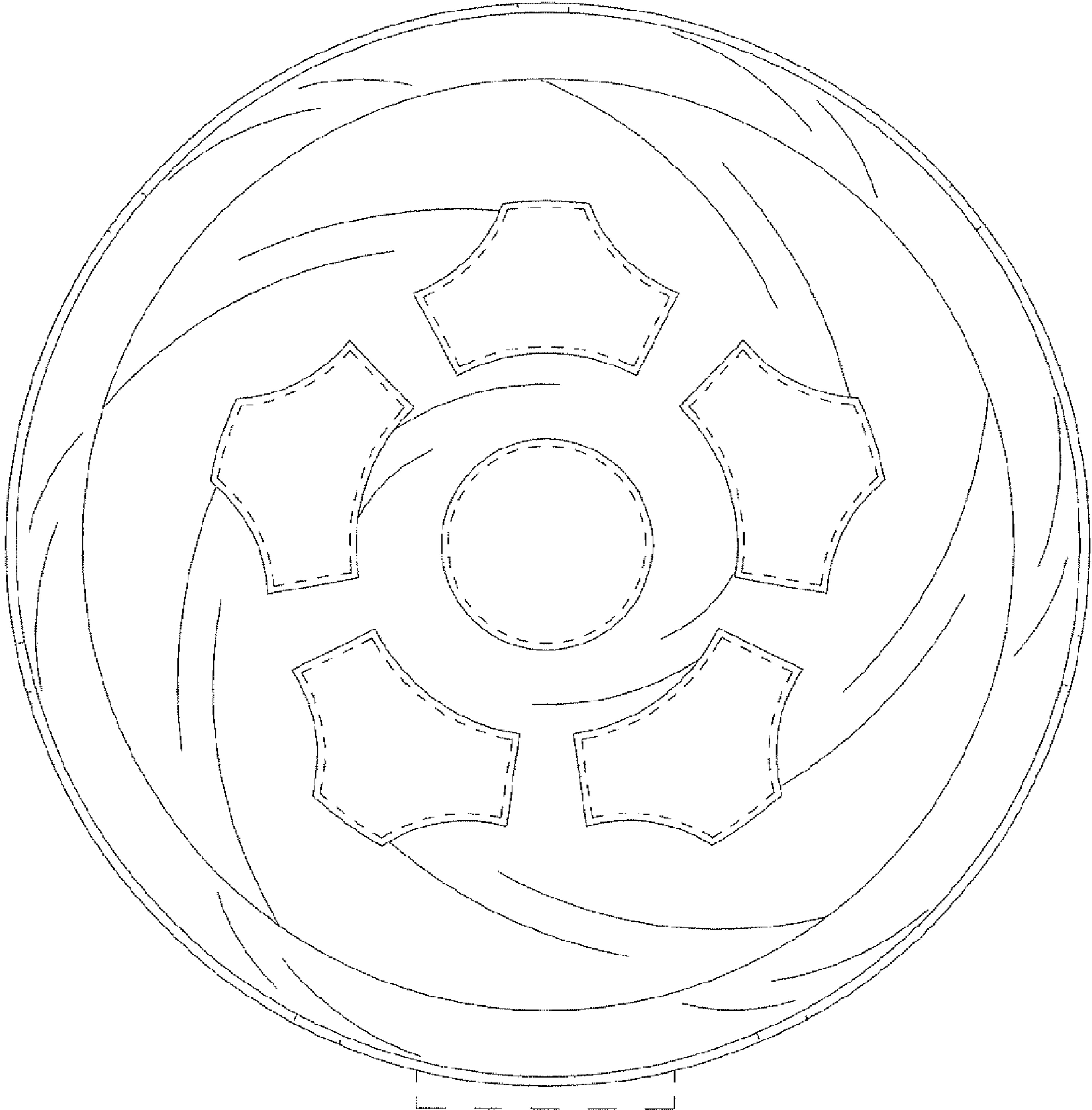


FIG. 5

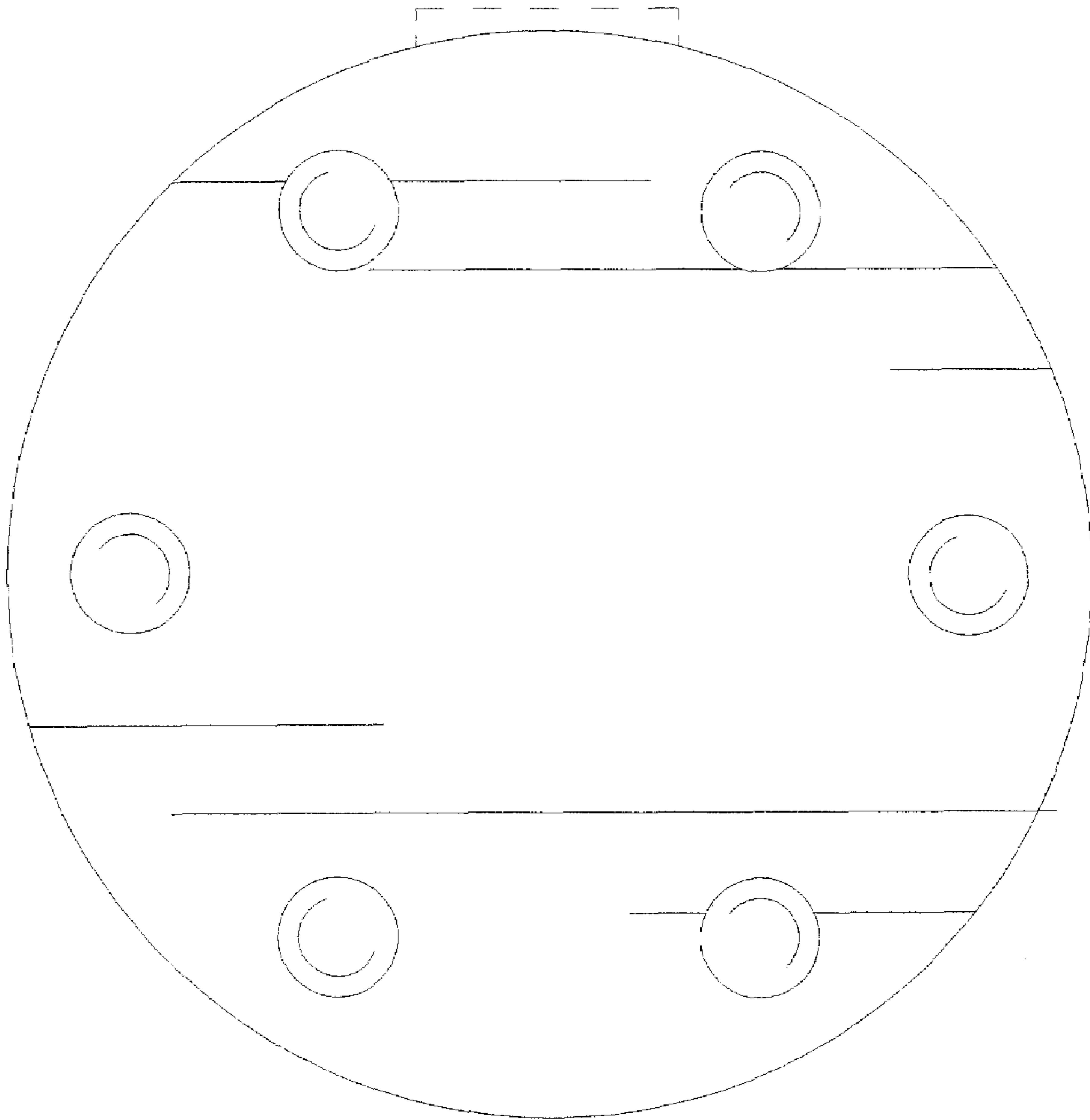


FIG. 6

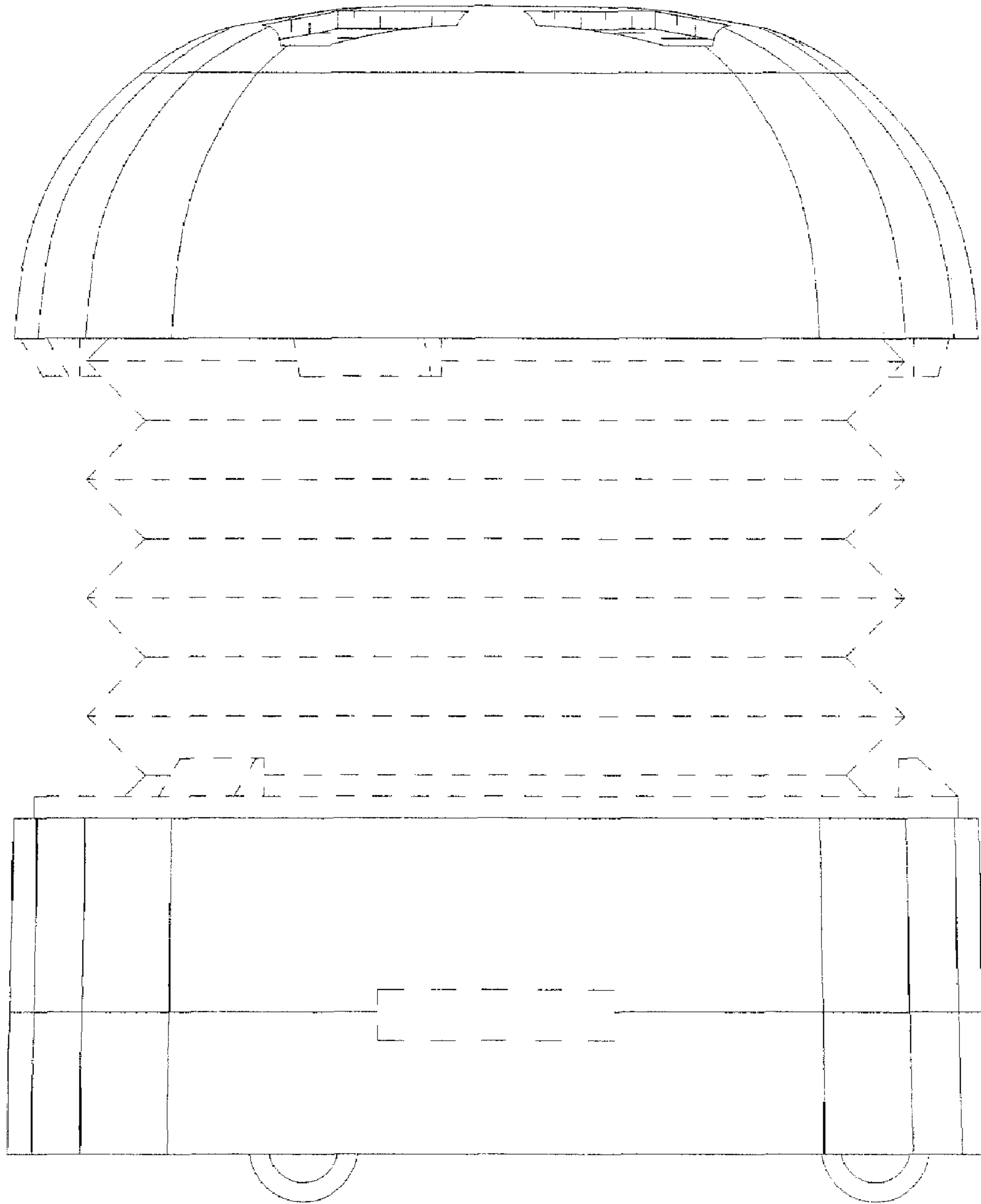


FIG. 7



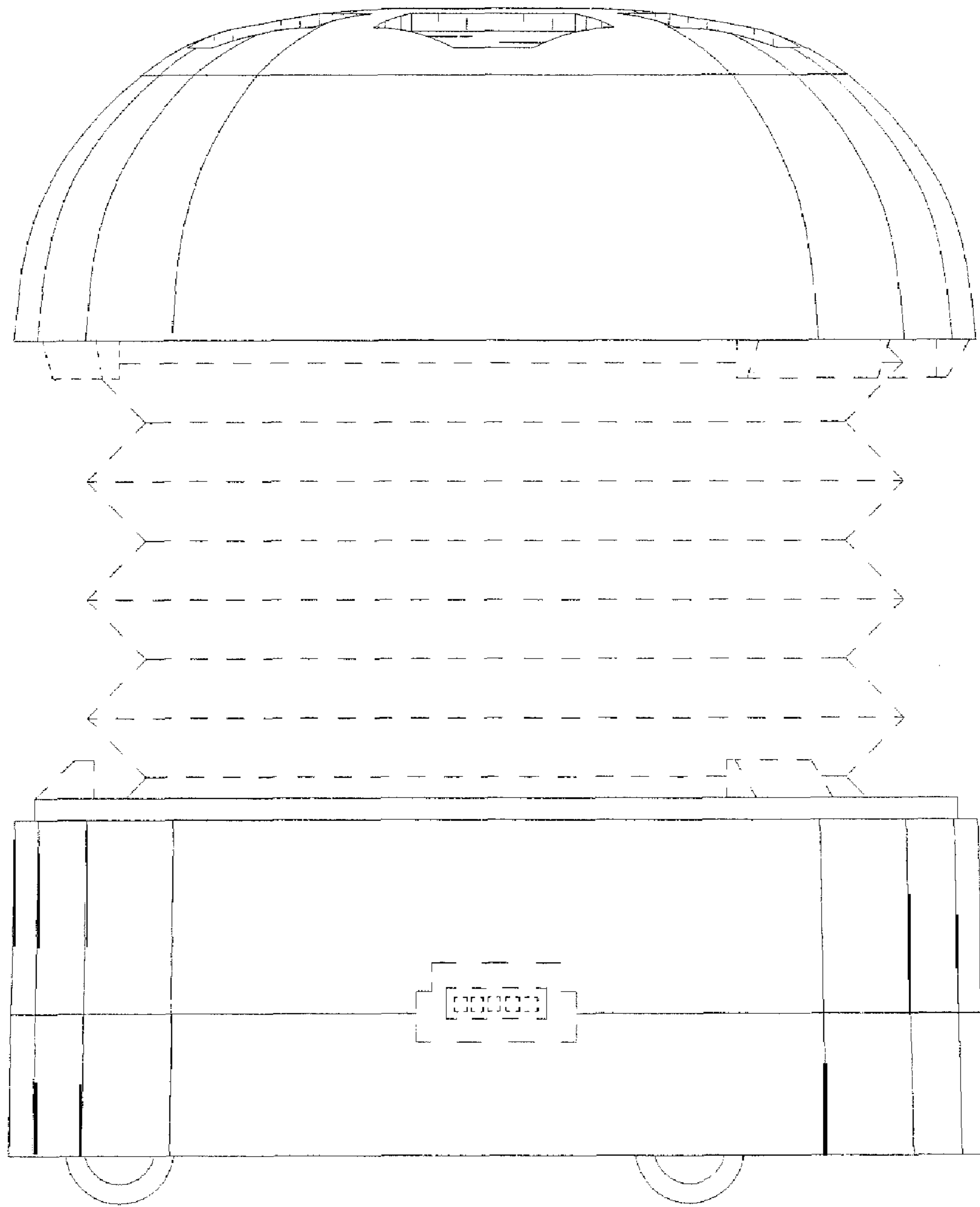


FIG. 8

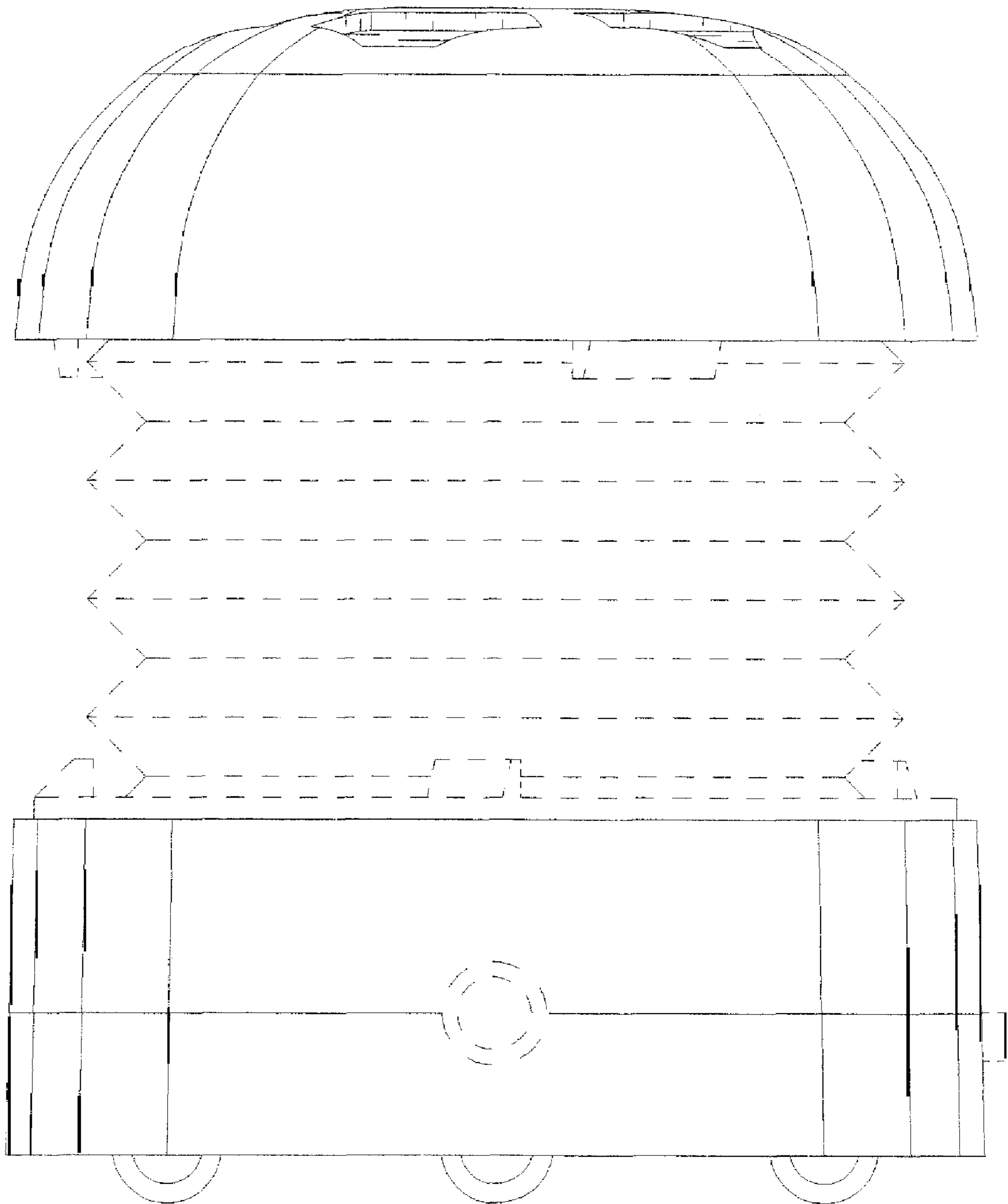


FIG. 9

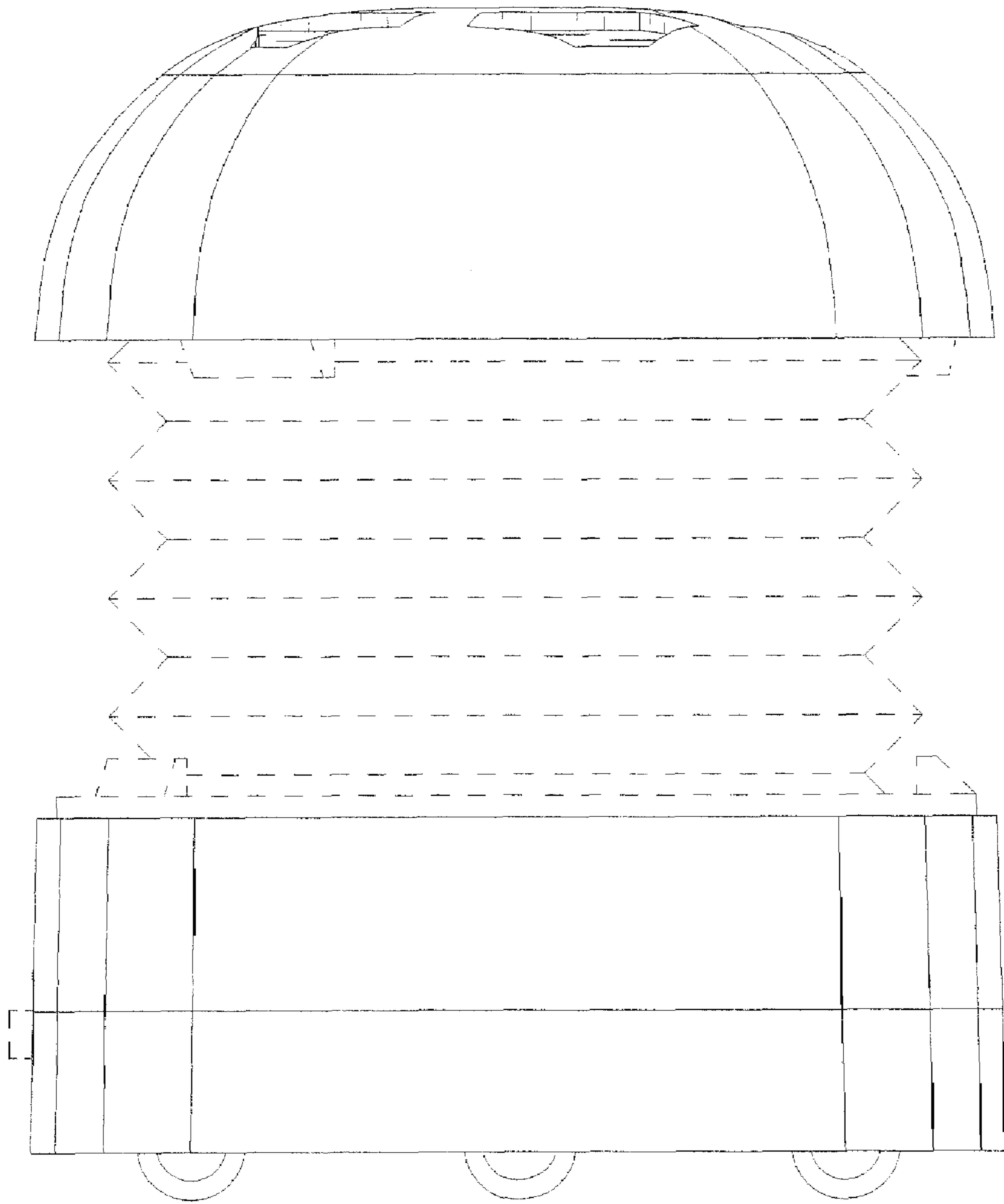


FIG. 10

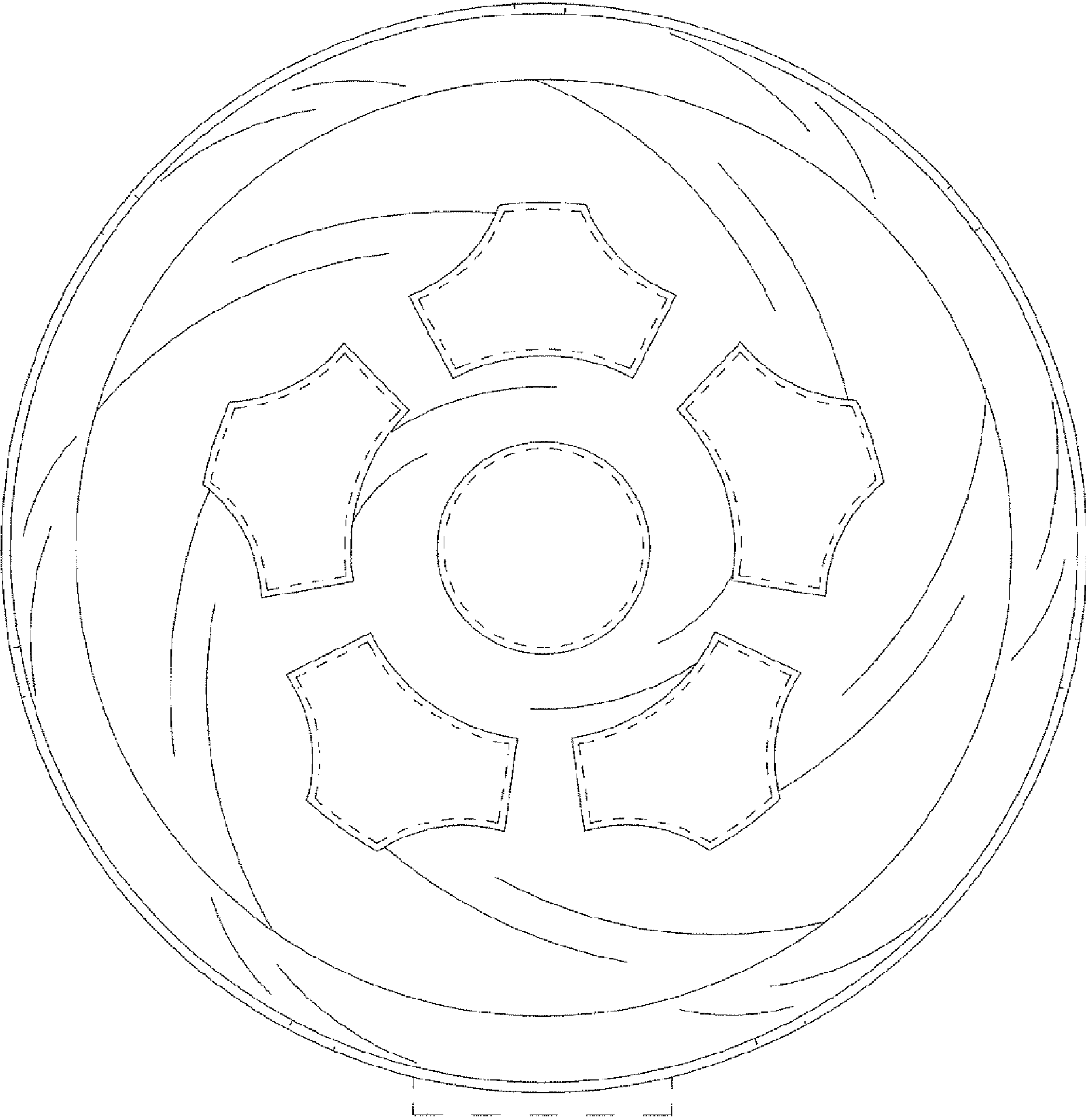


FIG. 11

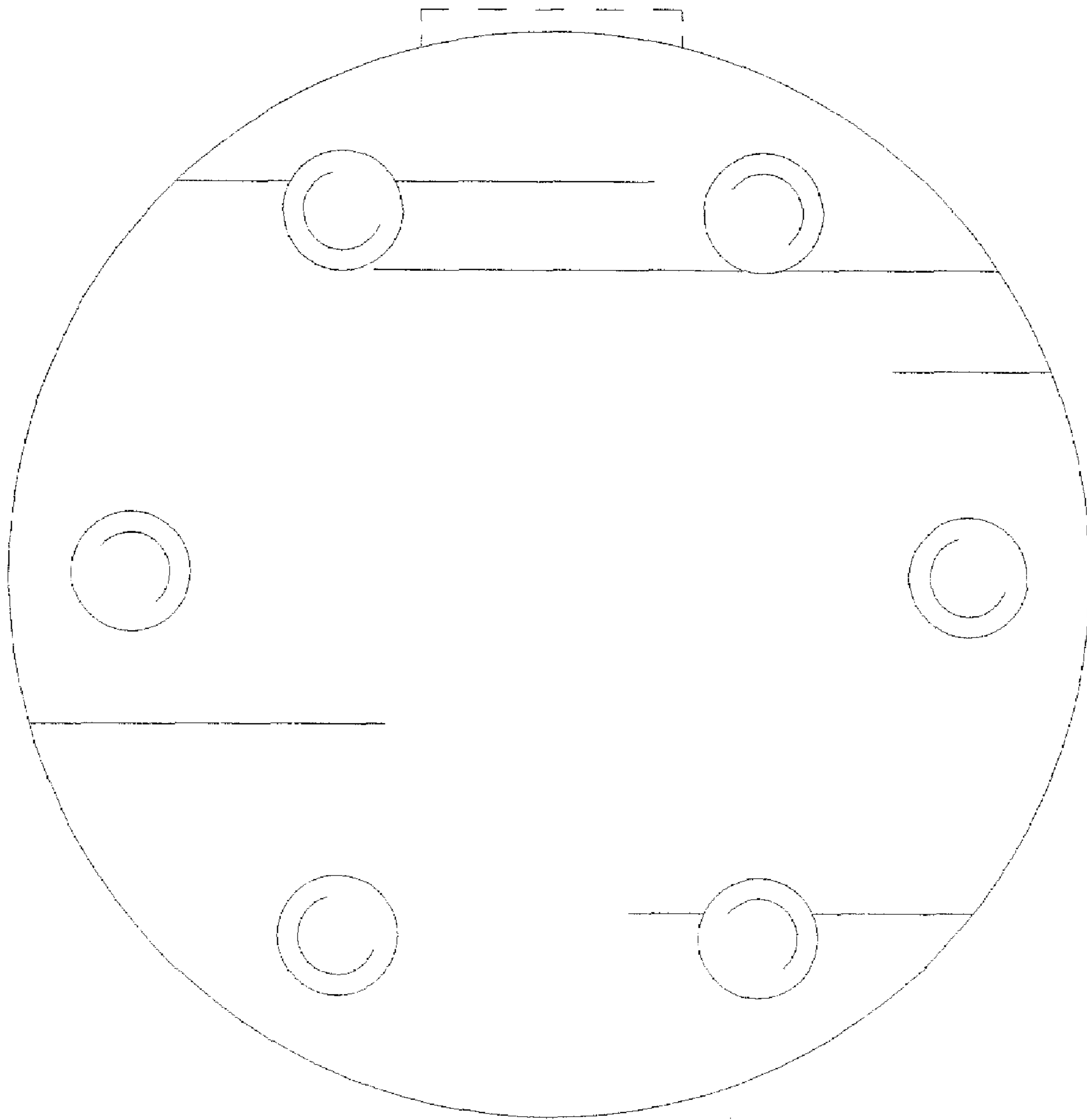


FIG. 12