



US00D607867S

(12) **United States Design Patent**
Baik et al.

(10) **Patent No.:** **US D607,867 S**
(45) **Date of Patent:** **** Jan. 12, 2010**

(54) **MOBILE PHONE**

(75) Inventors: **Jae-Ho Baik**, Seoul (KR); **Yoon-Young Cho**, Seoul (KR); **Chang-Hwan Hwang**, Goyang-si (KR)

(73) Assignee: **Samsung Electronics Co., Ltd.**, Suwon (KR)

(**) Term: **14 Years**

(21) Appl. No.: **29/335,144**

(22) Filed: **Apr. 9, 2009**

(30) **Foreign Application Priority Data**

Dec. 2, 2008 (KR) 30-2008-0051936

(51) **LOC (9) Cl.** **14-03**

(52) **U.S. Cl.** **D14/138 AA**

(58) **Field of Classification Search** D14/138 AA,
D14/138 R, 138 AD, 341-347; 455/575.1,
455/575.4, 556.2

See application file for complete search history.

(56) **References Cited**

U.S. PATENT DOCUMENTS

D502,160	S	*	2/2005	Chen et al.	D14/138 AA
D532,767	S	*	11/2006	Yoshino et al.	D14/138 AA
D540,773	S	*	4/2007	Meng et al.	D14/138 AA
D543,191	S	*	5/2007	Kim et al.	D14/138 AA
D543,531	S	*	5/2007	Lee	D14/138 AA
D543,967	S	*	6/2007	Peng	D14/138 AA
D546,314	S	*	7/2007	Im	D14/138 AA
D546,806	S	*	7/2007	Cho et al.	D14/138 AA
D555,127	S	*	11/2007	Park et al.	D14/138 AA
D555,626	S	*	11/2007	Son et al.	D14/138 AA
7,328,050	B2	*	2/2008	Cheng et al.	455/575.3

D572,700	S	*	7/2008	Kwon et al.	D14/138 AA
D573,130	S	*	7/2008	Kim et al.	D14/138 AA
D584,269	S	*	1/2009	Baik et al.	D14/138 AA
D584,271	S	*	1/2009	Ko et al.	D14/138 AA
D585,039	S	*	1/2009	Wang et al.	D14/138 AA
D590,797	S	*	4/2009	Finney et al.	D14/138 R
D593,049	S	*	5/2009	Christiansen et al.	...	D14/138 R
D596,599	S	*	7/2009	Kim et al.	D14/138 AA
D597,051	S	*	7/2009	Kim et al.	D14/138 AA
D597,510	S	*	8/2009	Anderson	D14/138 AA
D597,540	S	*	8/2009	Schellen	D14/248
2008/0039156	A1	*	2/2008	Lee et al.	455/575.1

OTHER PUBLICATIONS

Vodafone 725 telephone, announced May 2008, [online], [site visited Aug. 19, 2009]. Available from Internet ,<URL: <http://www.gsmarena.com>>.*

(Continued)

Primary Examiner—Jeffrey D Asch

(74) *Attorney, Agent, or Firm*—Staas & Halsey LLP

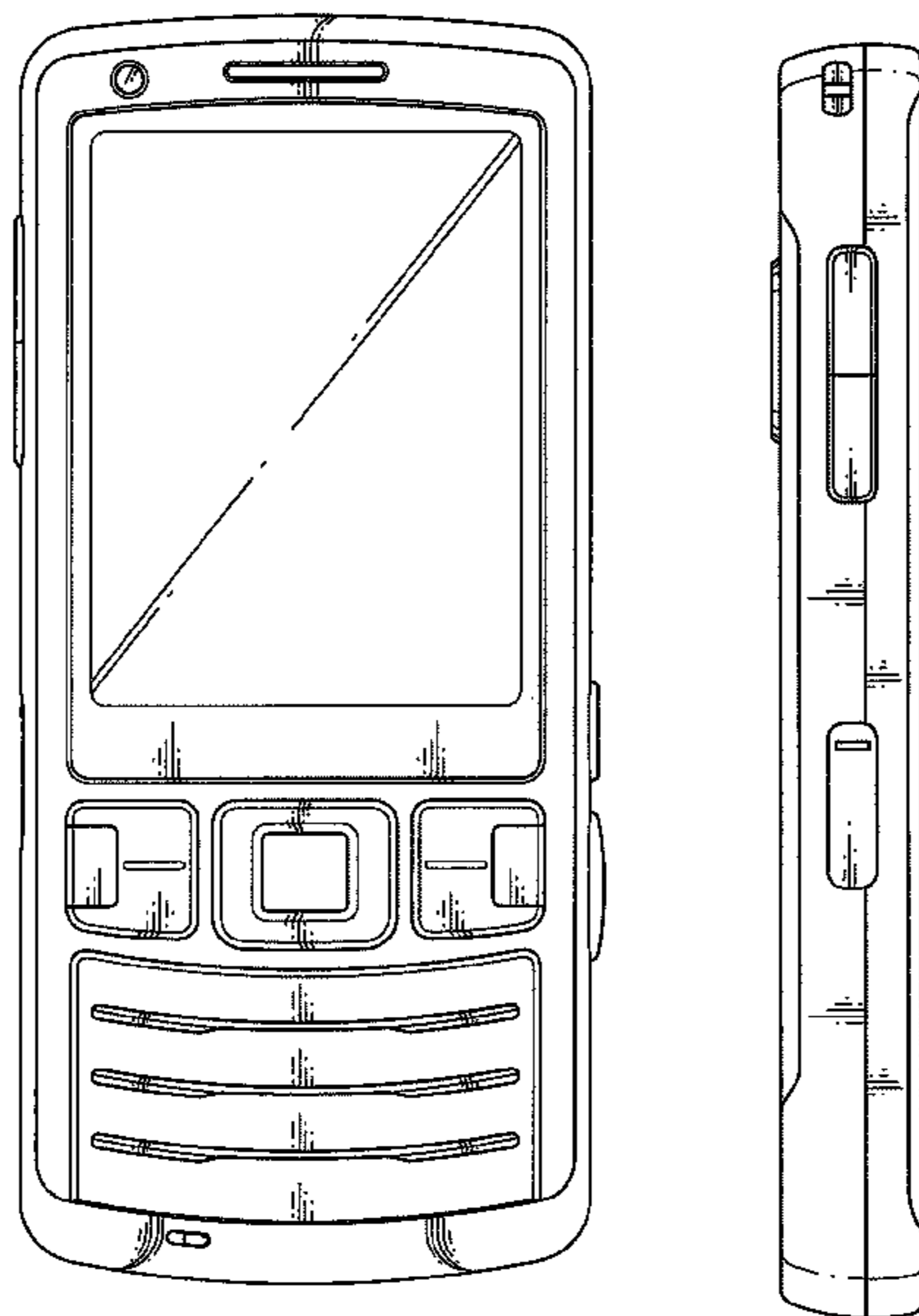
(57) **CLAIM**

The ornamental design for a mobile phone, as shown and described.

DESCRIPTION

FIG. 1 is a front perspective view of a mobile phone;
FIG. 2 is a front view of the mobile phone of FIG. 1;
FIG. 3 is a rear view of the mobile phone of FIG. 1;
FIG. 4 is a left-side view of the mobile phone of FIG. 1;
FIG. 5 is a right-side view of the mobile phone of FIG. 1;
FIG. 6 is a top plan view of the mobile phone of FIG. 1; and,
FIG. 7 is a bottom plan view of the mobile phone of FIG. 1.

1 Claim, 4 Drawing Sheets



OTHER PUBLICATIONS

NEC e121 telephone, announced 4th quarter 2005, [online], [site visited Aug. 19, 2009]. Available from Internet ,<URL: <http://www.gsmarena.com>>.*

Huawei T211 telephone, announced 3rd quarter 2008, [online], [site visited Aug. 19, 2009]. Available from Internet ,<URL: <http://www.gsmarena.com>>.*

* cited by examiner

FIG. 1

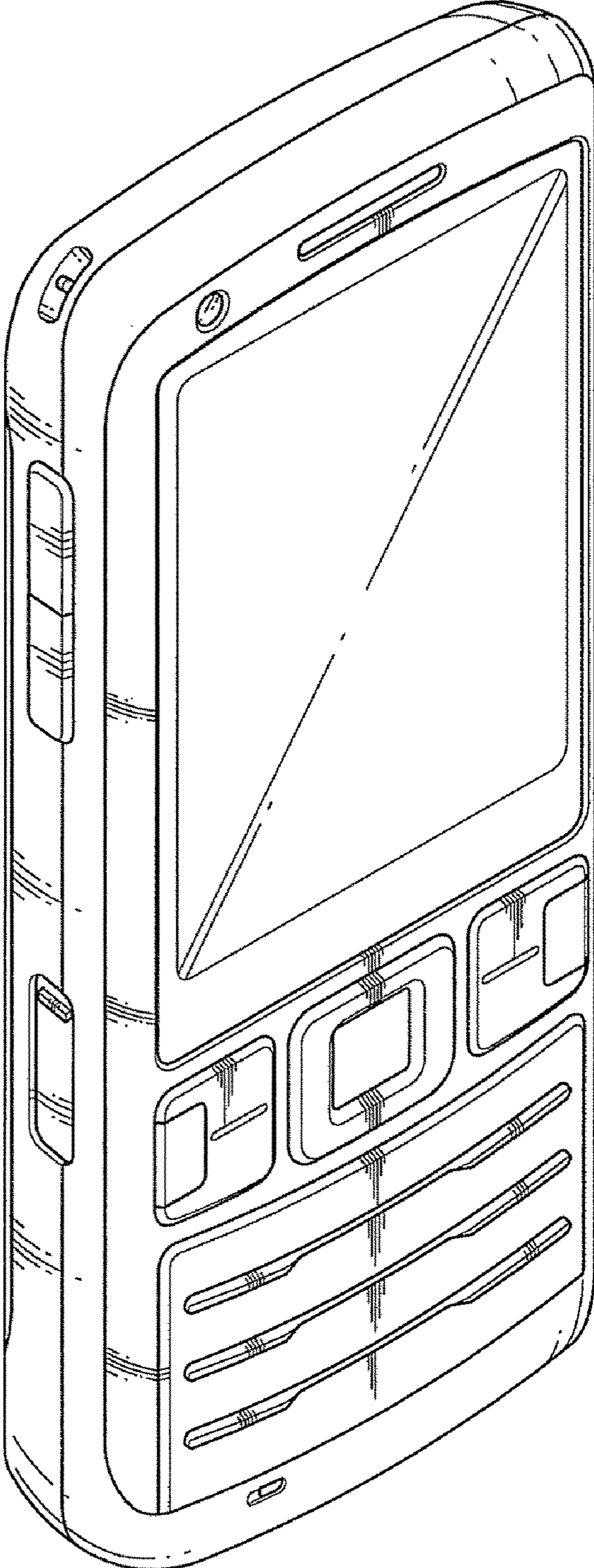


FIG. 2

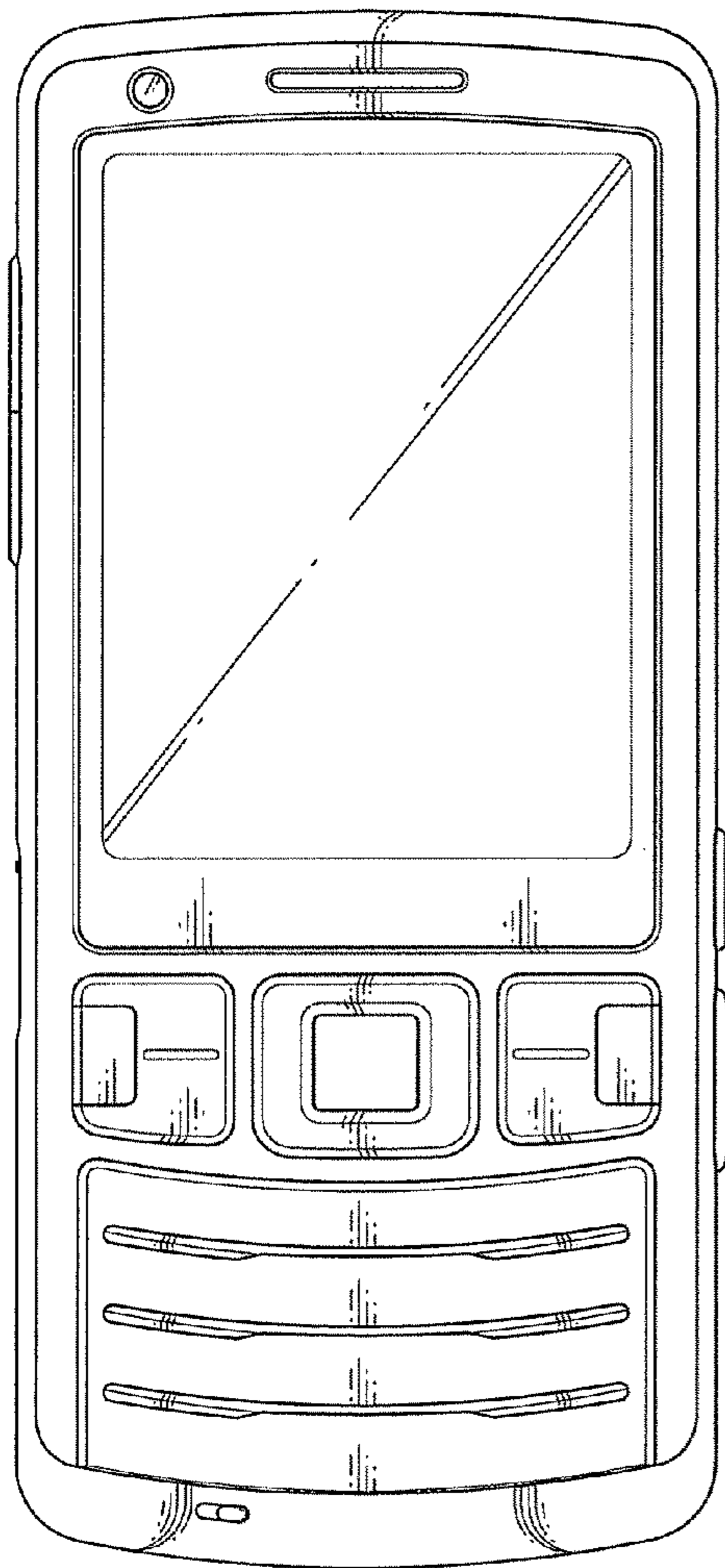


FIG. 3

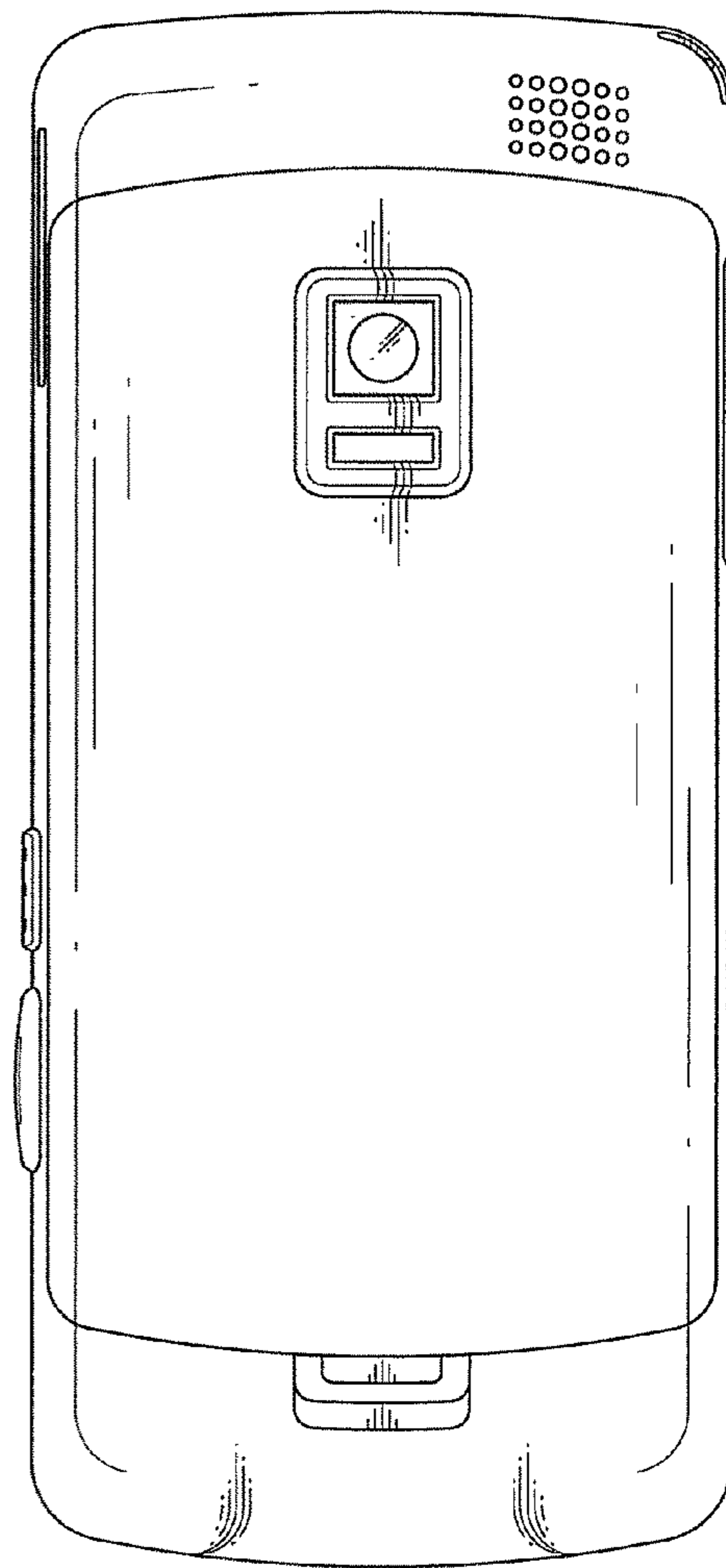


FIG. 4

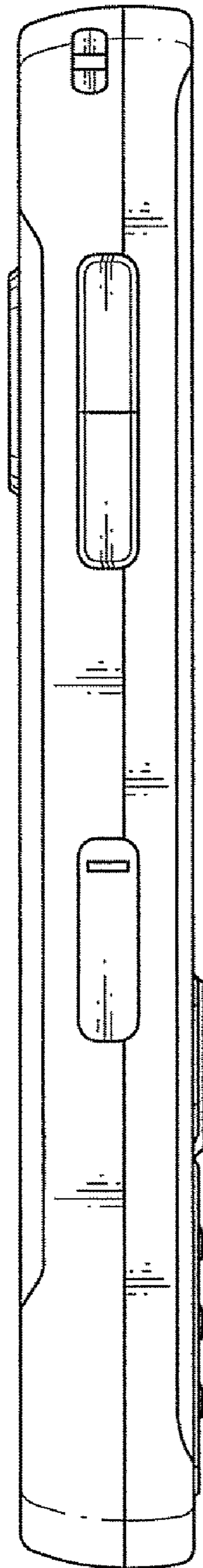


FIG. 5

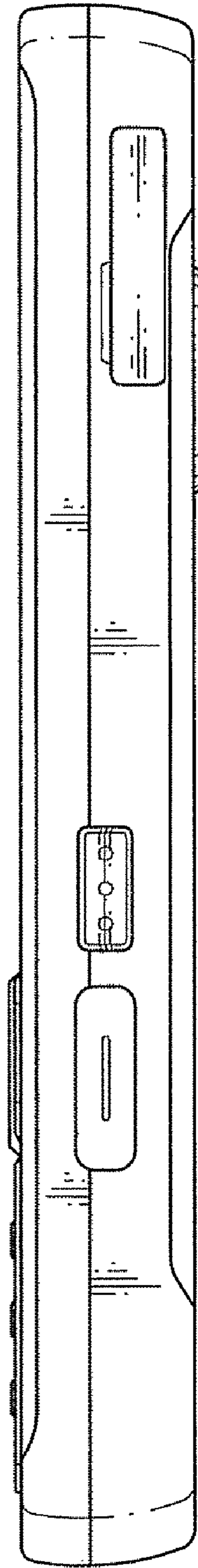


FIG. 6

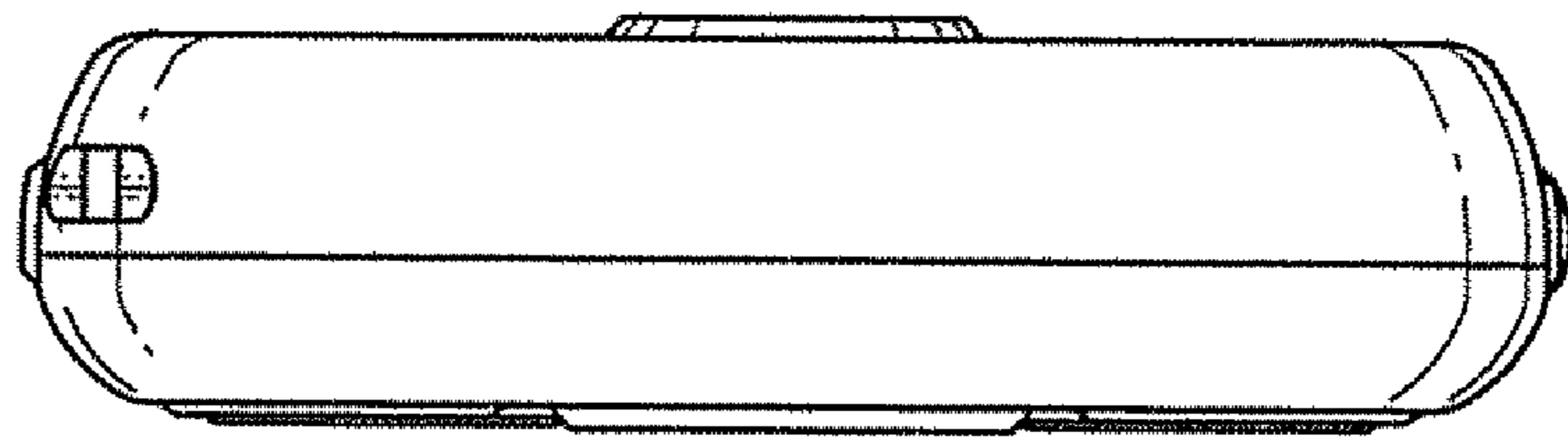


FIG. 7

