



US00D607857S

(12) **United States Design Patent**
Kim et al.

(10) **Patent No.:** **US D607,857 S**
(45) **Date of Patent:** **** *Jan. 12, 2010**

(54) **MOBILE PHONE**

(75) Inventors: **Kuk Hwan Kim**, Seoul (KR); **Nam Mi Kim**, Seoul (KR); **Chang Soo Lee**, Seoul (KR)

(73) Assignee: **Samsung Electronics Co., Ltd.**, Suwon (KR)

(*) Notice: This patent is subject to a terminal disclaimer.

(**) Term: **14 Years**

(21) Appl. No.: **29/292,315**

(22) Filed: **Oct. 5, 2007**

(51) **LOC (9) Cl.** **14-03**

(52) **U.S. Cl.** **D14/138 AB**

(58) **Field of Classification Search** D14/138,
D14/496, 341, 345, 346; 455/575.3, 575.1
See application file for complete search history.

(56) **References Cited**

U.S. PATENT DOCUMENTS

D508,035 S *	8/2005	Kim et al.	D14/138 AB
D537,059 S *	2/2007	Hwang	D14/138 AB
D537,061 S *	2/2007	Oh	D14/138 AB
D537,803 S *	3/2007	Lee et al.	D14/138 AB
7,269,443 B2 *	9/2007	Park et al.	455/556.2
D559,217 S *	1/2008	Helin et al.	D14/138 AB
D559,825 S *	1/2008	Park et al.	D14/138 AB
D560,186 S *	1/2008	Kim et al.	D14/138 AB
D560,189 S *	1/2008	Kim et al.	D14/138 AB
D560,643 S *	1/2008	Kim et al.	D14/138 AB
D561,719 S *	2/2008	Cho	D14/138 AB
D563,375 S *	3/2008	Kim et al.	D14/138 AB
D563,924 S *	3/2008	Arnold et al.	D14/138 AB
D566,673 S *	4/2008	Lee	D14/138 AB
D568,863 S *	5/2008	Lee et al.	D14/138 AB
D570,812 S *	6/2008	Bae	D14/138 AB
D571,345 S *	6/2008	Kim et al.	D14/138
D571,773 S *	6/2008	Kim et al.	D14/138
D572,226 S *	7/2008	Park et al.	D14/138

D572,690 S *	7/2008	Kim et al.	D14/138
D573,124 S *	7/2008	Han et al.	D14/138
D573,574 S *	7/2008	Suk et al.	D14/138
D573,575 S *	7/2008	Song et al.	D14/138
D573,968 S *	7/2008	Chen et al.	D14/138
D576,137 S *	9/2008	Jeon et al.	D14/138 R
D576,600 S *	9/2008	Kim et al.	D14/138 R

OTHER PUBLICATIONS

Samsung L310 telephone, announced Jan. 2008, [online], [site visited Oct. 27, 2008]. Available from Internet ,<URL: <http://www.gsmarena.com>>.*

Samsung E210 telephone, announced Aug. 2007, [online], [site visited Oct 27, 2008]. Available from Internet ,<URL: <http://www.gsmarena.com>>.*

Nokia 7390 telephone, announced Sep. 2006, [online], [site visited Oct. 27, 2008]. Available from Internet ,<URL: <http://www.gsmarena.com>>.*

BenQ-Siemens A53 telephone, announced Apr. 2007, [online], [site visited Oct. 27, 2008]. Available from Internet ,<URL: <http://www.gsmarena.com>>.*

(Continued)

Primary Examiner—Jeffrey D Asch

(74) *Attorney, Agent, or Firm*—Ladas and Parry LLP

(57) **CLAIM**

We claim the ornamental design for mobile phone, as shown.

DESCRIPTION

FIG. 1 is a front/right-side/top perspective view of a mobile phone showing our new design;

FIG. 2 is a front-side elevational view thereof;

FIG. 3 is a rear-side elevational view thereof;

FIG. 4 is a left-side elevational view thereof;

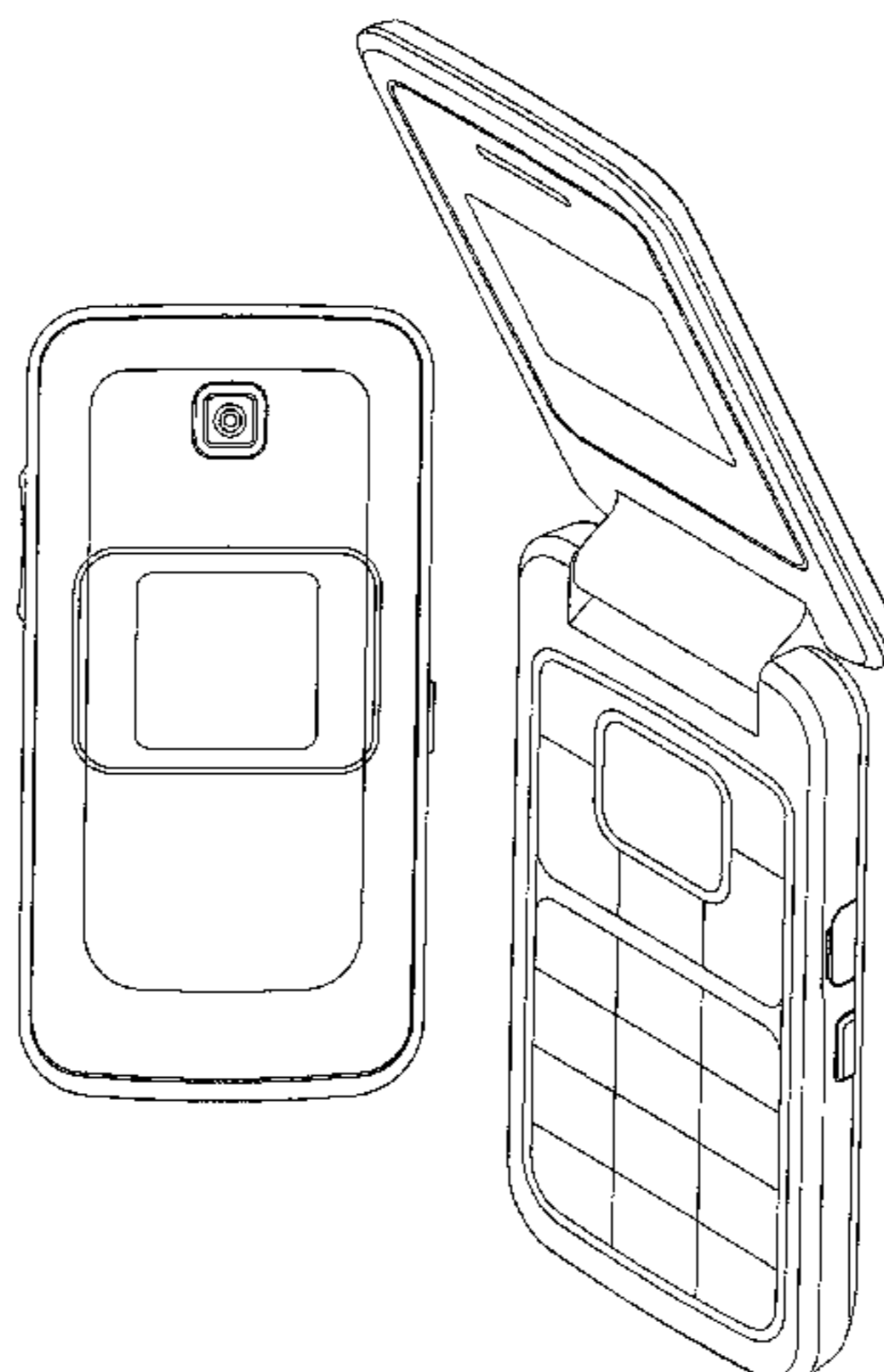
FIG. 5 is a right-side elevational view thereof;

FIG. 6 is a top-side elevational view thereof;

FIG. 7 is a bottom-side elevational view thereof; and,

FIG. 8 is a front/right-side/top perspective view showing our new design with the folder in the open position.

1 Claim, 7 Drawing Sheets



OTHER PUBLICATIONS

LG KF300 telephone, announced Apr. 2008, [online], [site visited Oct. 27, 2008]. Available from Internet ,<URL: <http://www.gsmarena.com>>.*

Haier M1100 telephone, announced 2005, [online], [site visited Oct. 27, 2008]. Available from Internet ,<URL: <http://www.gsmarena.com>>.*

* cited by examiner

FIG. 1

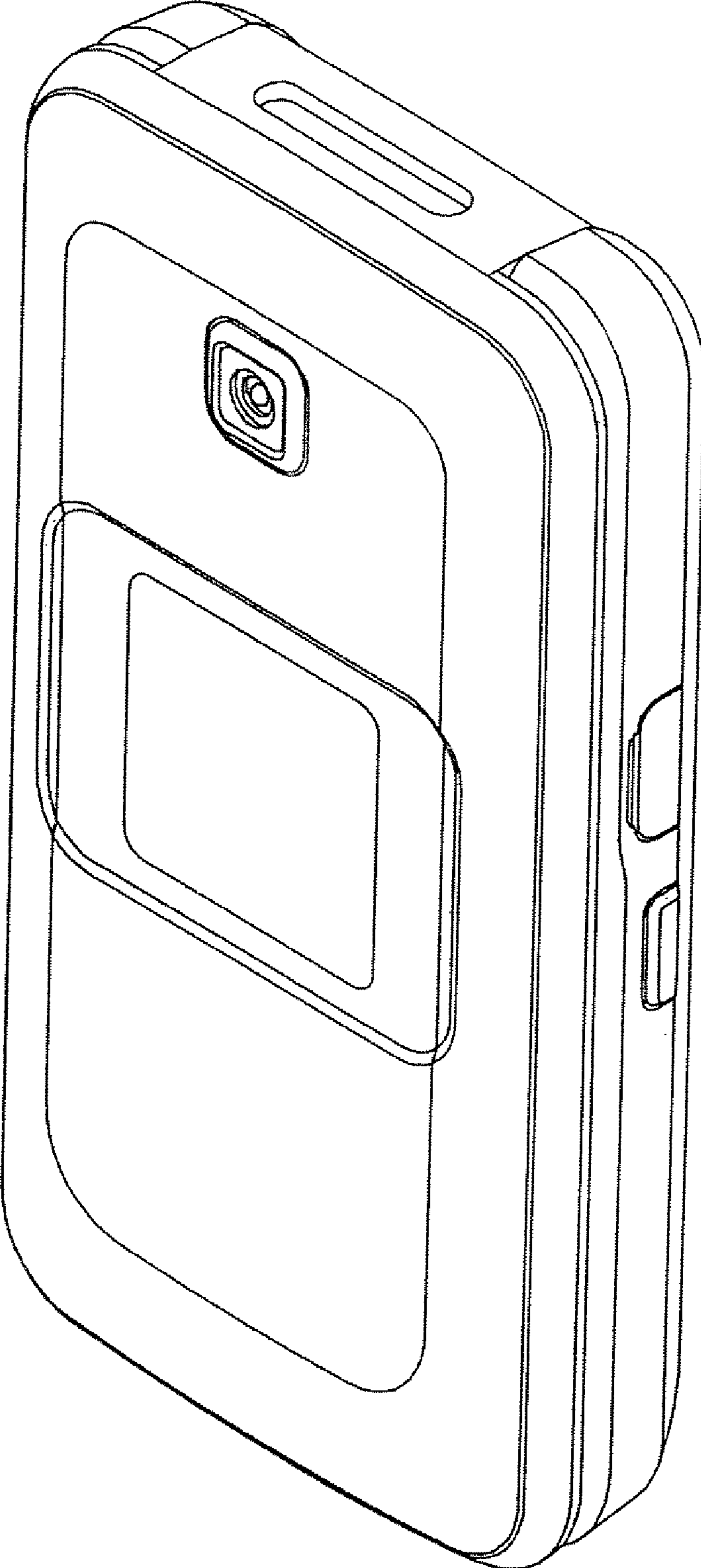


FIG. 2

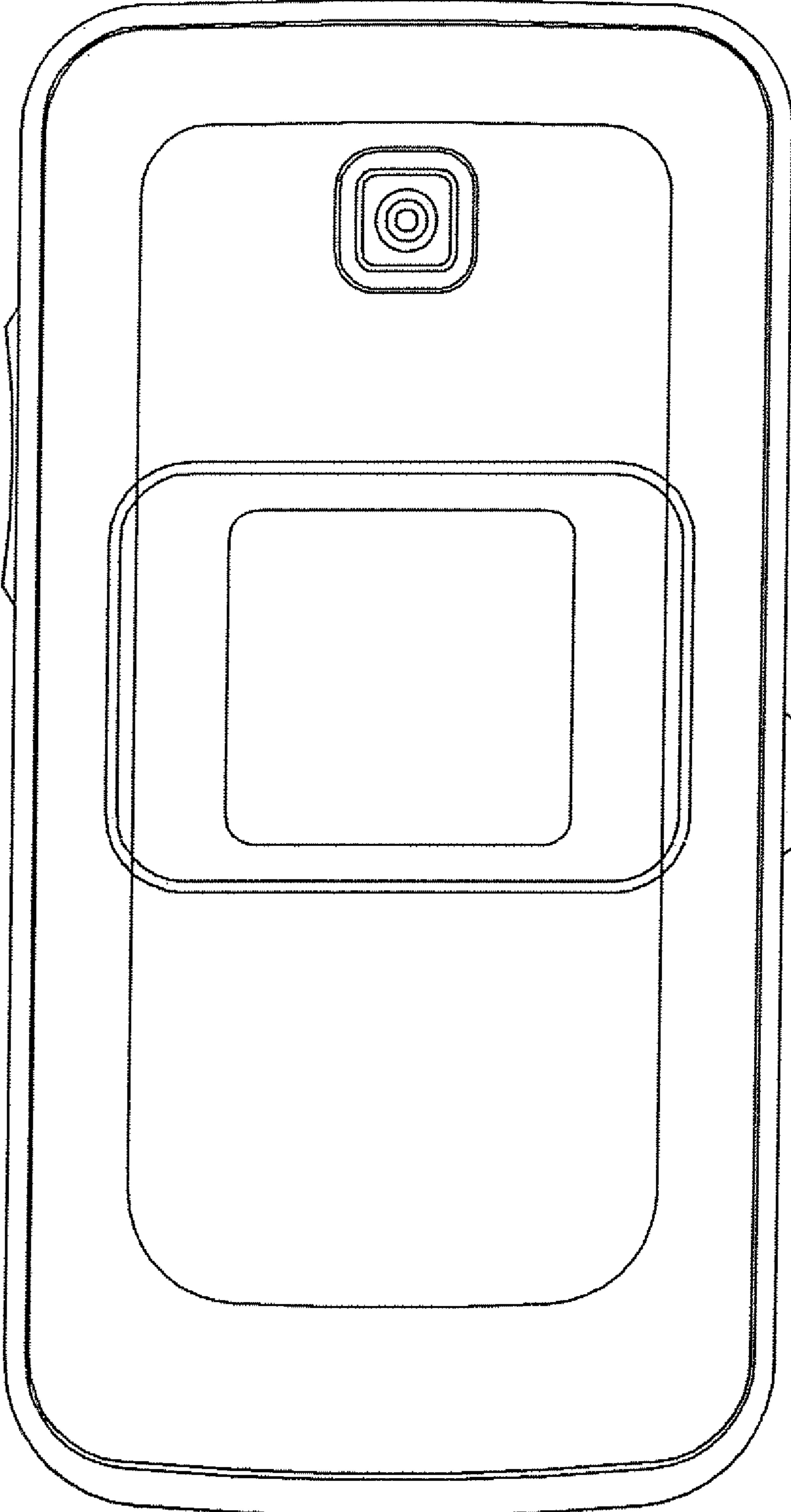


FIG. 3

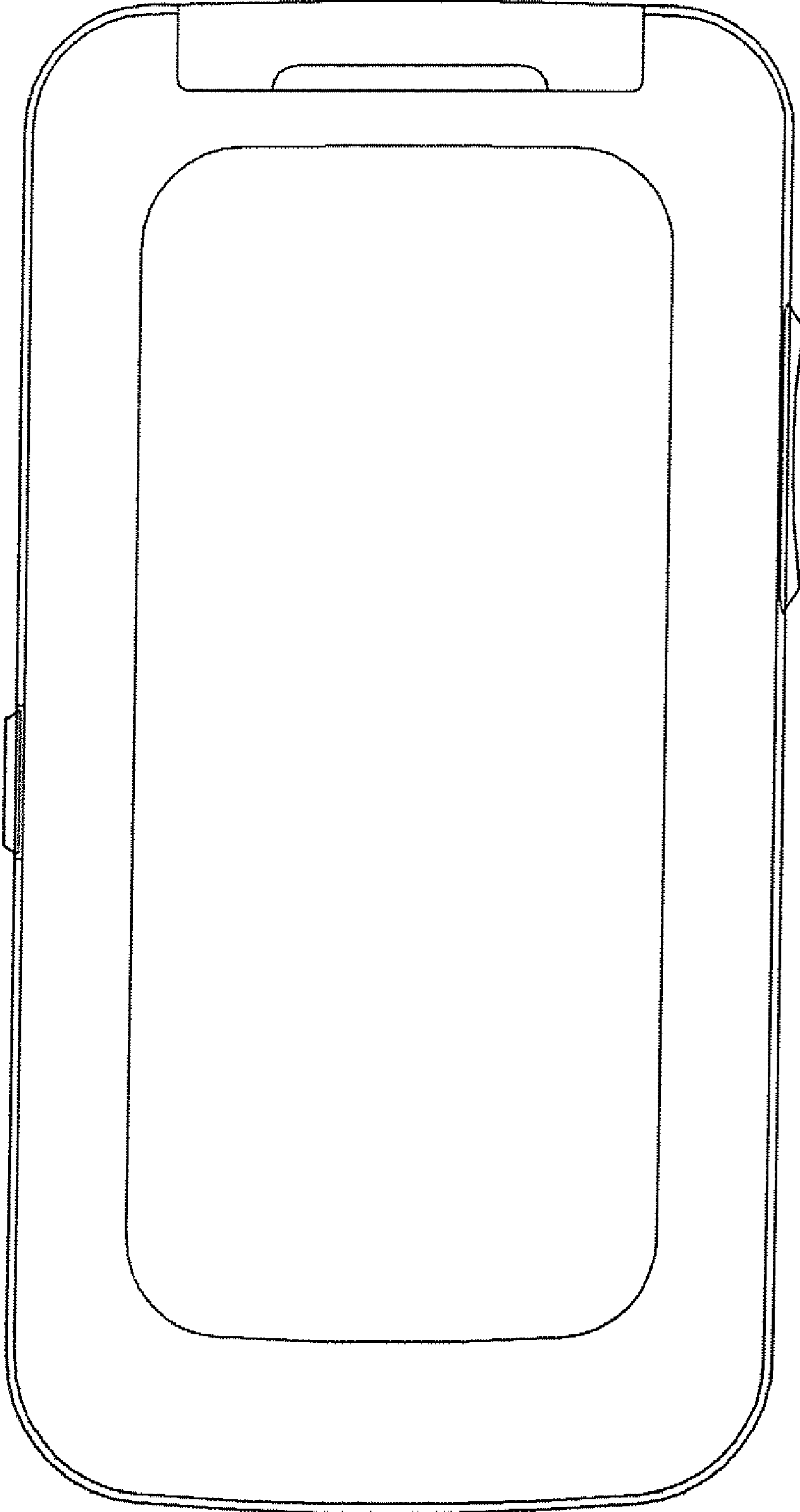


FIG. 4

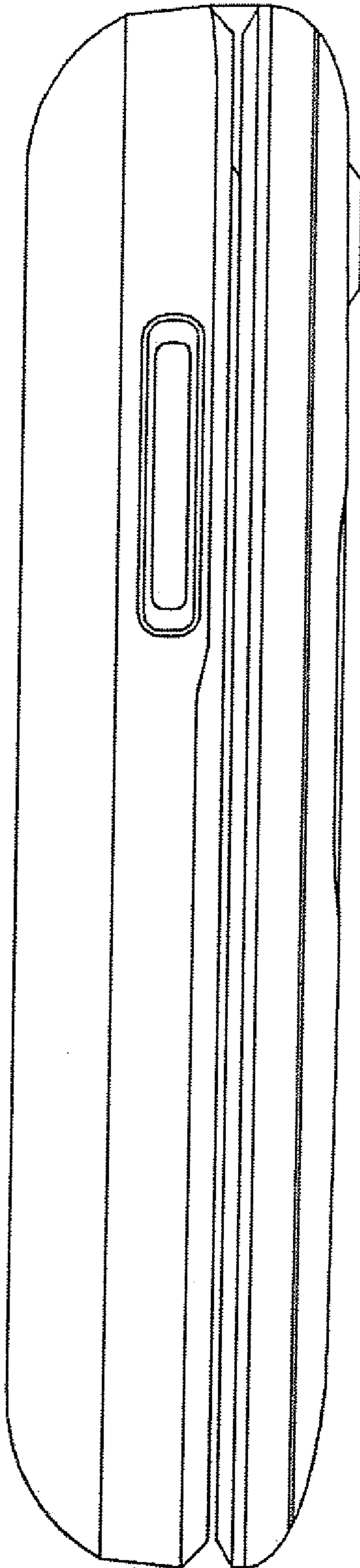


FIG. 5

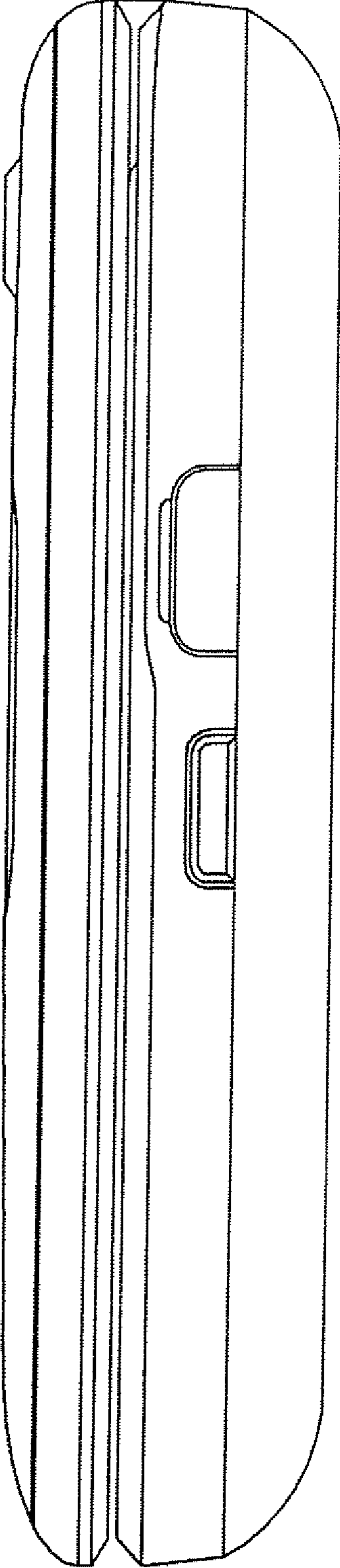


FIG. 6

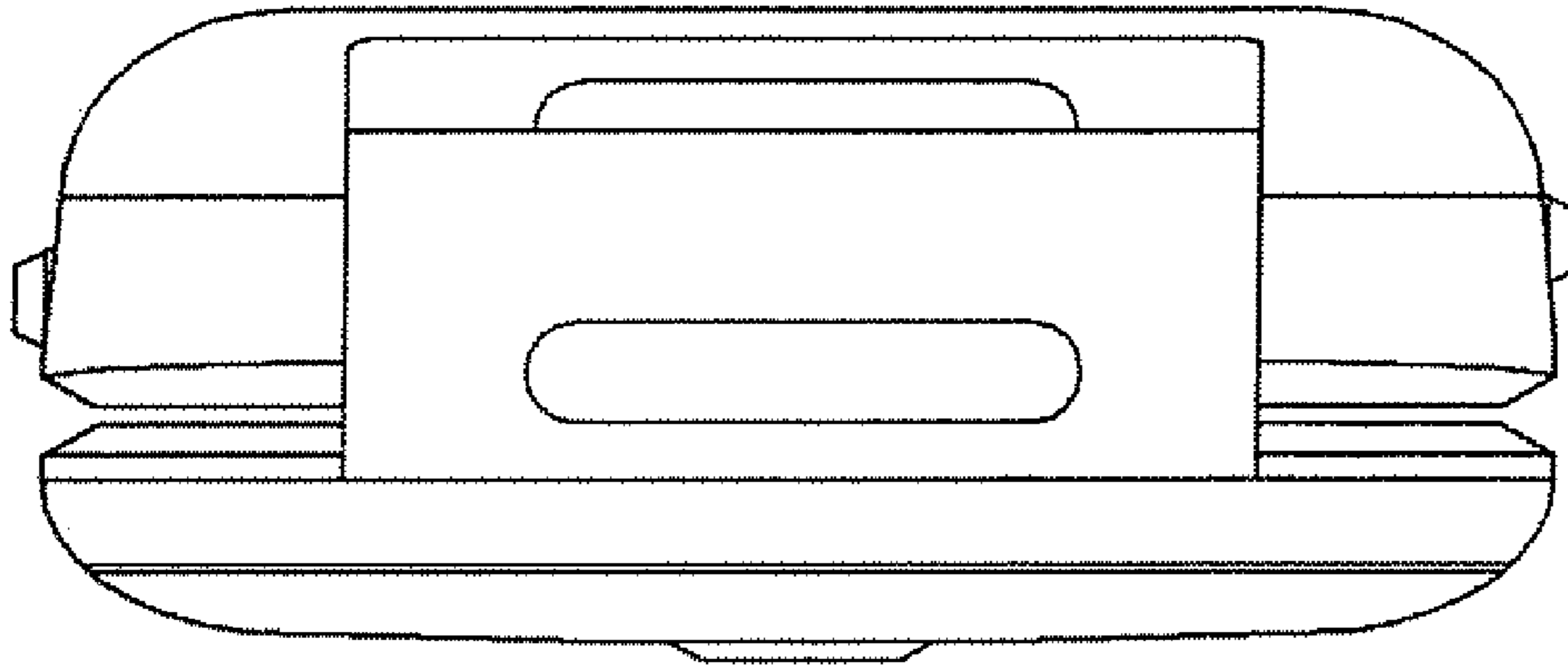


FIG. 7

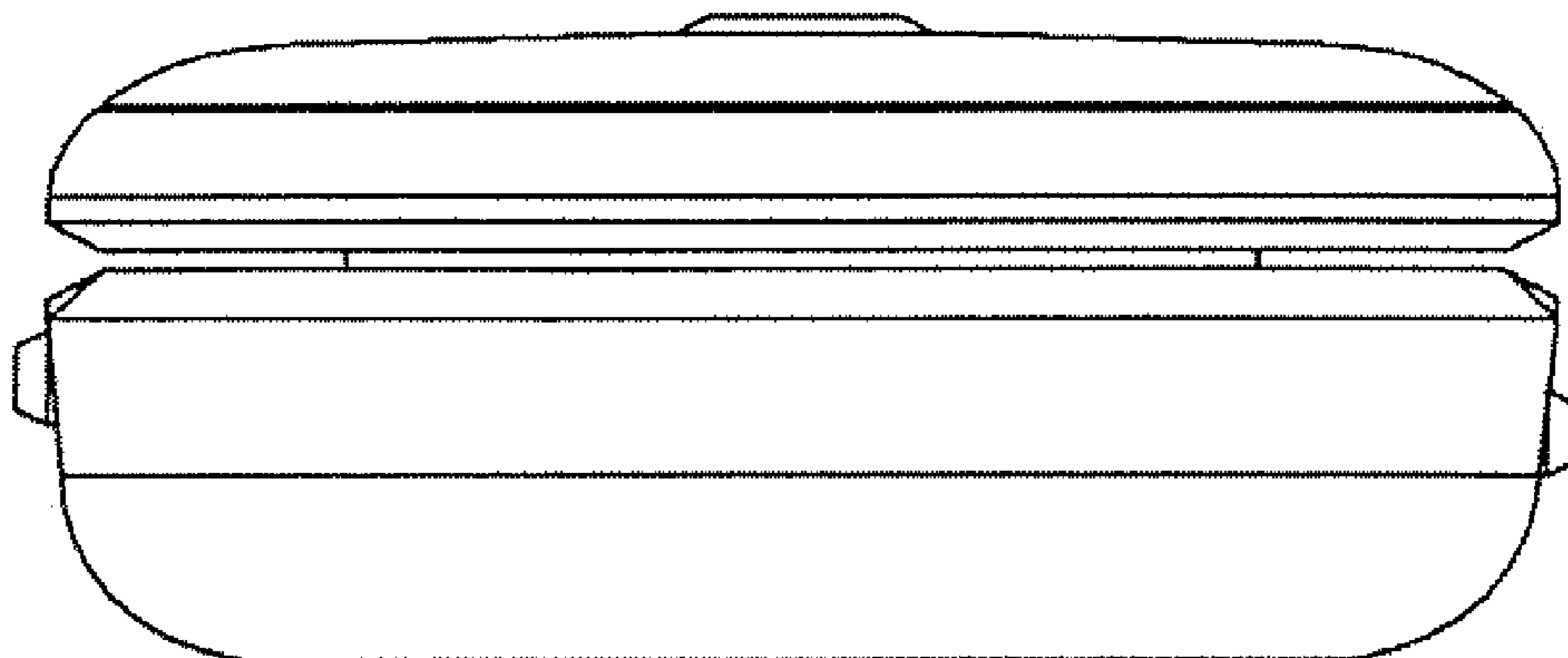


FIG. 8

