



US00D607856S

(12) **United States Design Patent**
Ishii

(10) **Patent No.:** **US D607,856 S**
(45) **Date of Patent:** **** Jan. 12, 2010**

(54) **PORTABLE DATA TRANSCEIVER**

(75) Inventor: **Mitsuo Ishii**, Ageo (JP)

(73) Assignee: **Topcon Positioning Systems, Inc.**,
Livermore, CA (US)

(**) Term: **14 Years**

(21) Appl. No.: **29/334,768**

(22) Filed: **Apr. 1, 2009**

(30) **Foreign Application Priority Data**

Oct. 9, 2008 (JP) 2008-026017

(51) **LOC (9) Cl.** **14-03**

(52) **U.S. Cl.** **D14/137**

(58) **Field of Classification Search** D14/137,
D14/139, 157, 188, 257, 258, 217, 253, 434,
D14/447, 138 R, 138 AA, 138 C, 138 AD,
D14/138 AC, 138 G, 147, 218, 341-347;
D3/218; 455/90.1-90.3, 575.9; 361/814

See application file for complete search history.

(56) **References Cited**

U.S. PATENT DOCUMENTS

D320,991 S *	10/1991	Nagai et al.	D14/251
D360,210 S *	7/1995	Rudkiewicz et al.	D14/253
D411,543 S *	6/1999	Richter	D14/253
6,312,284 B1 *	11/2001	Tsay	439/529
6,366,672 B1 *	4/2002	Tsay	379/446
D466,516 S *	12/2002	Peiker	D14/447
D479,228 S *	9/2003	Sakaguchi et al.	D14/253
D480,719 S *	10/2003	Yuen	D14/253
D497,049 S *	10/2004	Lodato et al.	D3/218
D502,313 S *	3/2005	Lodato et al.	D3/218
D504,564 S *	5/2005	Robertson et al.	D3/218
D517,310 S *	3/2006	Aron et al.	D3/218
D517,557 S *	3/2006	Brassard	D14/434
D520,013 S *	5/2006	Yang	D14/434
D521,990 S *	5/2006	Richter	D14/253

D542,287 S *	5/2007	Chung et al.	D14/252
D544,486 S *	6/2007	Hussaini et al.	D14/434
D544,487 S *	6/2007	Hussaini et al.	D14/434
D569,379 S *	5/2008	Champion et al.	D14/439
D582,894 S *	12/2008	Richter	D14/217
D592,206 S *	5/2009	O'Brien	D14/253
2002/0159587 A1 *	10/2002	Chang	379/454
2002/0176571 A1 *	11/2002	Louh	379/455
2004/0254002 A1 *	12/2004	Tsay	455/575.9
2005/0288068 A1 *	12/2005	Tsay	455/569.2
2009/0176473 A1 *	7/2009	Fellner	455/404.1

OTHER PUBLICATIONS

(RLN5385) Hard Leather Case with High Activity Swivel, [online], [retrieved on Aug. 26, 2009]. Retrieved from Internet, <URL: http://www.talktwoway.com>.*

* cited by examiner

Primary Examiner—Jeffrey D Asch

Assistant Examiner—Bridget L Eland

(74) *Attorney, Agent, or Firm*—Oliff & Berridge, PLC

(57) **CLAIM**

The ornamental design for a portable data transceiver, as shown and described.

DESCRIPTION

FIG. 1 is a perspective view of a portable data transceiver;

FIG. 2 is a front view thereof;

FIG. 3 is a top view thereof;

FIG. 4 is a right-side view thereof;

FIG. 5 is a left-side view thereof;

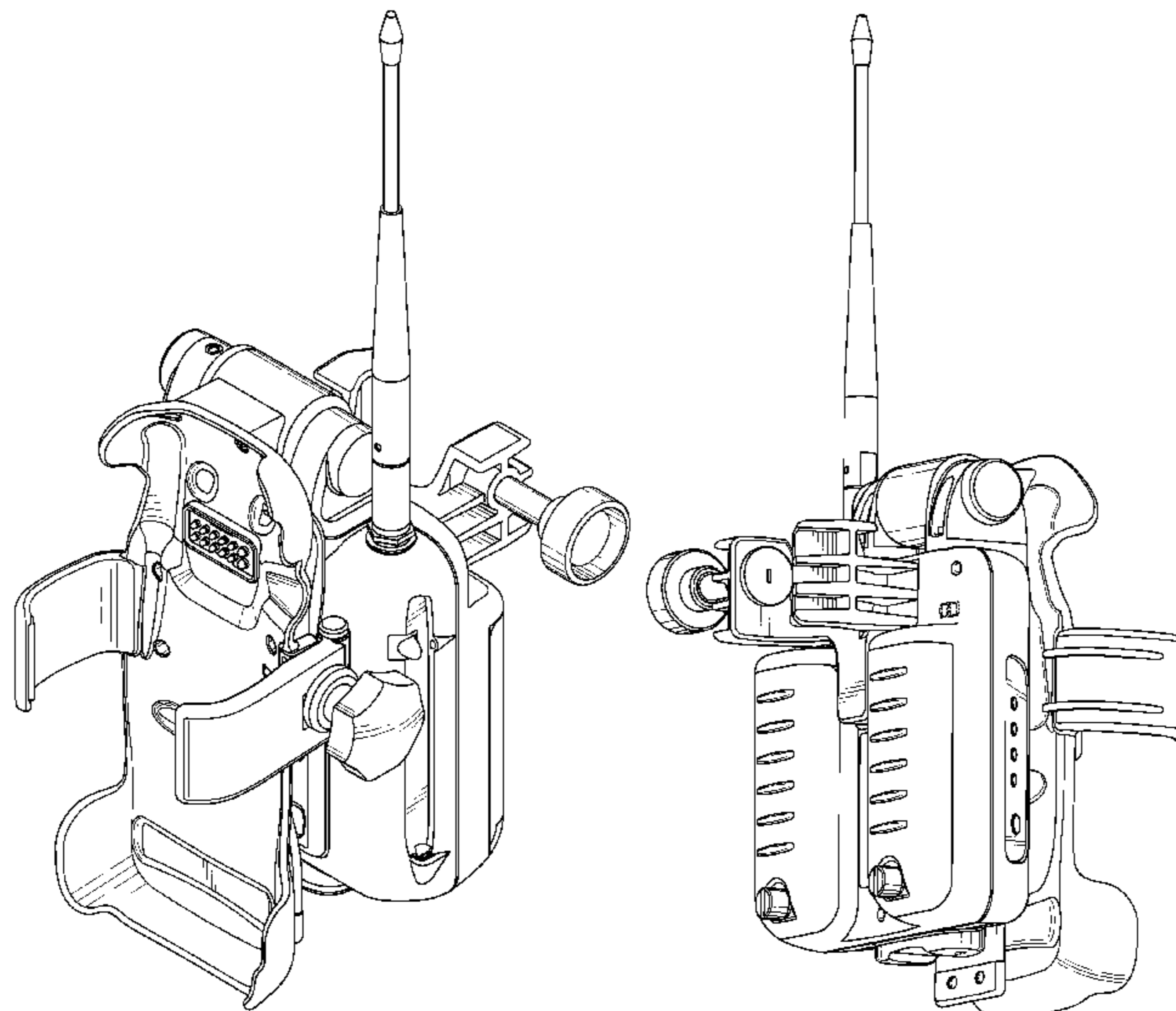
FIG. 6 is a rear view thereof;

FIG. 7 is a bottom view thereof; and,

FIG. 8 is another perspective view thereof.

The broken lines depict environmental subject matter only and form no part of the claimed design.

1 Claim, 8 Drawing Sheets



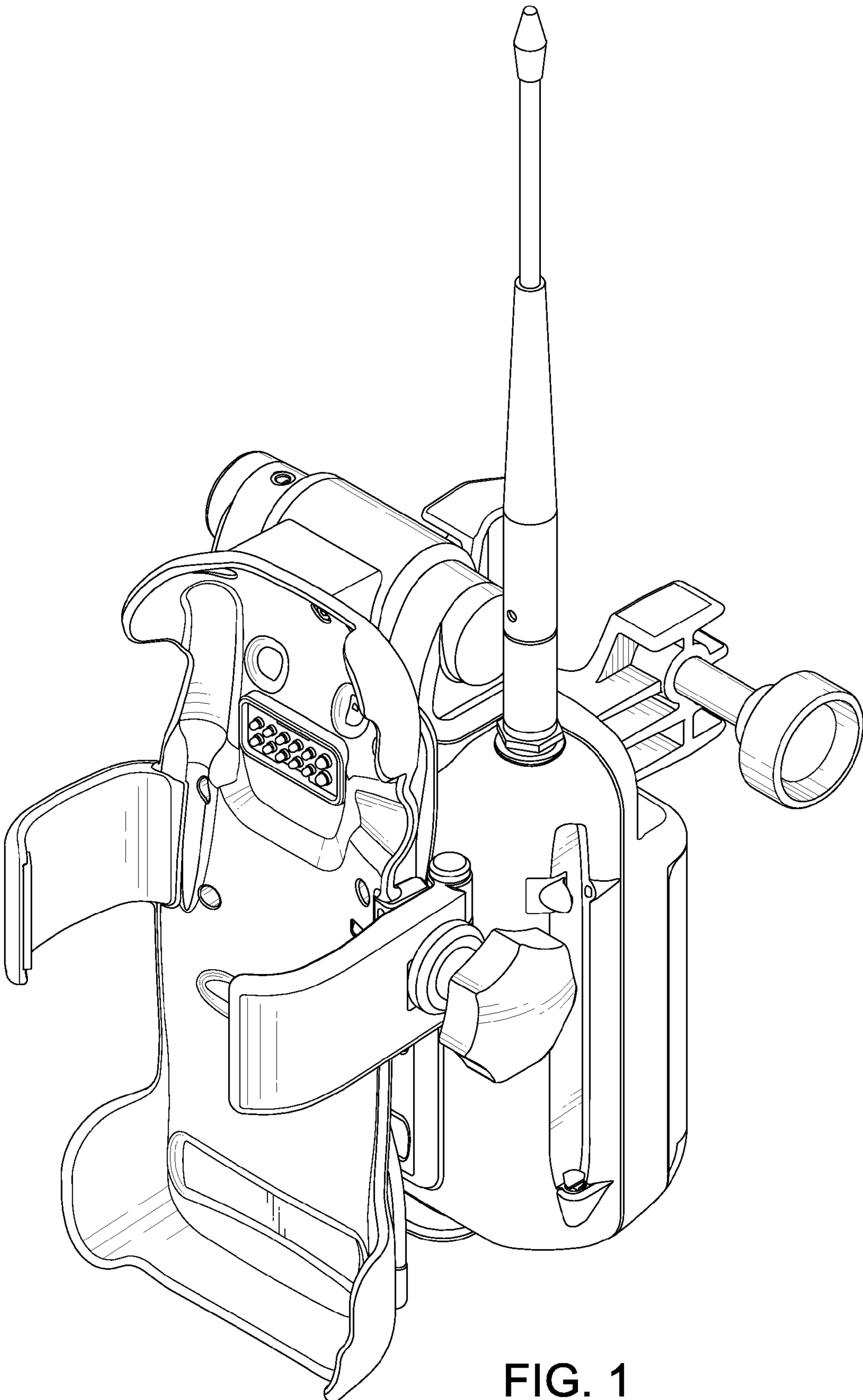


FIG. 1

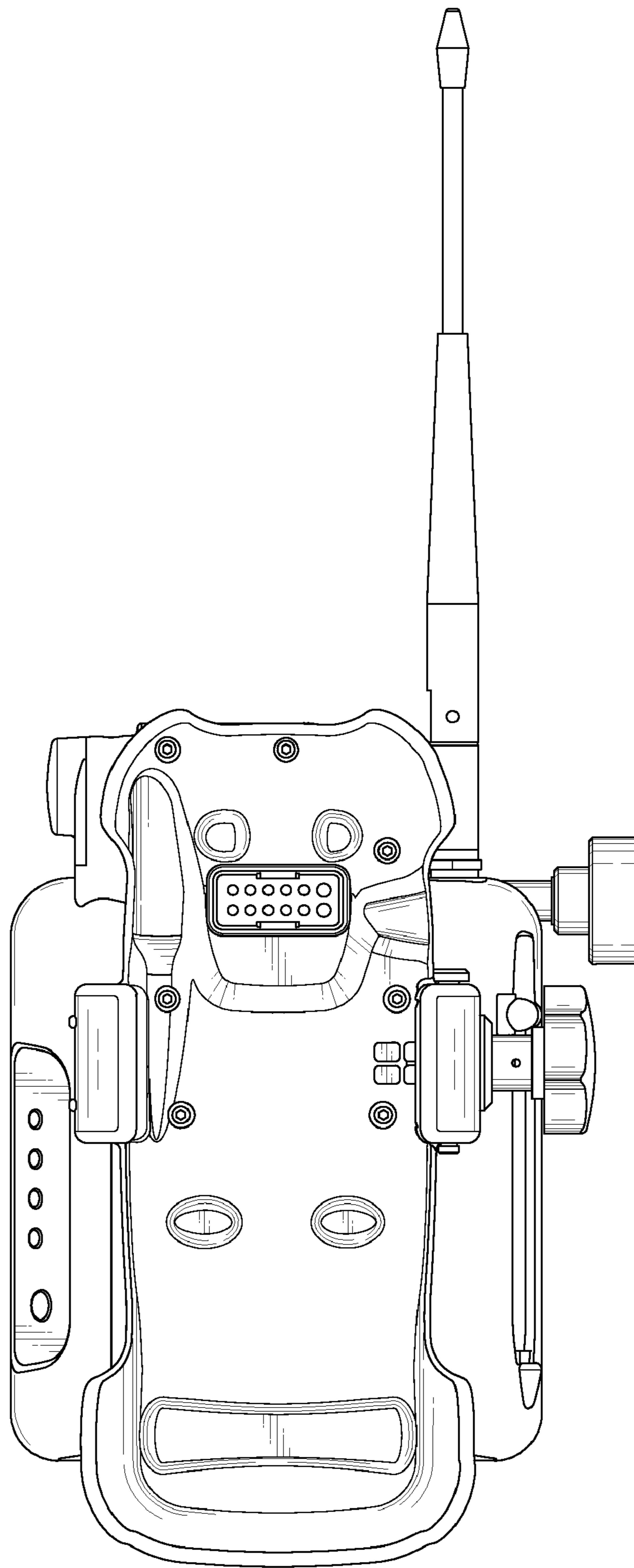


FIG. 2

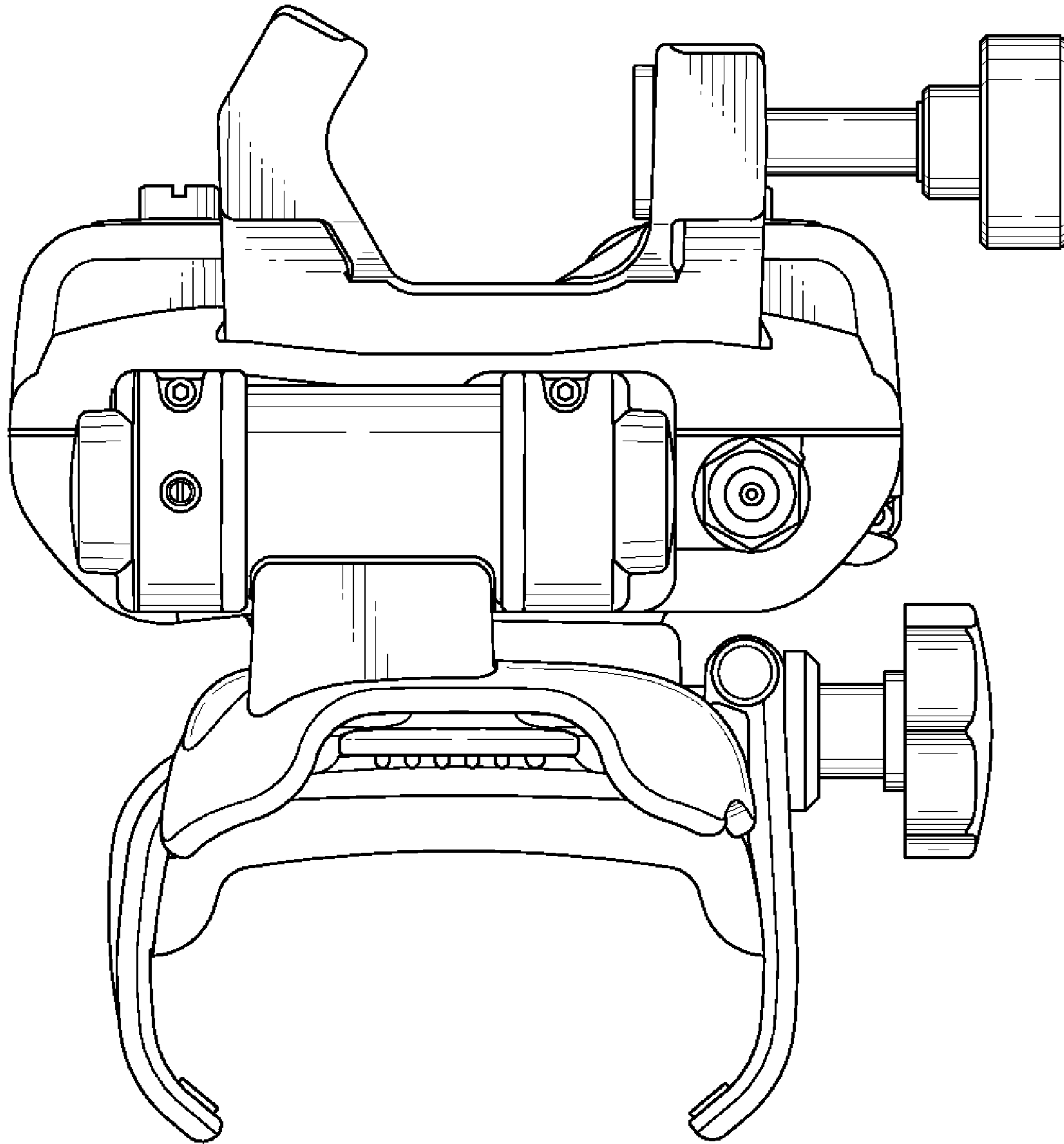


FIG. 3

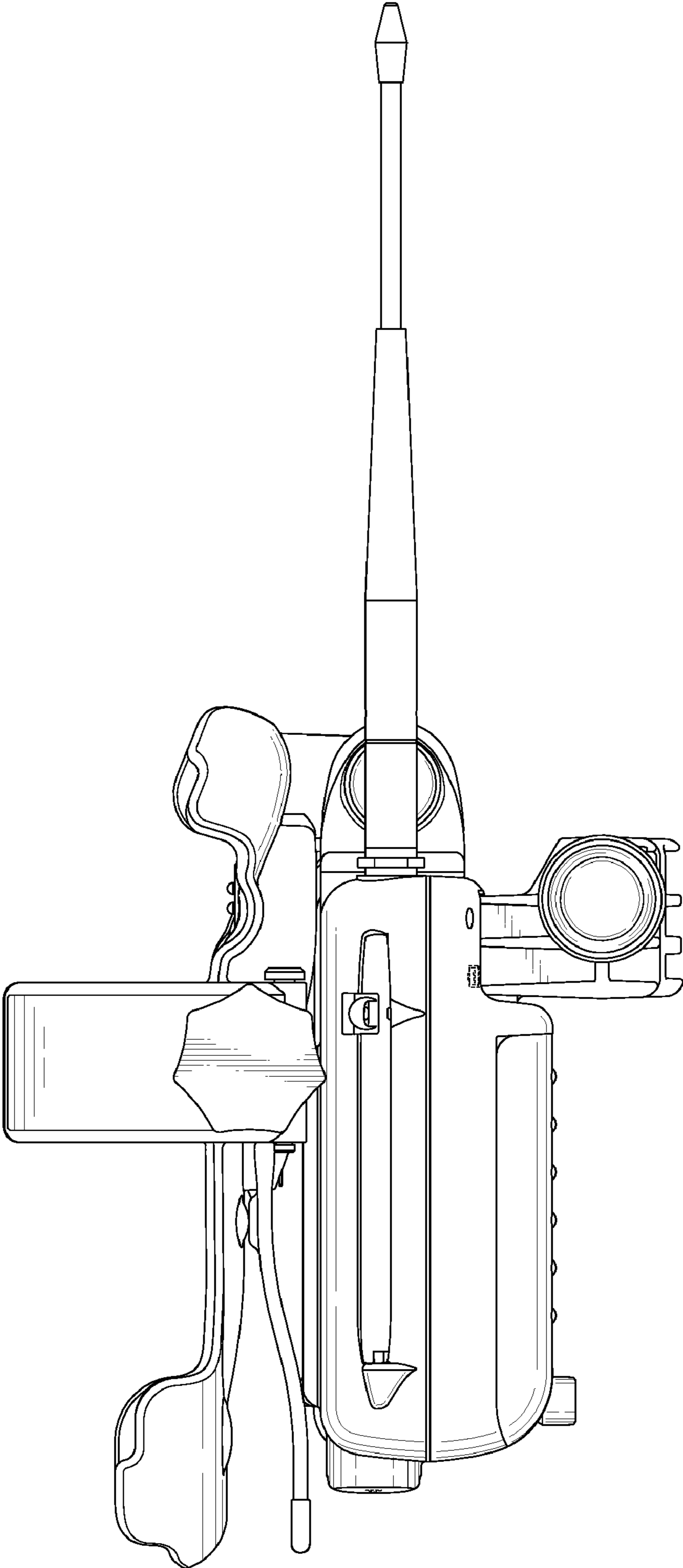


FIG. 4

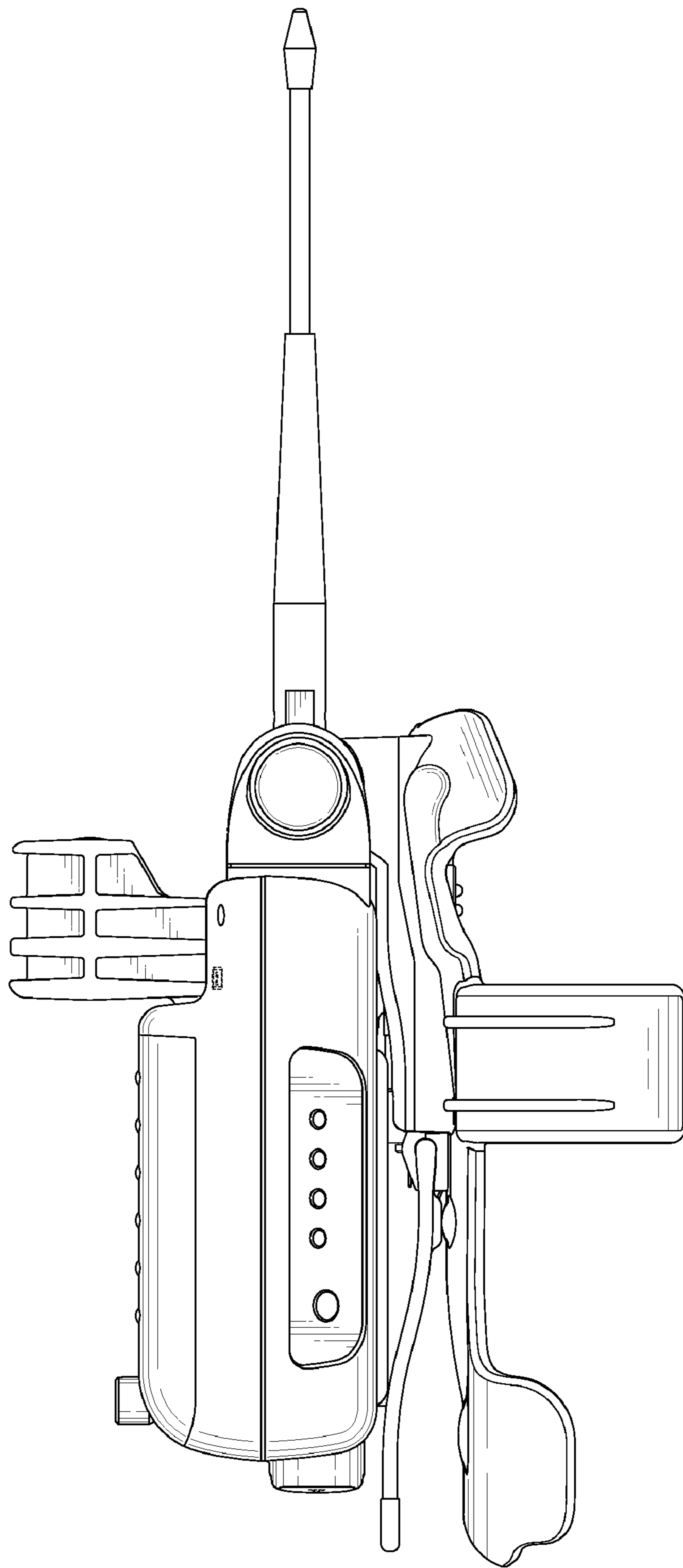


FIG. 5

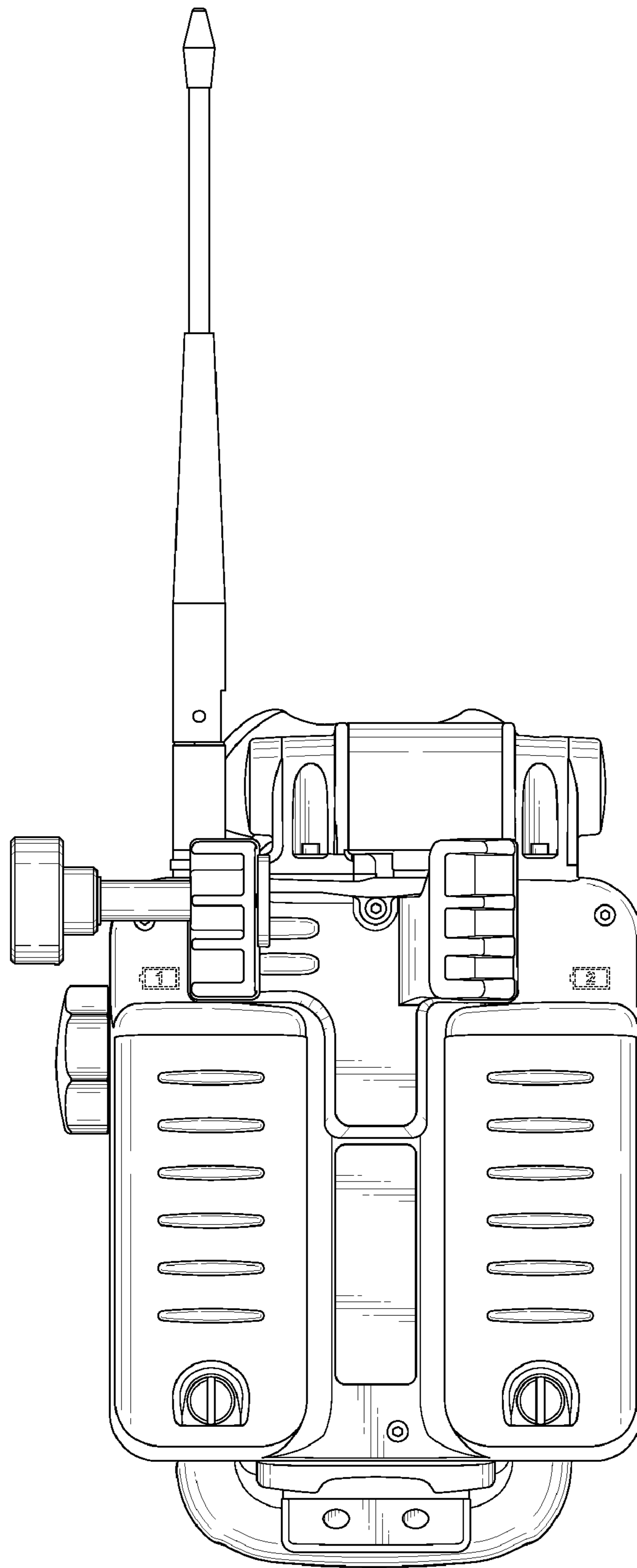


FIG. 6

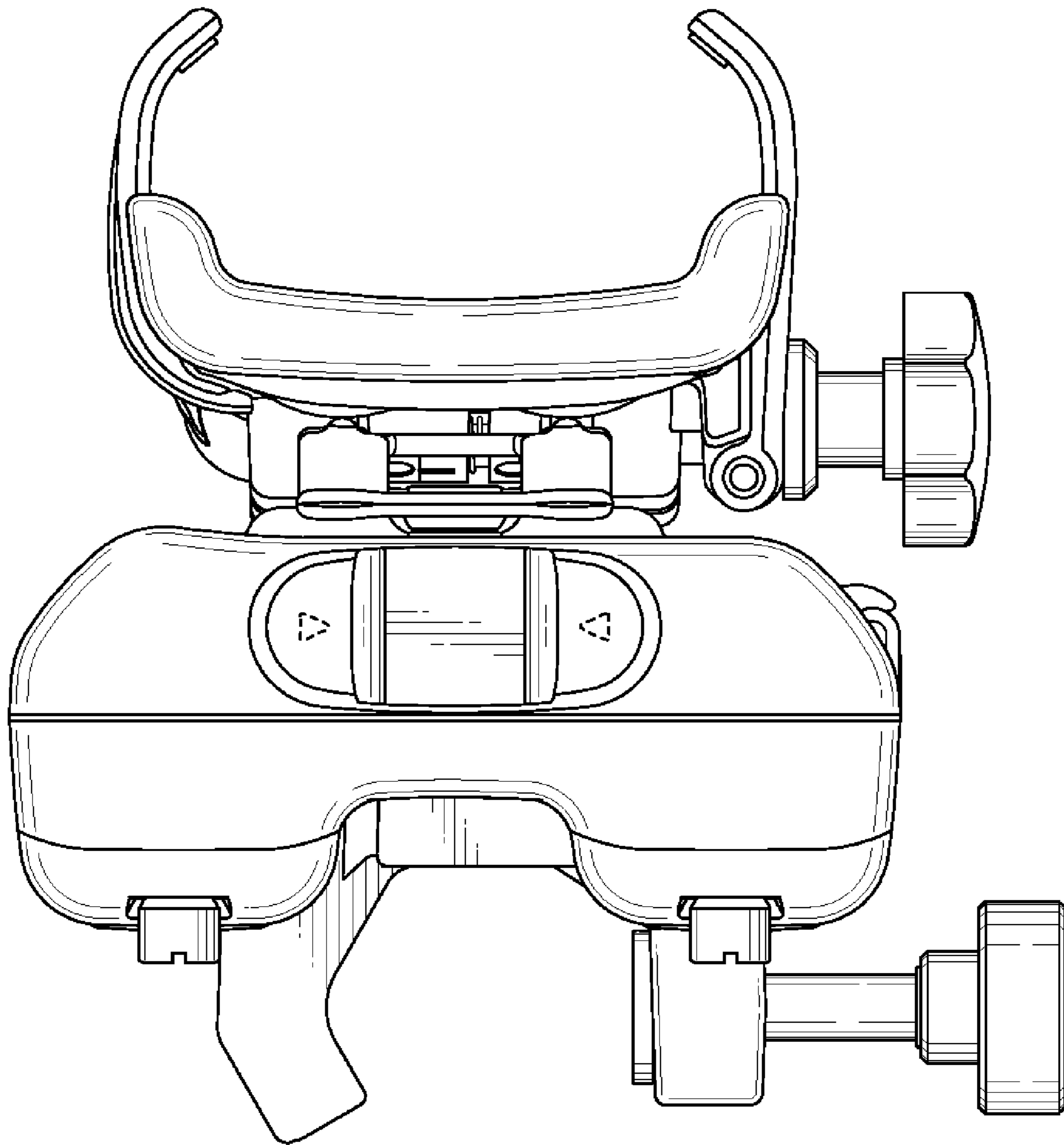


FIG. 7

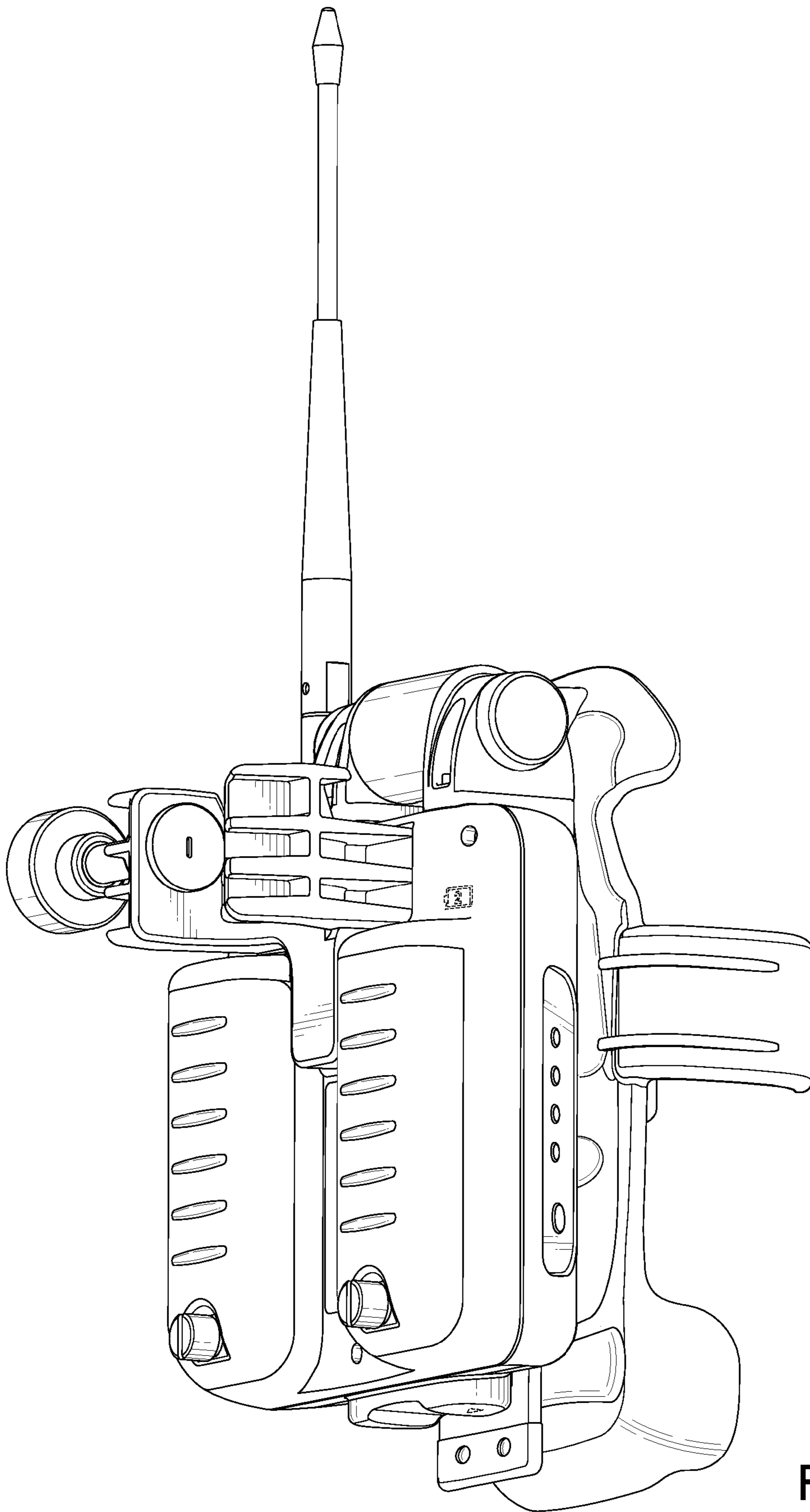


FIG. 8