



US00D607853S

(12) **United States Design Patent**  
**Kong**

(10) **Patent No.:** **US D607,853 S**

(45) **Date of Patent:** **\*\* Jan. 12, 2010**

(54) **LIGHT-EMITTING DIODE (LED)**

D597,972 S \* 8/2009 Kobayakawa ..... D13/180  
D598,872 S \* 8/2009 In et al. .... D13/180

(75) Inventor: **Sung Min Kong**, Gwangju (KR)

\* cited by examiner

(73) Assignee: **LG Innotek Co., Ltd.**, Seoul (KR)

*Primary Examiner*—Selina Sikder

(\*\*) Term: **14 Years**

(74) *Attorney, Agent, or Firm*—Birch, Stewart, Kolasch & Birch, LLP

(21) Appl. No.: **29/332,945**

(57) **CLAIM**

(22) Filed: **Feb. 27, 2009**

The ornamental design for a light-emitting diode (LED), as shown and described.

(30) **Foreign Application Priority Data**

Sep. 3, 2008 (KR) ..... 30-2008-0038213

**DESCRIPTION**

(51) **LOC (9) Cl.** ..... **13-03**

FIG. 1 is a top front perspective of the light-emitting diode (LED) showing my new design;

(52) **U.S. Cl.** ..... **D13/180**

FIG. 2 is a front view thereof;

(58) **Field of Classification Search** ..... D13/180;

FIG. 3 is a rear view thereof wherein the broken lines are shown for illustrative purpose only and forms no part of the claimed design;

D26/2; 257/79, 80, 81, 88, 89, 95, 98, 99,

257/100; 313/483, 498, 500; 362/555, 800  
See application file for complete search history.

FIG. 4 is a left side view thereof;

(56) **References Cited**

FIG. 5 is a right side view thereof;

**U.S. PATENT DOCUMENTS**

FIG. 6 is a top plan view thereof; and,

D519,943 S \* 5/2006 Kamada ..... D13/180

FIG. 7 is a bottom plan view thereof.

D565,516 S \* 4/2008 Kamada ..... D13/180

D593,965 S \* 6/2009 Park et al. .... D13/180

**1 Claim, 3 Drawing Sheets**

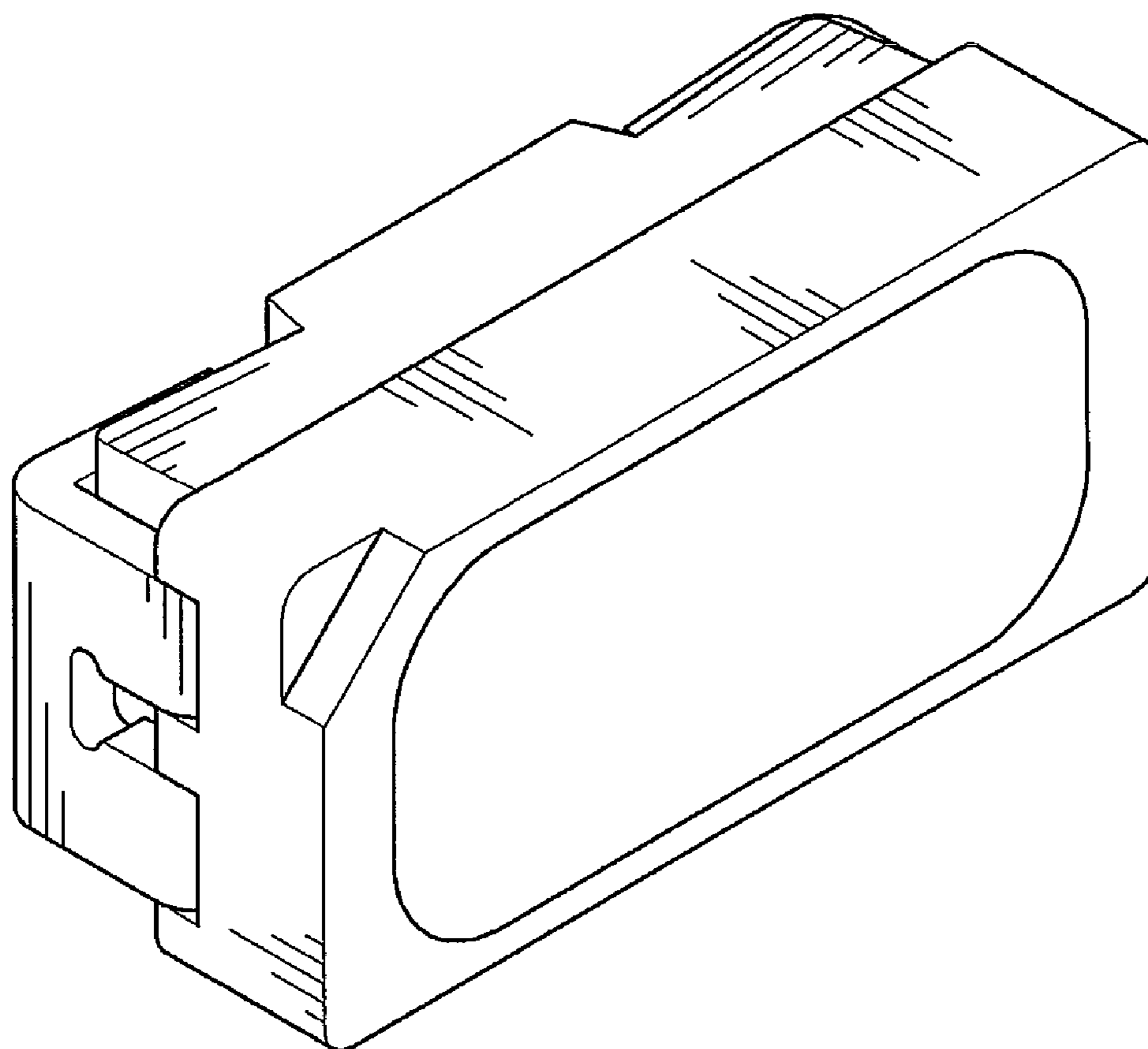


FIG. 1

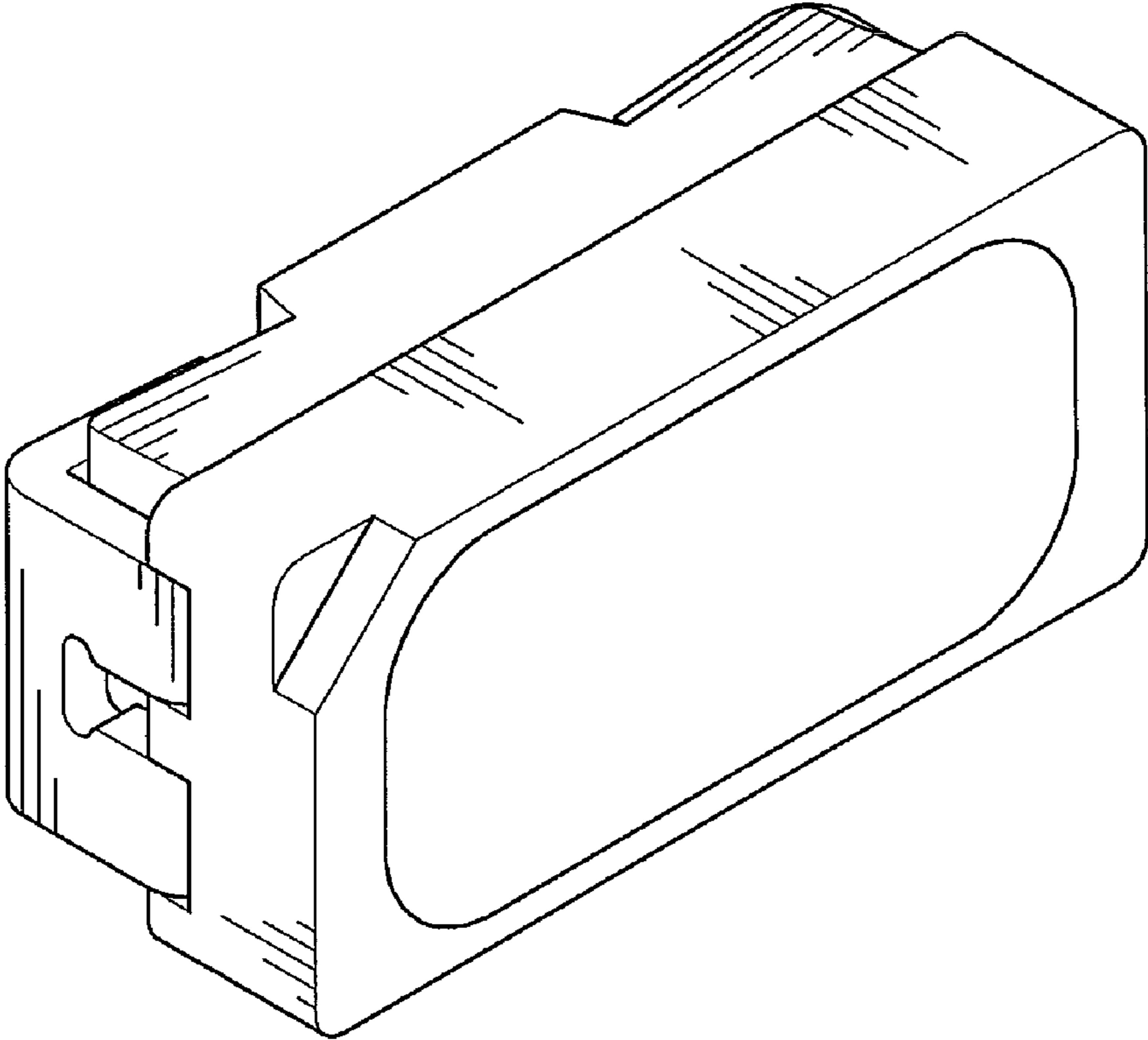


FIG. 2

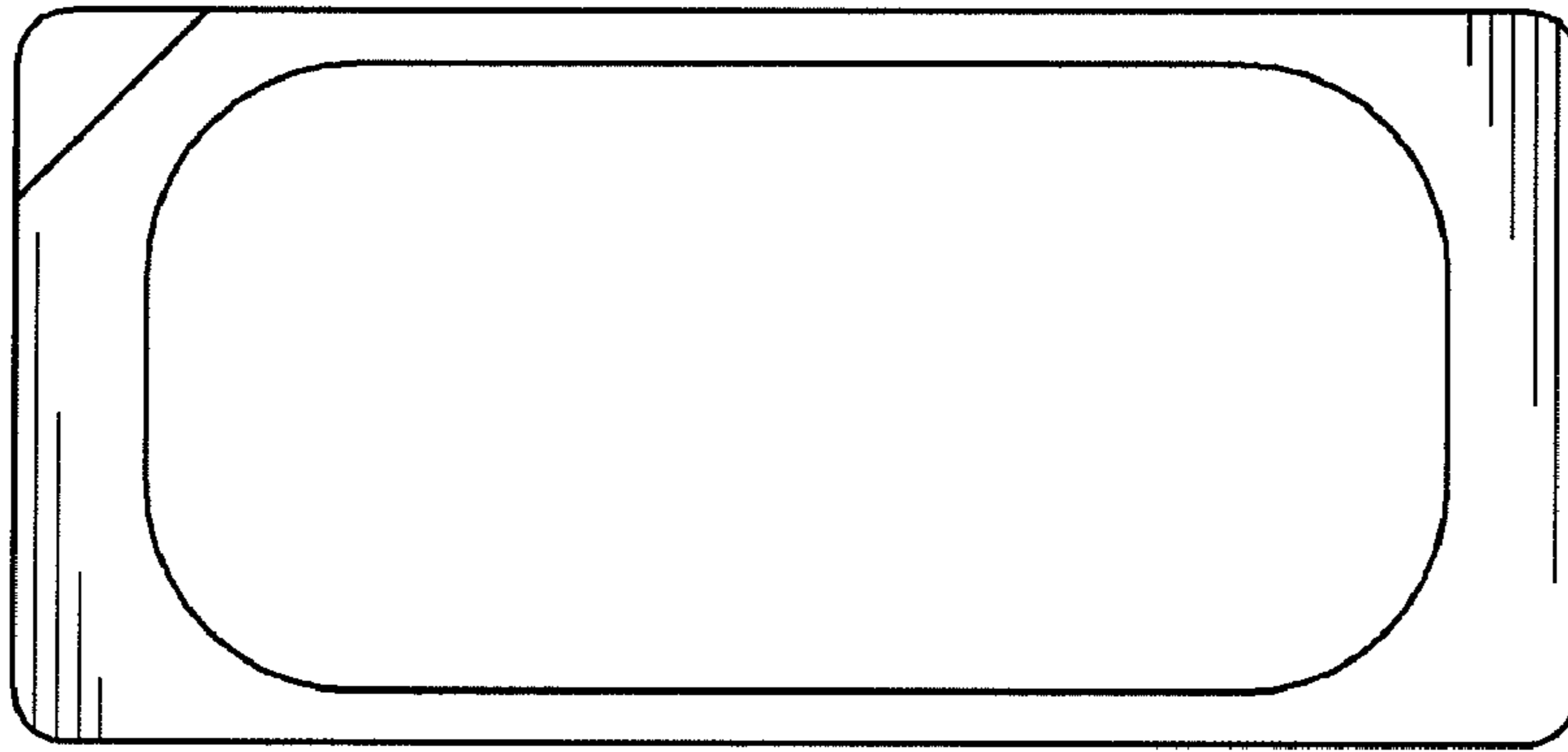


Fig. 3

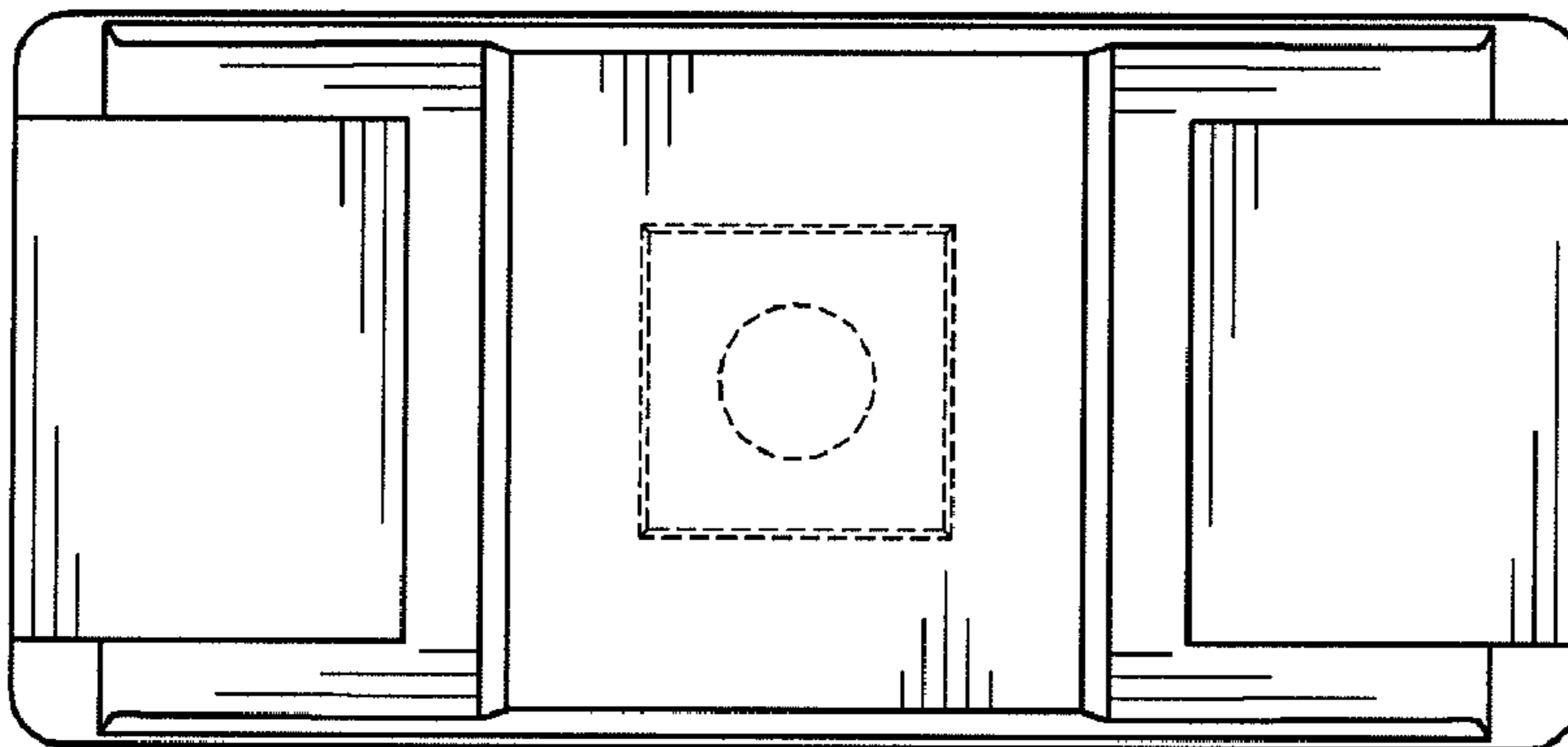


FIG. 4

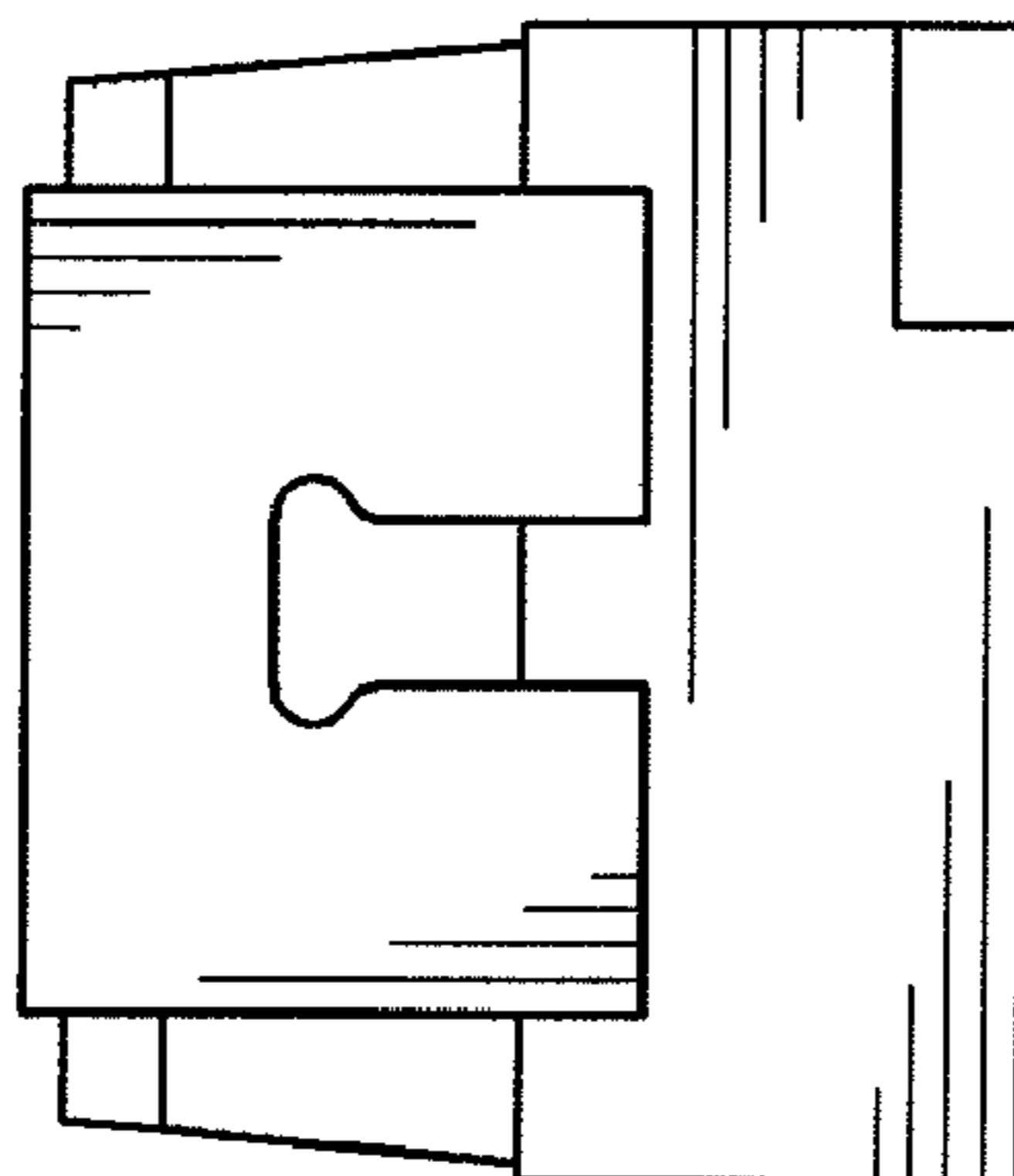


FIG. 5

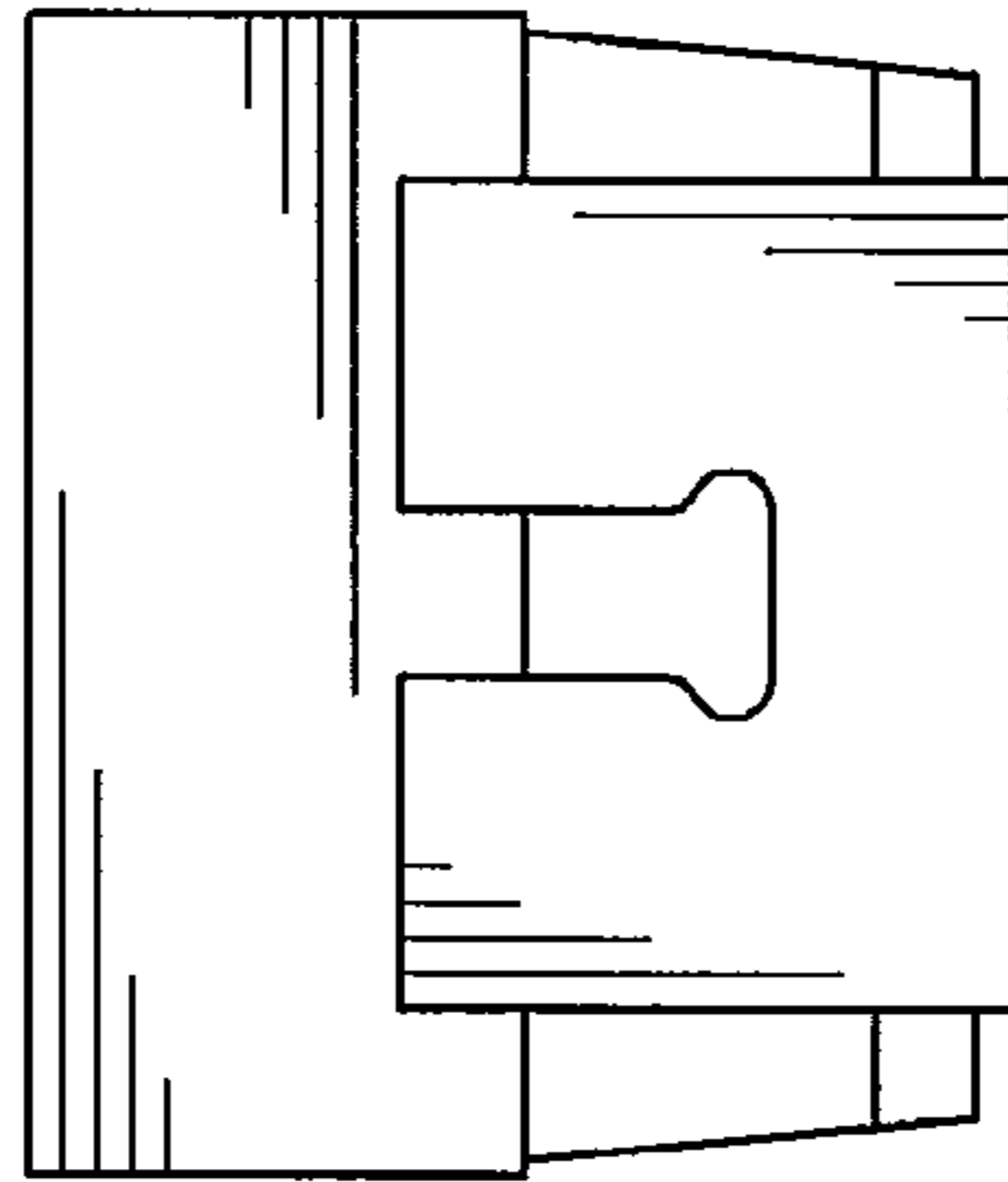


FIG. 6

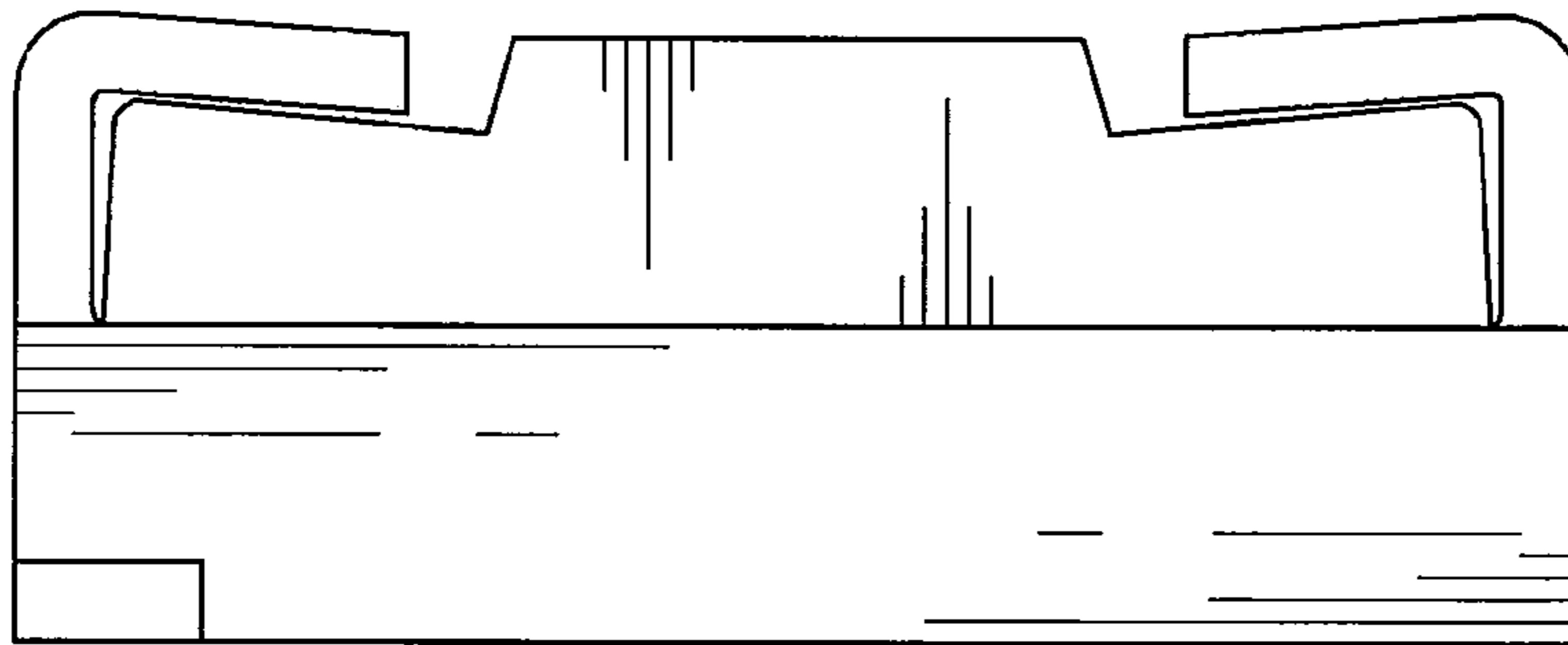


FIG. 7

