



US00D607850S

(12) **United States Design Patent**
Kurisasi

(10) **Patent No.:** **US D607,850 S**
(45) **Date of Patent:** **** Jan. 12, 2010**

(54) **DETECTION SWITCH**

(75) Inventor: **Shogo Kurisasi**, Tsukubamirai (JP)

(73) Assignee: **SMC Corporation**, Chiyoda-ku, Tokyo (JP)

(**) Term: **14 Years**

(21) Appl. No.: **29/313,136**

(22) Filed: **Dec. 10, 2008**

(30) **Foreign Application Priority Data**

Jun. 26, 2008 (JP) 2008-016511

(51) **LOC (9) Cl.** **13-03**

(52) **U.S. Cl.** **D13/171; D13/158**

(58) **Field of Classification Search** D13/158,
D13/162, 171; D10/49, 85; D23/233; 73/861.22,
73/861.52; 200/81 R, 81.4, 81.5; 250/221;
340/540, 555; 361/837

See application file for complete search history.

(56) **References Cited**

U.S. PATENT DOCUMENTS

D313,397 S * 1/1991 Willcox D13/158
5,808,296 A * 9/1998 McMonagle et al. 250/221
6,555,806 B2 * 4/2003 Okamoto 250/221
6,717,515 B1 * 4/2004 Osako et al. 340/540
6,944,359 B2 * 9/2005 Kamei et al. 385/12

7,032,461 B2 * 4/2006 Ueki et al. 73/861.22
7,098,441 B2 * 8/2006 Yamaguchi et al. 250/221
D568,255 S * 5/2008 Kurisasi et al. D13/158
7,415,895 B2 * 8/2008 Kurisasi et al. 73/861.52
2009/0122511 A1 * 5/2009 Tokumoto 361/837

* cited by examiner

Primary Examiner—Selina Sikder

(74) *Attorney, Agent, or Firm*—Yokoi & Co., U.S.A., Inc.;
Peter Ganjian

(57) **CLAIM**

The ornamental design for a detection switch, as shown and described.

DESCRIPTION

FIG. 1 shows a front view of a detection switch showing my new design;

FIG. 2 shows a rear view thereof;

FIG. 3 shows a right side view thereof;

FIG. 4 shows a left side view thereof;

FIG. 5 shows a top view thereof;

FIG. 6 shows a bottom view thereof;

FIG. 7 shows a top, front and left side perspective view thereof; and,

FIG. 8 shows a bottom, front and right side perspective view thereof.

1 Claim, 4 Drawing Sheets

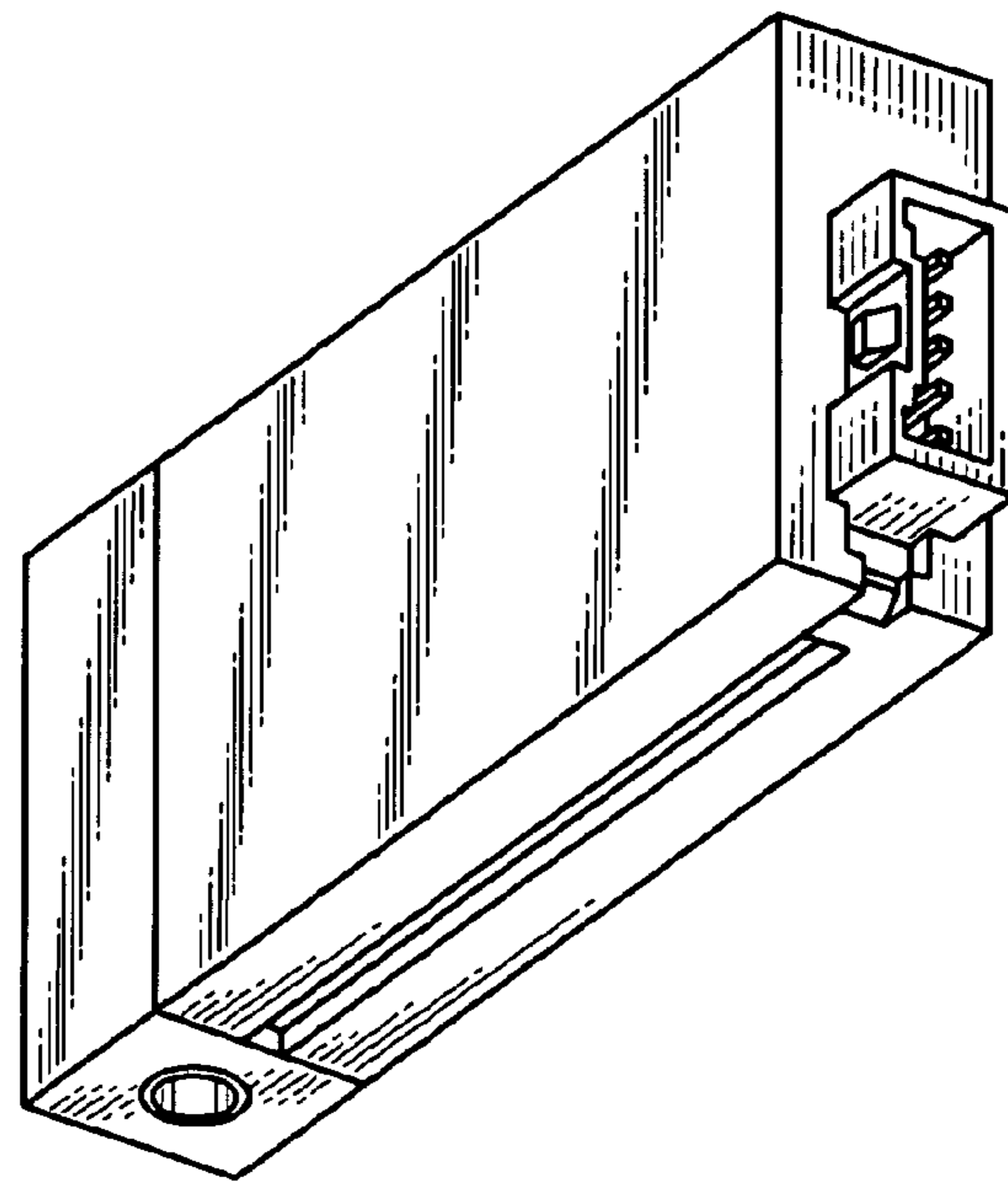
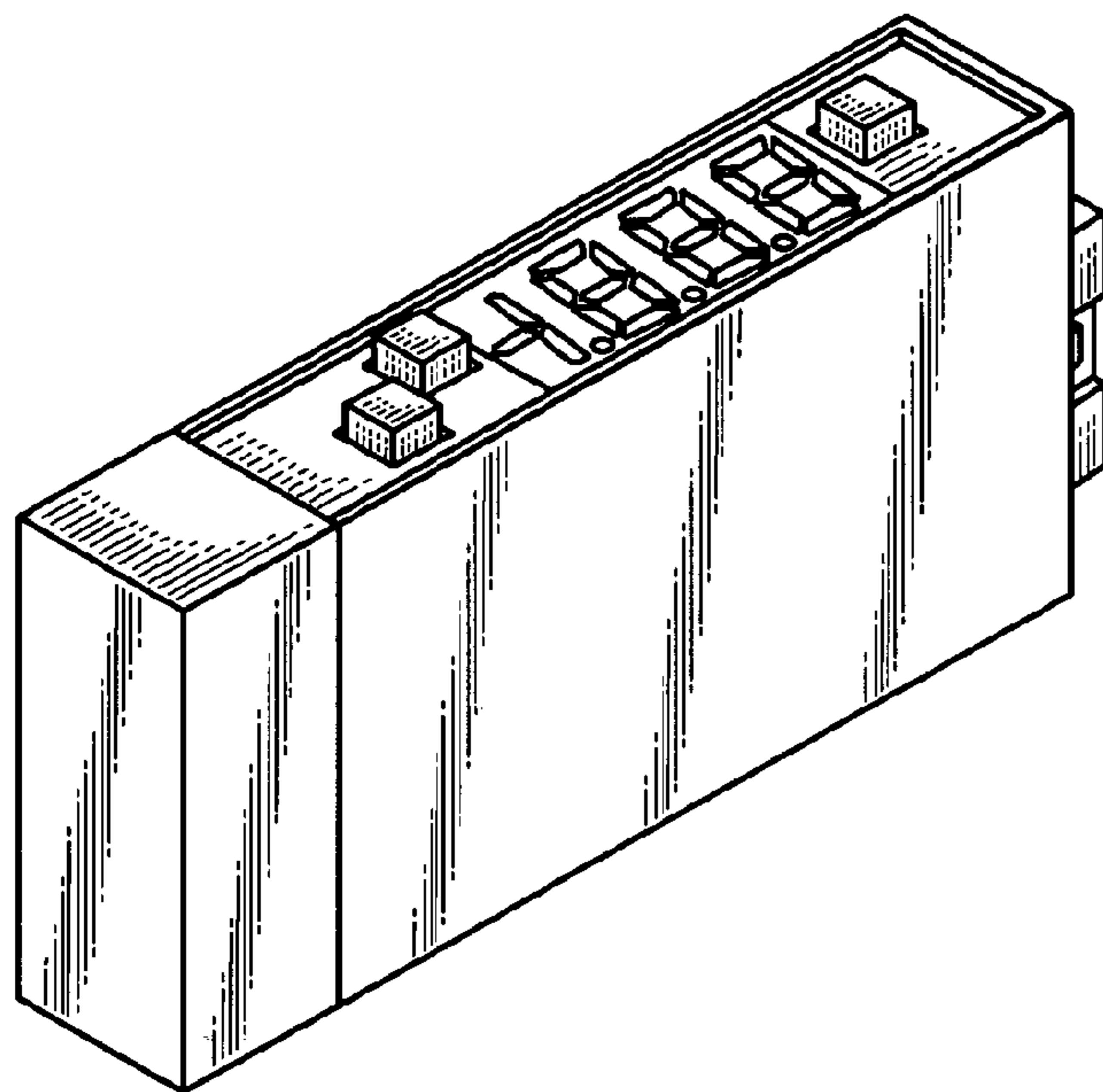


FIG. 1

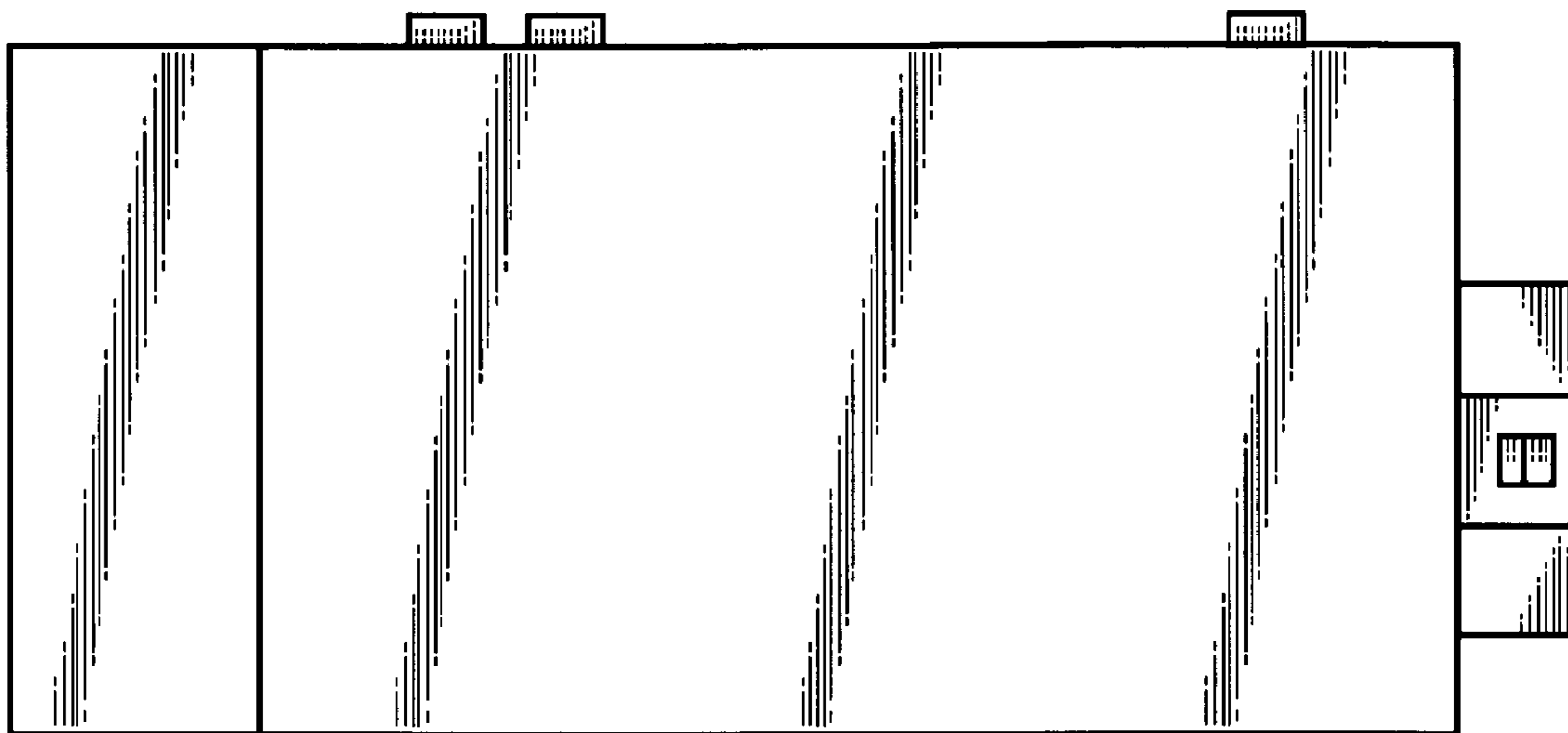


FIG. 2

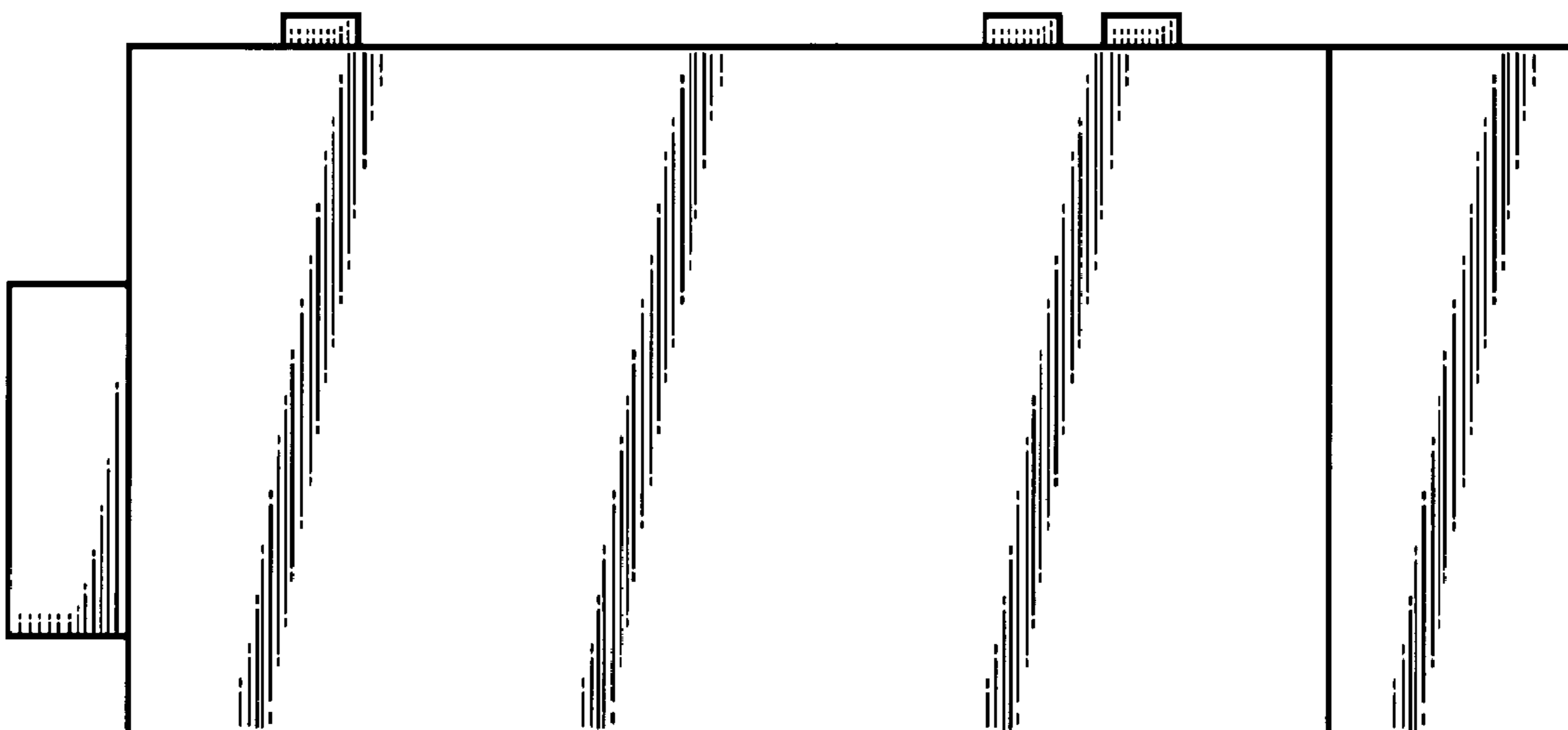


FIG. 3

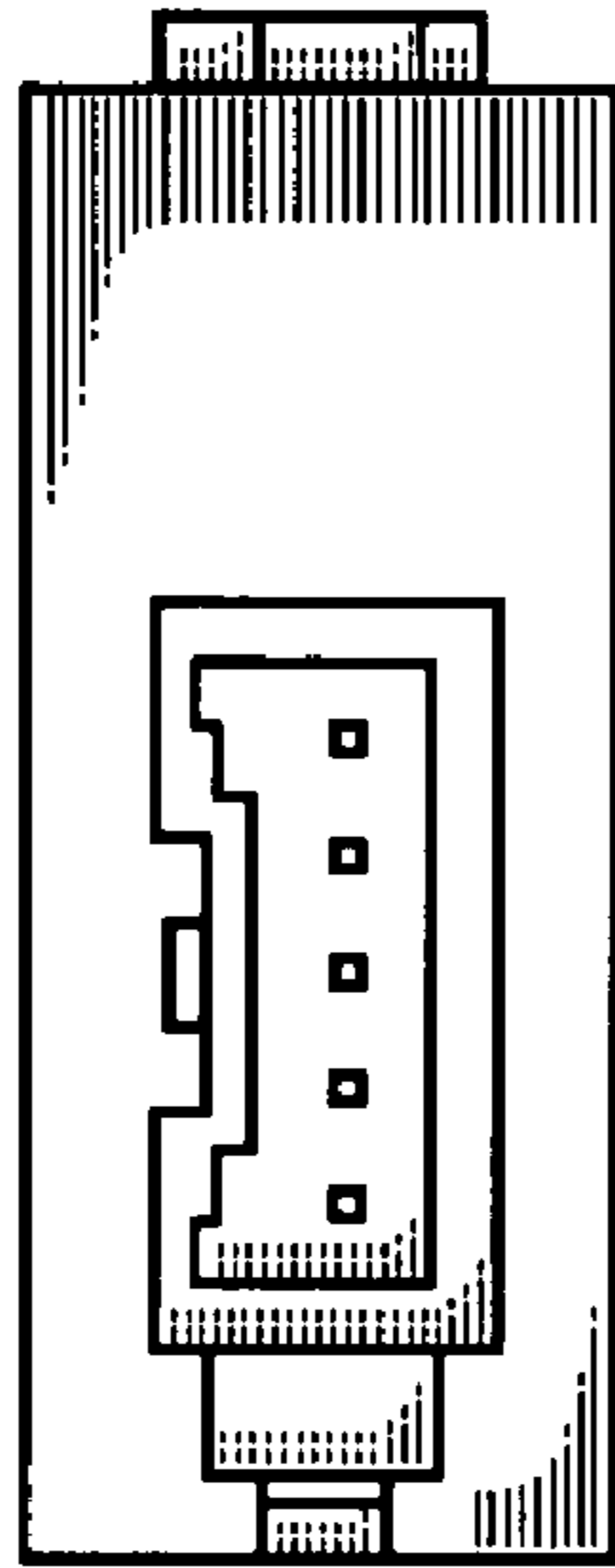


FIG. 4

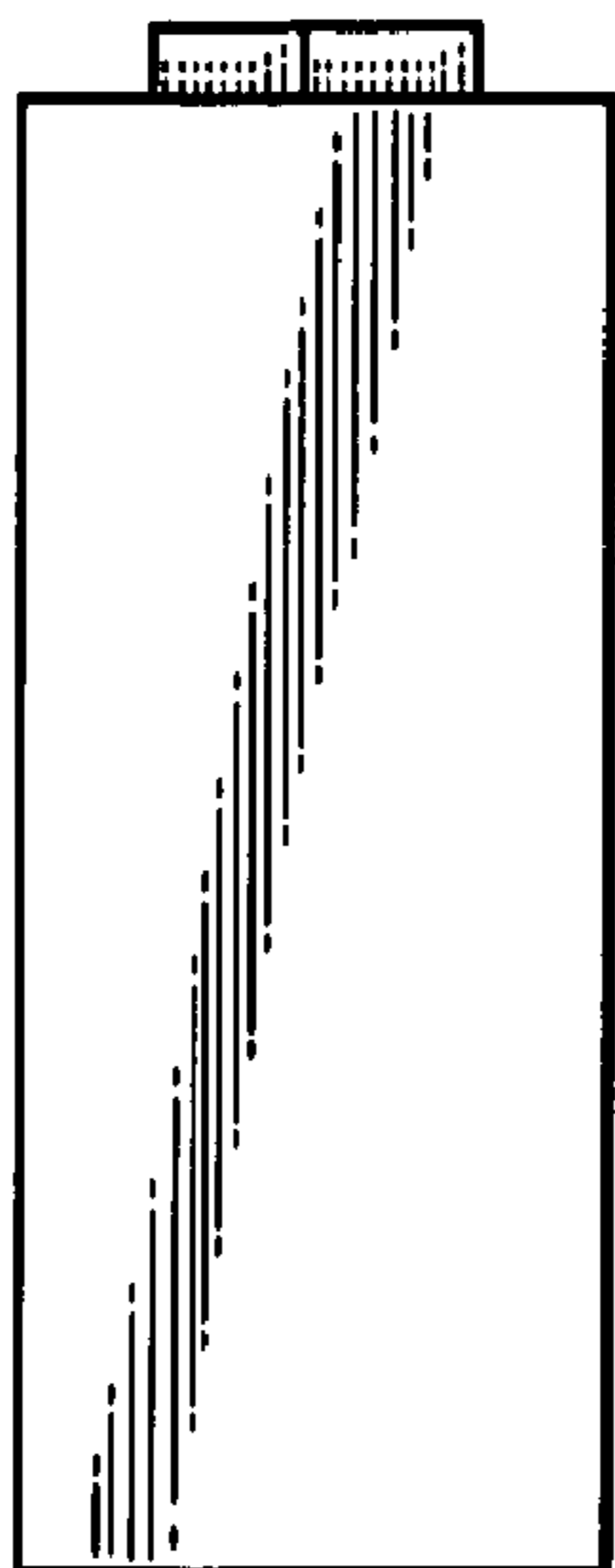


FIG. 5

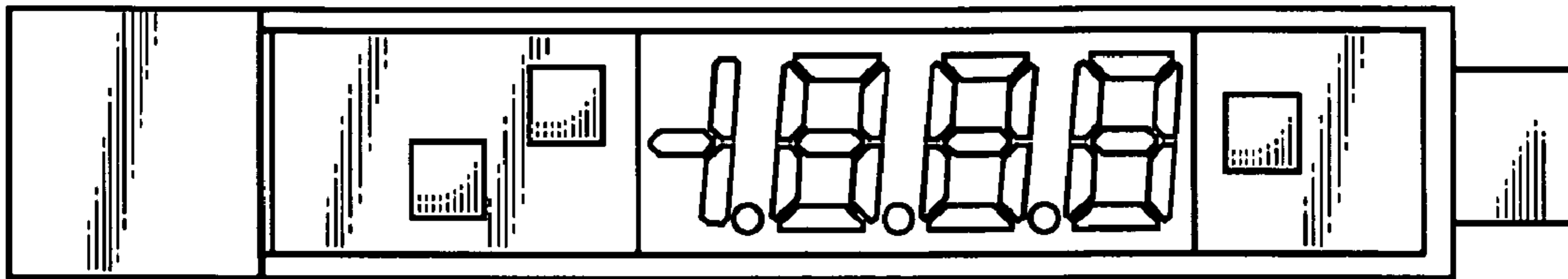


FIG. 6

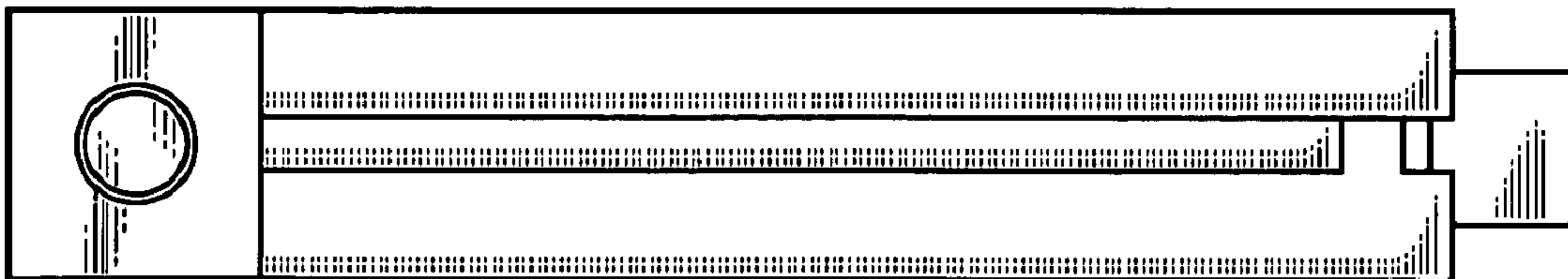


FIG. 7

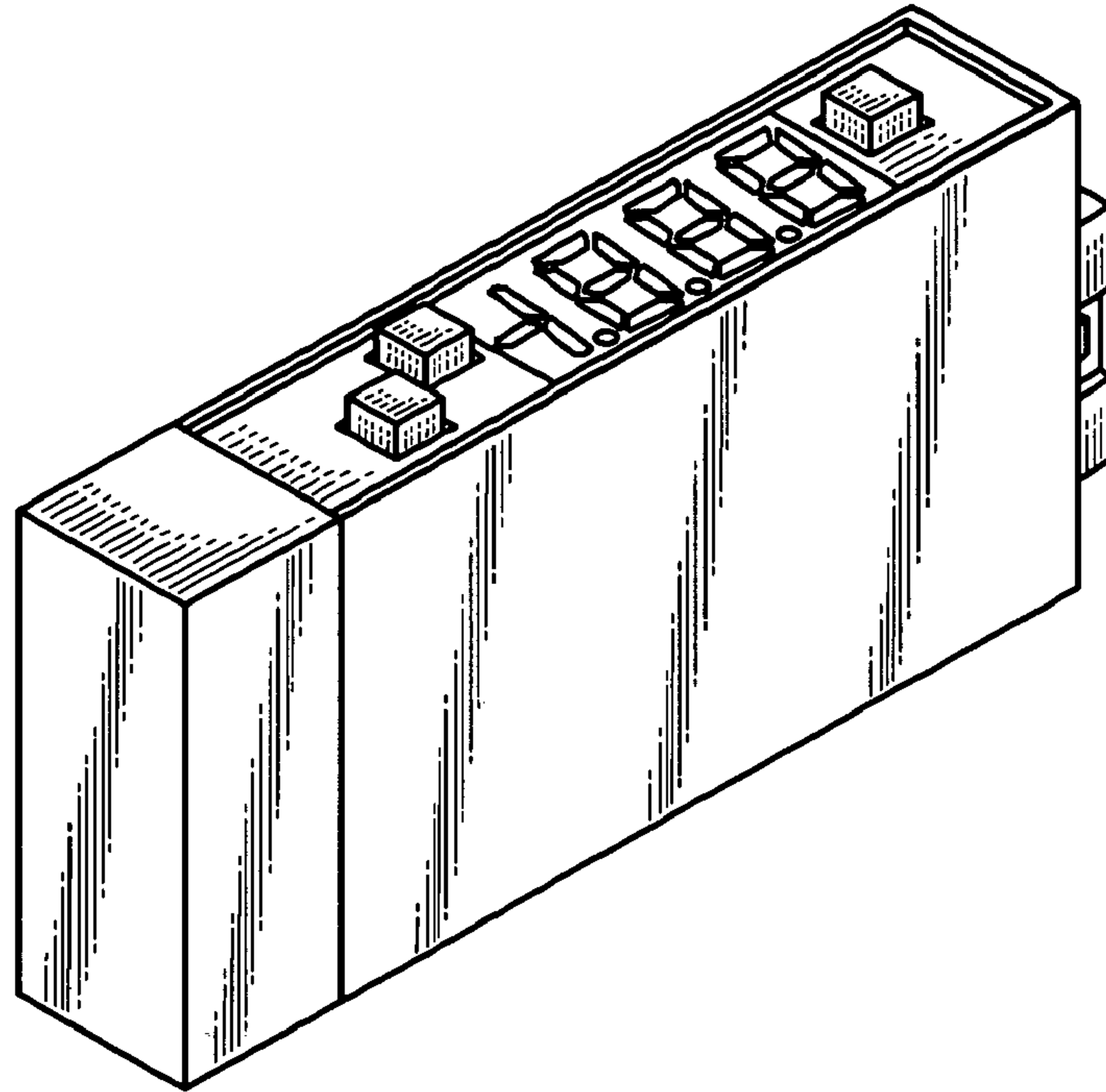


FIG. 8

