



US00D607849S

(12) **United States Design Patent**  
**Samuels et al.**

(10) **Patent No.:** **US D607,849 S**  
(45) **Date of Patent:** **\*\* Jan. 12, 2010**

(54) **DIMMER SWITCH**

(75) Inventors: **Richard David Samuels**, Riegelsville, PA (US); **Gregory Altonen**, Easton, PA (US); **Elliot G. Jacoby**, Glenside, PA (US)

(73) Assignee: **Lutron Electronics Co., Inc.**, Coopersburg, PA (US)

(\*\*) Term: **14 Years**

(21) Appl. No.: **29/339,250**

(22) Filed: **Jun. 26, 2009**

**Related U.S. Application Data**

(62) Division of application No. 29/323,716, filed on Aug. 29, 2008, now Pat. No. Des. 597,496.

(51) **LOC (9) Cl.** ..... **13-03**

(52) **U.S. Cl.** ..... **D13/170**

(58) **Field of Classification Search** ..... D13/162, D13/169, 170, 174; 174/66; 307/125, 139, 307/157; 200/330, 335, 339, 547, 550; 315/295, 315/297; 338/176  
See application file for complete search history.

(56) **References Cited**

**U.S. PATENT DOCUMENTS**

D227,577 S	7/1973	Mayo
3,746,923 A	7/1973	Spira et al.
D241,853 S	10/1976	Spira et al.
4,695,820 A	9/1987	D'Aleo et al.
4,833,277 A	5/1989	Jacoby, Jr. et al.
4,835,343 A	5/1989	Graef et al.
4,924,349 A	5/1990	Buehler et al.
4,939,383 A	7/1990	Tucker et al.
4,947,054 A	8/1990	Flowers et al.
4,972,045 A	11/1990	Primeau
5,191,971 A	3/1993	Hakkarainen et al.
D335,282 S	5/1993	Jurell et al.
D339,326 S	9/1993	Mayo et al.
D405,061 S	2/1999	Thomas

D415,472 S	10/1999	Kelso et al.
D437,584 S	2/2001	Radosavljevic et al.
D457,145 S	5/2002	Pagano et al.
D457,863 S	5/2002	Jacoby
D463,382 S	9/2002	Jacoby
D477,575 S	7/2003	Mayo et al.
6,727,446 B1	4/2004	Mayo et al.
D533,843 S	12/2006	Larson et al.
D533,844 S	12/2006	Larson et al.
D539,235 S	3/2007	Mayo et al.
D540,267 S	4/2007	Larson et al.
D540,748 S	4/2007	Larson et al.

(Continued)

**OTHER PUBLICATIONS**

Lutron Electronics Co., Inc., Commercial Wallbox Lighting Controls Catalog, 2004, front cover, pp. 70-71, rear cover.

(Continued)

*Primary Examiner*—Selina Sikder

(74) *Attorney, Agent, or Firm*—Mark E. Rose; Philip N. Smith

(57) **CLAIM**

We claim the ornamental design for a dimmer switch, as shown and described.

**DESCRIPTION**

FIG. 1 is a perspective view of a dimmer switch according to our new design.

FIG. 2 is a front view thereof.

FIG. 3 is a left side view thereof.

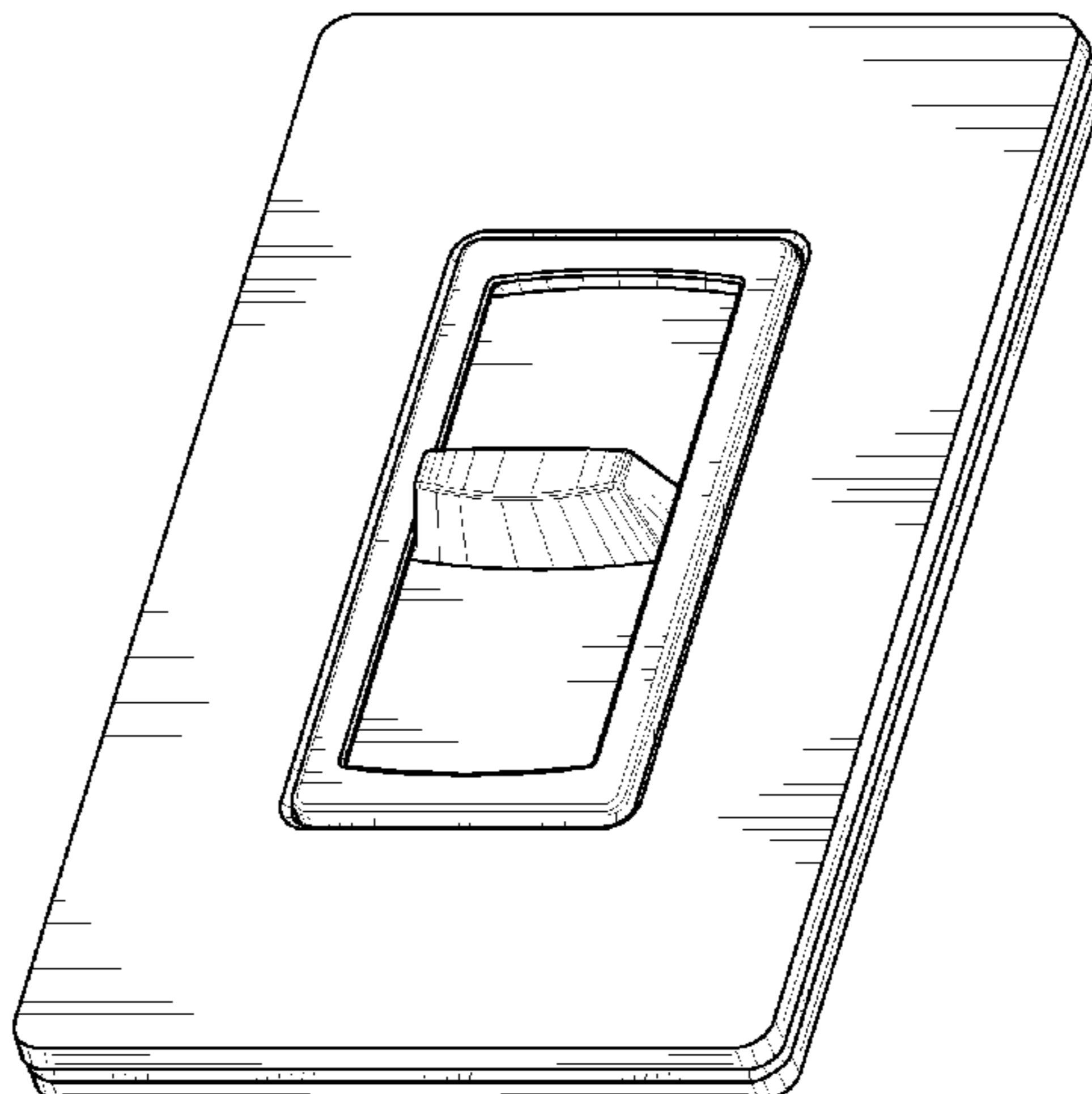
FIG. 4 is a right side view thereof.

FIG. 5 is a top view thereof; and,

FIG. 6 is a bottom view thereof.

The rear view forms no part of the design and is omitted. The portions of the drawings appearing in broken line are for environment only and do not form a part of the claimed design.

**1 Claim, 4 Drawing Sheets**



# US D607,849 S

Page 2

---

## U.S. PATENT DOCUMENTS

D541,222 S 4/2007 Mayo et al.  
D542,737 S 5/2007 Spira  
D543,510 S 5/2007 Larson et al.  
D547,731 S 7/2007 Larson et al.  
D548,194 S 8/2007 Spira  
D558,151 S 12/2007 Spira  
D562,260 S 2/2008 Pessina et al.  
D566,659 S 4/2008 Spira  
7,416,310 B1 8/2008 Savicki, Jr.  
D582,863 S 12/2008 Ni  
D583,336 S 12/2008 Ni  
D597,495 S 8/2009 Samuels et al.  
D597,496 S 8/2009 Samuels et al.  
2006/0255662 A1 11/2006 Abel

2007/0272535 A1 11/2007 Sloan et al.

## OTHER PUBLICATIONS

Leviton Manufacturing Co., Inc., Lighting and Fan Speed Controls Product Guide, 2006, 16 pages.  
Leviton Manufacturing Co., Inc., L-504 Catalog, 2003, front cover, pp. A22-A25, rear cover.  
Cooper Wiring Devices, Decorator Slide Dimmers & Fan Speed Controls Sell Sheet, 2007, 2 pages.  
Cooper Wiring Devices, Decorator Slide Dimmers & Fan Speed Controls Products Specifications Sheet, 2007, 2 pages.  
Cooper Wiring Devices, Lighting Controls Line Card, 2007, 4 pages.  
U.S. Appl. No. 29/302,039, filed Jan. 9, 2008, Altonen et al.  
U.S. Appl. No. 29/329,678, filed Dec. 19, 2008, Samuels et al.  
U.S. Appl. No. 29/329,682, filed Dec. 19, 2008, Samuels et al.  
U.S. Appl. No. 29/339,264, filed Jun. 26, 2009, Samuels et al.

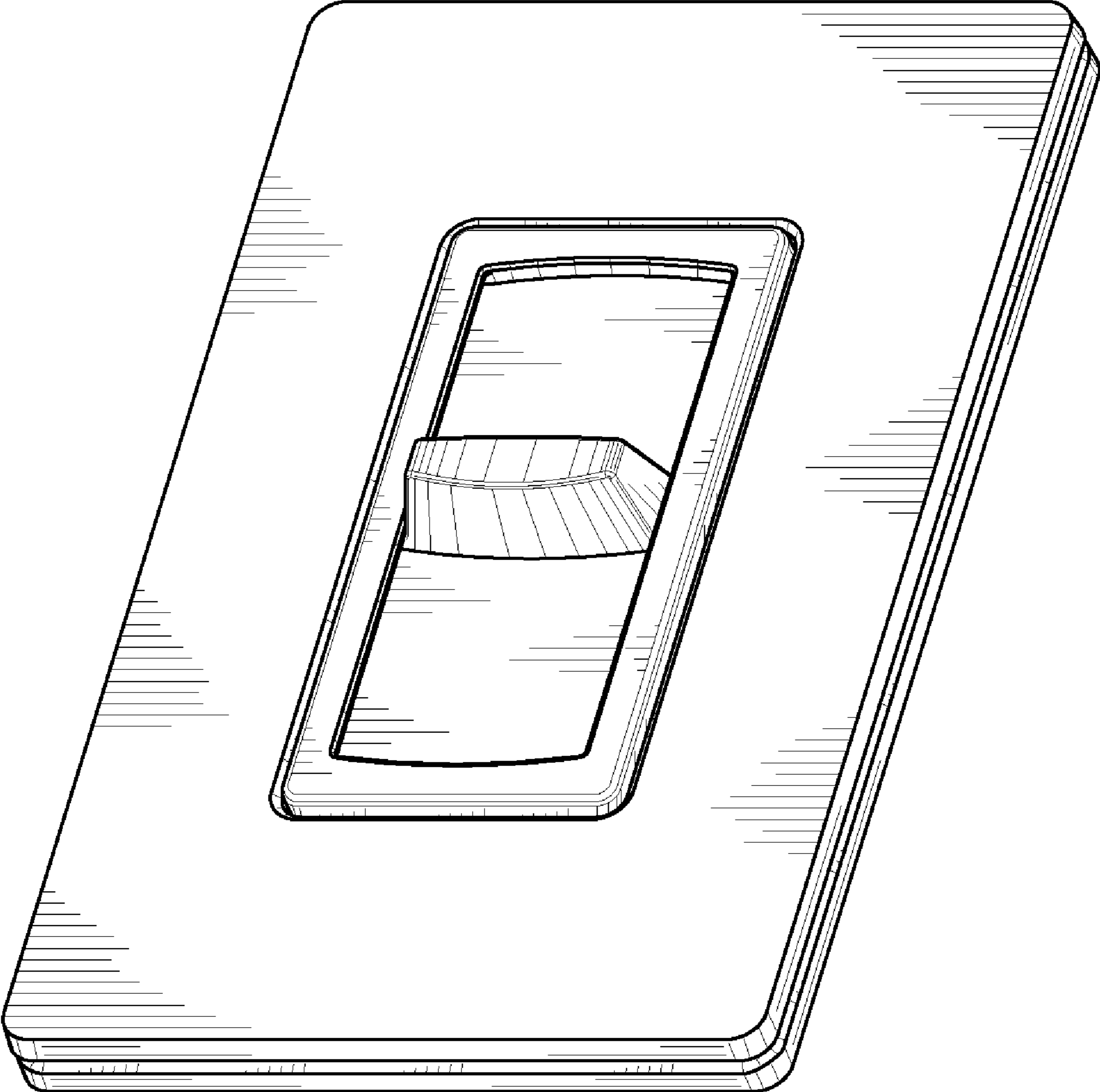


Fig. 1

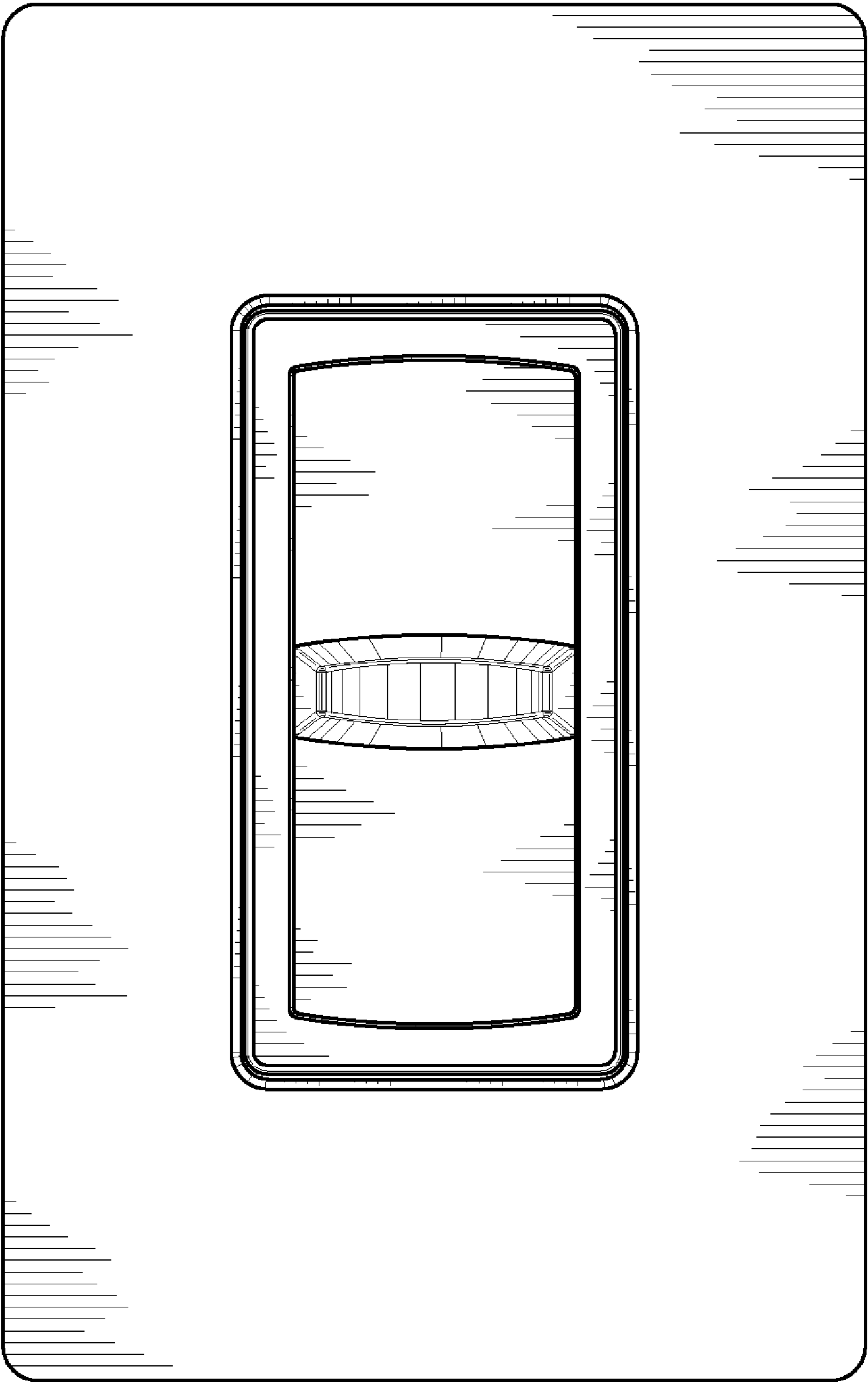


Fig. 2

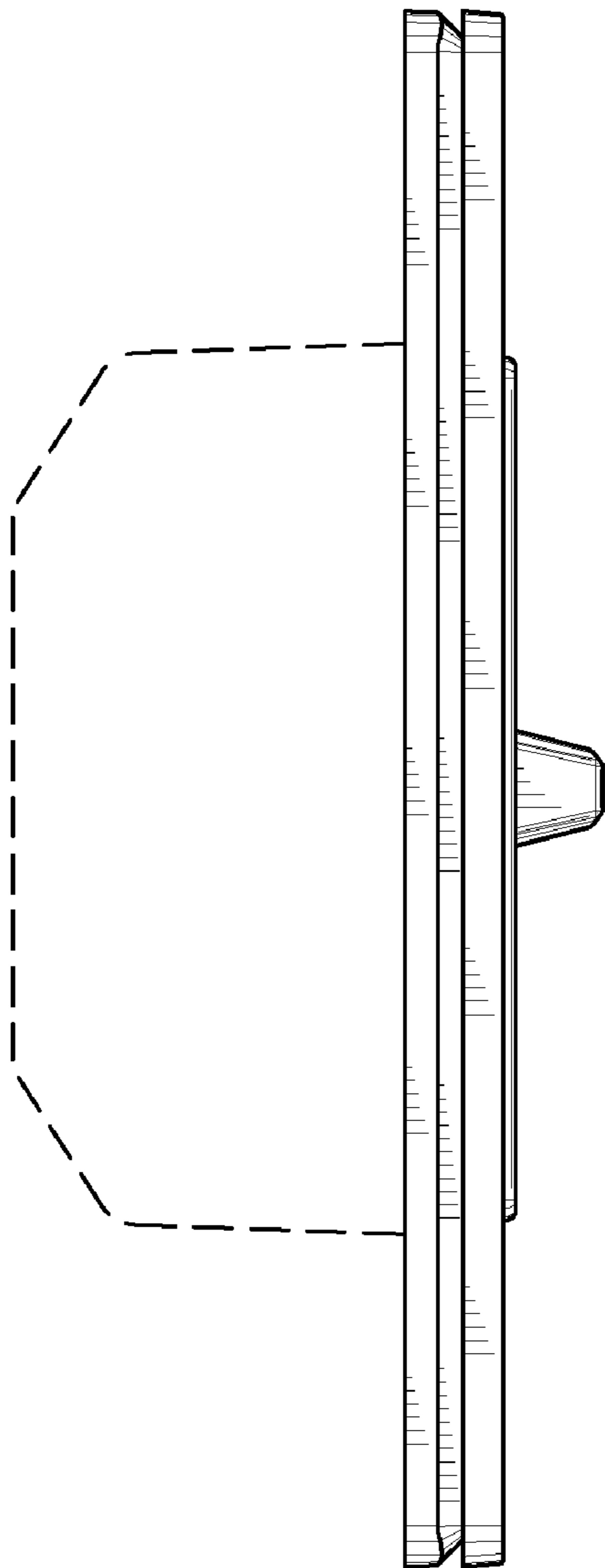


Fig. 3

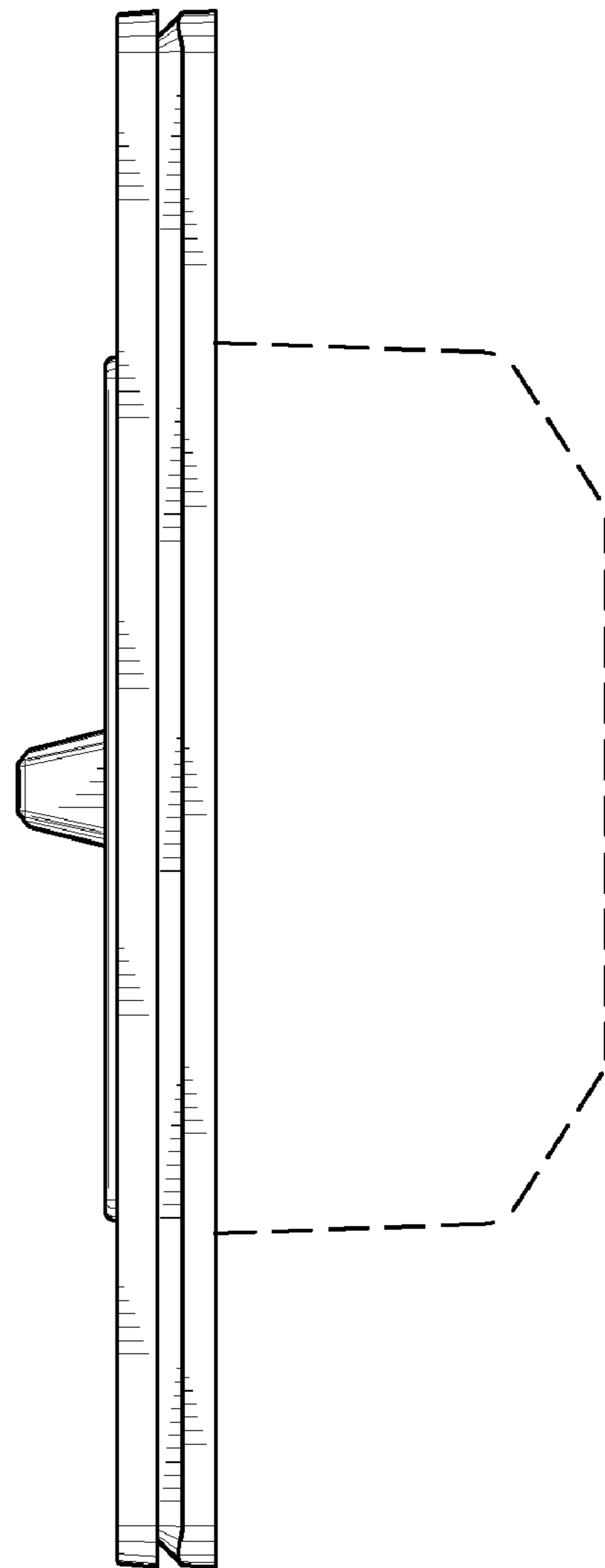


Fig. 4

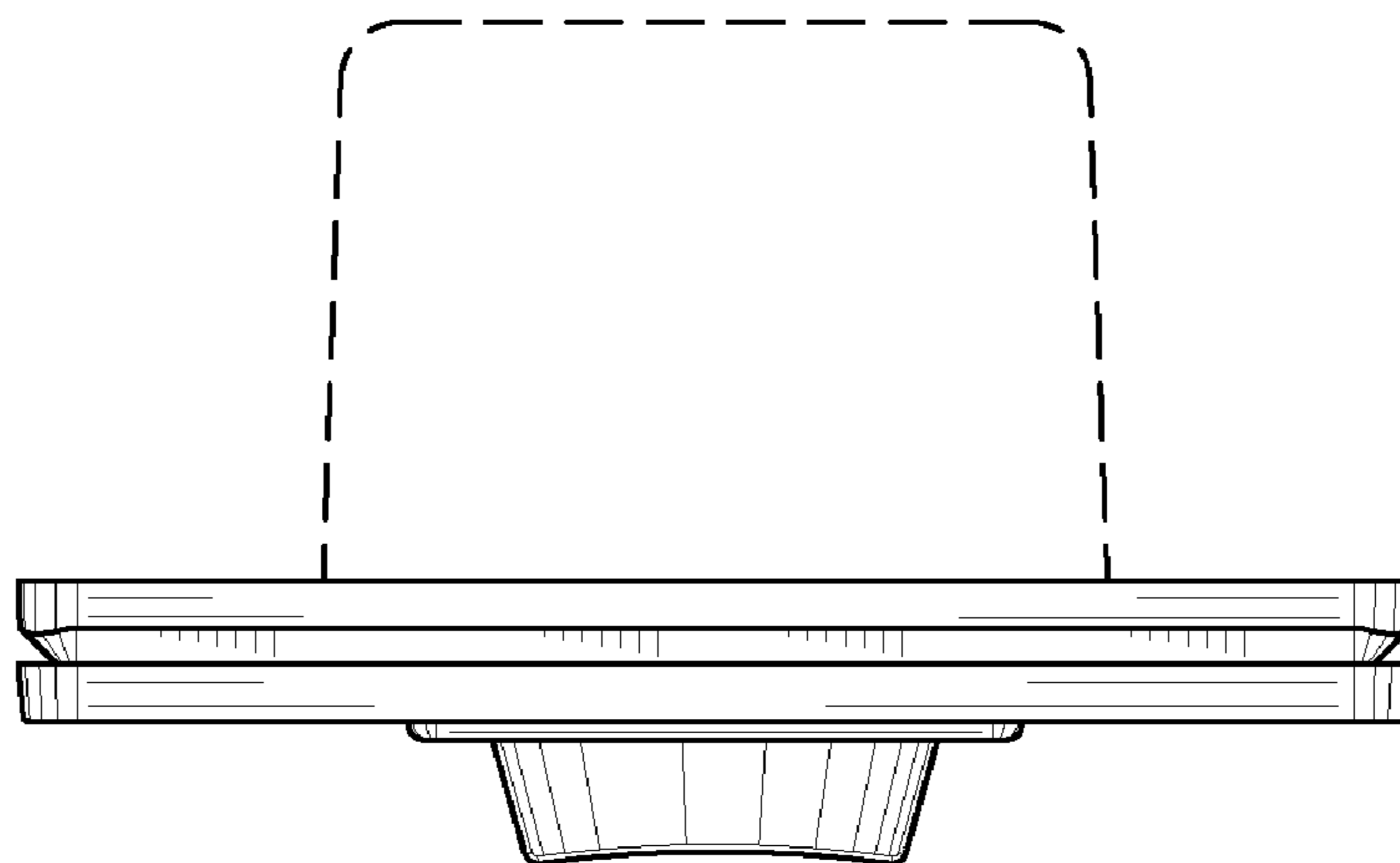


Fig. 5

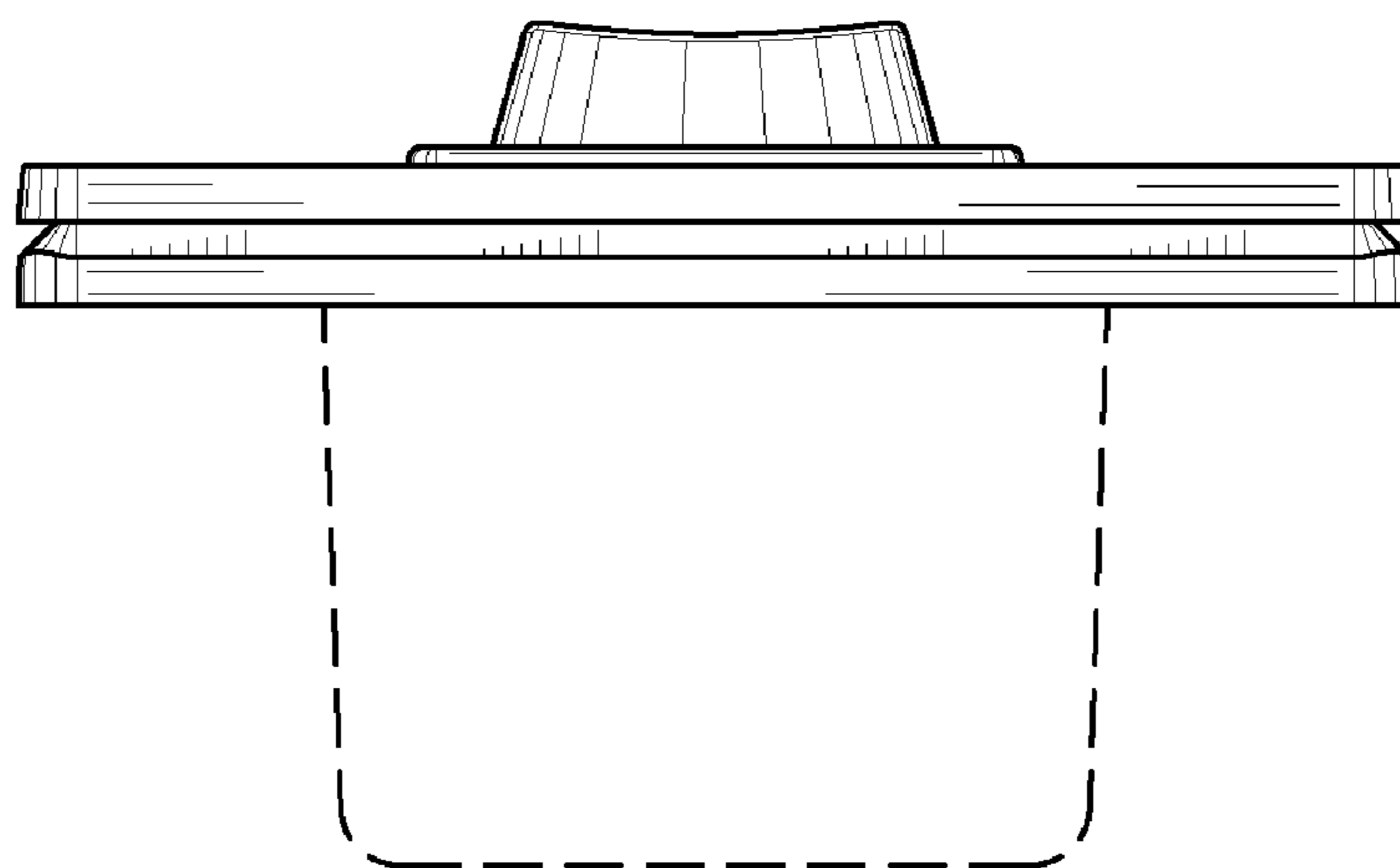


Fig. 6