



US00D607847S

(12) **United States Design Patent**
Elliott et al.

(10) **Patent No.:** **US D607,847 S**
(45) **Date of Patent:** **** Jan. 12, 2010**

(54) **WIRELESS IRRIGATION TRANSMITTER**

2009/0177330 A1* 7/2009 Kah, Jr. 700/284
* cited by examiner

(75) Inventors: **Lance C. Elliott**, San Marcos, CA (US);
Michael F. Paul, San Diego, CA (US)

Primary Examiner—Selina Sikder
(74) *Attorney, Agent, or Firm*—Michael H. Jester

(73) Assignee: **Hunter Industries, Inc.**, San Marcos,
CA (US)

(57) **CLAIM**

(**) Term: **14 Years**

The ornamental design for a wireless irrigation transmitter, as illustrated and described.

(21) Appl. No.: **29/333,453**

(22) Filed: **Mar. 10, 2009**

DESCRIPTION

(51) **LOC (9) Cl.** **14-03**

FIG. 1 is an isometric view taken from the front of the wireless irrigation transmitter;

(52) **U.S. Cl.** **D13/168**

FIG. 2 is an isometric view taken from the rear of the wireless irrigation transmitter;

(58) **Field of Classification Search** D13/168;
D10/40; D14/218, 247; 340/825.22, 825.24,
340/825.25, 825.31, 825.36, 825.69, 825.72;
341/76; 455/352; 700/284

FIG. 3 is a front elevation view of the wireless irrigation transmitter;

FIG. 4 is a rear elevation view of the wireless irrigation transmitter;

See application file for complete search history.

FIG. 5 is a right side elevation view of the wireless irrigation transmitter;

(56) **References Cited**

U.S. PATENT DOCUMENTS

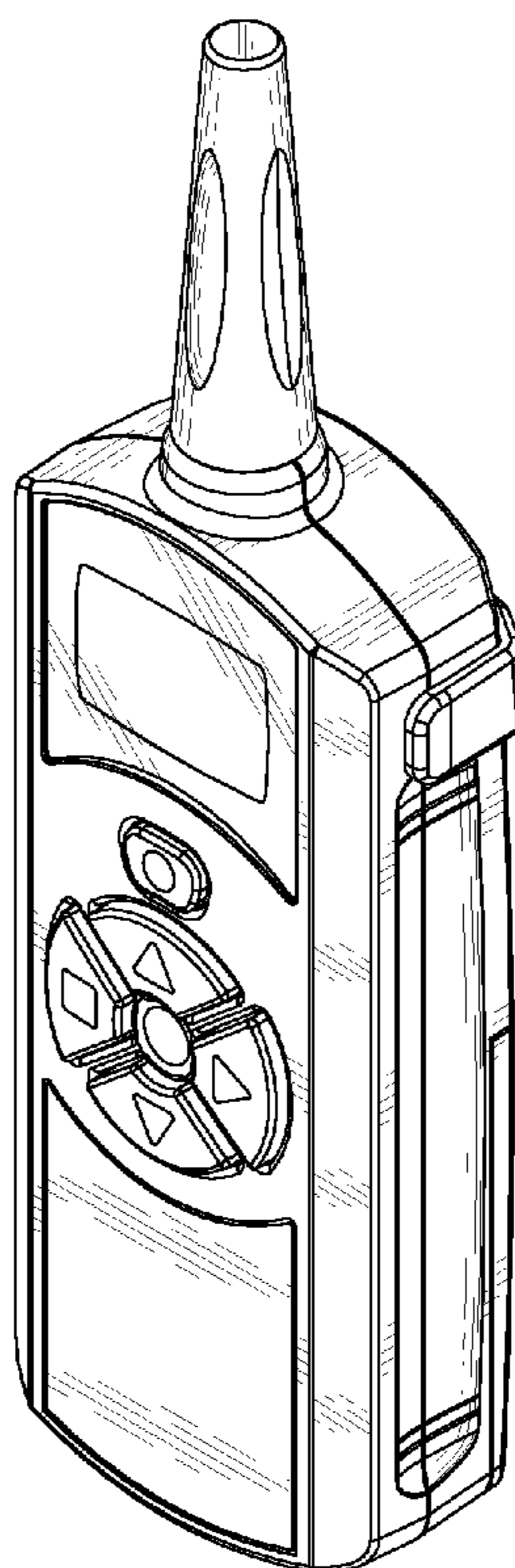
- 5,173,855 A * 12/1992 Nielsen et al. 700/284
- D477,287 S * 7/2003 Roman D13/162
- D530,680 S * 10/2006 Fox et al. D13/168
- D530,681 S * 10/2006 Huang D13/168
- 2008/0249664 A1* 10/2008 Runge et al. 700/284
- 2008/0255708 A1* 10/2008 Nies et al. 700/284

FIG. 6 is a left side elevation view of the wireless irrigation transmitter;

FIG. 7 is a top plan view of the wireless irrigation transmitter; and,

FIG. 8 is a bottom plan view of the wireless irrigation transmitter.

1 Claim, 4 Drawing Sheets



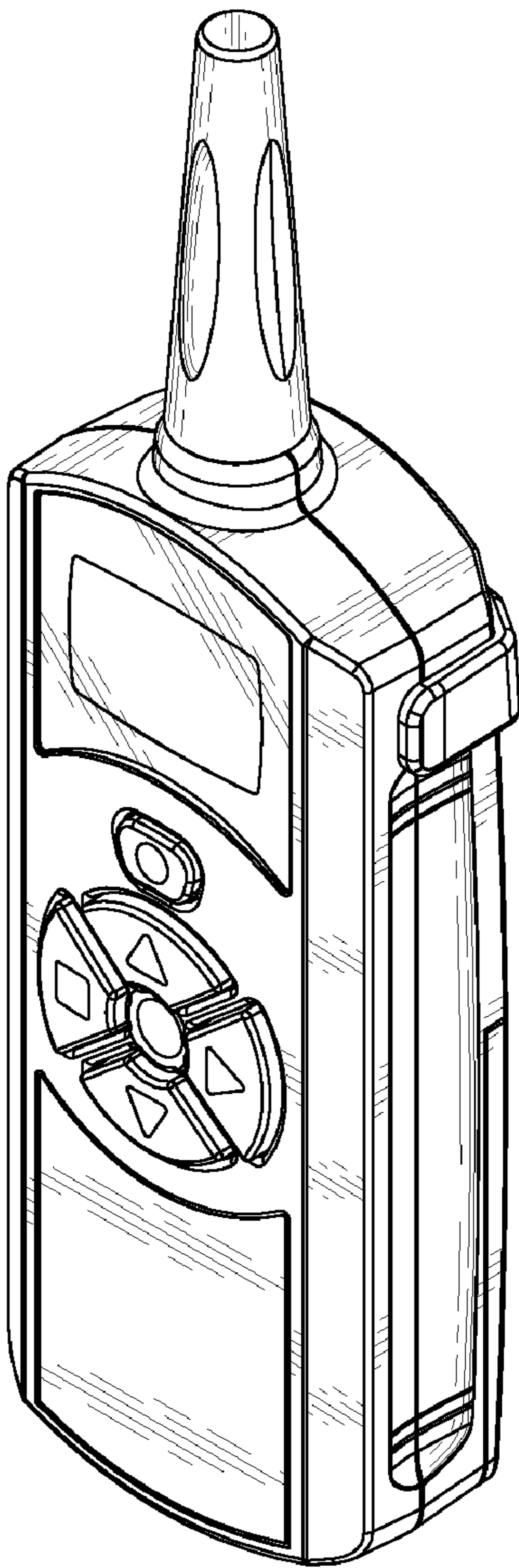


FIG. 1

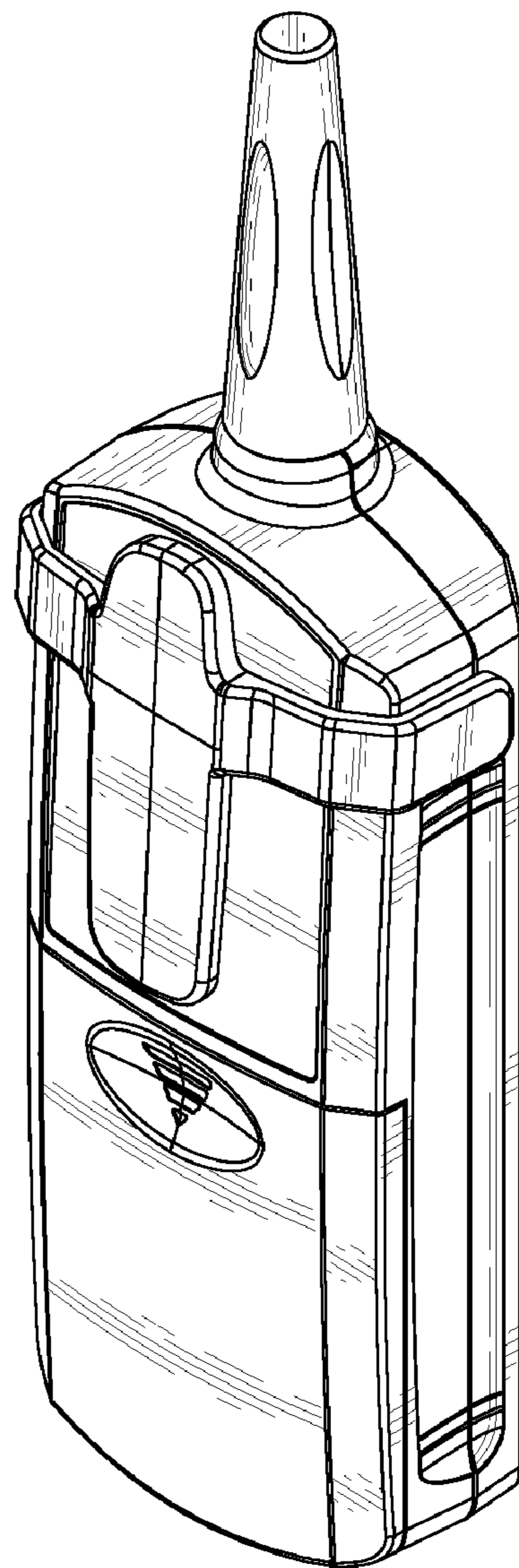


FIG. 2

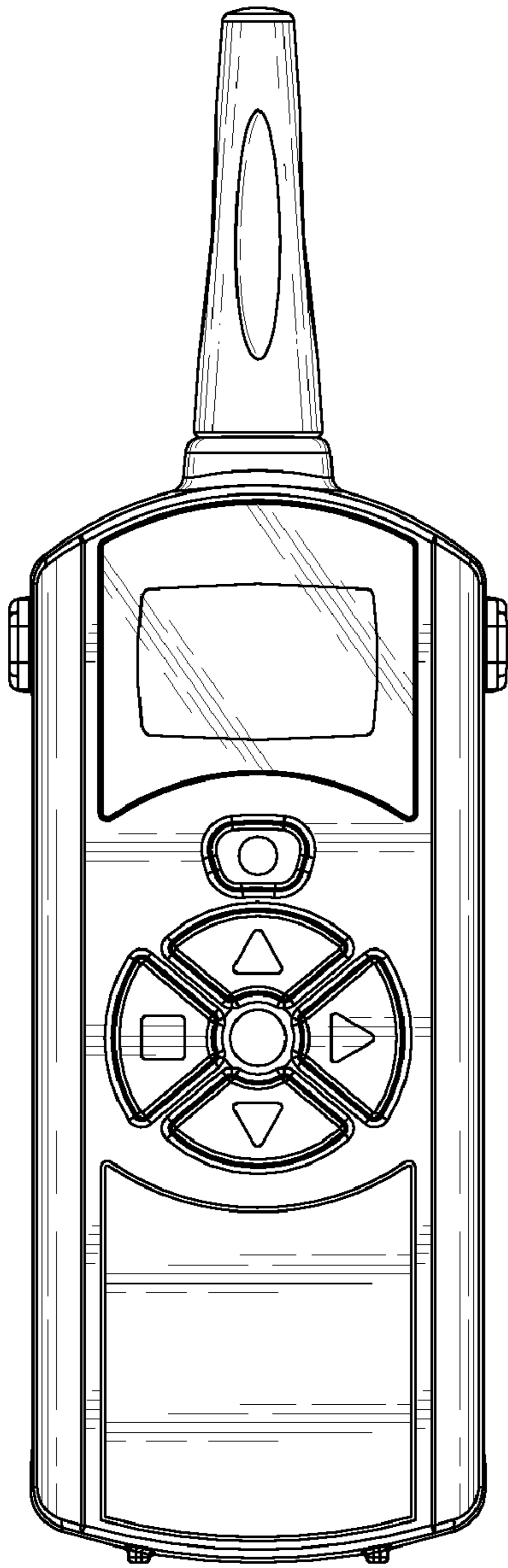


FIG. 3

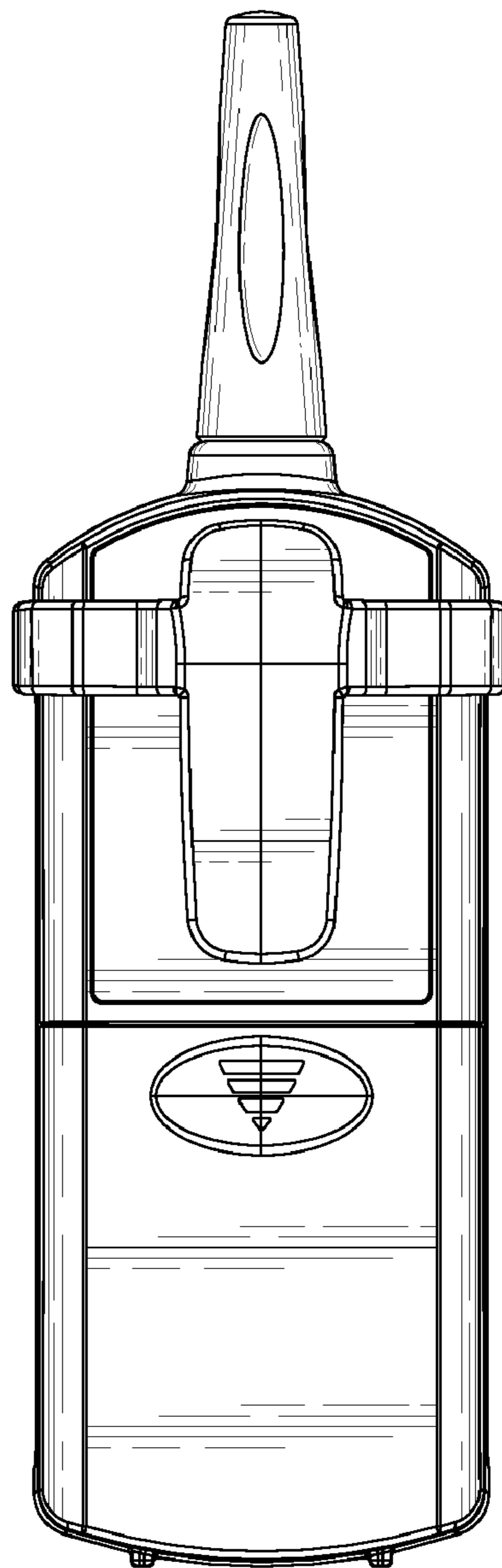


FIG. 4

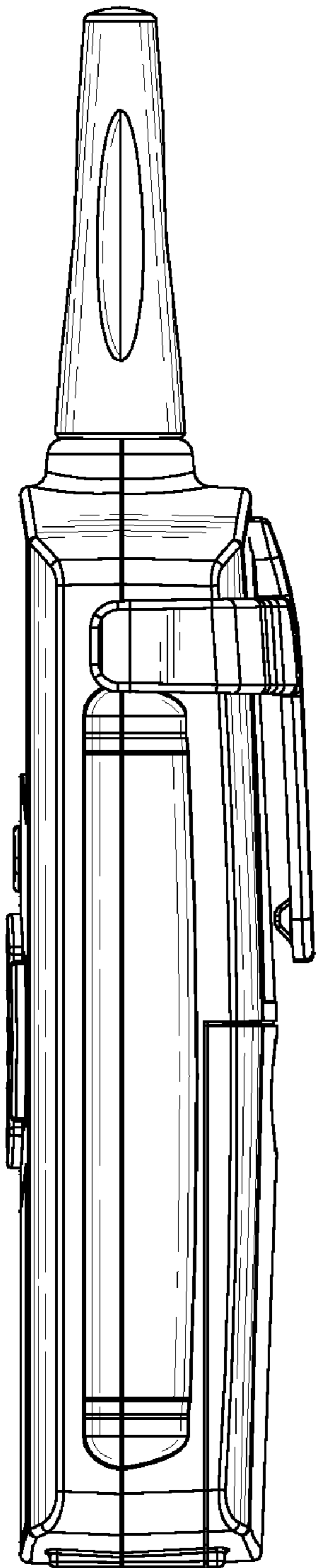


FIG. 5

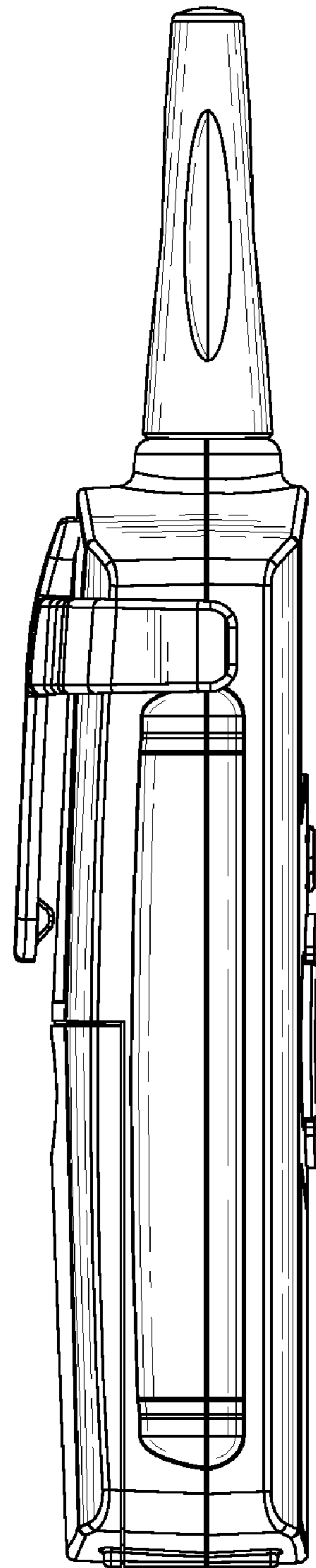


FIG. 6

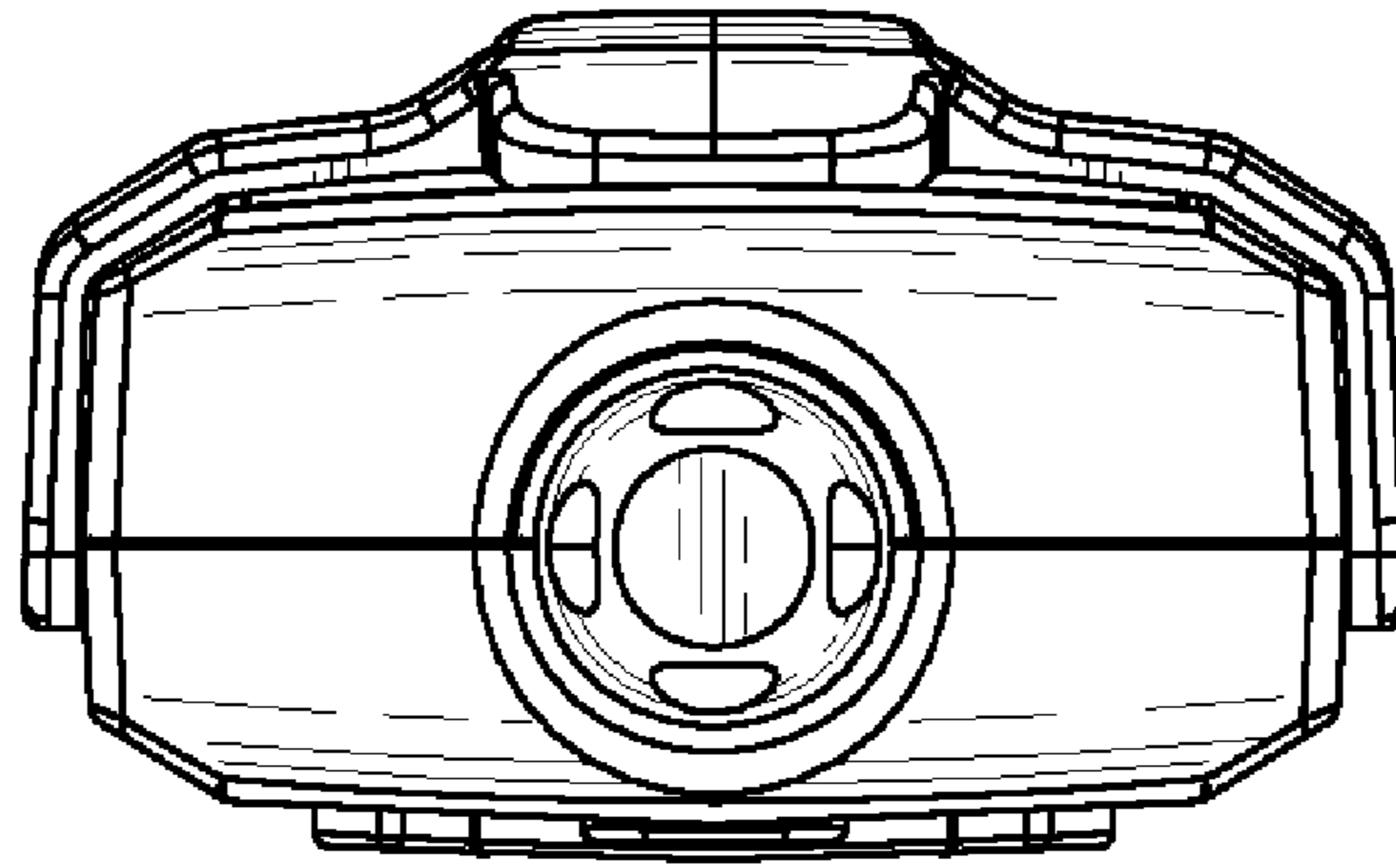


FIG. 7

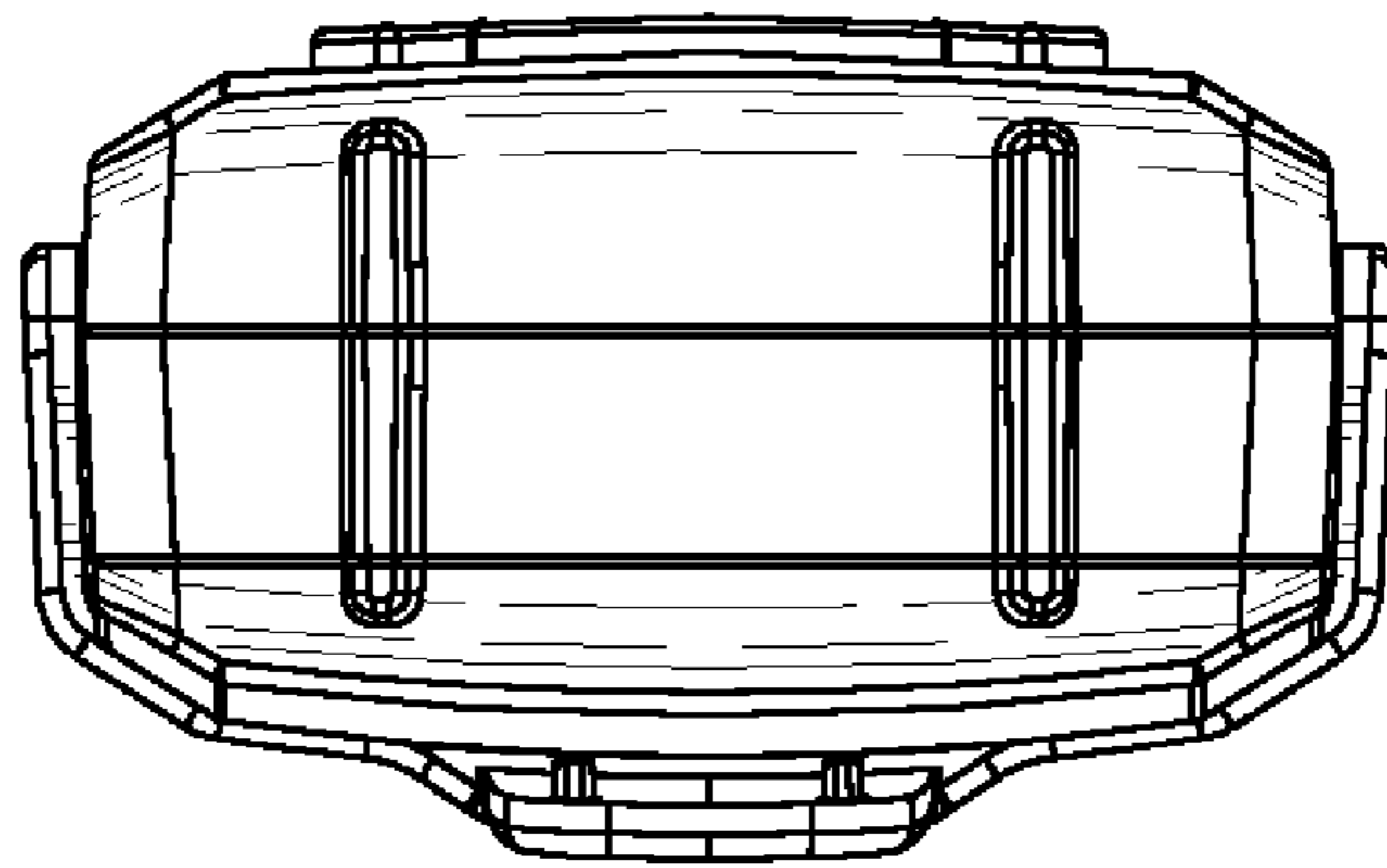


FIG. 8