

US00D607844S

(12) **United States Design Patent**
Feldstein et al.

(10) **Patent No.:** **US D607,844 S**
(45) **Date of Patent:** **** Jan. 12, 2010**

(54) **REMOTE CONTROL DOCKING STATION**

Primary Examiner—Selina Sikder

(75) Inventors: **George Feldstein**, Cresskill, NJ (US);
Howard S. Balch, Bloomingdale, NJ
(US)

(74) *Attorney, Agent, or Firm*—Philip L. Kirkpatrick; John DiScala

(73) Assignee: **Crestron Electronics, Inc.**, Rockleigh,
NJ (US)

(57) **CLAIM**

The ornamental design for a remote control docking station,
as shown and described.

(**) Term: **14 Years**

DESCRIPTION

(21) Appl. No.: **29/318,442**

(22) Filed: **May 20, 2008**

(51) **LOC (9) Cl.** **14-03**

(52) **U.S. Cl.** **D13/168; D14/451**

(58) **Field of Classification Search** D13/168;
D14/126, 218, 251, 253, 375, 376, 434, 447,
D14/451; D8/363, 373; 248/183.1, 274.1,
248/284.1; 361/679.27, 679.41, 679.43,
361/679.44

See application file for complete search history.

FIG. 1 shows a right side view of the remote control docking station including the moveable assembly shown in a first position wherein a remote control is shown prior to docketing.

FIG. 2 shows a right side view of the remote control docking station wherein a remote control is shown docketed to the movable assembly.

FIG. 3 shows a front perspective view of a remote control docking station including a moveable assembly.

FIG. 4 shows a front view of a remote control docking station including a moveable assembly.

FIG. 5 shows a front view of the remote control docking station wherein a remote control is shown docketed to the movable assembly.

FIG. 6 shows a back perspective view of a remote control docking station including a moveable assembly.

FIG. 7 shows a back view of a remote control docking station including a moveable assembly.

FIG. 8 shows a left side view of a remote control docking station including a moveable assembly, the moveable assembly shown in a first position.

FIG. 9 shows a left side view of a remote control docking station including a moveable assembly, the moveable assembly shown in a second position; and,

FIG. 10 shows a bottom view thereof.

The broken line showing of the environment and portions of the docking station in FIG. 10 are for illustrative purpose only and forms no part of the claimed design.

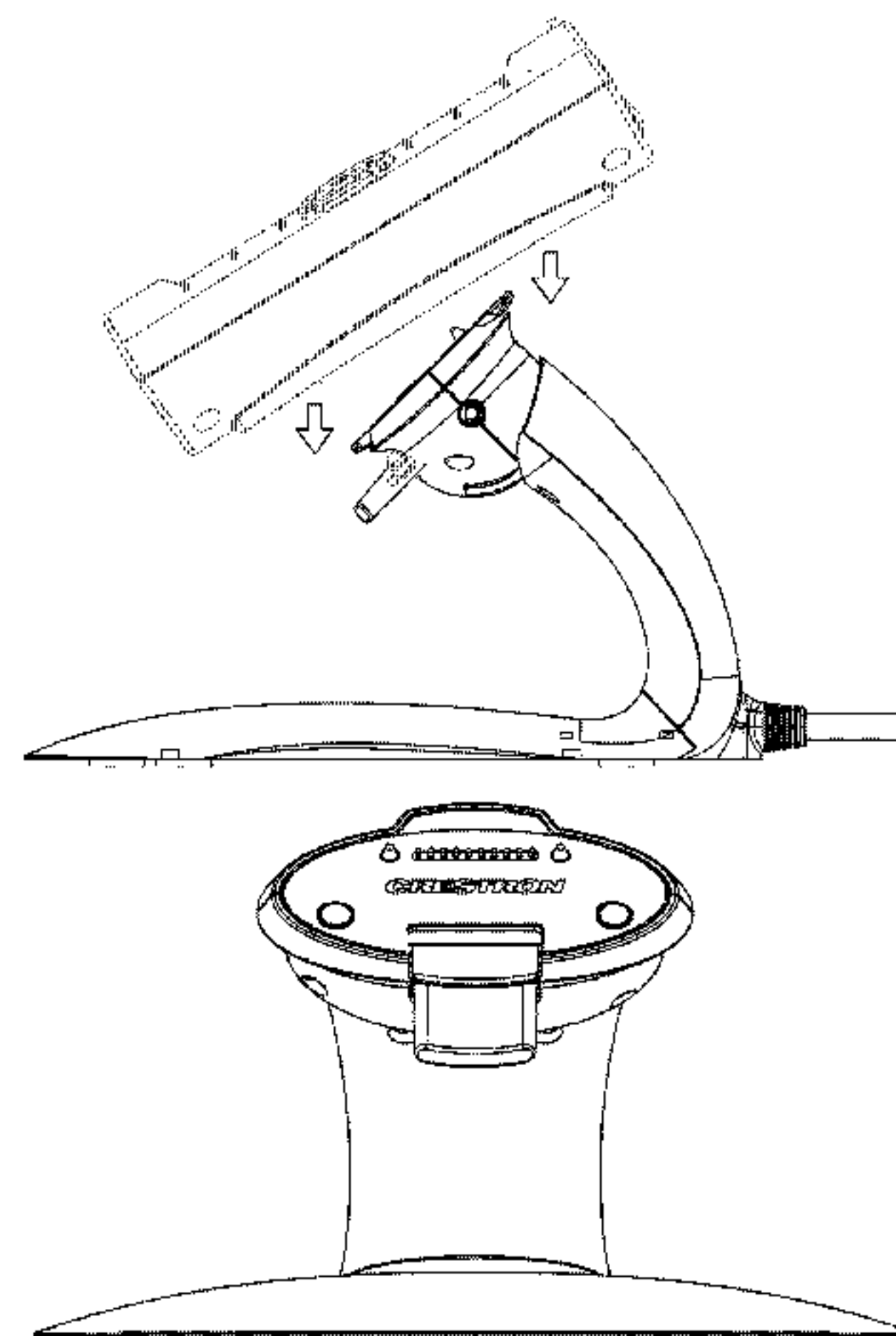
(56) **References Cited**

U.S. PATENT DOCUMENTS

D349,489 S	8/1994	Wang	
D356,552 S	3/1995	Maeno	
5,619,397 A	4/1997	Honda	
D383,739 S	9/1997	Gilgen	
D391,933 S	3/1998	Chang	
D414,471 S	9/1999	Poole	
6,290,534 B1	9/2001	Sadler	
D453,509 S	2/2002	Kazamaki	
6,427,959 B1	8/2002	Kalis et al.	
6,464,185 B1	10/2002	Minelli et al.	
D469,439 S *	1/2003	Bradley	D14/434
D478,051 S *	8/2003	Sagawa	D13/168
6,663,064 B1	12/2003	Minelli et al.	
D487,893 S	3/2004	Jobs	
D489,066 S	4/2004	Tsai	
6,950,302 B2	9/2005	Hubbard	
D510,577 S	10/2005	Jobs	
6,963,487 B2 *	11/2005	Billington et al.	361/679.41
6,966,533 B1	11/2005	Kalis	

(Continued)

1 Claim, 10 Drawing Sheets



US D607,844 S

Page 2

U.S. PATENT DOCUMENTS

6,987,666	B2 *	1/2006	Medica et al.	361/679.05	7,369,401	B1	5/2008	Floersch	
D543,439	S	5/2007	Brassard		D593,566	S *	6/2009	Richter	D14/447
7,225,054	B2 *	5/2007	Amundson et al.	700/276	D593,568	S *	6/2009	Hsieh et al.	D14/451
D545,825	S *	7/2007	Richter	D14/447	7,584,897	B2 *	9/2009	Schultz et al.	236/1 C
7,237,755	B2	7/2007	Cho		2003/0063059	A1	4/2003	Farrow	
D556,700	S *	12/2007	Igarashi	D13/168	2003/0235029	A1 *	12/2003	Doherty et al.	361/683
D556,746	S	12/2007	Peiker		2004/0118988	A1 *	6/2004	Stokes	248/309.1
D562,331	S *	2/2008	Li	D14/452	2004/0264115	A1	12/2004	Greenidge	
7,338,019	B2	3/2008	Liu		2009/0250570	A1 *	10/2009	Corn et al.	248/183.1
D569,352	S *	5/2008	Gordon et al.	D13/168					

* cited by examiner

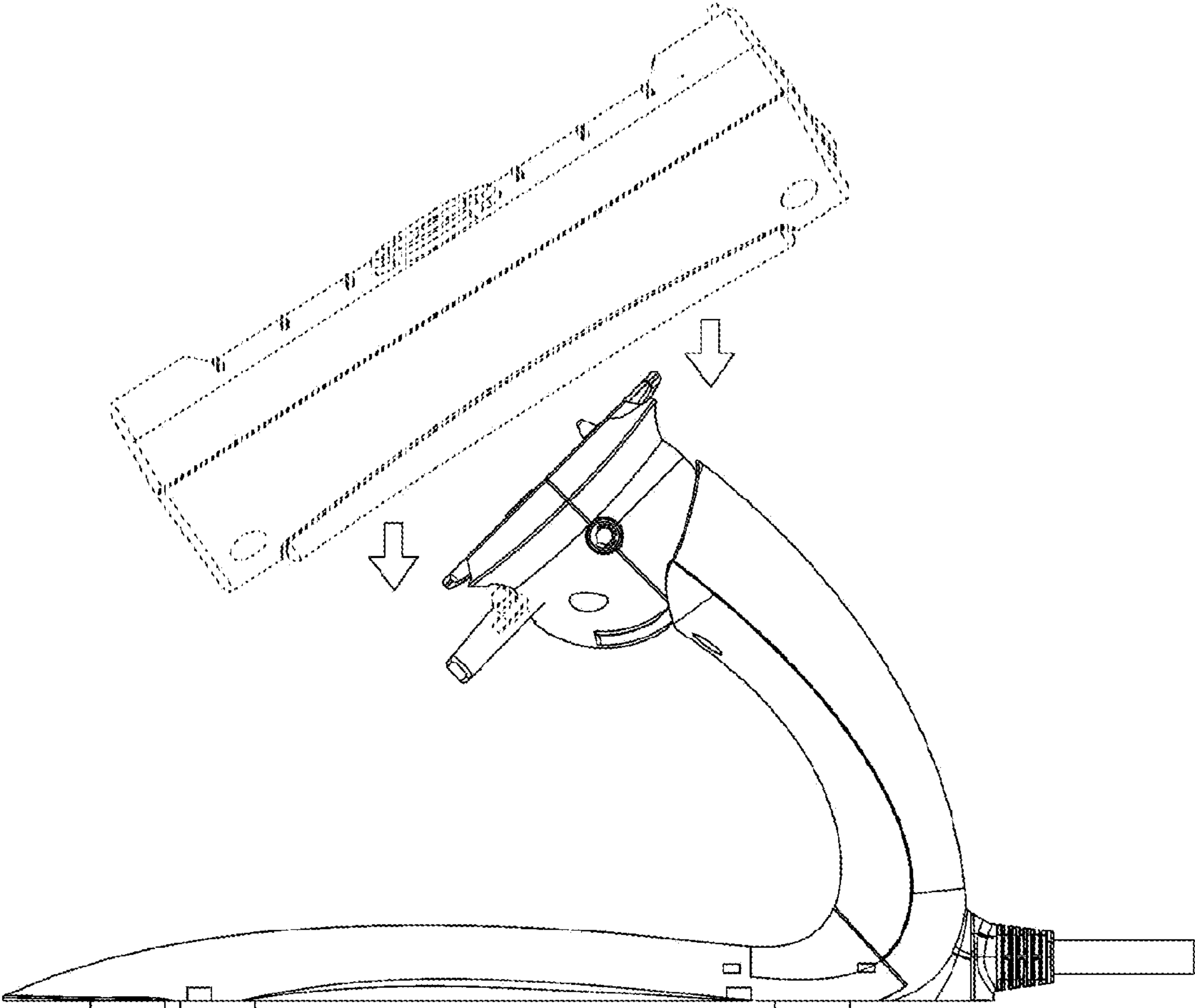


FIG. 1

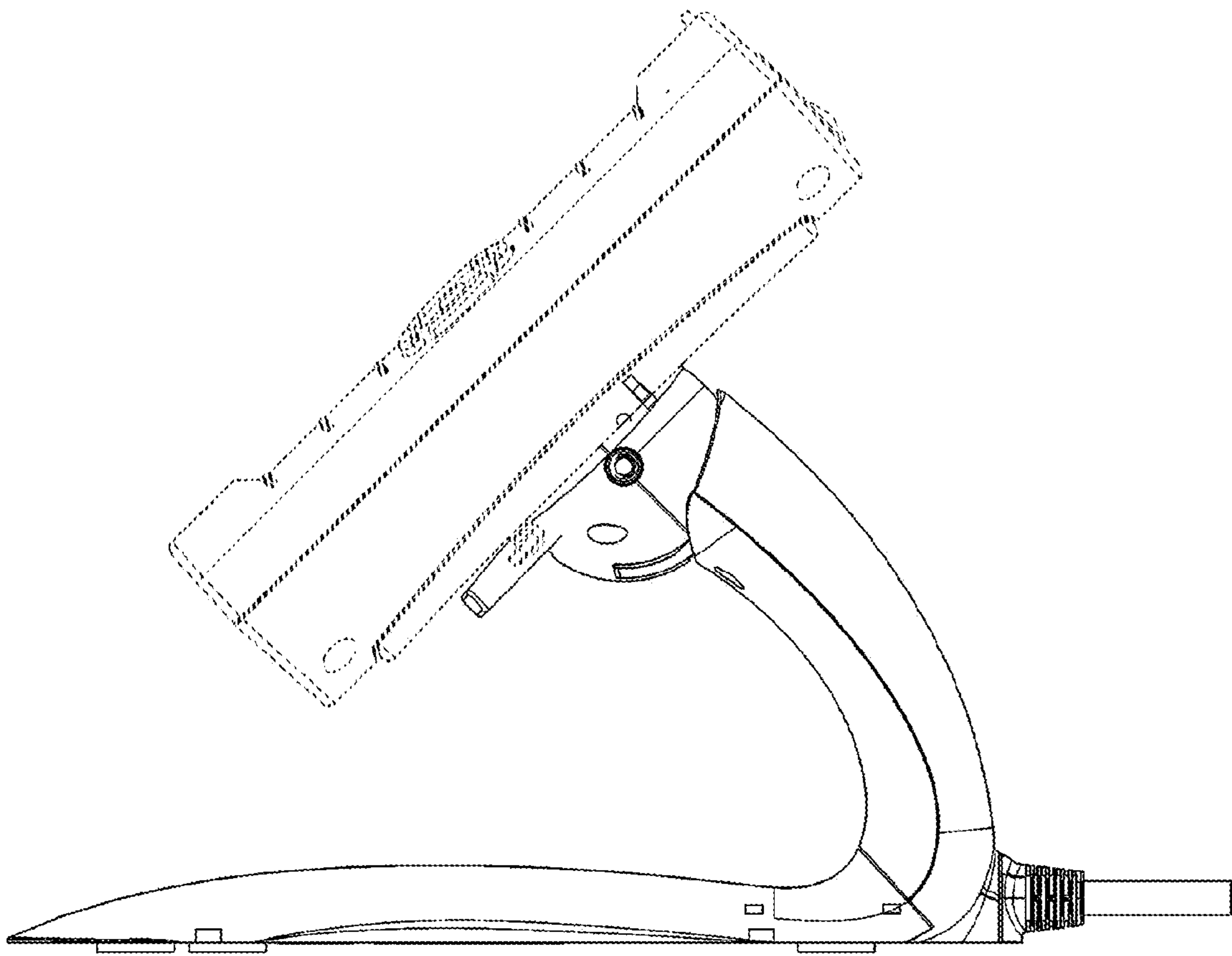


FIG. 2

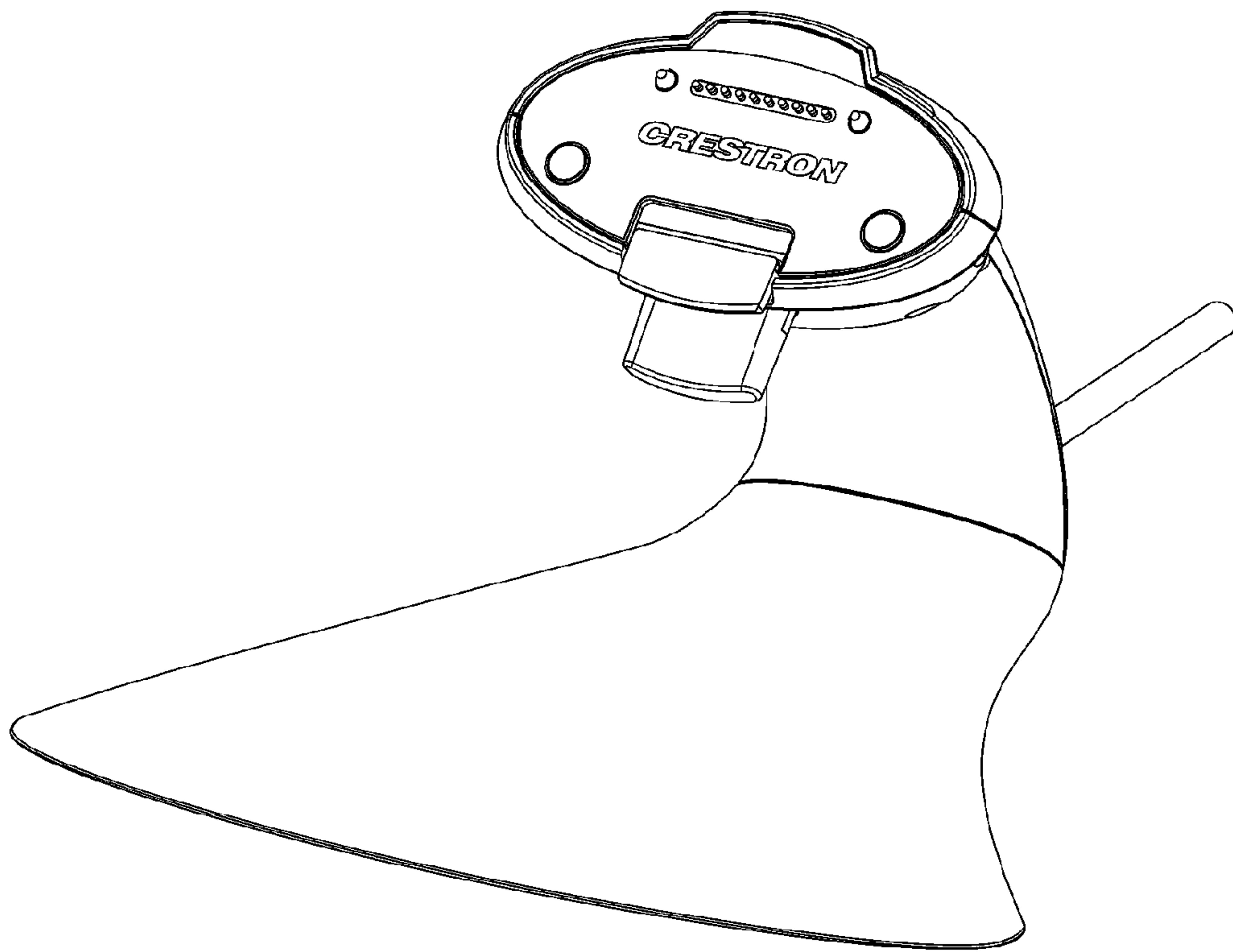


FIG. 3

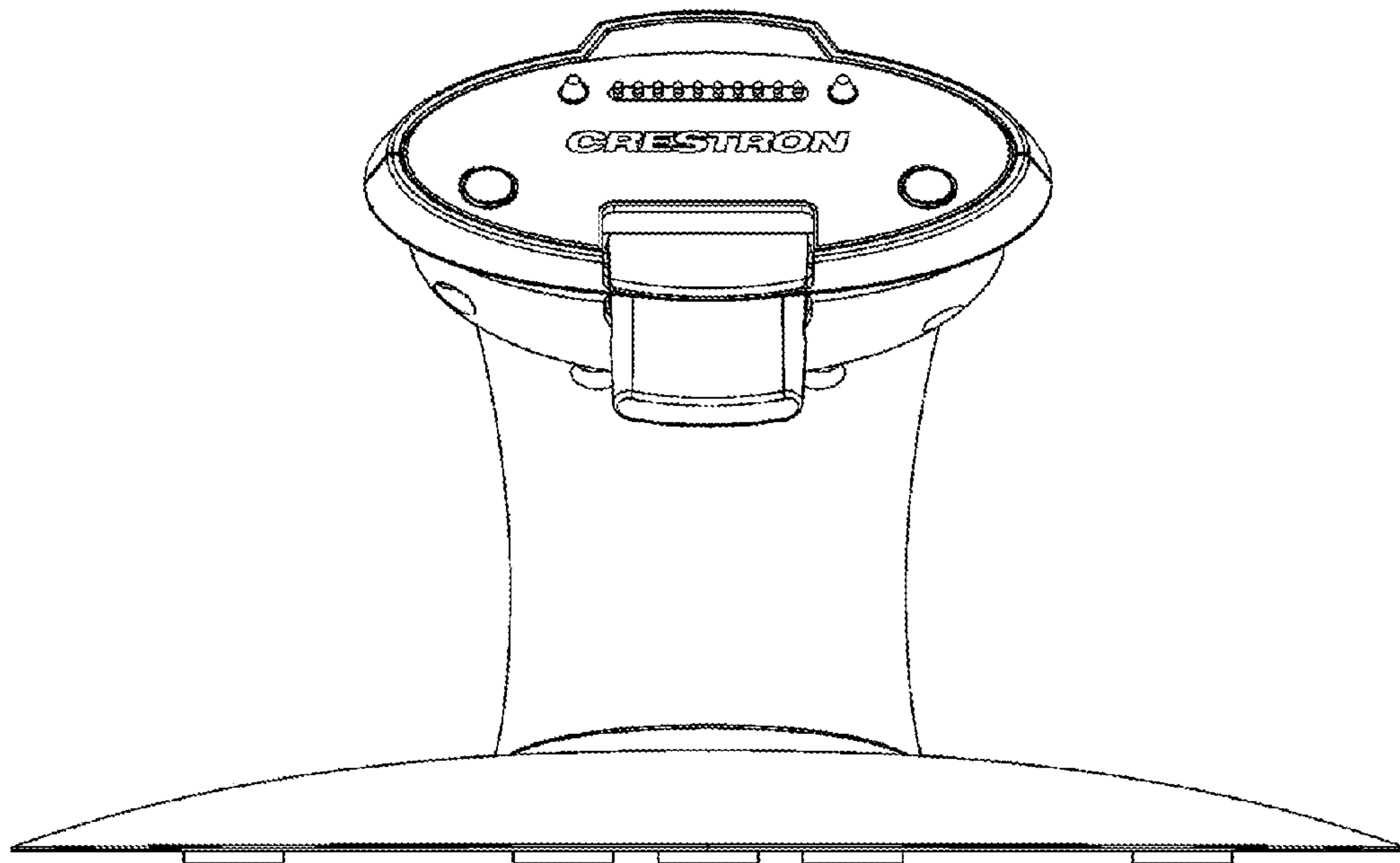


FIG. 4

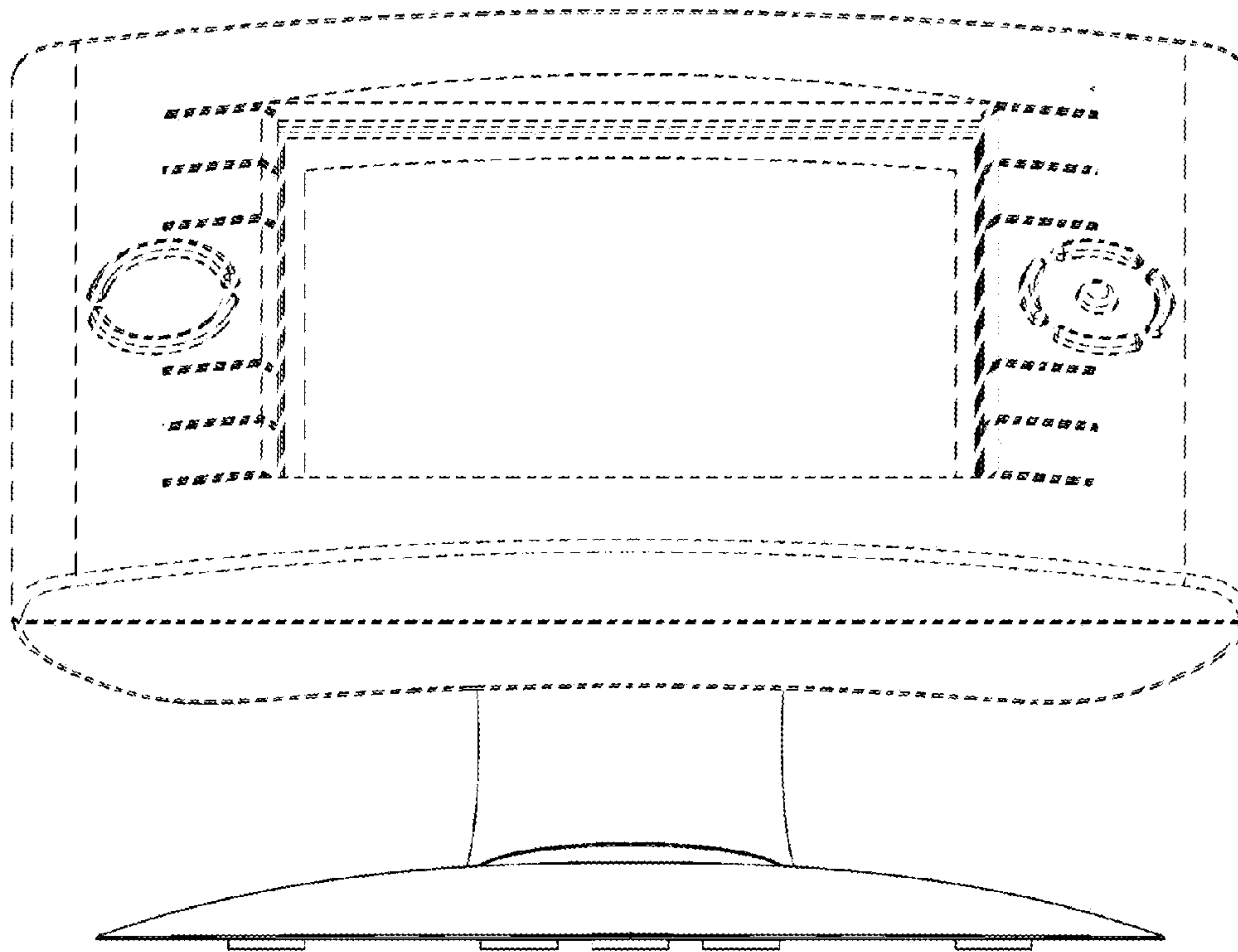


FIG. 5

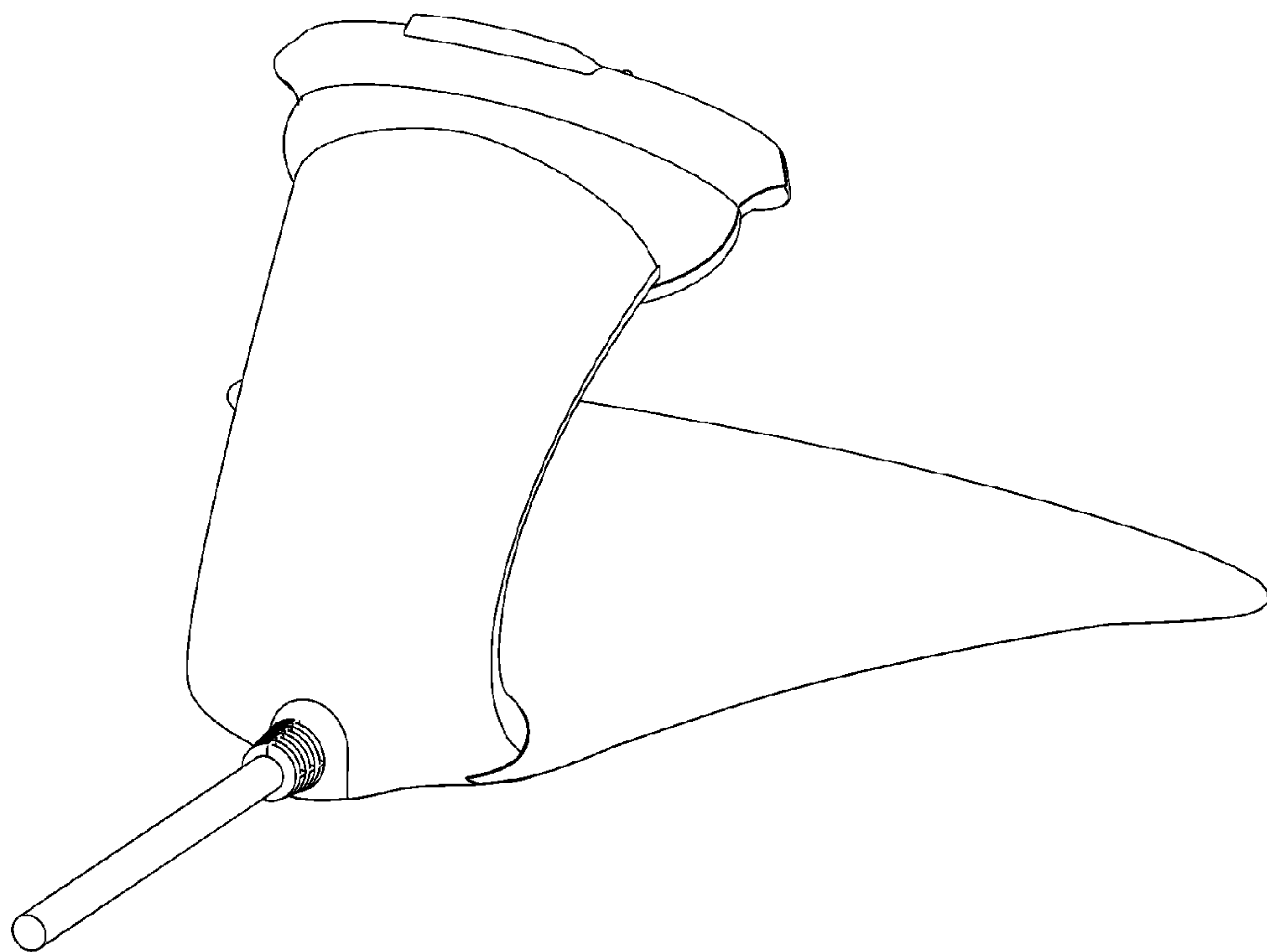


FIG. 6

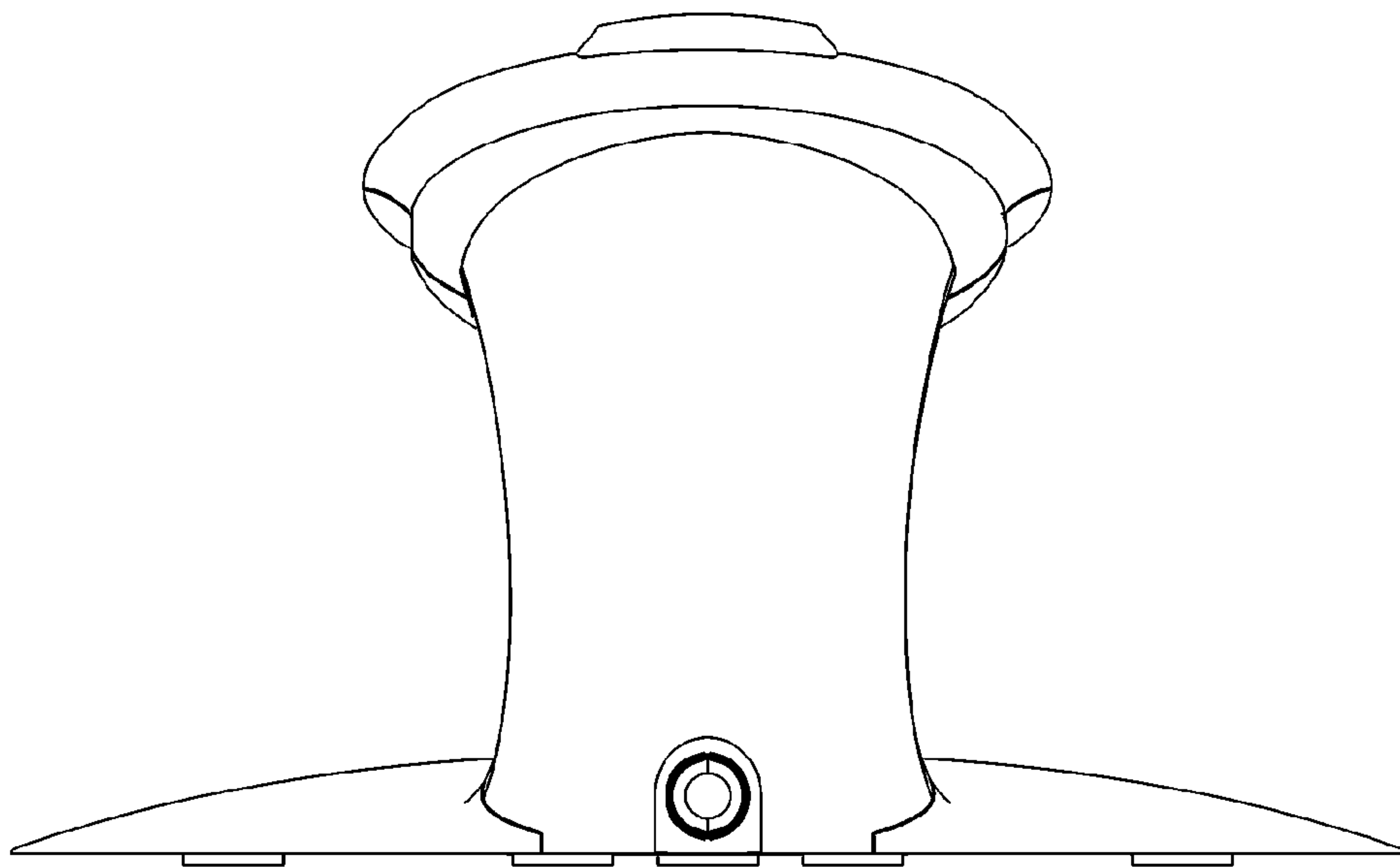


FIG. 7

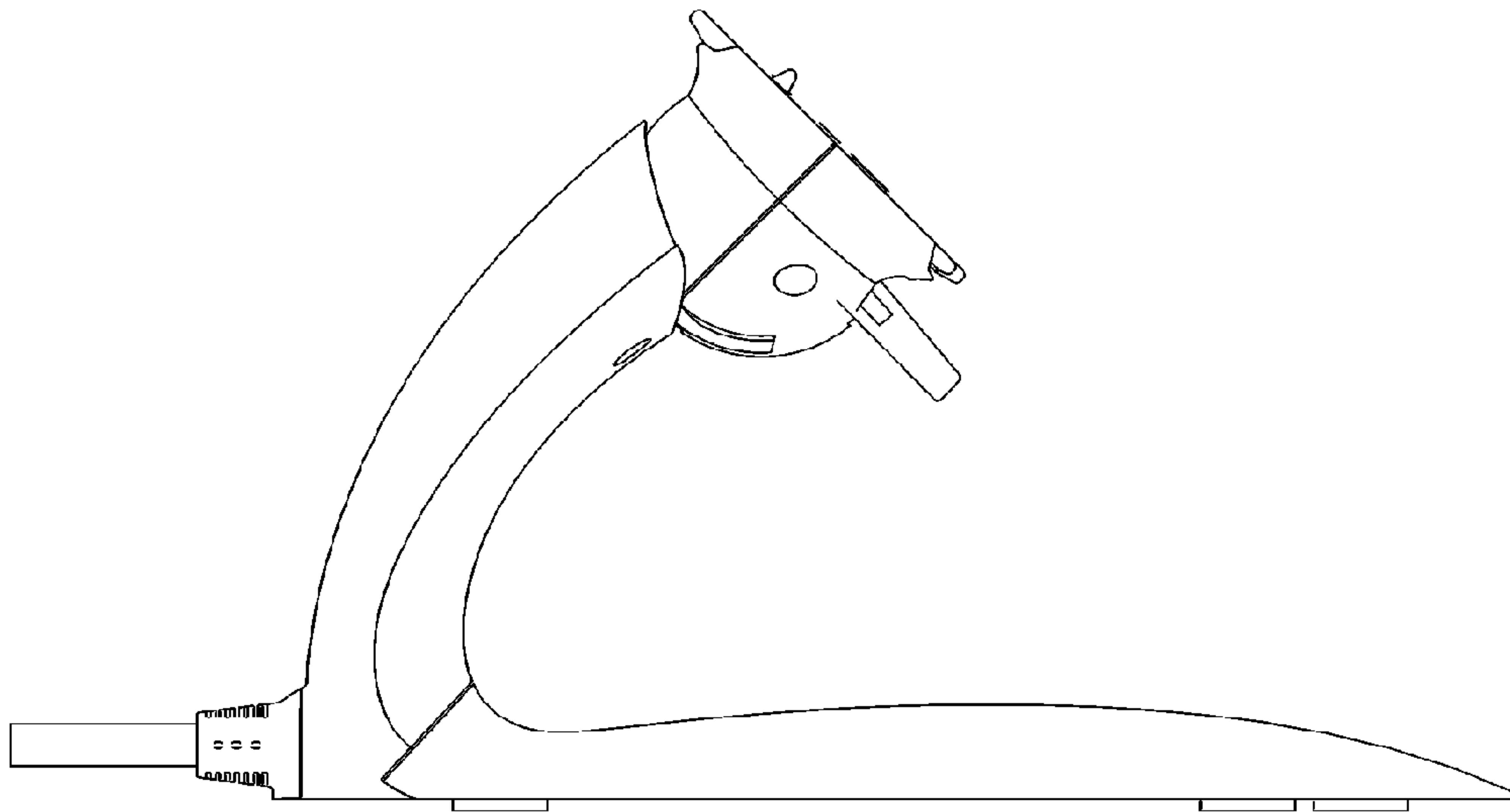


FIG. 8

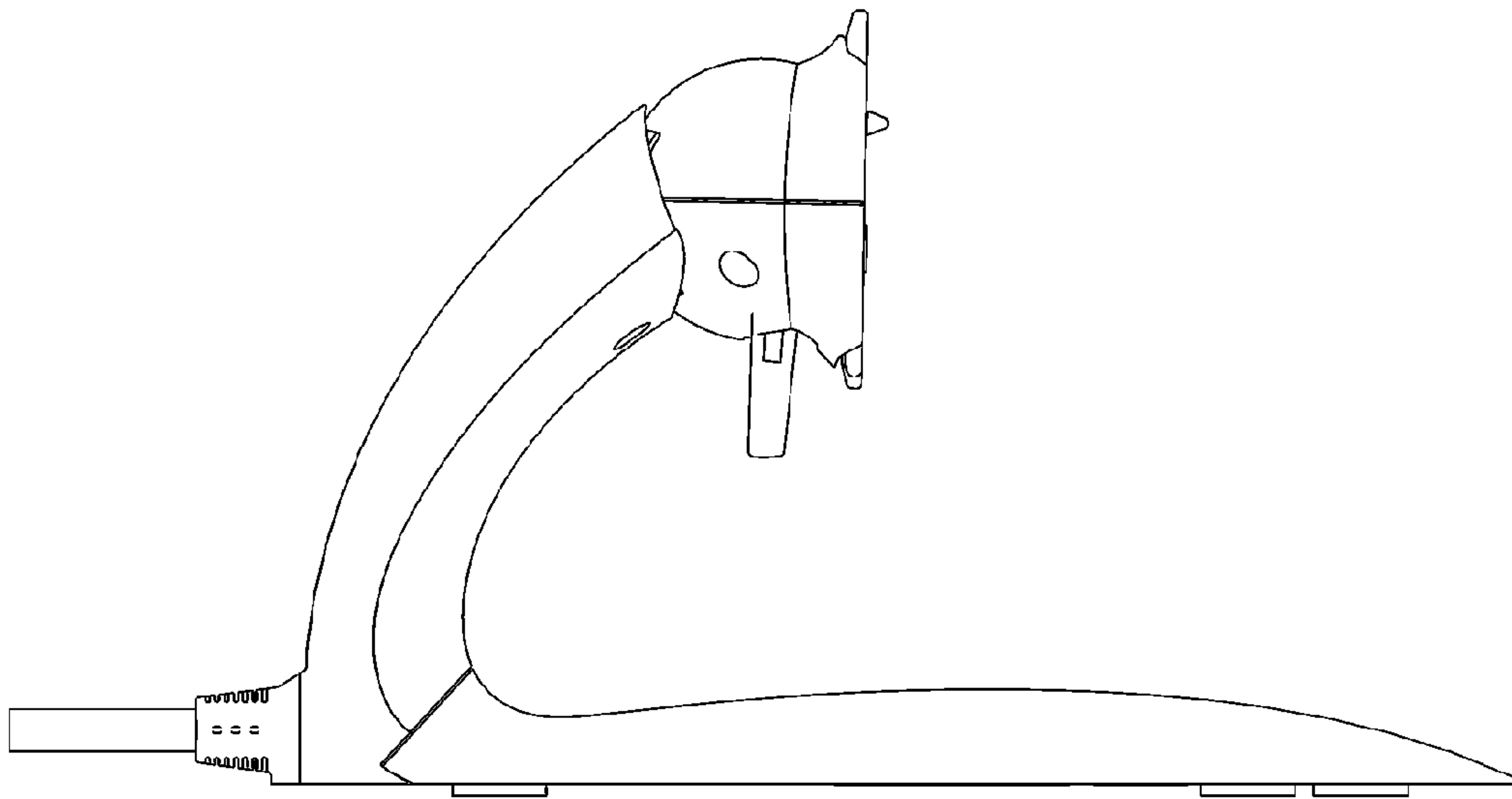


FIG. 9

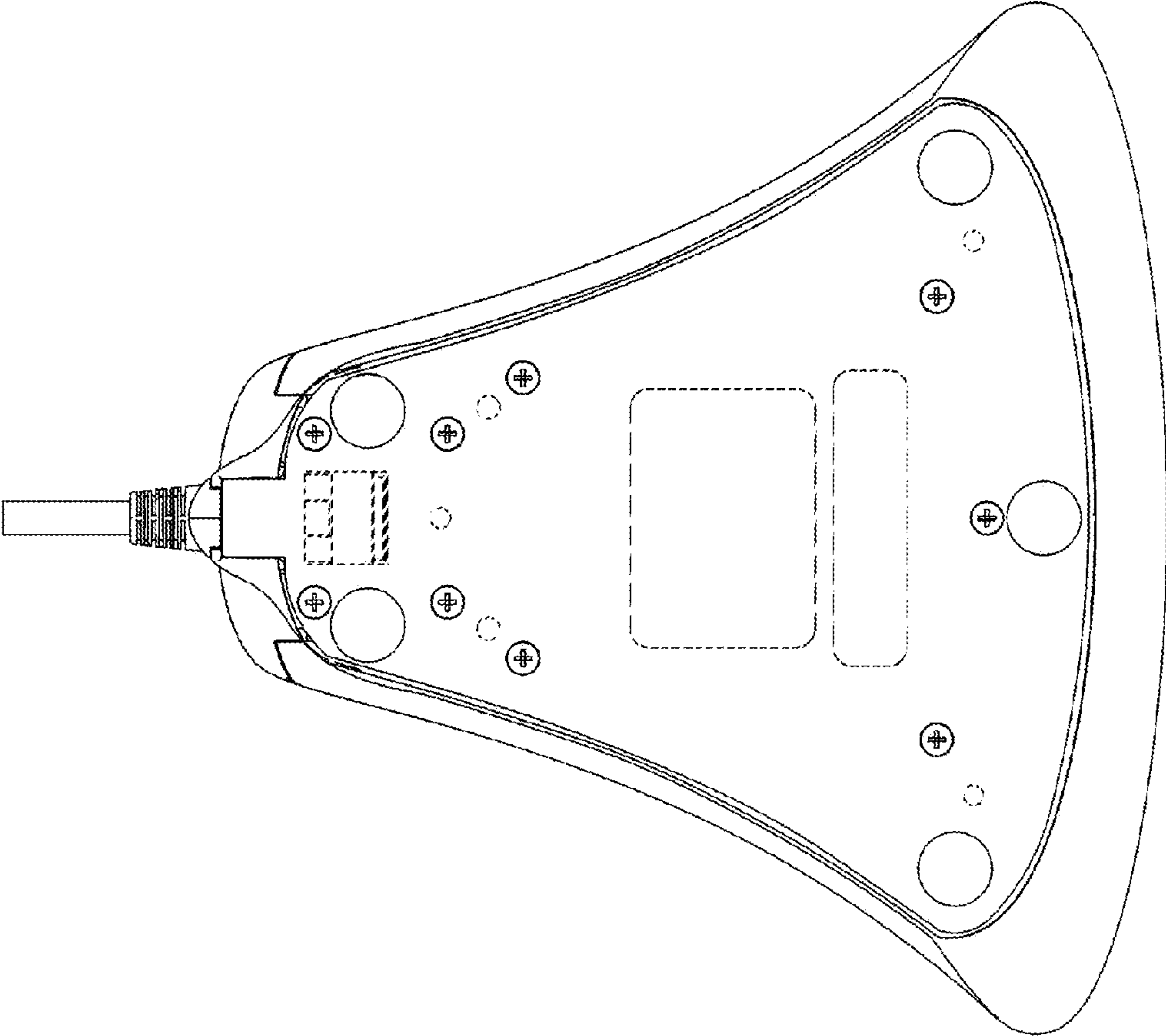


FIG. 10