



US00D607842S

(12) **United States Design Patent**
Rinna

(10) **Patent No.:** **US D607,842 S**
(45) **Date of Patent:** **** *Jan. 12, 2010**

(54) **ELECTRIC SWITCH**

(75) Inventor: **Eddy Rinna**, Bowden (AU)

(73) Assignee: **Clipsal Australia Pty Ltd**, South Australia (AU)

(*) Notice: This patent is subject to a terminal disclaimer.

(**) Term: **14 Years**

(21) Appl. No.: **29/294,871**

(22) Filed: **Jan. 29, 2008**

(30) **Foreign Application Priority Data**

Jul. 30, 2007 (AU) 316502

(51) **LOC (9) Cl.** **13-03**

(52) **U.S. Cl.** **D13/162**

(58) **Field of Classification Search** D13/162,
D13/164, 170, 171, 184, 199; 174/66; 200/5 R,
200/5 A, 1 B, 293, 296, 329, 406, 513, 520,
200/530, 302.1, 302.2, 314, 315, 341, 344;
315/291-296; 338/198-200; D10/108, 116,
D10/118; D8/353

See application file for complete search history.

(56) **References Cited**

U.S. PATENT DOCUMENTS

D331,741 S * 12/1992 Fujiyoshi D13/169

D331,742 S * 12/1992 Fujiyoshi D13/169
D558,686 S * 1/2008 Bhate et al. D13/162
D573,955 S * 7/2008 Bhate et al. D13/162
D584,243 S * 1/2009 Rinna D13/169
D585,844 S * 2/2009 Bhate et al. D13/173
D586,762 S * 2/2009 Nichols et al. D13/171
D587,214 S * 2/2009 Nichols et al. D13/171
D592,607 S * 5/2009 Felegy et al. D13/168

* cited by examiner

Primary Examiner—Daniel D Bui

Assistant Examiner—Thomas J Johannes

(74) *Attorney, Agent, or Firm*—Klauber & Jackson LLC

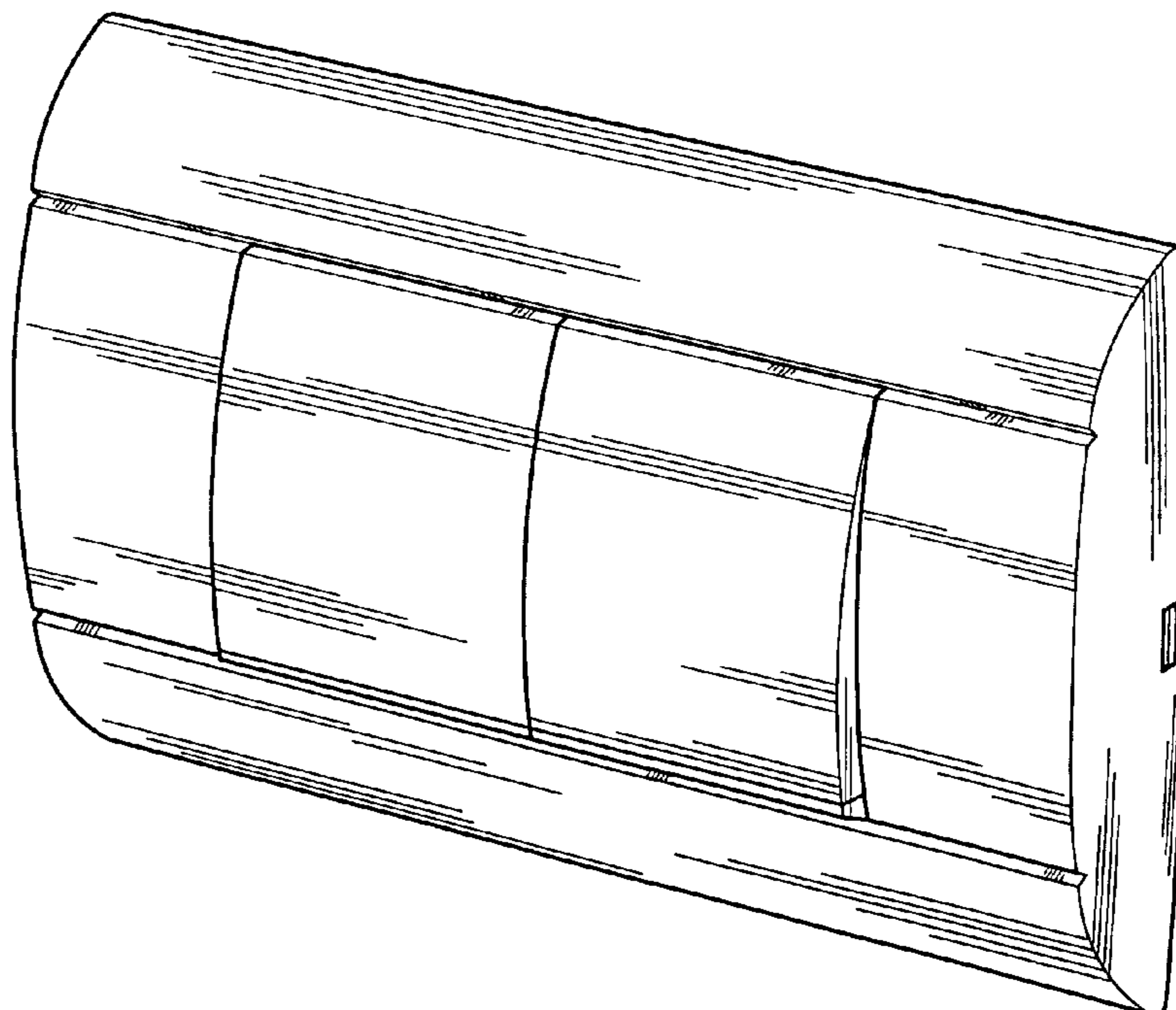
(57) **CLAIM**

The ornamental design for an electric switch, as shown and described.

DESCRIPTION

FIG. 1 is a front view of an electric switch of my new design; FIG. 2 is a right side view thereof, the left side being the mirror image thereof; and, FIG. 3 is a perspective view thereof.

1 Claim, 1 Drawing Sheet



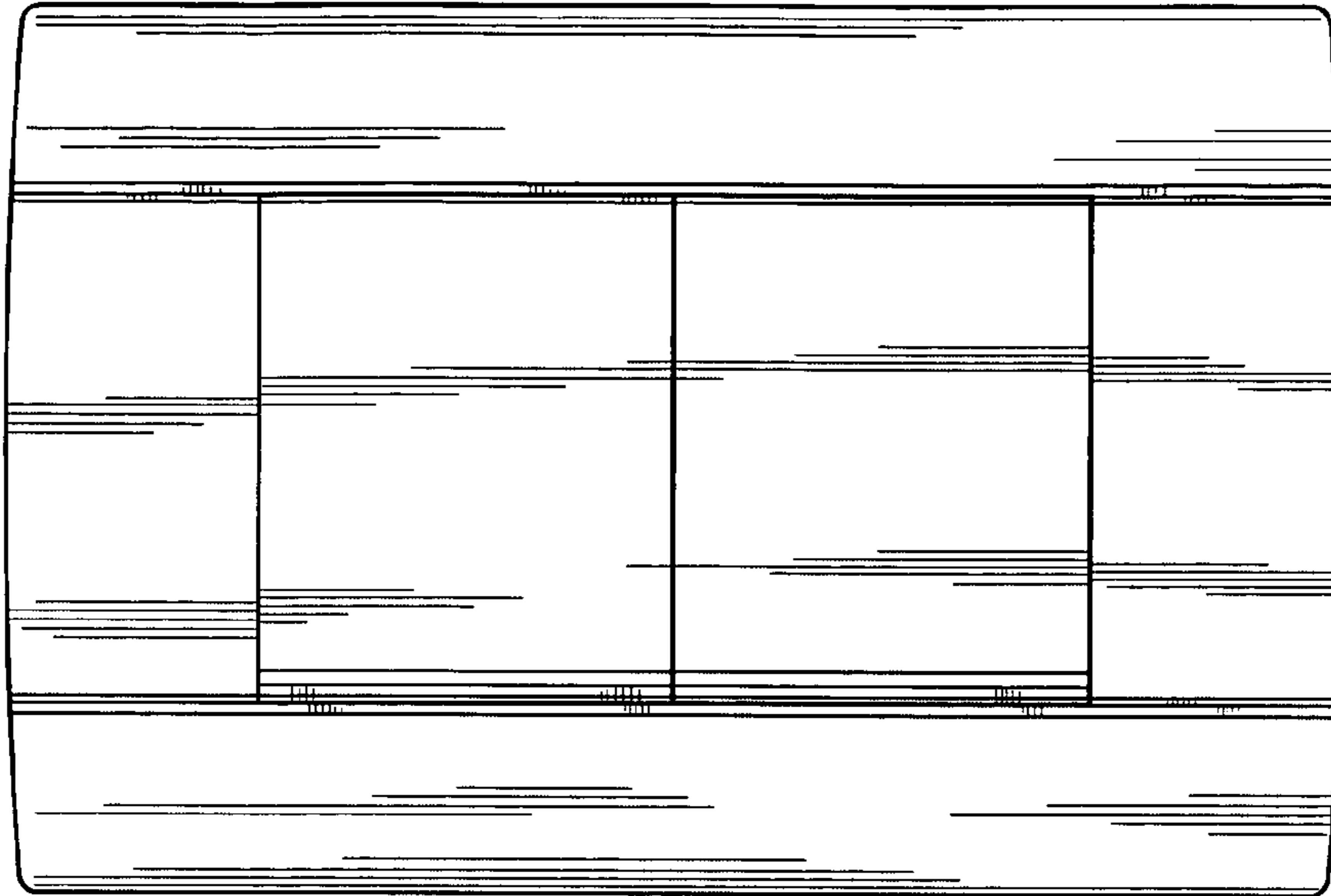


Fig 1

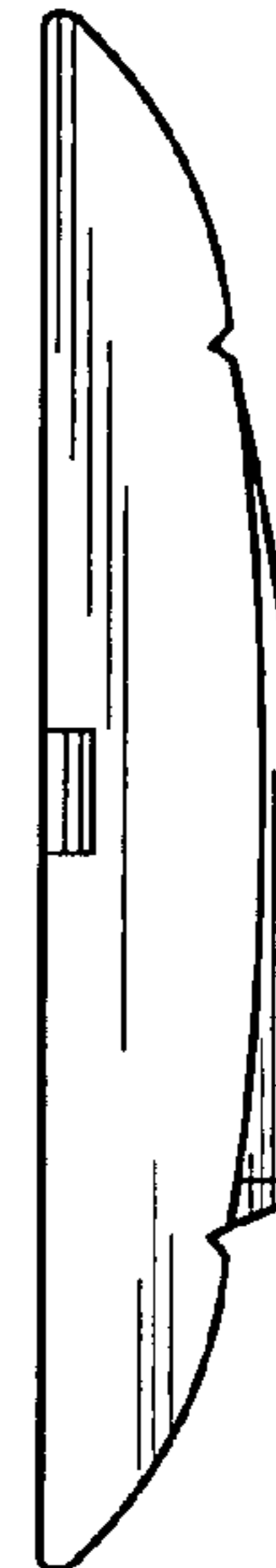


Fig 2

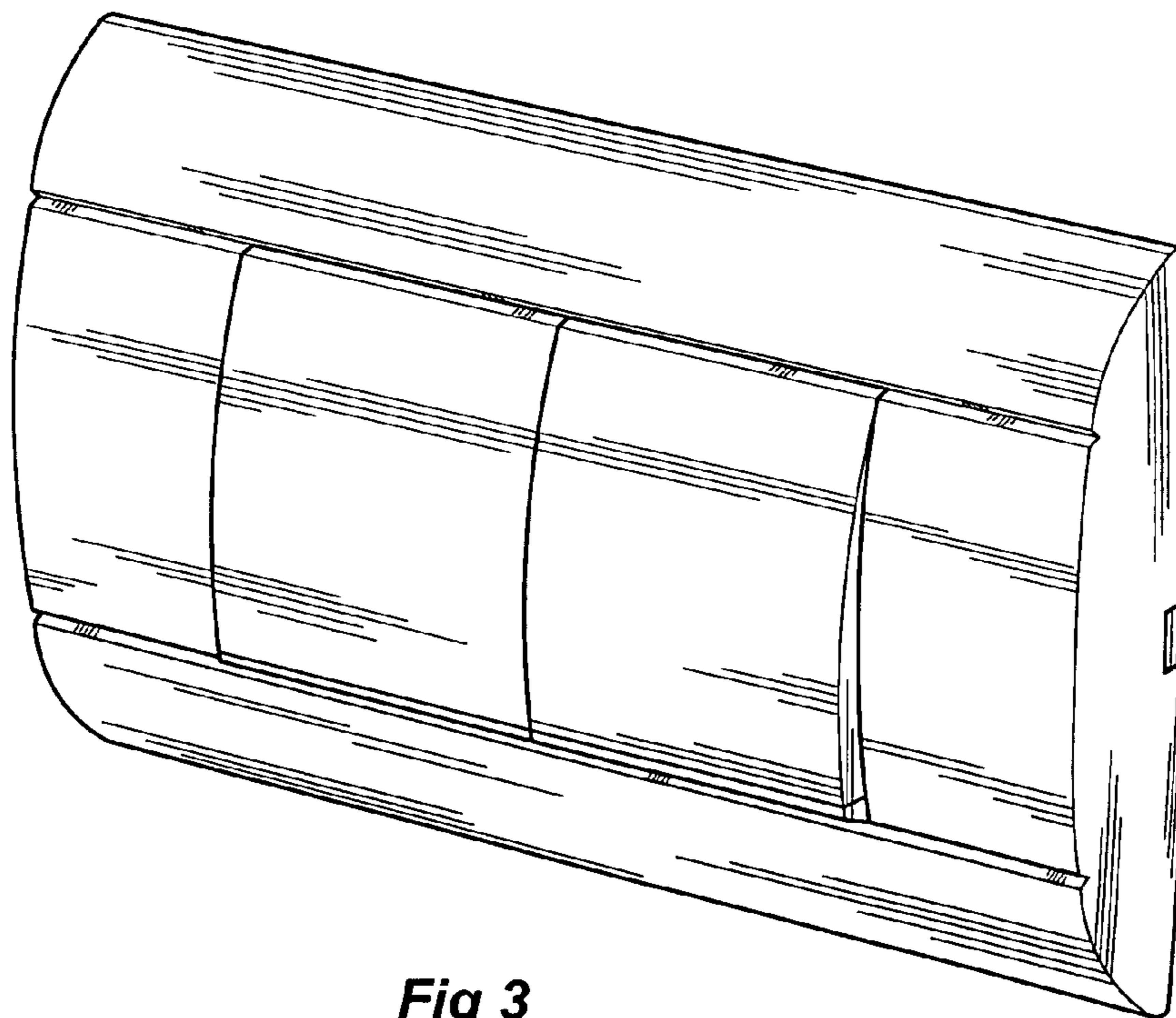


Fig 3