



US00D607841S

(12) **United States Design Patent**
Kudou et al.

(10) **Patent No.:** **US D607,841 S**
(45) **Date of Patent:** **** Jan. 12, 2010**

(54) **FUSE**

(75) Inventors: **Toshiharu Kudou**, Makinohara (JP);
Kenya Takii, Makinohara (JP)

(73) Assignee: **Yazaki Corporation**, Tokyo (JP)

(**) Term: **14 Years**

(21) Appl. No.: **29/311,211**

(22) Filed: **Jan. 16, 2009**

(30) **Foreign Application Priority Data**

Aug. 8, 2008 (JP) D2008-020644

(51) **LOC (9) Cl.** **13-03**

(52) **U.S. Cl.** **D13/161**

(58) **Field of Classification Search** D13/133,
D13/146, 147, 153, 154, 160, 161, 184, 199;
439/606, 638, 668, 669, 701, 740; D3/215,
D3/218; D14/188, 226, 251, 256, 496, 217,
D14/223

See application file for complete search history.

(56) **References Cited**

U.S. PATENT DOCUMENTS

D368,072 S * 3/1996 Hanazaki et al. D13/161
D373,570 S * 9/1996 Kudo et al. D13/161
D555,600 S * 11/2007 Ohta D13/161

FOREIGN PATENT DOCUMENTS

JP 1131402 1/2002
JP 1176997 6/2003

* cited by examiner

Primary Examiner—Daniel D Bui

Assistant Examiner—Thomas J Johannes

(74) *Attorney, Agent, or Firm*—Finnegan, Henderson,
Farabow, Garrett & Dunner, LLP

(57) **CLAIM**

The ornamental design for a fuse, as shown and described.

DESCRIPTION

FIG. 1 is a perspective view of a fuse showing the surface configuration of the top cover;

FIG. 2 is a front view thereof;

FIG. 3 is a rear view thereof;

FIG. 4 is a top plan view thereof showing the surface configuration of the top cover;

FIG. 5 is a bottom plan view thereof;

FIG. 6 is a right side view thereof;

FIG. 7 is a left side view thereof; and,

FIG. 8 is an exploded perspective view thereof.

1 Claim, 6 Drawing Sheets

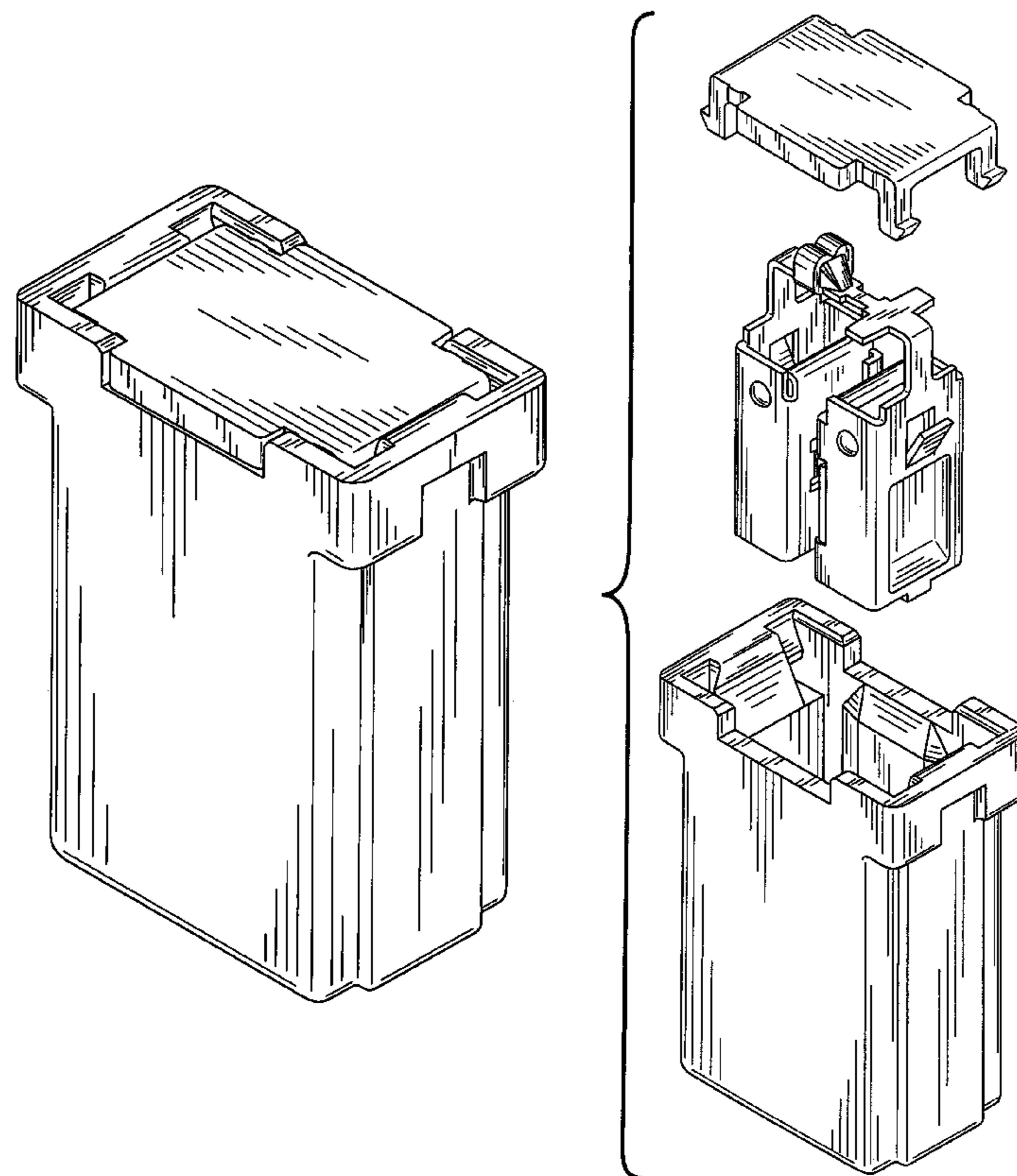


Fig.1

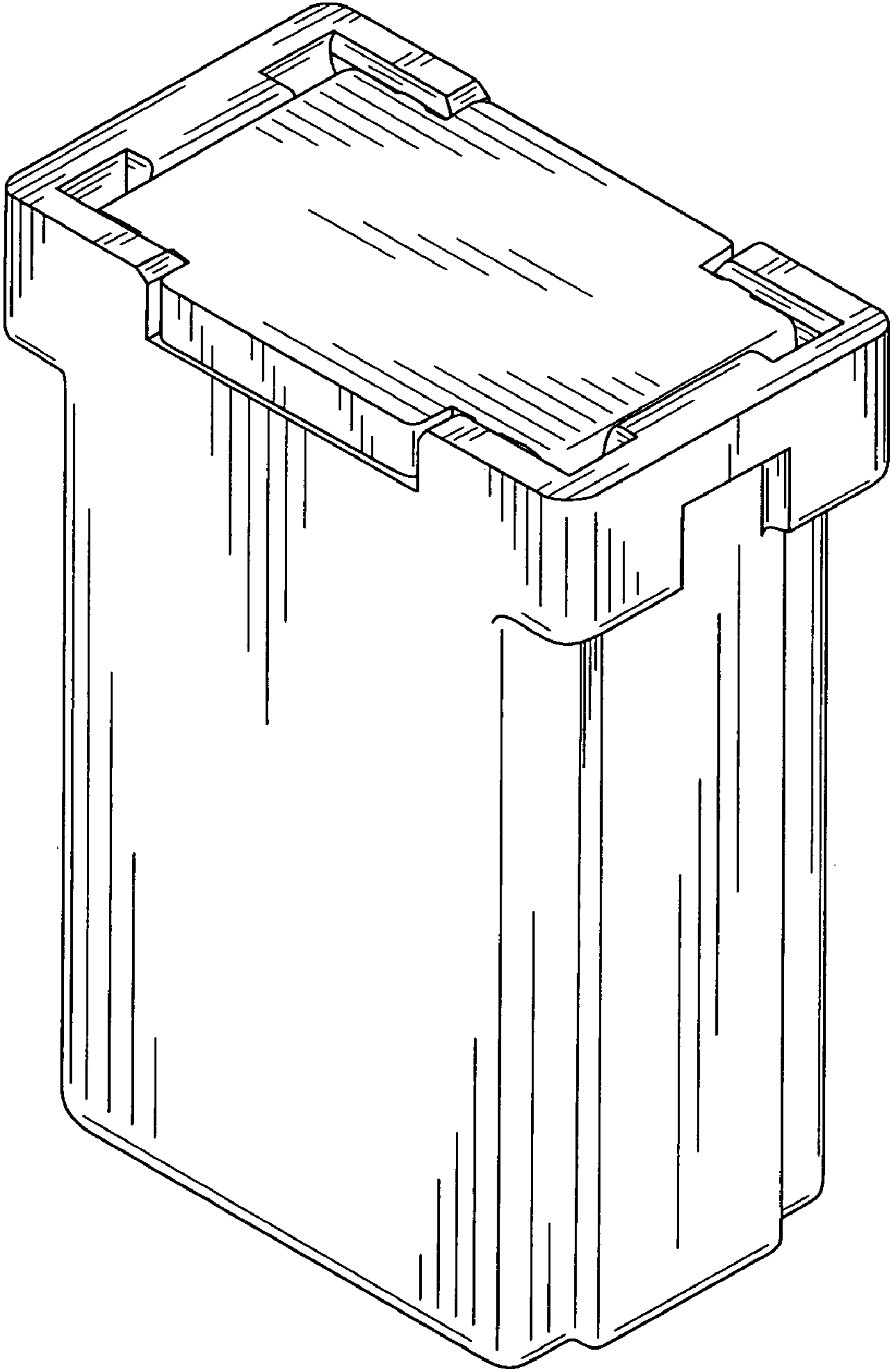


Fig.2

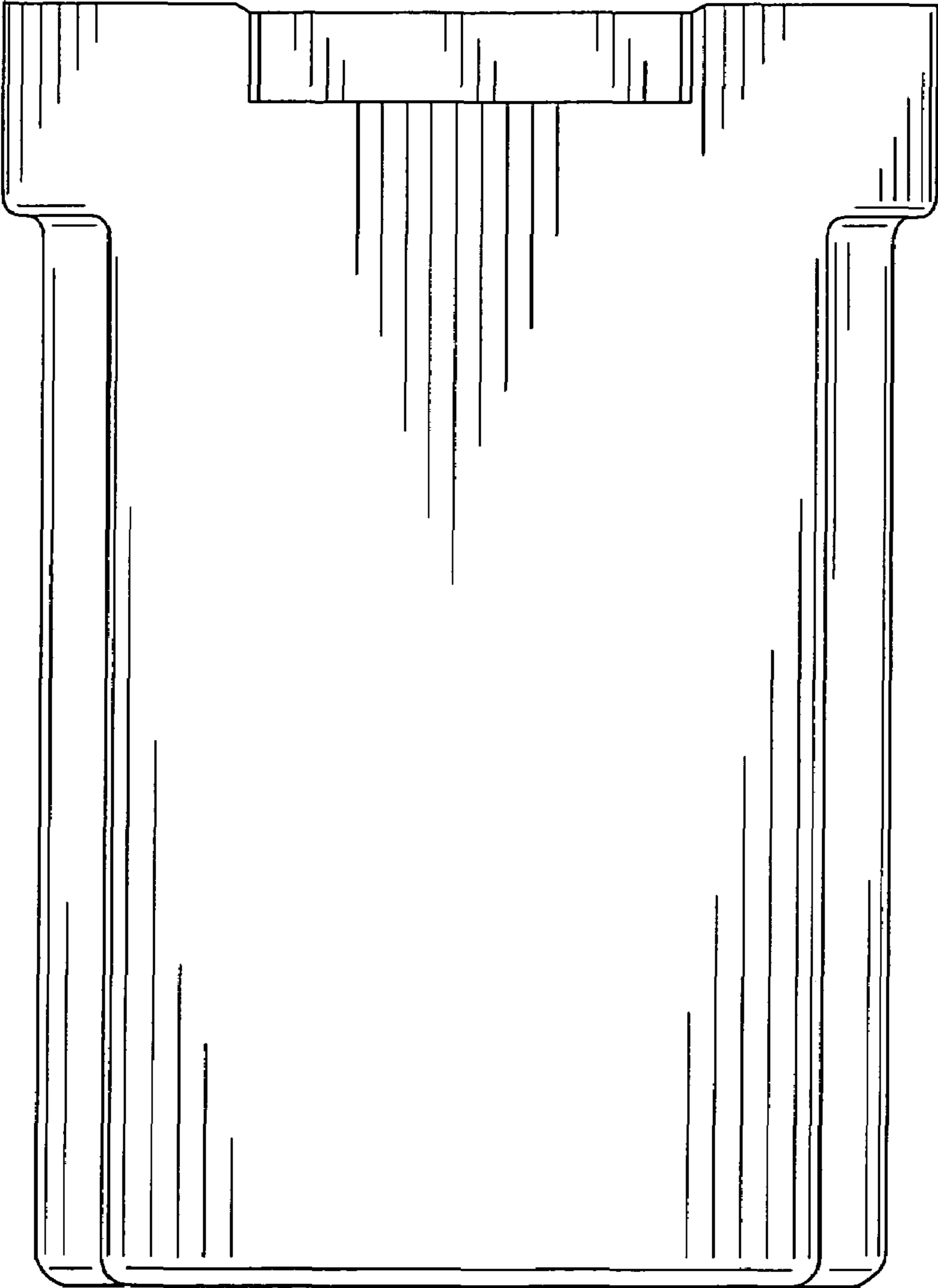


Fig.3

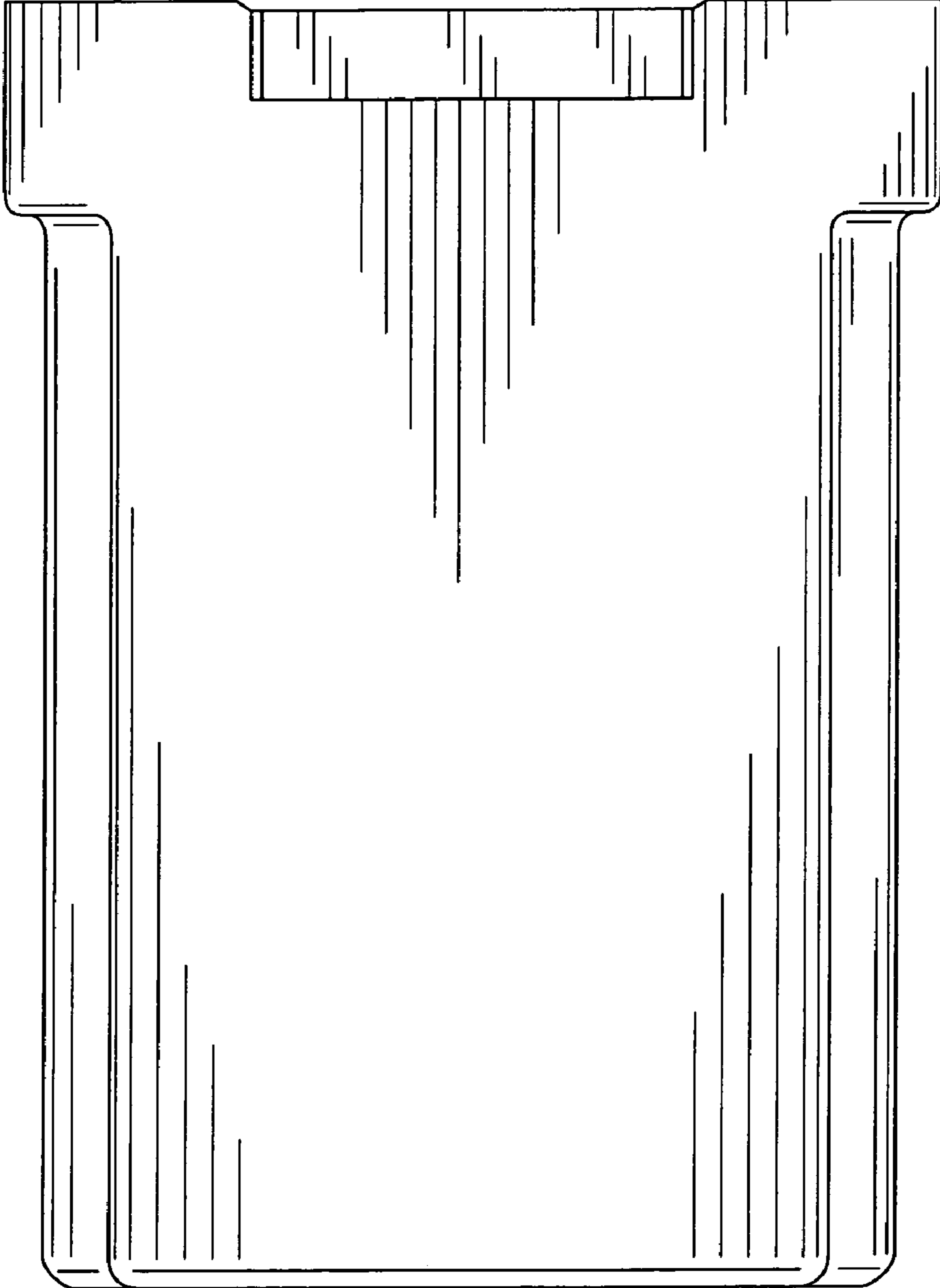


Fig.4

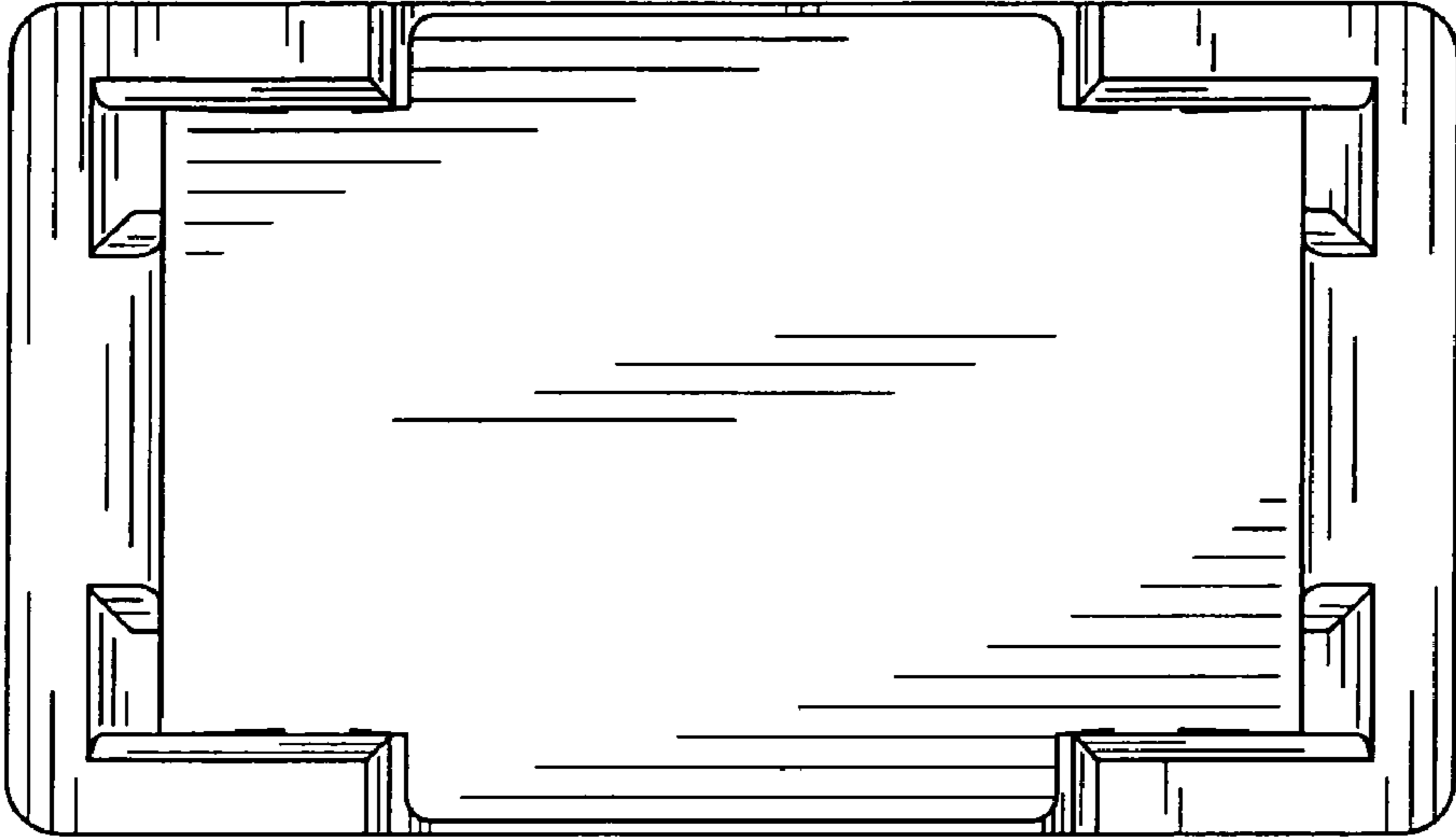


Fig.5

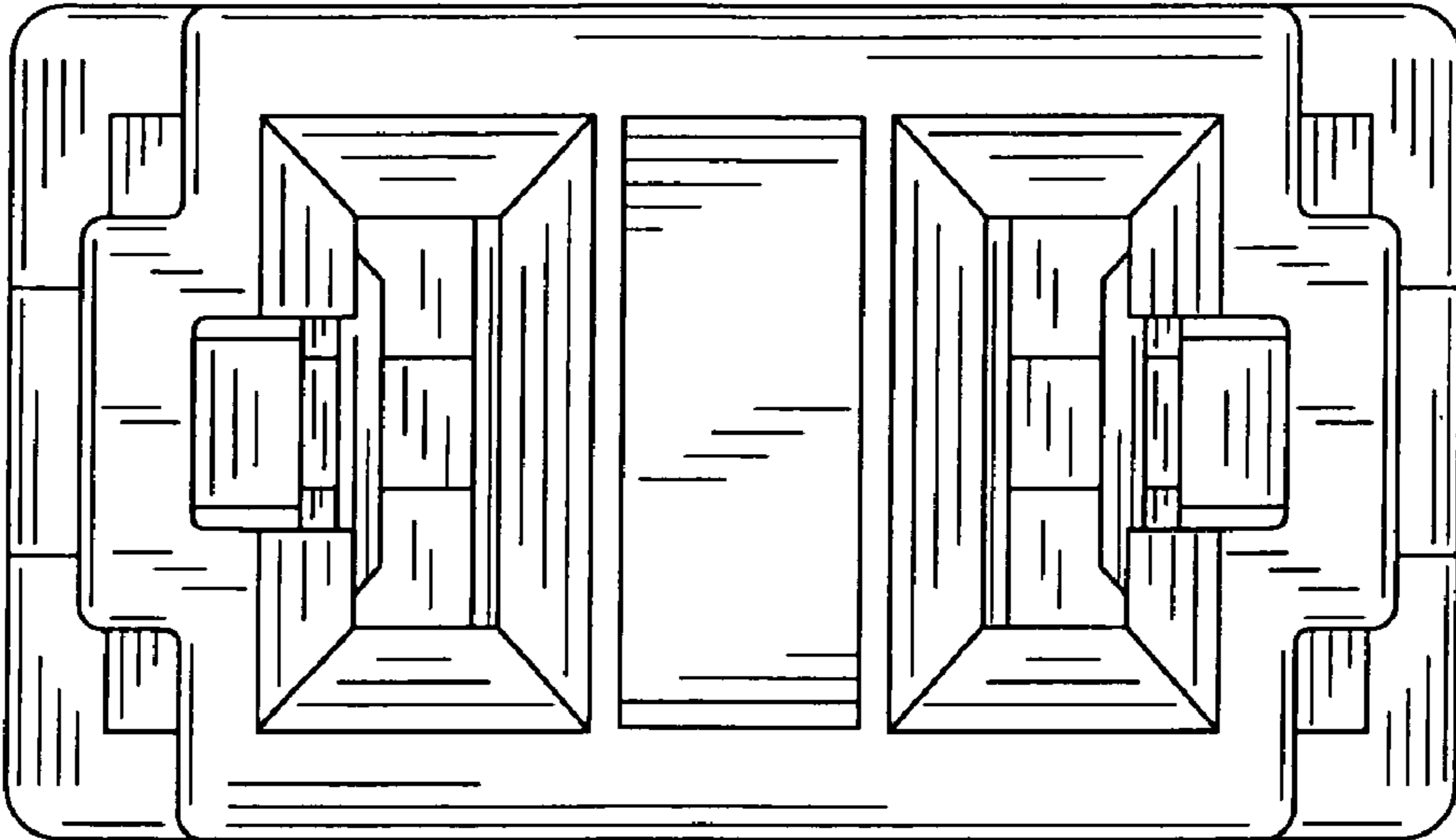


Fig.6

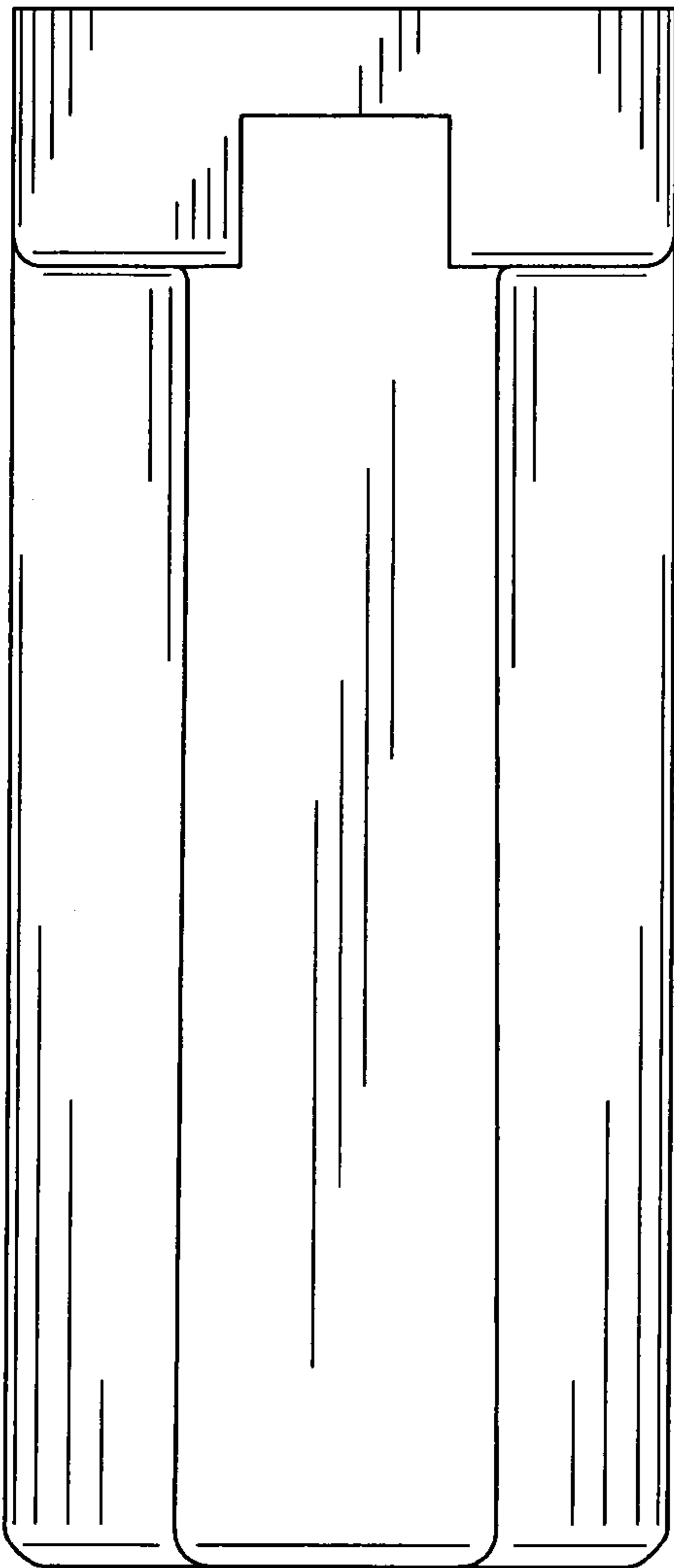


Fig.7

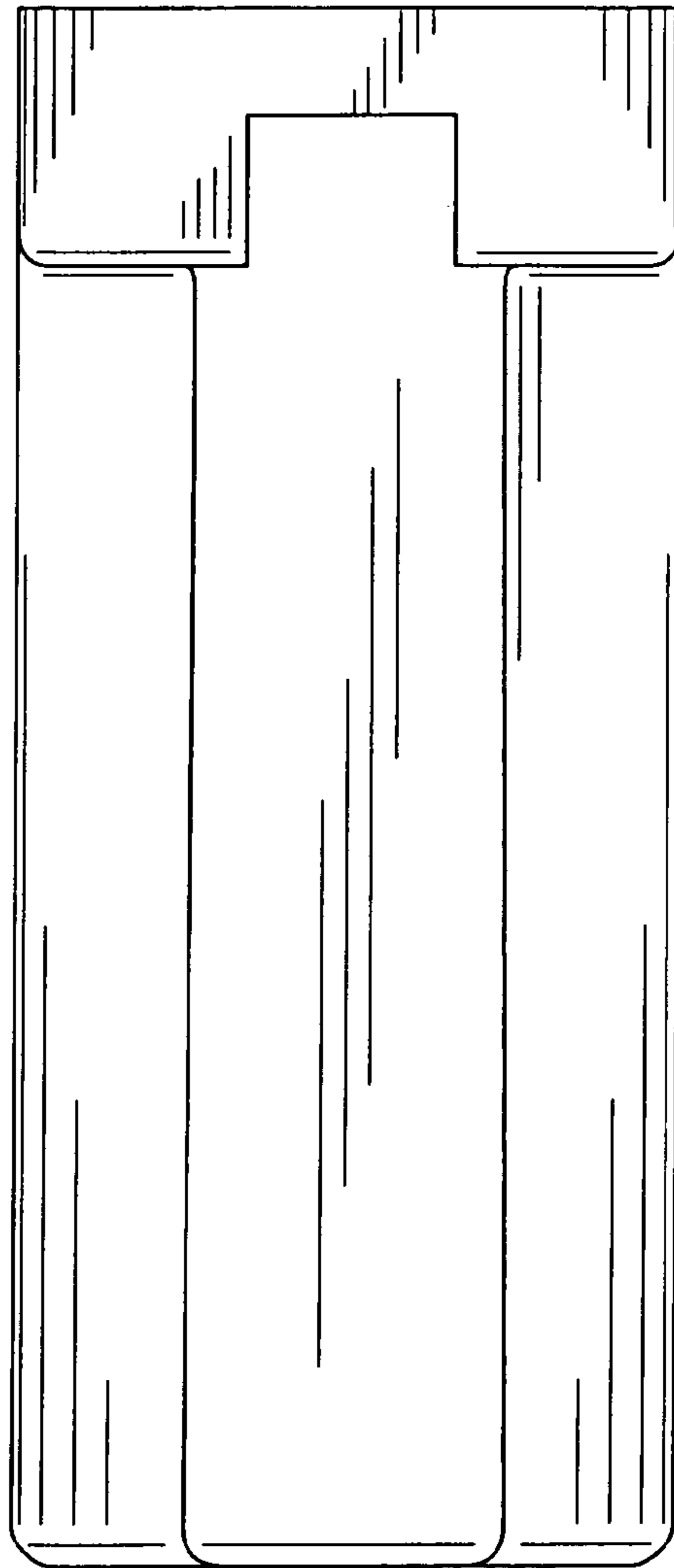


Fig.8

